



ADVANCE PRODUCT SERVICE INFORMATION

INFORMATION BULLETIN #16

DATE 7/96

SUBJECT: CARBURETION – Pulsa-Prime Diaphragm Tightening Sequence

FILE IN: MS-4750

Sec. No. 3

MODEL SERIES: 95900, 96900, 98900, 10A900, 10B900, 10C900

Dated Nov. 94

The following information will be added to MS-4750 and 270962 during the next revision.

During routine service and to assure that the Pulsa-Prime carburetor diaphragm seals properly, it is recommended that the carburetor mounting screws be tightened in the following sequence, Fig. 1. While tightening screws, be sure that throttle shaft is held in wide open position.

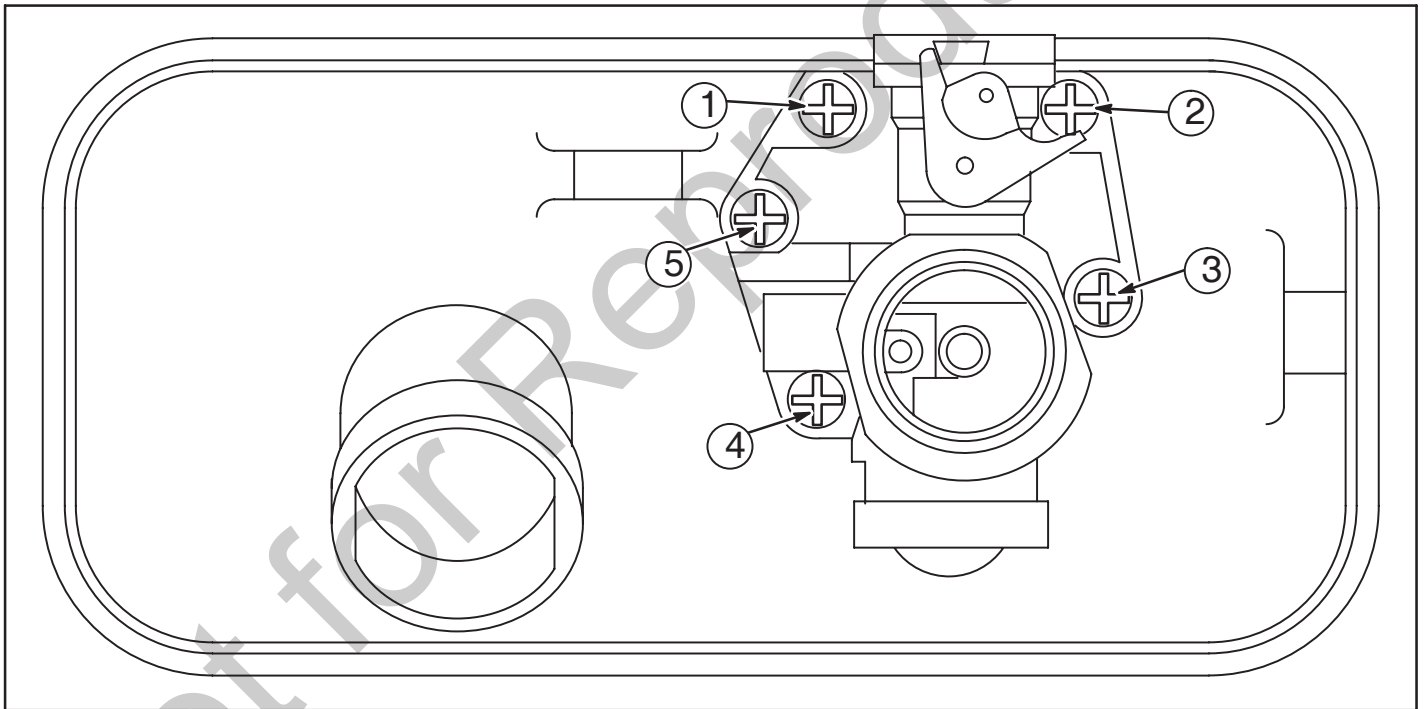


Fig. 1 - Screw Tightening Sequence

After screws are tightened to 15 in. lbs. (17Kgcm) (1.7 Nm), push down on throttle shaft and rotate shaft to closed throttle position. This will properly position the throttle plate.