



**084300**

# Illustrated Parts List

## Model Series

# 084300

TYPE NUMBERS  
0130, 0197, 0199.

### TABLE OF CONTENTS

**Blower Housing/Shrouds** ..... 5

**Carburetor** ..... 3

**Crankcase Cover/Sump** ..... 2

**Crankshaft** ..... 2

**Cylinder Head** ..... 2

**Electric Start** ..... 5

**Flywheel** ..... 5

**Governor Spring** ..... 4

**Ignition** ..... 4

**IntakeManifold** ..... 3

**Kit-Carburetor Overhaul** ..... 3

**Muffler** ..... 4

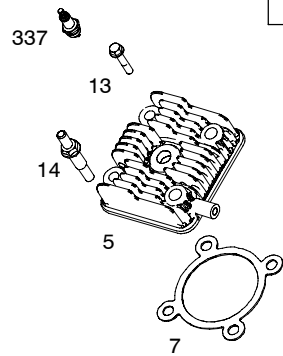
**Piston, Rings, Connecting Rod** ..... 2

**Rewind Starter** ..... 5

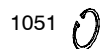
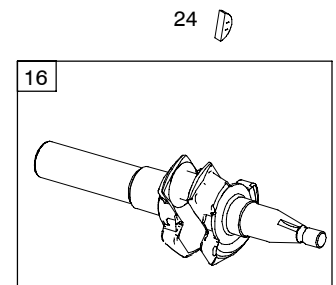
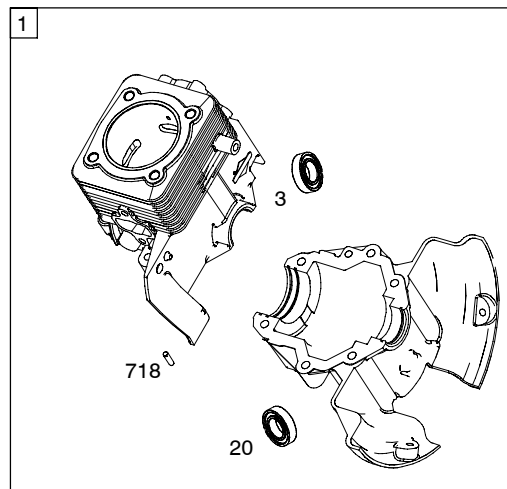
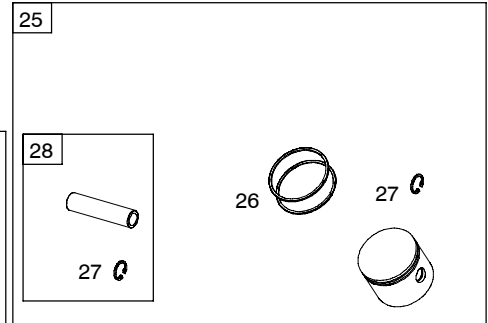
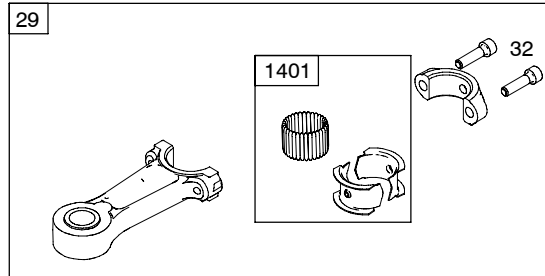
PRINTED IN U.S.A.



COPYRIGHT by BRIGGS & STRATTON CORPORATION  
All rights reserved. No part of this material may be reproduced or transmitted, in any form or by any means, electronic or mechanical, including photocopying, recording or by any information storage and retrieval system, without permission in writing from Briggs & Stratton Corporation.

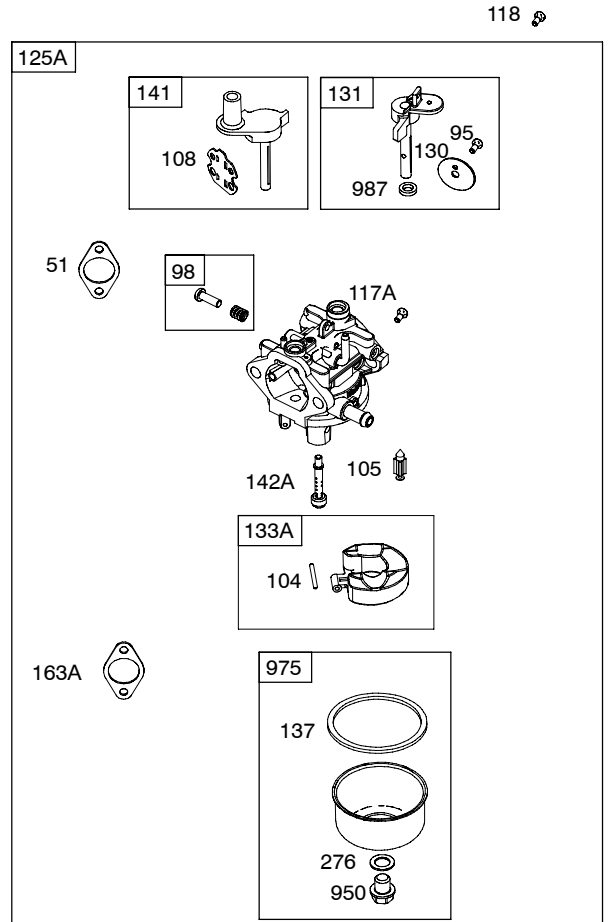
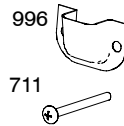
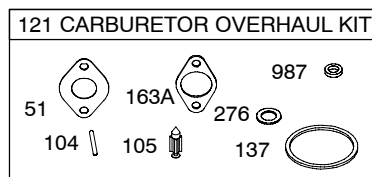
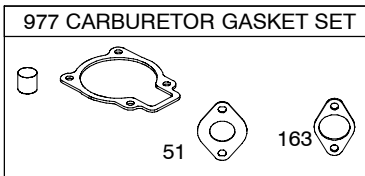
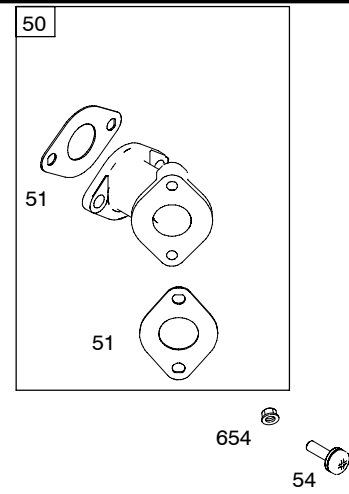
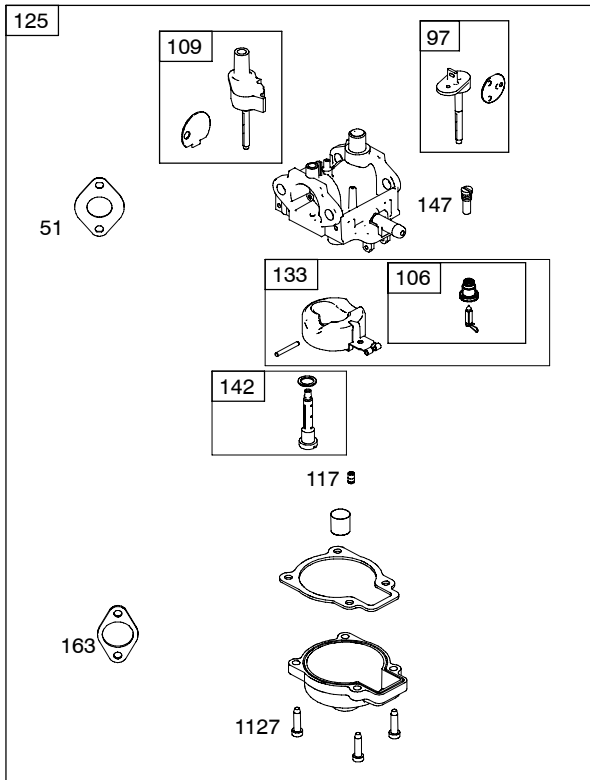


1036 EMISSIONS LABEL



● Included in Carburetor Overhaul Kit-Ref. No. 121.

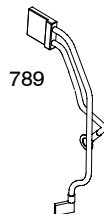
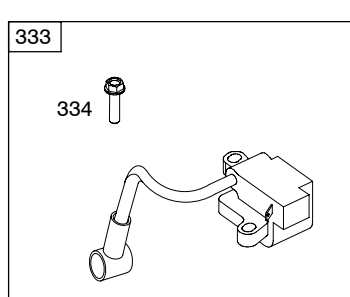
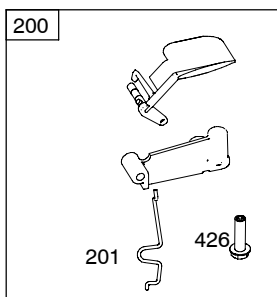
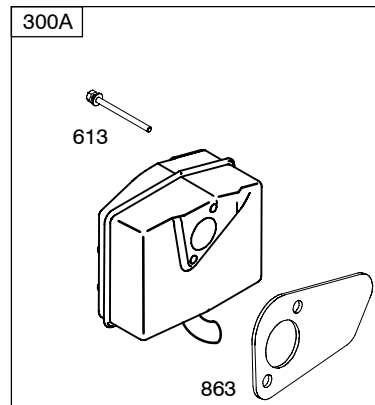
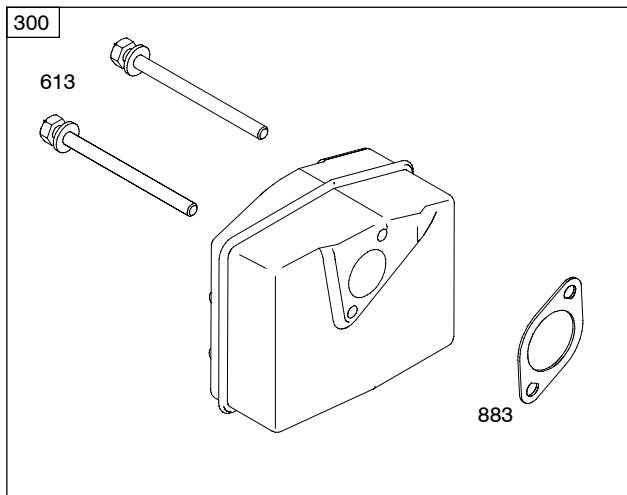
◆ Included in Carburetor Gasket Set-Ref. No. 977.



● Included in Carburetor Overhaul Kit-Ref. No. 121.

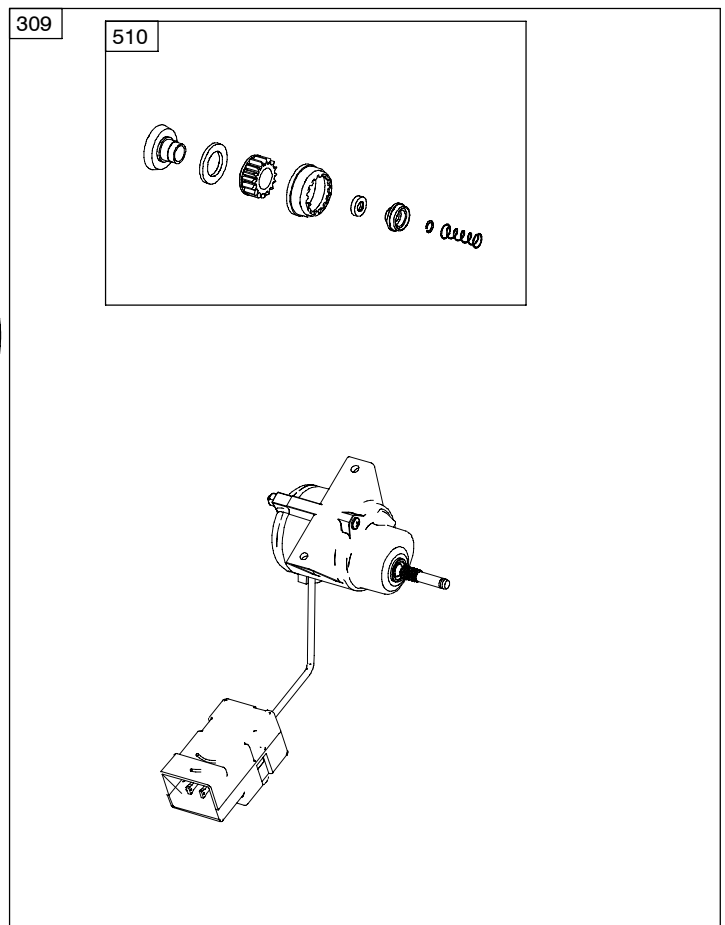
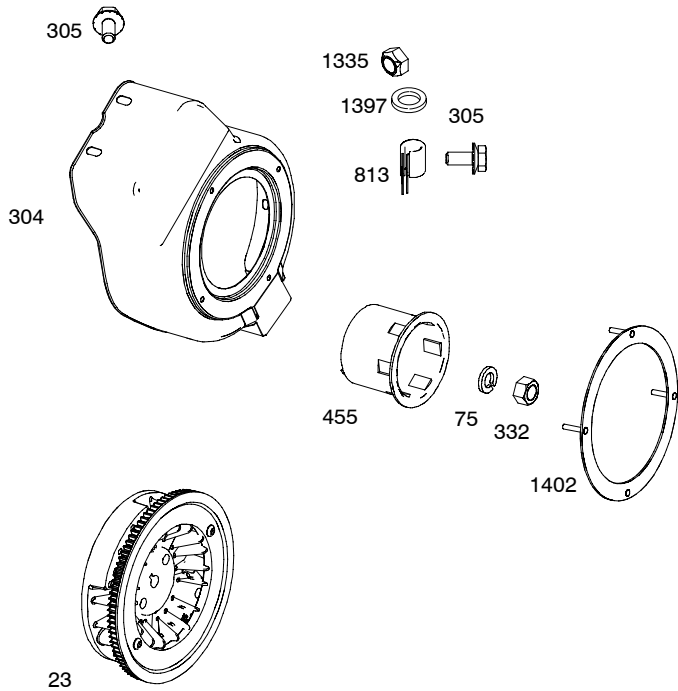
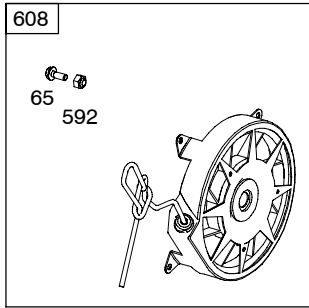
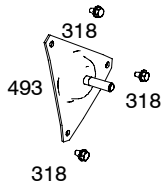
◆ Included in Carburetor Gasket Set-Ref. No. 977.

# 084300



● Included in Carburetor Overhaul Kit-Ref. No. 121.

◆ Included in Carburetor Gasket Set-Ref. No. 977.



● Included in Carburetor Overhaul Kit-Ref. No. 121.

◆ Included in Carburetor Gasket Set-Ref. No. 977.

# 084300

REF. NO.	PART NO.	DESCRIPTION	REF. NO.	PART NO.	DESCRIPTION	REF. NO.	PART NO.	DESCRIPTION
1	801273	Cylinder Assembly (Boost, Rewind Start) ----- <b>Note</b> ----- <b>801321</b> Cylinder Assembly (Boost, Electric Start) Used on Type No(s). 0197, 0199.	75	801237	Washer (Flywheel)	125	801255	Carburetor (Used Before Code Date 06060700).
			95	801415	Screw (Throttle Valve) (Used After Code Date 06060600).	125A	801396	Carburetor (Used After Code Date 06060600).
3	801262	Seal-Oil (Magneto Side)	97	801306	Shaft-Throttle (Used Before Code Date 06060700).	130	801414	Valve-Throttle (Used After Code Date 06060600).
5	801283	Head-Cylinder	98	801419	Kit-Idle Speed (Used After Code Date 06060600).	131	801417	Kit-Throttle Shaft (Used After Code Date 06060600).
7	801263	Gasket-Cylinder Head	104	●691242	Pin-Float Hinge (Used After Code Date 06060600).	133	801316	Float-Carburetor (Used Before Code Date 06060700).
13	801264	Screw (Cylinder Head)	105	●801423	Valve-Float Needle (Used After Code Date 06060600).	133A	801422	Float-Carburetor (Used After Code Date 06060700).
14	801265	Stud (Cylinder Head)	106	801317	Seat-Inlet (Used Before Code Date 06060700).	137	●693981	Gasket-Float Bowl (Used After Code Date 06060600).
16	801221	Crankshaft ----- <b>Note</b> ----- <b>801222</b> Crankshaft Used on Type No(s). 0197.	108	801413	Valve-Choke (Used After Code Date 06060600).	141	801418	Kit-Choke Shaft (Used After Code Date 06060600).
20	801261	Seal-Oil (PTO Side)	109	801311	Shaft-Choke (Used Before Code Date 06060700).	142	801313	Nozzle-Carburetor (Used Before Code Date 06060700).
22	801266	Screw (Crankcase Cover/ Sump)	117	801310	Jet-Main (Standard) (Used Before Code Date 06060700).	142A	801424	Nozzle-Carburetor (Used After Code Date 06060600).
22A	801271	Screw (Crankcase Cover/ Sump)	117A	801425	Jet-Main (Used After Code Date 06060600).	147	801309	Jet-Pilot (Used Before Code Date 06060700).
23	801246	Flywheel	118	801426	Jet-Main (Used After Code Date 06060600).	163	◆801227	Gasket-Air Cleaner (Used Before Code Date 06060700).
24	801234	Key-Flywheel	121	801427	Kit-Carburetor Overhaul (Used After Code Date 06060600).	163A	●801397	Gasket-Air Cleaner (Used After Code Date 06060600).
25	801281	Piston Assembly				200	801289	Blade-Governor
26	801282	Ring Set				201	801225	Link-Air Vane
27	801275	Lock-Piston Pin				209	801223	Spring-Governor
28	801276	Pin-Piston				276	●692255	Washer-Sealing (Used After Code Date 06060600).
29	801277	Rod-Connecting						
32	801278	Screw (Connecting Rod)						
50	801232	Manifold-Intake						
51	◆801224	Gasket-Intake						
54	801230	Screw (Intake Manifold)						
65	801243	Screw (Rewind Starter)						

● Included in Carburetor Overhaul Kit-Ref. No. 121.

◆ Included in Carburetor Gasket Set-Ref. No. 977.

REF. NO.	PART NO.	DESCRIPTION	REF. NO.	PART NO.	DESCRIPTION	REF. NO.	PART NO.	DESCRIPTION
300	801250	Muffler	334	801267	Screw	883	801252	Gasket-Exhaust
300A	801258	Muffler Used on Type No(s). 0197.			(Magneto Armature)	950	801421	Screw-Float Bowl (Used After Code Date 06060600).
304	801257	Housing-Blower ----- <b>Note</b> ----- 801236 Housing- Blower Used on Type No(s). 0199. 801315 Housing- Blower Used on Type No(s). 0197.	337	801254	Plug-Spark	975	801420	Bowl-Float (Used After Code Date 06060600).
305	801239	Screw (Blower Housing)	426	801231	Screw (Governor Blade)	977	801312	Gasket Set-Carburetor (Used Before Code Date 06060700).
309	801410	Motor-Starter (Used After Code Date 06042400). ----- <b>Note</b> ----- 801247 Motor-Starter (Used Before Code Date 06042500).	455	801235	Cup-Flywheel	987	801416	Seal-Throttle Shaft (Used After Code Date 06060600).
318	801241	Screw	493	801240	Bracket-Mounting	996	801226	Shield-Carburetor
332	801238	Nut (Flywheel)	510	801293	Drive-Starter	1051	801274	Ring-Retaining
333	801268	Armature-Magneto	592	801244	Nut (Rewind Starter)	1036		Label-Emissions (Available from an Authorized Briggs and Stratton Service Dealer)
			608	801242	Starter-Rewind	1127	801318	Screw (Float Bowl) (Used Before Code Date 06060700).
			613	801251	Screw (Muffler)	1335	801269	Nut (Blower Housing)
			654	801324	Nut (Intake Manifold) (Used Before Code Date 05042600).	1397	801270	Washer (Blower Housing)
			697	801248	Screw (Starter Motor)	1401	801290	Roller-Strip
			711	801229	Screw (Carburetor Shield)	1402	801272	Ring-Support
			718	690959	Pin-Locating			
			780	801228	Anchor-Spring			
			789	801253	Wire Assembly			
			813	801249	Clamp			
			863	801259	Bracket-Muffler Used on Type No(s). 0197.			

● Included in Carburetor Overhaul Kit-Ref. No. 121.

◆ Included in Carburetor Gasket Set-Ref. No. 977.