

Safety Instructions & Operator's Manual for

SNAPPER®

- AUTOMATIC BLADE STOP
- SMOOTH START CLUTCH



REAR-ENGINE RIDING MOWERS

THANK YOU for buying a SNAPPER product. Before operating your mower, read and follow the Important Safety Instructions, the other instructions contained in this manual and the accompanying pamphlet, "About Power Mower Safety". Lawnmowers, and all power equipment, can be potentially dangerous if used improperly. This mower has the new Automatic Blade Stop and Smooth Start Clutch. These features are designed to provide some additional protection for people who operate the mower, however, serious injuries can still occur. REMEMBER: SAFETY REQUIRES CAREFUL USE IN ACCORDANCE WITH INSTRUCTIONS, AND COMMON SENSE.

IMPORTANT SAFETY INSTRUCTIONS

WARNING: This powerful cutting machine is capable of amputating hands and feet and can throw objects that can cause injury and damage! Failure to observe the following safety instructions could result in serious injury. Carefully read this manual and question your dealer if something is not clear. Should the dealer be unable to answer to your satisfaction, write or call the Customer Service Department at SNAPPER Power Equipment, McDonough, Georgia 30253 (phone 404-957-9141).

PROTECTION FOR CHILDREN

1. DO NOT allow children in yard when mower is operated.
2. DO NOT allow children to ride on mower or attachments.
3. DO NOT ALLOW pre-teenage children to operate mower.
4. Only responsible teenagers with mature judgement shall be allowed to operate mower and only under close supervision.

PROTECTION AGAINST TIPOVERS

1. DO NOT operate mower on slopes exceeding 15° (27% grade).
2. On slopes above 10° (18% grade); exercise extreme caution; turn blade OFF when traveling uphill; do not mow across; reduce speed to No. 1 position, avoid sharp turns and uphill starting.
3. DO NOT mow under any condition where traction or stability is doubtful without first test driving over terrain with blade OFF.
4. Stay alert for holes and other hidden hazards and keep away from ditches, washouts, culverts, fences and protruding objects.
5. Always begin forward motion in No. 1 speed position.
6. Use weighted load carrier on front when using grass catcher on slopes.

OTHER IMPORTANT PRECAUTIONS

1. Read and follow operator's manuals and instructions furnished with attachments.
2. Only mature, responsible persons shall operate the mower.
3. Mount and dismount mower from left side.
4. Wear appropriate protective clothing when mowing such as substantial footwear and long pants, not barefoot or with open sandals.
5. Practice operation of mower with blade OFF to learn controls and develop skill.
6. Persons under the influence of alcohol or drugs must not operate mower.
7. Know how to stop blade and engine quickly in preparation for emergencies.
8. Keep people and pets a safe distance from mower.

9. Shields, deflectors, switches, blade controls and other safety devices must be in proper position and functional.
10. Clear area to be mowed of wire, rocks and other objects that could cause injury if thrown by blade.
11. Shift blade OFF and transmission into NEU/PARK before starting or whenever leaving mower momentarily. Also, remove key when leaving mower unattended.
12. DO NOT operate mower unless properly seated with feet on pads or pedals.
13. Keep hands and feet away from rotating blade underneath deck. Never place foot on ground while blade is ON or when mower is in motion!
14. Turn blade OFF, stop engine and wait for blade to stop before attempting to unclog grass or leaves to prevent loss of fingers or hand.
15. Blade must be shifted OFF except when cutting grass. Set cutter in highest position when mowing over rough ground.
16. Deflector or grass catcher must be in position. Never point discharge at people, passing cars, windows or doors. Watch out for traffic when crossing or near roadways.
17. Mow in reverse only after careful observation of entire area behind the mower. DO NOT mow in reverse unless absolutely necessary.
18. Service mower and make adjustments only when engine is stopped.
19. Have mower serviced by an authorized Snapper dealer at least once a year and have the dealer install any new safety devices.
20. Use only genuine Snapper replacement parts to assure that original standards are maintained.
21. Tighten all nuts, bolts and screws frequently and check, adjust, repair or replace brakes as needed.
22. Lubricate mower at intervals specified in manual to prevent controls from binding.
23. Use the auxiliary brake pedal on right to prevent mower from rolling backward as the clutch-brake pedal is released when starting out on slopes. NOTE: Auxiliary brake alone will not stop mower.
24. Mow only in daylight or in good artificial light.
25. Handle gasoline with care! Never remove cap while engine is running. Fill tank outdoors only with engine stopped and cool. Store gasoline in approved container, out of the reach of children, in well ventilated, unoccupied building.
26. DO NOT change engine governor speed settings or overspeed engine.
27. Check grass catcher components frequently for signs of wear or deterioration and replace as needed to prevent injury from items going through weak or worn spots.
28. Exercise caution when pulling loads. Limit loads to those you can safely control and attach loads to hitch plate as specified with Snapper attachment instructions.

OPERATING INSTRUCTIONS

INTRODUCTION

This manual covers Snapper automatic blade stop and smooth start clutch equipped, rear-engine Riding Mowers. In addition to the operation instructions, it includes routine service and adjustment recommendations. Comprehensive overhaul/repair (service) and complete parts manuals are available from your Snapper Dealer at nominal cost.

PRE-START PROCEDURE

Before each start-up, check and/or perform the following:

1. CHECK TIRES for proper inflation and add air as needed to bring pressure up to specification (see figure 2). A low tire not only causes uneven mowing but is more subject to rim leakage upon impact with curbing etc.
2. CHECK GUARDS & COVERS to make sure all are properly installed and securely tightened.
3. CHECK BLADE CONTROLS to make sure they work freely and that BLADE LEVER snaps from ON to OFF when BLADE PEDAL is released.
4. CHECK EXTERIOR SURFACES and clean up any accumulation of grass, oil, dirt etc., especially around air intake and cooling fins on engine.
5. CHECK ENGINE OIL and add oil as needed to bring up to (but not over) the Full mark. Refer to engine manual for oil specifications.
6. FILL FUEL TANK after pushing mower outdoors where fumes will be dissipated. Refer to engine manual for fuel specifications. Reinstall and tighten filler cap after filling tank.

STARTING-STOPPING ENGINE

The engine is stopped by either turning the ENGINE IGNITION keyswitch OFF or by moving the ENGINE CONTROL rearward to STOP. Refer to figure 1 for location of these CONTROLS. Start the engine as follows:

1. FUEL: Turn valve on tank filler cap counter-clockwise to open.
2. TRANSMISSION & CUTTER: Depress CLUTCH/BRAKE pedal and shift transmission to NEU/PARK, shift CUTTER ON-OFF lever to OFF. Note: interlocks will prevent engine starting unless this is done.
3. CHOKE engine for cold starting by moving ENGINE CONTROL to CHOKE position.
4. IGNITION: Insert key in ENGINE IGNITION switch and turn ON.
5. START manually by pulling rope starter until engine runs. On electric start models,* push starter button down and hold (not more than 5 seconds each time) until engine runs. As the engine warms up, move the ENGINE CONTROL out of choke into the desired speed setting.

*NOTE: Electric start engines feature battery charging alternators. If the battery is too weak to start electrically, use the rope starter method then run the engine for about an hour to recharge the battery.

STARTING-STOPPING MOTION

Become thoroughly familiar with location of the forward/reverse motion controls (see figure 1) and the function of each before operating the cutter. To stop motion, depress the CLUTCH/BRAKE pedal! The other motion controls are the transmission SHIFT LEVER and the AUX. BRAKE (auxiliary) pedal. Operate as follows after engine has been started.

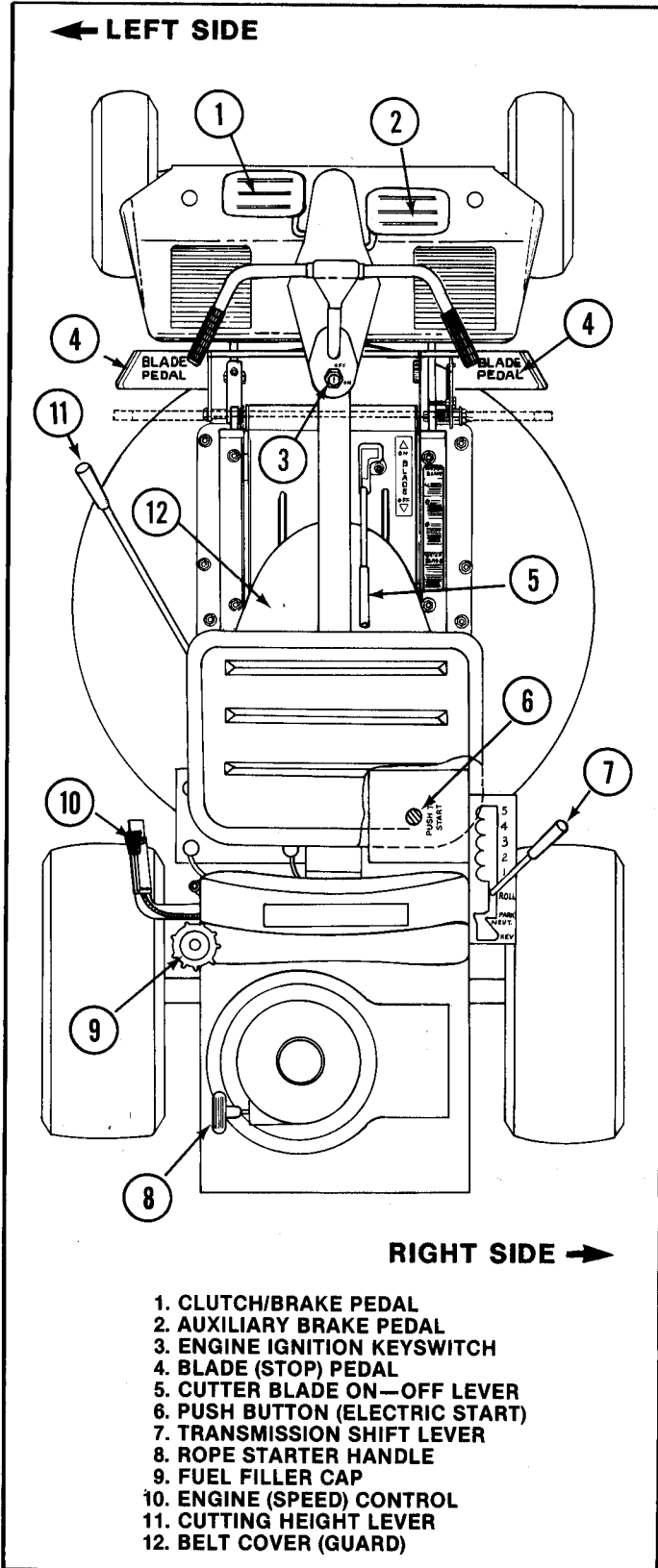


FIG. 1 — LOCATION OF CONTROLS

SERVICE ASSISTANCE - REPLACEMENT PARTS

To retain the quality of your mower, use Genuine Snapper Replacement Parts only. Contact your local Snapper dealer for parts and service assistance. For the correct part or information for your particular mower, always mention model and serial number. We recommend returning your mower to an authorized Snapper Dealer on a yearly basis for inspection and addition of any new devices which might upgrade the safety of your mower. For the nearest Snapper Dealer, check the yellow pages under the heading **LAWN MOWERS**. For engine parts and service, look for the engine manufacturer's dealers under the heading **ENGINES-gasoline**.

- 1(A). **FORWARD MOTION—UPHILL:** Depress both pedals and release the **CLUTCH/BRAKE** pedal **before** releasing the **AUX/BRAKE** pedal. This prevents the Rider from rolling backward on inclined surface as the clutch brake pedal is released. **CAUTION:** Depressing the **AUX/BRAKE** pedal will not stop motion of the Rider when operating under engine power.
- 1(B). **FORWARD MOTION—LEVEL SURFACE:** Depress **CLUTCH/BRAKE** pedal part way down, shift **TRANSMISSION LEVER** to #1 speed position, then slowly release **CLUTCH/BRAKE** pedal. The Rider can be shifted into the higher, 2 thru 5, speeds on the go without depressing the **CLUTCH/BRAKE** pedal. Push the **CLUTCH/BRAKE** pedal all the way down to stop forward or rearward motion.

As a safety precaution when stops and starts must be made on steep inclines, turn cutter **OFF**, depress both foot pedals, shift transmission into No. 1 speed position, idle engine speed then slowly release clutch/brake pedal first and release the auxiliary brake pedal as the mower starts to move forward. Remember that weighted load carrier must be used with rear mounted grass catcher when on slopes. See accessories on back page.

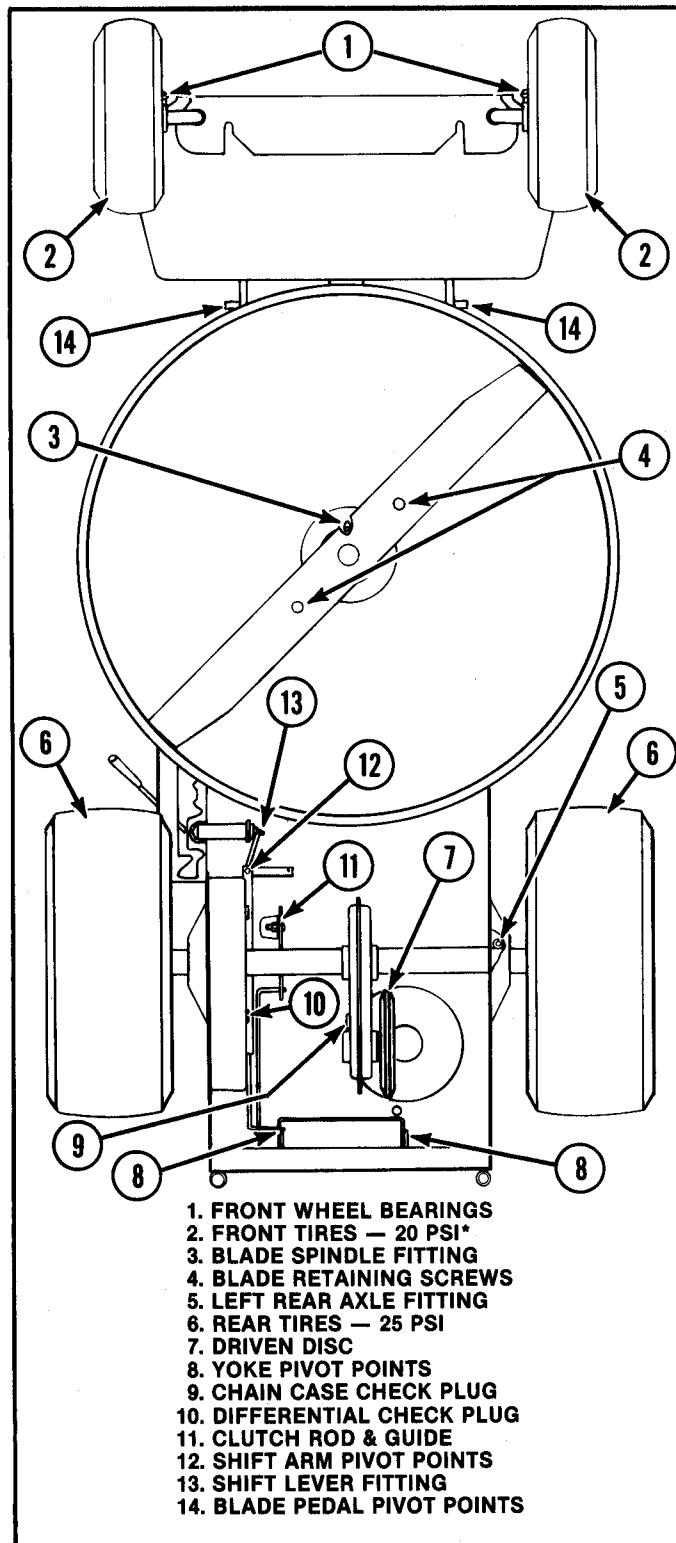
REVERSE MOTION: Depress the **CLUTCH/BRAKE** pedal to stop forward motion then release this pedal part way and shift transmission to **REV** (reverse) and completely release **CLUTCH/BRAKE** pedal. **NOTE:** hold transmission shift lever firmly in **REV** position while backing up! If the shift lever is released while backing up, the driven disc may be damaged from contact with the parking brake mechanism. To Stop the reverse motion, depress the **CLUTCH/BRAKE** pedal. The transmission should shift out of reverse into neutral when the **CLUTCH/BRAKE** pedal is depressed.

PARKING/ROLLING MACHINE: Shifting the transmission into the **NEU/PARK** position locks the transmission and prevents the machine from rolling forward or backward. To roll the machine with engine off, shift transmission into **ROLL** position and push machine. Always park machine with transmission shifted into **NEU/PARK**. The transmission may be shifted from **NEU/PARK** TO **ROLL** and from **ROLL** to **NEU/PARK** without depressing clutch/brake pedal.

STARTING-STOPPING CUTTER BLADE

The automatic blade stop controls on this mower are provided to stop cutter blade rotation in less than 3 seconds after the **BLADE PEDAL** is released. Two separate and deliberate actions are required of the operator to start and keep the blade turning. Note that the **BLADE** lever (see figure 1) is blocked from forward movement if the **BLADE PEDAL** is depressed--the **BLADE LEVER** must therefore be shifted forward before the **BLADE PEDAL** is depressed. Start and Stop the cutter blade as follows:

1. Shift **BLADE LEVER** forward to **ON** and hold then push the **BLADE PEDAL** down. Keep your heel (or heels) on the blade pedal to lock the blade **ON** to continue mowing. **NOTE:** The blade will rotate whenever the **BLADE LEVER** is **ON**.
2. Stop blade rotation by removing heel (or heels) from **BLADE PEDAL** which allows the spring loaded **BLADE LEVER** to snap rearward to **OFF**. The **BLADE LEVER** can be forced **OFF** even with the **BLADE PEDAL** depressed by pushing the lever inward then pulling rearward to **OFF**. **NOTE:** If the blade lever moves slowly rearward rather than snapping back as it should when the blade pedal is released, the cutter belt may be too slack. To correct tension of the belt, stop the engine, shift the transmission to **NEU/PARK**, set the cutter in #5 cutting height position, then follow instructions for **BELT TENSION** adjustment later in this manual.



1. FRONT WHEEL BEARINGS
2. FRONT TIRES — 20 PSI*
3. BLADE SPINDLE FITTING
4. BLADE RETAINING SCREWS
5. LEFT REAR AXLE FITTING
6. REAR TIRES — 25 PSI
7. DRIVEN DISC
8. YOKE PIVOT POINTS
9. CHAIN CASE CHECK PLUG
10. DIFFERENTIAL CHECK PLUG
11. CLUTCH ROD & GUIDE
12. SHIFT ARM PIVOT POINTS
13. SHIFT LEVER FITTING
14. BLADE PEDAL PIVOT POINTS

FIG. 2 — LUBRICATION & SERVICE POINTS

LUBRICATION SCHEDULE

EVERY 25 OPERATING HOURS

- **FRONT WHEEL BEARINGS:** On new machine, lubricate through fittings with 10 shots of bearing grease from a pressure gun after the first 25 hours operation and thereafter with 2 shots every 25 hours.
- **REAR LEFT AXLE BEARING:** Lubricate through fitting with 2 shots of bearing grease from a pressure gun. Right hand bearing is lubricated by transmission.
- **ENGINE:** Change lube oil following recommendations stated in engine manual.

TWICE YEARLY

- **SHIFT LEVER:** Lubricate through fitting located inside case on end of mechanism with 2 shots of grease from pressure gun.
- **CUTTING HEIGHT LEVER:** Remove belt cover from deck and apply small amount of medium grade cup grease to top surface of adjusting cams on both sides. Before replacing cover, lubricate blade lever & pedals.
- **BLADE ENGAGEMENT LEVER:** Lubricate idler arm and engagement lever at each wear point with a few drops of oil.
- **BLADE PEDAL:** Lubricate all pivoting and sliding surfaces where motion occurs when the pedals are moved with a few drops of oil. Reinstall spindle cover after lubricating blade lever and pedals.

END OF SEASON

- **BLADE SPINDLE:** Two shots of grease only once yearly.
- **DIFFERENTIAL:** After standing mower on rear bumpers, remove plug from differential housing and check level of grease. Add Snapper 00 grease as needed to bring level up to bottom edge of hole. Install new plug after servicing.
- **CHAIN CASE:** With mower standing on end, remove plug and add 1 ounce of Snapper 00 grease to case. Avoid overfilling - total capacity must not exceed 2 ounces. Install new plug after servicing.

CUTTING BLADE SERVICE

Before doing any work on blade, remember to disconnect the spark plug wire and secure it away from plug to prevent unintentional starting. Have blade replaced if it becomes bent or chipped from impacting solid objects or when the cutting surface becomes dull from extended use.

Check the blade retaining nuts and bolts at frequent intervals to make sure blade is tight. These must be tightened to 70-80 foot pounds torque. Also check the blade tip clearance frequently to make sure the tips are with specified limits above the lower edges of the cutting deck. The clearance between the bottom edge of blade tips and lower edge of deck must be 1/4" to 3/8" on 25" and 28" models, 1/8" to 1/4" on 26" and 30" models and 3/8" on 33" models. Check tip clearance at four points around deck. To adjust, loosen jam nut on blade holder cap screw and turn screw as required to obtain correct tip clearance, then while holding cap screw, tighten jam nut against blade holder to lock tip at new setting. Repeat adjustment procedure for other blade tip.

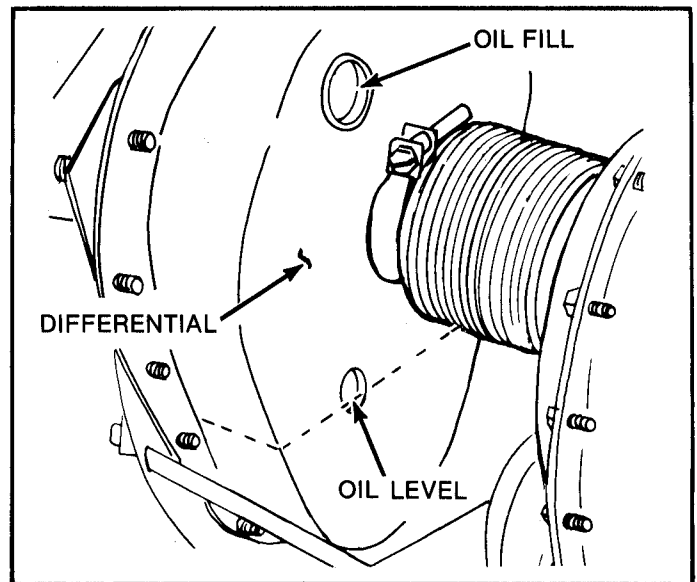


FIG. 3 — DIFFERENTIAL LUBE LEVEL

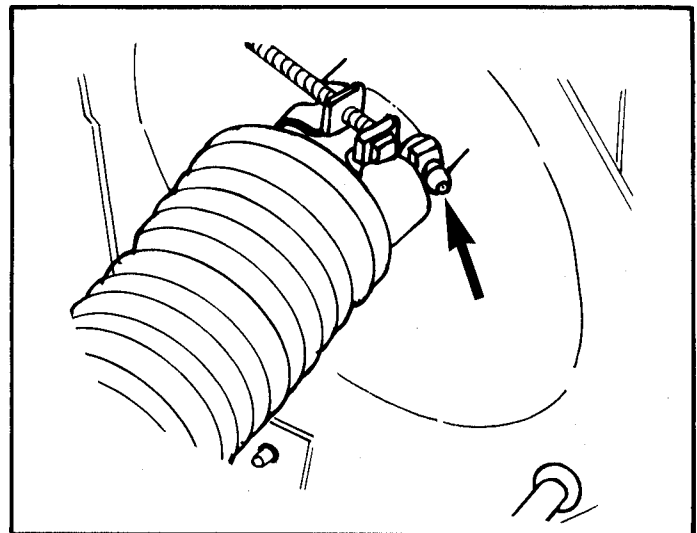


FIG. 4 — REAR AXLE LUBE POINT

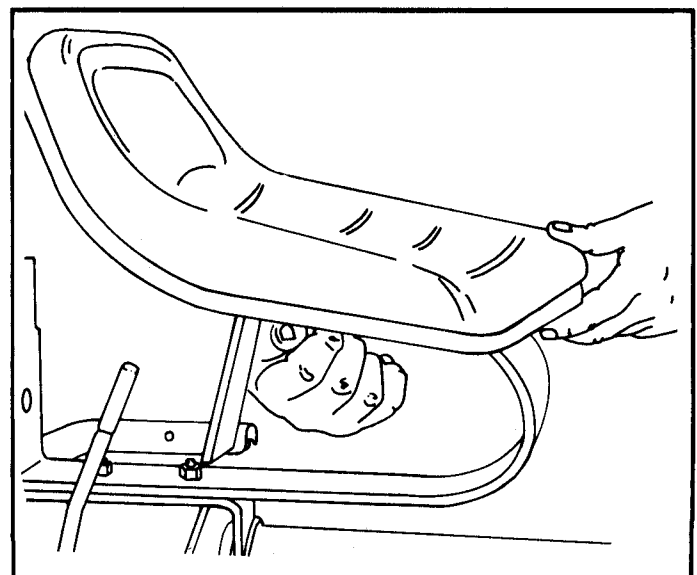


FIG. 5 — CHECK SEAT RETAINER SCREW

CUTTING DECK SERVICE

If the mower skips over the lawn leaving uncut areas, this could be caused by travelling too fast for the grass conditions with the engine speed set too low, or belt slippage or the cutting deck being improperly set from front to rear. An uneven cut from one side of the swath to the other is usually caused by uneven tire pressure although it may also be caused when the deck is not level from side to side. If a bad cutting pattern develops and the cause is not belt slippage or uneven tire pressure, move the Rider to a flat, level surface such as your garage floor and check the cutting deck settings with engine stopped as follows:

DECK FRONT TO REAR: The HI-VAC 25, 28 and 33" models mow best with the cutting deck set exactly level from front to rear while the deck on the 26" and 30" models should be set higher at the rear than the front for best results. To check, shift the cutting deck into the lowest cutting height. On Hi-Vac models measure the distance between the floor and the underside of the rolled lip at front and rear. If these two measurements are within $\frac{1}{8}$ " of each other, the deck is considered level from front to rear. On the 26" and 30" models turn the blade so that one tip is centered in the front, then measure the distance between the tips and ground at front and rear. On the 26" and 30" models, the tip should be $\frac{5}{8}$ " higher at the rear than the front. A tolerance of plus or minus $\frac{1}{8}$ " is allowable. To adjust the deck front to rear measurements, raise or lower the rear of the deck by turning the chain adjusting hooks until the deck is exactly level on Hi-Vac models or the rear blade tip is $\frac{5}{8}$ " higher than the front tip on the 26" and 30" models.

DECK SIDE TO SIDE LEVEL: Place a piece of angle iron or similar triangular shaped block under the rear center of the cutting deck then unhook the chains from the adjusting hooks and lower the rear of the deck until it rests on the block. Measure the clearance between the deck on the left and right sides. If these measurements differ more than $\frac{1}{8}$ ", adjust the side to side clearance until both measurements are the same with $\frac{1}{8}$ ". To adjust, loosen the capscrew on the side adjusting knuckle which is located on the left front lift arm, then loosen the jam nut and turn the setscrew clockwise to raise the left side of the deck or counter-clockwise to raise the right side. When the deck is level (within $\frac{1}{8}$ ") from side to side, hold the setscrew and retighten the jam nut first then the capscrew on the side to lock at this new setting.

NOTE: If poor mowing pattern continues after correcting the side to side and front to rear levels, the problem may be a misaligned deck spindle - return your mower to a Snapper Dealer to have the spindle aligned.

OPERATOR'S SEAT

Check and retighten the cap screw on underside of seat at frequent intervals to assure that the seat remains securely attached to the seat spring. Do not operate rider if seat wobbles even slightly! The operator's seat can be moved forward or backward by repositioning the retaining cap screw in either of the three holes provided in the seat spring. After repositioning, make sure seat retaining cap screw is securely tightened (50-75 foot pounds specified).

FUEL FILTER

An in-line fuel filter is provided between the fuel tank and carburetor to protect the engine against damage from impurities in the gasoline. Check this occasionally for leakage especially around the hose clamp areas. Replace the see-thru filter (Snapper #1-4359) before the screen becomes totally clogged with sediment. Make sure the replacement filter is installed with side marked IN toward tank and OUT toward carburetor.

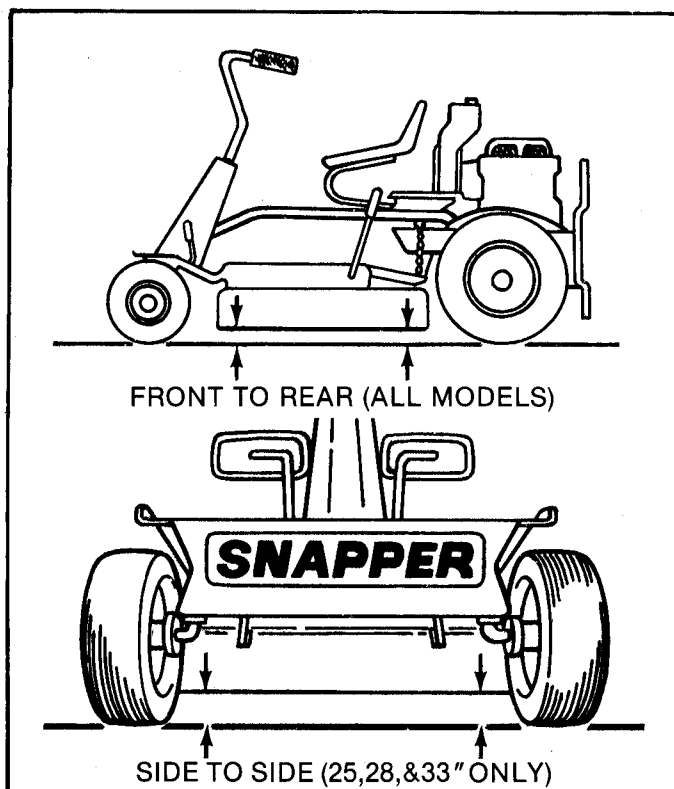


FIG. 6 — CUTTING DECK SETTINGS

CLUTCH ADJUSTMENTS

The clutch is initially set for smooth action under normal load conditions. It can be readjusted to be more aggressive, for example, to pull heavy loads. Adjustment is made by repositioning the yoke lift spring. Initially the spring is hooked in the middle hole of the guide link. To make it more aggressive, increase spring tension by reconnecting to the top hole of the guide link. To make it less aggressive, reconnect the spring to the bottom hole of the link.

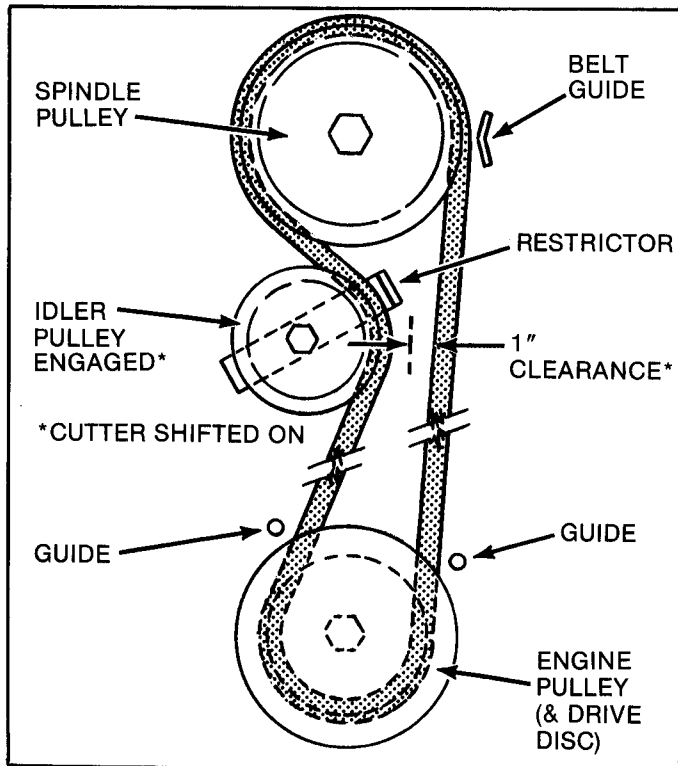


FIG. 7 — DECK DRIVE BELT ARRANGEMENT

BELT TENSION ADJUSTMENT AND REPLACEMENT

With the deck into #5 height position and the cutter shifted into engaged position, check the distance between the inside span of the belt and the closest edge of the idler pulley — when properly tensioned, this should measure about one inch as shown in figure 7. Belt tension is adjusted by changing the distance between the front axle and rear case assemblies. This is accomplished by loosening the main tube clamp (under the seat spring) and pulling the front assembly away to increase tension or pushing it in closer to decrease tension on the drive belt. When proper tension is achieved, retighten the main tube clamp. If distance changed considerably, check and readjust the brake control cables if needed after repositioning front end assembly.

Replace belt if badly worn, cracked or frayed. Adjust belt tension as described in the foregoing after installing new belt. Use the following procedure to install new belt: Remove belt cover, cut and remove old belt, then bend belt guide on center spindle away from pulley enough to allow installation of new belt. Loop belt around engine pulley and belt restrictor as shown in figure 7. Check and readjust belt tension if required. Reinstall belt cover.

BLADE BRAKE ADJUSTMENT

The blade brake compensates for wear. As the brake band wears, the blade control lever will gradually stop further rearward in the slot of the cover. The lever can't touch back. Blade must stop in more than 1 but less than 3 seconds. a 7/16" wrench is needed for this procedure. The adjusting point is shown in figure 9. The adjustment is made with the engine stopped as follows.

STEP 1: Lower cutting deck and remove the belt guard.

STEP 2: While holding the blade lever firmly in the rearward position, loosen the jam-nut on the end of the blade stop eyebolt (figure 9).

STEP 3: Move the blade lever to ON position, press the blade pedal forward and hold, then turn the T-nut on end of stop shaft clockwise several complete turns. Make sure tab on T-nut is positioned vertically to fit over the anchor.

STEP 4: Release the blade pedal to allow the blade lever to move to OFF position then depress the blade pedal again and check clearance between forward edge of the blade lever and the rear edge of the latch plate which should be within 1/8" to 1/4". Repeat procedure in step 2 if needed to obtain correct clearance. When correct, hold the blade lever rearward and turn the jam-nut tight against the T-nut to lock in new position.

WHEEL BRAKE TEST & READJUSTMENT

Test the wheel braking action at frequent intervals to insure proper stopping in the event of possible emergencies. Normally, the Rider should stop from top forward speed within approximately four feet after the CLUTCH/BRAKE pedal has been fully depressed.

If the Rider does not stop within this distance, readjust the braking action by repositioning one of the spacers from the topside to the underside of the clutch/brake pedal as shown in figure 10. To do this, pull the rubber pad off the pedal, slide the spacer thru the larger slot in pedal and pad and move it rearward along the brake cable until above the pad and out of the way into the brake cable opening on the side of the center column. Slip the rubber pad over the pedal and test braking action again. If brakes do not stop properly after readjusting, return the Rider to your Snapper Dealer for repair.

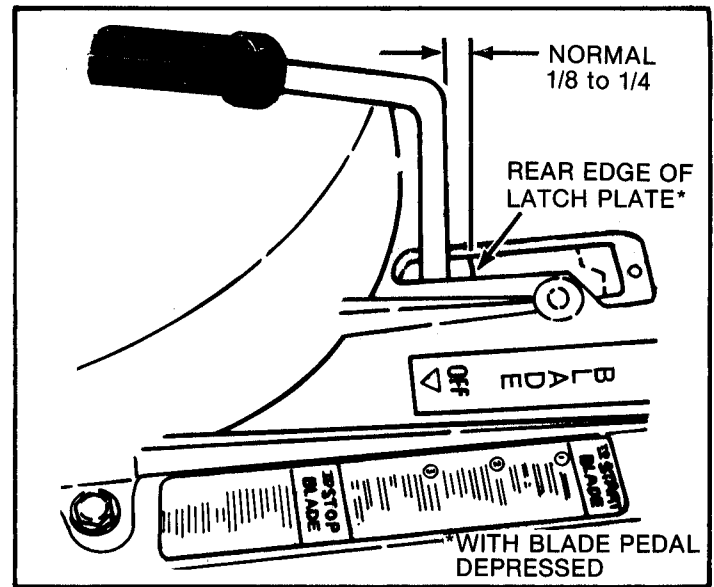


FIG. 8 — BLADE LEVER TRAVEL

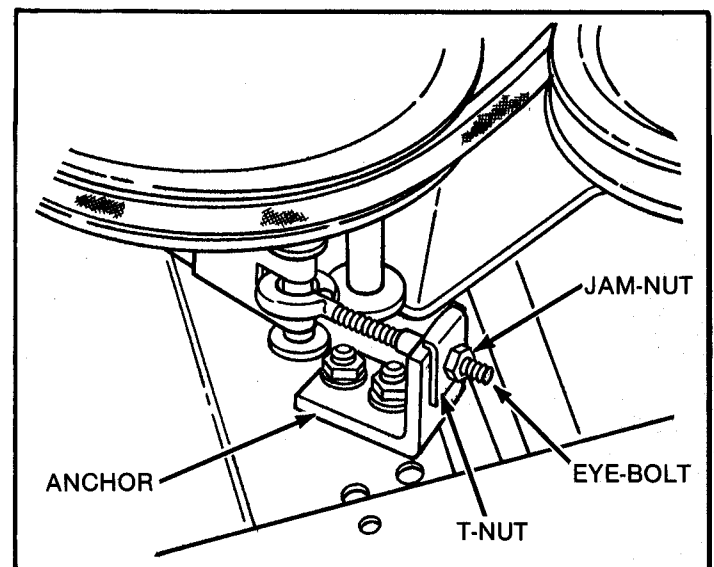


FIG. 9 — BLADE BRAKE ADJUSTMENT

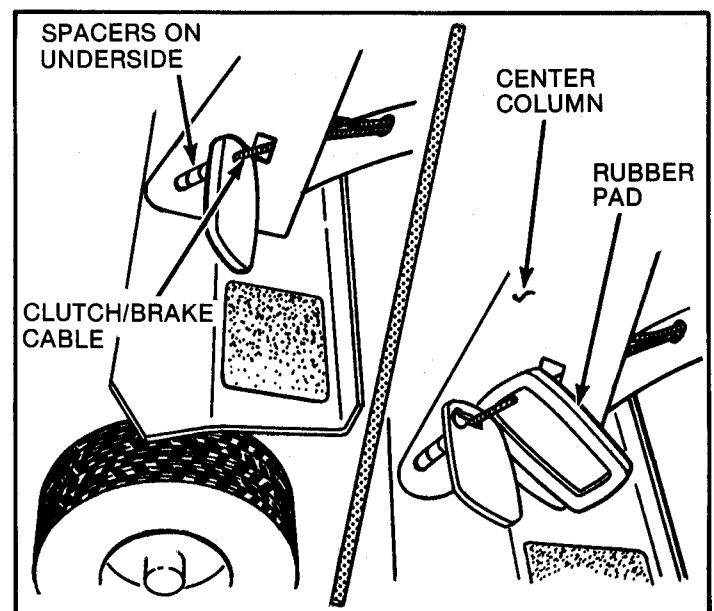


FIG. 10 — CLUTCH/BRAKE ADJUSTMENT

STORAGE PROCEDURE

Thoroughly clean surfaces of unit before placing in storage and lubricate as described earlier in this manual under LUBRICATION SERVICES. On electric start models, recharge the battery once each month during the off-season so the battery is ready at the start of the new season.

The mower may be set on end for servicing or storage within the following limitations:

1. Caution; On electric starter units, always remove wet cell type battery before standing mower on end.
2. For winter storage always drain oil and gasoline. Refer to engine manual for proper procedure.
3. After storing on end, the following procedure is required before starting machine. With ignition switch turned off, pull engine over slowly. If excessive resistance is felt or engine refuses to rotate, remove spark plug and spin engine to clear cylinder of oil. Clean and reinstall spark plug.

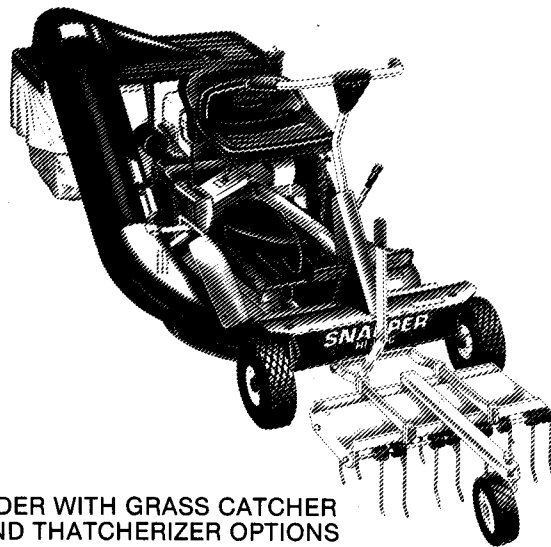
POPULAR ACCESSORIES

Some popular accessory kits for Snapper Riding Mowers are described below. Contact your Snapper Dealer for specific details on these and other available items.

GRASS CATCHER KIT: Rear mounted, easy to empty 6 bushel capacity catcher available for all models. Use with weighted load carrier on slopes.

TWIN BAG KIT: Features two easy to handle bags with dumping straps for 28" and 33" models.

LOAD CARRIER KIT: Front mounted for carrying tools, etc., and weighted when used with grass catcher to prevent loss of steering due to weight of grass in catcher.



RIDER WITH GRASS CATCHER AND THATCHERIZER OPTIONS

BAG-N-WAGON: Includes tow behind 30 bushel capacity grass catcher cart. Available for 28" and 33" HV models only.

SNOW PLOW KIT: Includes front mounted Snow/Dozer blade for plowing snow or light dozing jobs. Available for all models.

THATCHERIZER includes easy to install front mounted unit to dislodge thatch where it can be vacuumed up into the grass catcher on units so equipped. One unit fits all Riders.

SNOW THROWER ATTACHMENT: Converts 8 and higher horsepower models to year round use with an efficient front mounted two-stage snow thrower unit.

MANUFACTURER'S 1 YEAR LIMITED WARRANTY

For 1 Year from purchase date for a non-commercial user, or for Thirty (30) days from purchase date for a commercial user, SNAPPER POWER EQUIPMENT, through any factory authorized service dealer, will replace for the original purchaser, free of charge, any part of parts found upon examination by the factory at McDonough, Georgia, to be defective in material or workmanship or both.

All transportation cost incurred by the purchaser in submitting material to an authorized service dealer for replacement under this warranty must be borne by the purchaser.

This warranty does not apply to engines and their components, as these items are warranted separately by their manufacturers. Neither does it apply to parts that have been damaged by accident, alteration, abuse, improper lubrication, normal wear, or other cause beyond our control.

There is no other express warranty.

Implied warranties, including those of merchantability and fitness for a particular purpose, are limited to one year from purchase date for non-commercial users, and for thirty (30) days from purchase for commercial users and to the extent permitted by law and all implied warranties are excluded. This is the exclusive remedy. Liabilities for consequential damages under any and all warranties are excluded.

Some states do not allow limitations on how long an implied warranty lasts or do not allow the exclusion or limitation of incidental or consequential damages, so the above limitation or exclusion may not apply to you.

This warranty gives you specific legal rights, and you may also have other rights which vary from state to state.

WARNING: Use of replacement parts other than genuine SNAPPER parts may impair the safety of your mower.

IMPORTANT: Please fill out the attached Snapper Product Registration Card and mail to:

SNAPPER POWER EQUIPMENT, McDONOUGH, GEORGIA 30253