

# OPERATOR'S MANUAL



## Coronet / 2400 / RE 200 Series

### 13HP Hydro Riders

Mfg. No.	Description
1694610	Coronet, 13HP
1694612	Coronet, 13HP (CE)
1694613	2413H, 13HP
1694614	2413H, 13HP (CE)
1694615	RE1330, 13HP
1694616	RE1330, 13HP (CE)
1695508	Coronet, 13HP
1695509	RE1330, 13HP
2690244	Coronet, 13HP & 30" Mower
2690246	Coronet, 13HP & 30" Mower (CE)
2690247	2413H, 13HP & 30" Mower
2690248	2413H, 13HP & 30" Mower (CE)
2690249	RE1330, 13HP & 30" Mower
2690250	RE1330, 13HP & 30" Mower (CE)
2690800	Coronet, 13.5HP & 30" Mower
2690801	RE200, 13.5HP & 30" Mower
2690893	Coronet, 13HP & 30" Mower

### 16HP Hydro Riders

Mfg. No.	Description
1694611	Coronet, 16HP
1695510	Coronet, 16HP
2690245	Coronet, 16HP & 34" Mower
2690802	Coronet, 16HP & 34" Mower

### 30" Mower Decks

Mfg. No.	Description
1692543	30" Mower Deck
1694053	30" Mower Deck
1694511	30" Mower Deck (CE)
1694513	30" Mower Deck
1694537	30" Mower Deck

### 34" Mower Decks

Mfg. No.	Description
1692545	34" Mower Deck
1694191	34" Mower Deck

Not for  
Reproduction

# Table of Contents

<b>Safety Rules &amp; Information.....</b>	<b>4</b>	<b>Troubleshooting, Adjustments &amp; Service .....</b>	<b>25</b>
<b>Identification Numbers .....</b>	<b>9</b>	Troubleshooting the Rider .....	25
<b>Safety Decals .....</b>	<b>10</b>	Troubleshooting the Mower.....	26
<b>Features &amp; Controls .....</b>	<b>12</b>	Seat Adjustment.....	27
Control Functions .....	12	Steering Gear Adjustment .....	27
Safety Interlock System.....	14	Steering Wheel Adjustment.....	27
<b>Operating the Rider.....</b>	<b>14</b>	Brake Adjustment.....	28
General .....	14	Blade Brake Adjustment.....	28
Adding Fuel.....	14	Mower Adjustments.....	29
Checks Before Starting .....	14	Battery Charging .....	31
Brake Pedal Operation .....	15	Rider Drive Belt Replacement .....	32
Starting The Engine.....	15	Mower Belt Replacement .....	32
Selecting Ground & Engine Speed .....	16	<b>Specifications.....</b>	<b>33</b>
Stopping the Rider.....	16	<b>Parts &amp; Accessories.....</b>	<b>34</b>
Operating the Mower.....	16		
Mowing in Reverse.....	17		
Attachment Operation in Reverse .....	17		
Pushing the Rider by Hand .....	17		
Mower Removal and Installation .....	18		
Storage.....	19		
<b>Regular Maintenance.....</b>	<b>20</b>		
Maintenance Schedule.....	20		
Checking Tire Pressures .....	20		
Raising the Seat Deck .....	21		
Adding Fuel .....	21		
Fuel Filter .....	21		
Oil & Filter Change .....	21		
Check / Change Air Filter .....	21		
Replace Spark Plug.....	21		
Lubrication.....	22		
Battery Maintenance .....	23		
Cleaning the Battery and Cables.....	23		
Lubricate Rear Axle Shafts .....	23		
Servicing the Mower Blades .....	24		

*NOTE: In this manual, “left” and “right” are referred to as seen from the operating position.*



## Operating Safety

Congratulations on purchasing a superior-quality piece of lawn and garden equipment. Our products are designed and manufactured to meet or exceed all industry standards for safety.

Power equipment is only as safe as the operator. If it is misused, or not properly maintained, it can be dangerous! Remember, you are responsible for your safety and that of those around you.

Use common sense, and think through what you are doing. If you are not sure that the task you are about to perform can be safely done with the equipment you have chosen, ask a professional: contact your local authorized dealer.

## Read the Manual

The operator's manual contains important safety information you need to be aware of **BEFORE** you operate your unit as well as **DURING** operation.

Safe operating techniques, an explanation of the product's features and controls, and maintenance information is included to help you get the most out of your equipment investment.

Be sure to completely read the Safety Rules and Information found on the following pages. Also completely read the Operation section.



## Children

Tragic accidents can occur with children. Do not allow them anywhere near the area of operation. Children are often attracted to the unit and mowing activity. Never assume that children will remain where you last saw them. If there is a risk that children may enter the area where you are mowing, have another responsible adult watch them.

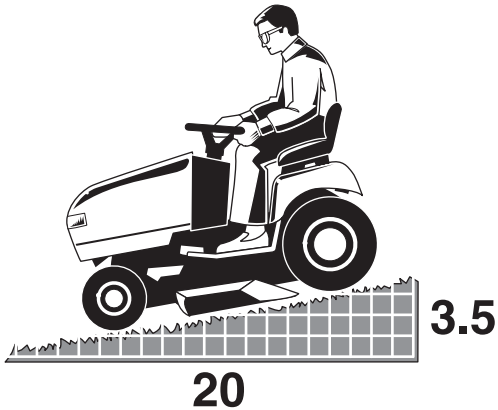
**DO NOT GIVE CHILDREN RIDES ON THIS UNIT!** This encourages them to come near the unit in the future while it is running, and they could be seriously hurt. They may then approach the unit for a ride when you are not expecting it, and you may run over them.

## Reverse

Do not mow in reverse unless absolutely necessary. Always look down and behind before and while traveling in reverse even with the mower blades disengaged.



## Slope Operation



You could be seriously injured or even killed if you use this unit on too steep an incline. Using the unit on a slope that is too steep or where you don't have adequate traction can cause you to lose control or roll over.

A good rule of thumb is to not operate on any slope you cannot back up (in 2-wheel drive mode). You should not operate on inclines with a slope greater than a 3.5 foot rise over a 20 foot length. Always drive up and down slopes: never cross the face.

Also note that the surface you are driving on can greatly impact stability and control. Wet grass or icy pavement can seriously affect your ability to control the unit.

If you feel unsure about operating the unit on an incline, don't do it. It's not worth the risk.

## Moving Parts

This equipment has many moving parts that can injure you or someone else. However, if you are seated in the seat properly, and follow all the rules in this book, the unit is safe to operate.

The mower deck has spinning mower blades that can amputate hands and feet. Do not allow anyone near the equipment while it is running!

To help you, the operator, use this equipment safely, it is equipped with an operator-present safety system. Do NOT attempt to alter or bypass the system. See your dealer immediately if the system does not pass all the safety interlock system tests found in this manual.



## Thrown Objects

This unit has spinning mower blades. These blades can pick up and throw debris that could seriously injure a bystander. Be sure to clean up the area to be mowed BEFORE you start mowing.

Do not operate this unit without the entire grass catcher or discharge guard (deflector) in place.

Also, do not allow anyone in the area while the unit is running! If someone does enter the area, shut the unit off immediately until they leave.

## Fuel and Maintenance

Gasoline is extremely flammable. Its vapors are also extremely flammable and can travel to distant ignition sources. Gasoline must only be used as a fuel, not as a solvent or cleaner. It should never be stored any place where its vapors can build up or travel to an ignition source like a pilot light. Fuel belongs in an approved, plastic, sealed gas can, or in the tractor fuel tank with the cap securely closed. Spilled fuel needs to be cleaned up immediately.

Proper maintenance is critical to the safety and performance of your unit. Be sure to perform the maintenance procedures listed in this manual, especially periodically testing the safety system.




# Safety Rules & Information



Read these safety rules and follow them closely. Failure to obey these rules could result in loss of control of unit, severe personal injury or death to you, or bystanders, or damage to property or equipment.

**This mowing deck is capable of amputating hands and feet and throwing objects.**

The triangle  in text signifies important cautions or warnings which must be followed.

## GENERAL OPERATION

1. Read, understand, and follow all instructions in the manual and on the unit before starting.
2. Do not put hands or feet near rotating parts or under the machine. Keep clear of the discharge opening at all times.
3. Only allow responsible adults, who are familiar with the instructions, to operate the unit (local regulations can restrict operator age).
4. Clear the area of objects such as rocks, toys, wire, etc., which could be picked up and thrown by the blade(s).
5. Be sure the area is clear of other people before mowing. Stop the unit if anyone enters the area.
6. Never carry passengers.
7. Do not mow in reverse unless absolutely necessary. Always look down and behind before and while traveling in reverse.
8. Never direct discharge material toward anyone. Avoid discharging material against a wall or obstruction. Material may ricochet back toward the operator. Stop the blade(s) when crossing gravel surfaces.
9. Do not operate the machine without the entire grass catcher, discharge guard (deflector), or other safety devices in place.
10. Slow down before turning.
11. Never leave a running unit unattended. Always disengage the PTO, set parking brake, stop engine, and remove keys before dismounting.
12. Disengage blades (PTO) when not mowing. Shut off engine and wait for all parts to come to a complete stop before cleaning the machine, removing the grass catcher, or unclogging the discharge guard.
13. Operate the machine only in daylight or good artificial light.
14. Do not operate the unit while under the influence of alcohol or drugs.
15. Watch for traffic when operating near or crossing roadways.
16. Use extra care when loading or unloading the unit into a trailer or truck.
17. Always wear eye protection when operating this unit.
18. Data indicates that operators, age 60 years and above, are involved in a large percentage of power equipment-related injuries. These operators should evaluate their ability to operate the equipment safely enough to protect themselves and others from injury.
19. Follow the manufacturer's recommendations for wheel weights or counterweights.
20. Keep in mind the operator is responsible for accidents occurring to other people or property.
21. All drivers should seek and obtain professional and practical instruction.
22. Always wear substantial footwear and trousers. Never operate when barefoot or wearing sandals.
23. Before using, always visually check that the blades and blade hardware are present, intact, and secure. Replace worn or damaged parts.
24. Disengage attachments before: refueling, removing an attachment, making adjustments (unless the adjustment can be made from the operator's position).
25. When the machine is parked, stored, or left unattended, lower the cutting means unless a positive mechanical lock is used.
26. Before leaving the operator's position for any reason, engage the parking brake (if equipped), disengage the PTO, stop the engine, and remove the key.
27. To reduce fire hazard, keep the unit free of grass, leaves, & excess oil. Do not stop or park over dry leaves, grass, or combustible materials.
28. It is a violation of California Public Resource Code Section 4442 to use or operate the engine on or near any forest-covered, brush-covered, or grass-covered land unless the exhaust system is equipped with a spark arrester meeting any applicable local or state laws. Other states or federal areas may have similar laws.

## TRANSPORTING AND STORAGE

1. When transporting the unit on an open trailer, make sure it is facing forward, in the direction of travel. If the unit is facing backwards, wind lift could damage the unit.
2. Always observe safe refueling and fuel handling practices when refueling the unit after transportation or storage.
3. Never store the unit (with fuel) in an enclosed poorly ventilated structure. Fuel vapors can travel to an ignition source (such as a furnace, water heater, etc.) and cause an explosion. Fuel vapor is also toxic to humans and animals.
4. Always follow the engine manual instructions for storage preparations before storing the unit for both short and long term periods.
5. Always follow the engine manual instructions for proper start-up procedures when returning the unit to service.
6. Never store the unit or fuel container inside where there is an open flame or pilot light, such as in a water heater. Allow unit to cool before storing.

## SLOPE OPERATION

Slopes are a major factor related to loss-of-control and tip-over accidents, which can result in severe injury or death. Operation on all slopes requires extra caution. If you cannot back up the slope or if you feel uneasy on it, do not operate on it.

Control of a walk-behind or ride-on machine sliding on a slope will not be regained by the application of the brake. The main reasons for loss of control are: insufficient tire grip on the ground, speed too fast, inadequate braking, the type of machine is unsuitable for its task, lack of awareness of the ground conditions, incorrect hitching and load distribution.

1. Mow up and down slopes, not across.
2. Watch for holes, ruts, or bumps. Uneven terrain could overturn the unit. Tall grass can hide obstacles.
3. Choose a slow speed so that you will not have to stop or change speeds while on the slope.
4. Do not mow on wet grass. Tires may lose traction.
5. Always keep unit in gear especially when traveling down slopes. Do not shift to neutral and coast downhill.
6. Avoid starting, stopping, or turning on a slope. If tires lose traction, disengage the blade(s) and proceed slowly straight down the slope.
7. Keep all movement on slopes slow and gradual. Do not make sudden changes in speed or direction, which could cause the machine to rollover.
8. Use extra care while operating machines with grass catchers or other attachments; they can affect the stability of the unit. Do not use on steep slopes.
9. Do not try to stabilize the machine by putting your foot on the ground (ride-on units).
10. Do not mow near drop-offs, ditches, or embankments. The mower could suddenly turn over if a wheel is over the edge of a cliff or ditch, or if an edge caves in.
11. Do not use grass catchers on steep slopes.
12. Do not mow slopes you cannot back up them.
13. See your authorized dealer/retailer for recommendations of wheel weights or counterweights to improve stability.
14. Remove obstacles such as rocks, tree limbs, etc.
15. Use slow speed. Tires may lose traction on slopes even through the brakes are functioning properly.
16. Do not turn on slopes unless necessary, and then, turn slowly and gradually downhill, if possible.

## TOWED EQUIPMENT (RIDE-ON UNITS)

1. Tow only with a machine that has a hitch designed for towing. Do not attach towed equipment except at the hitch point.
2. Follow the manufacturer's recommendations for weight limit for towed equipment and towing on slopes.
3. Never allow children or others in or on towed equipment.
4. On slopes, the weight of the towed equipment may cause loss of traction and loss of control.
5. Travel slowly and allow extra distance to stop.
6. Do not shift to neutral and coast down hill.

## WARNING

Never operate on slopes greater than 17.6 percent (10°) which is a rise of 3-1/2 feet (106 cm) vertically in 20 feet (607 cm) horizontally.

When operating on slopes use additional wheel weights or counterweights. See your dealer/retailer to determine which weights are available and appropriate for your unit.

Select slow ground speed before driving onto slope. In addition to front weights, use extra caution when operating on slopes with rear-mounted grass catchers.

Mow UP and DOWN the slope, never across the face, use caution when changing directions and **DO NOT START OR STOP ON SLOPE.**

## CHILDREN

Tragic accidents can occur if the operator is not alert to the presence of children. Children are often attracted to the unit and the mowing activity. Never assume that children will remain where you last saw them.

1. Keep children out of the mowing area and under the watchful care of another responsible adult.
2. Be alert and turn unit off if children enter the area.
3. Before and during reverse operation, look behind and down for small children.
4. Never carry children, even with the blade(s) off. They may fall off and be seriously injured or interfere with safe unit operation. Children who have been given rides in the past may suddenly appear in the mowing area for another ride and be run over or backed over by the machine.
5. Never allow children to operate the unit.
6. Use extra care when approaching blind corners, shrubs, trees, or other objects that may obscure vision.

## EMISSIONS

1. Engine exhaust from this product contains chemicals known, in certain quantities, to cause cancer, birth defects, or other reproductive harm.
2. Look for the relevant Emissions Durability Period and Air Index information on the engine emissions label.

## IGNITION SYSTEM

1. This spark ignition system complies with Canadian standard ICES-002.

# Safety Rules & Information

---

## SERVICE AND MAINTENANCE

### Safe Handling of Gasoline

1. Extinguish all cigarettes, cigars, pipes, and other sources of ignition.
2. Use only approved gasoline containers.
3. Never remove the gas cap or add fuel with the engine running. Allow the engine to cool before refueling.
4. Never fuel the machine indoors.
5. Never store the machine or fuel container where there is an open flame, spark, or pilot light such as near a water heater or other appliance.
6. Never fill containers inside a vehicle or on a truck bed with a plastic bed liner. Always place containers on the ground away from your vehicle before filling.
7. Remove gas-powered equipment from the truck or trailer and refuel it on the ground. If this is not possible, then refuel such equipment on a trailer with a portable container, rather than from a gasoline dispenser nozzle.
8. Keep nozzle in contact with the rim of the fuel tank or container opening at all times until fueling is complete. Do not use a nozzle lock-open device.
9. If fuel is spilled on clothing, change clothing immediately.
10. Never over-fill the fuel tank. Replace gas cap and tighten securely.
11. Use extra care in handling gasoline and other fuels. They are flammable and vapors are explosive.
12. If fuel is spilled, do not attempt to start the engine but move the machine away from the area of spillage and avoid creating any source of ignition until fuel vapors have dissipated.
13. Replace all fuel tank caps and fuel container caps securely.

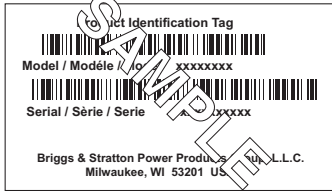
### Service & Maintenance

1. Never run the unit in an enclosed area where carbon monoxide fumes may collect.
2. Keep nuts and bolts, especially blade attachment bolts, tight and keep equipment in good condition.
3. Never tamper with safety devices. Check their proper operation regularly and make necessary repairs if they are not functioning properly.
4. Keep unit free of grass, leaves, or other debris build-up. Clean up oil or fuel spillage, and remove any fuel-soaked debris. Allow machine to cool before storage.
5. If you strike an object, stop and inspect the machine. Repair, if necessary, before restarting.
6. Never make adjustments or repairs with the engine running.
7. Check grass catcher components and the discharge guard frequently and replace with manufacturer's recommended parts, when necessary.
8. Mower blades are sharp. Wrap the blade or wear gloves, and use extra caution when servicing them.
9. Check brake operation frequently. Adjust and service as required.
10. Maintain or replace safety and instructions labels, as necessary.
11. Do not remove the fuel filter when the engine is hot as spilled gasoline may ignite. Do not spread fuel line clamps further than necessary. Ensure clamps grip hoses firmly over the filter after installation.

12. Do not use gasoline containing METHANOL, gasohol containing more than 10% ETHANOL, gasoline additives, or white gas because engine/fuel system damage could result.
13. If the fuel tank must be drained, it should be drained outdoors.
14. Replace faulty silencers/mufflers.
15. Maintain or replace safety and instruction labels as necessary.
16. Use only factory authorized replacement parts when making repairs.
17. Always comply with factory specifications on all settings and adjustments.
18. Only authorized service locations should be utilized for major service and repair requirements.
19. Never attempt to make major repairs on this unit unless you have been properly trained. Improper service procedures can result in hazardous operation, equipment damage and voiding of manufacturer's warranty.
20. On multiple blade mowers, take care as rotating one blade can cause other blades to rotate.
21. Do not change engine governor settings or over-speed the engine. Operating the engine at excessive speed can increase the hazard of personal injury.
22. Disengage drive attachments, stop the engine, remove the key, and disconnect the spark plug wire(s) before: clearing attachment blockages and chutes, performing service work, striking an object, or if the unit vibrates abnormally. After striking an object, inspect the machine for damage and make repairs before restarting and operating the equipment.
23. Never place hands near the moving parts, such as a hydro pump cooling fan, when the tractor is running. (Hydro pump cooling fans are typically located on top of the transaxle).
24. Units with hydraulic pumps, hoses, or motors: **WARNING:** Hydraulic fluid escaping under pressure may have sufficient force to penetrate skin and cause serious injury. If foreign fluid is injected into the skin it must be surgically removed within a few hours by a doctor familiar with this form of injury or gangrene may result. Keep body and hands away from pin holes or nozzles that eject hydraulic fluid under high pressure. Use paper or cardboard, and not hands, to search for leaks. Make sure all hydraulic fluid connections are tight and all hydraulic hoses and lines are in good condition before applying pressure to the system. If leaks occur, have the unit serviced immediately by your authorized dealer.
25. **WARNING:** Stored energy device. Improper release of springs can result in serious personal injury. Springs should be removed by an authorized technician.
26. Models equipped with an engine radiator: **WARNING:** Stored energy device. To prevent serious bodily injury from hot coolant or steam blow-out, never attempt to remove the radiator cap while the engine is running. Stop the engine and wait until it is cool. Even then, use extreme care when removing the cap.



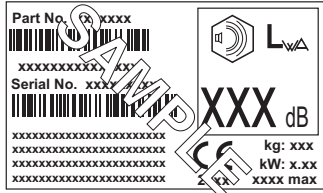
# Identification Numbers



North American /  
CE Models



Tractor ID Tag



CE Models  
(Only)

When contacting your authorized dealer for replacement parts, service, or information you **MUST** have these numbers.

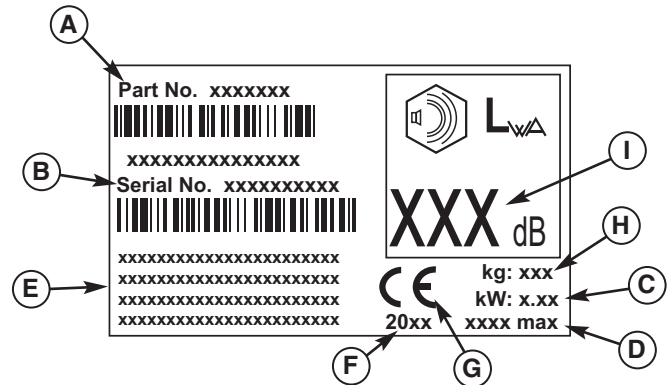
Record your model name/number, manufacturer's identification numbers, and engine serial numbers in the space provided for easy access. These numbers can be found in the locations shown.

*NOTE: For location of engine identification numbers, refer to the engine owner's manual.*

PRODUCT REFERENCE DATA	
Model Description Name/Number	
Unit MFG Number	Unit SERIAL Number
Mower Deck MFG Number	Mower Deck SERIAL Number
Dealer Name	Date Purchased
ENGINE REFERENCE DATA	
Engine Make	Engine Model
Engine Type/Spec	Engine Code/Serial Number

## CE IDENTIFICATION TAG MARKINGS

- A. Manufacturer's Identification Number
- B. Manufacturer's Serial Number
- C. Power Rating in Kilowatts
- D. Maximum Engine Speed in Rotations per Minute
- E. Manufacturer's Name and Address
- F. Year of Manufacture
- G. CE Compliance Logo
- H. Mass of Unit in Kilograms
- I. Guaranteed Sound Power in Decibels



# Safety Decals

## SAFETY DECALS

This unit has been designed and manufactured to provide you with the safety and reliability you would expect from an industry leader in outdoor power equipment manufacturing.

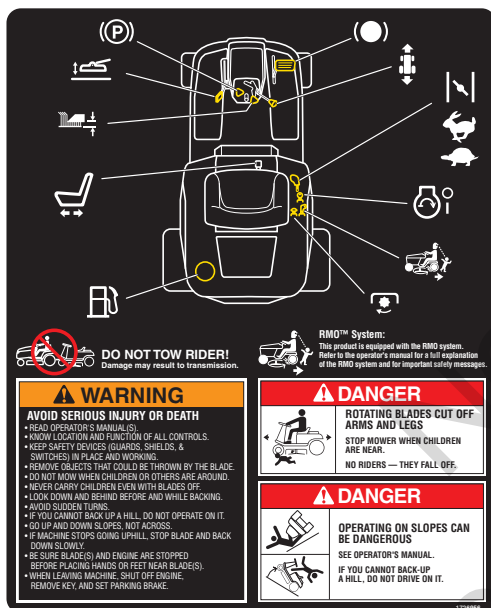
Although reading this manual and the safety instructions it contains will provide you with the necessary basic knowledge to operate this equipment safely and effectively, we have placed several safety labels on the unit to remind you of this important information while you are operating your unit.

All DANGER, WARNING, CAUTION and instructional messages on your rider and mower should be carefully read and obeyed. Personal bodily injury can result when these instructions are not followed. The information is for your safety and it is important! The safety decals below are on your rider and mower.

If any of these decals are lost or damaged, replace them at once. See your local dealer for replacements.

These labels are easily applied and will act as a constant visual reminder to you, and others who may use the equipment, to follow the safety instructions necessary for safe, effective operation.

### NORTH AMERICAN MODELS



Decal - Operating Instructions, North American Models, Part No. 1726956

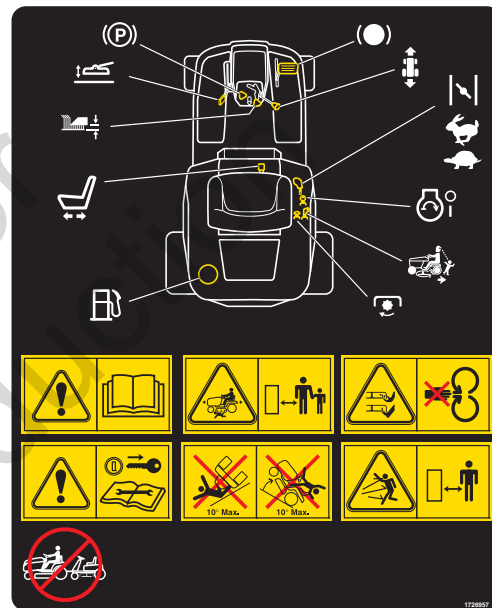


Decal - Danger, Side-Discharge Models  
Part No. 1704276



Decal - Danger, Side-Discharge Models  
Part No. 1704277

### CE MODELS

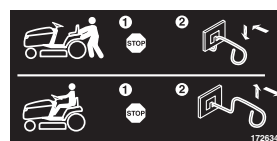


Decal - Operating Instructions, CE Models, Part No. 1726957



Decal - Danger, Rotating Blades  
Part No. 1720389

### ALL MODELS



Decal - Transmission Release  
Part No. 1726341



Decal - Ignition Switch Positions  
Part No. 1722806

**SAFETY ICONS**

**Warning: Read Operator's Manual.**

Read and understand the Operator's Manual before using this machine.



**Danger: Machine Rollover.**

Do not use this machine on slopes greater than 10°.



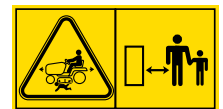
**Danger: Thrown Objects.**

This machine is capable of throwing objects and debris. Keep bystanders away.



**Danger: Dismemberment.**

This machine can amputate limbs. Keep bystanders and children away when engine is running.



**Warning: Remove Key Before Servicing.**

Remove the key and consult technical literature before performing repairs or maintenance.



**Danger: Dismemberment.**

This mower deck can amputate limbs. Keep hands and feet away from blades.



Not for  
Reproduction

# Features & Controls

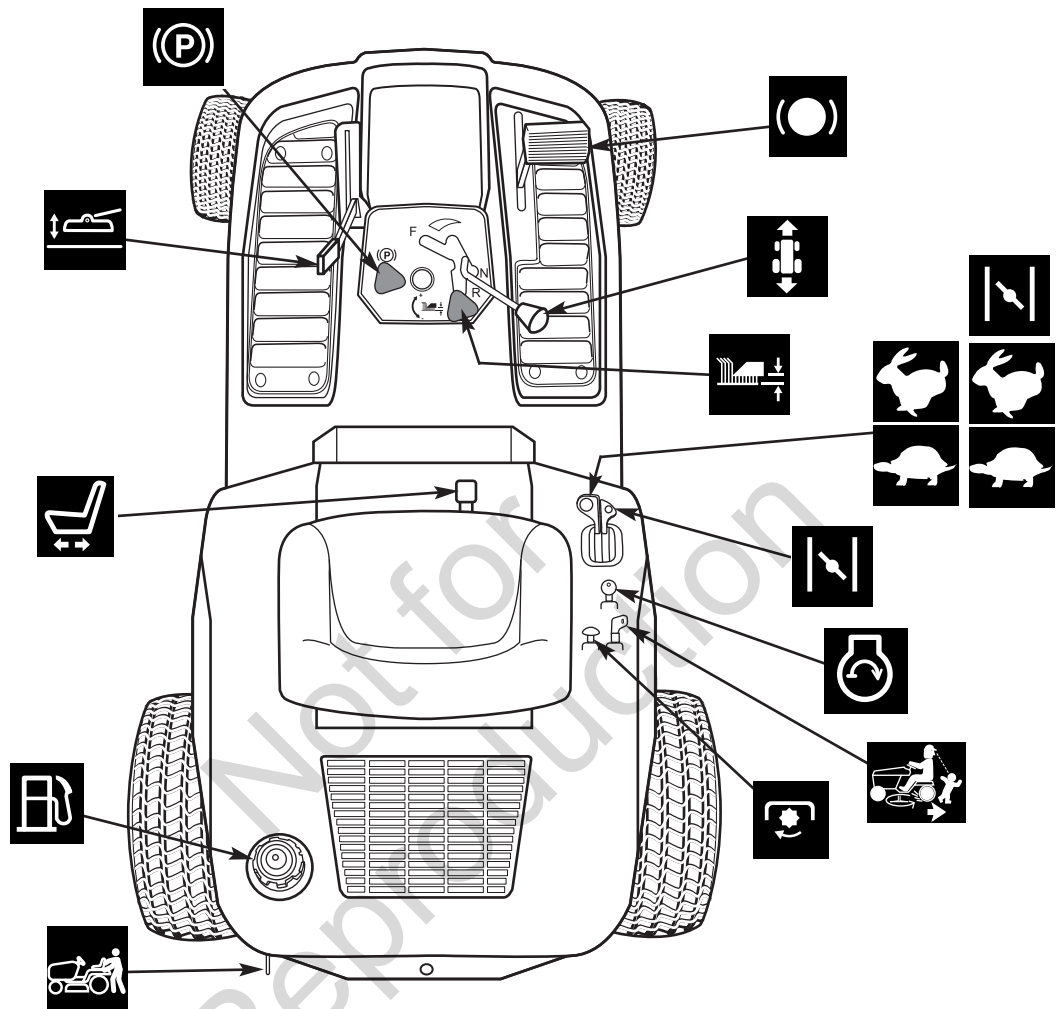


Figure 1. Controls

## CONTROL FUNCTIONS

The information below briefly describes the function of individual controls. Starting, stopping, driving, and mowing require the combined use of several controls applied in specific sequences. To learn what combination and sequence of controls to use for various tasks see OPERATING THE TRACTOR section.



### Throttle/Choke Control

(Single Lever Models)

The throttle/choke lever controls engine speed and choke. Move the throttle forward to increase engine speed and back to decrease engine speed. Always operate at FULL throttle. Move the control fully forward (past the detent) to close the choke. Close the choke for cold starting. Open the choke once the engine starts. A warm engine may not require choking.



### Throttle Control

(Twin Lever Models)

The throttle controls engine speed. Move the throttle forward to increase engine speed and back to decrease engine speed. Always operate at FULL throttle.



### Choke

(Twin Lever Models)

Close the choke for cold starting. Open the choke once the engine starts. A warm engine may not require choking. Move the lever forward to close the choke.



## Fuel Tank

To remove the cap, turn counterclockwise.



## PTO Switch

The PTO (Power Take-Off) switch engages and disengages attachments that use the PTO. To engage the PTO, pull UP on the switch. Push DOWN to disengage. *Note that the operator must be seated firmly in the tractor seat for the PTO to function.*



## Transmission Release Valve Lever

The transmission release valve lever deactivates the transmission so that the tractor can be pushed by hand. See "Pushing the Tractor by Hand" for operational information.



## Ignition Switch

The ignition switch starts and stops the engine, it has three positions:



**OFF** Stops the engine and shuts off the electrical system.



**RUN** Allows the engine to run and powers the electrical system.



**START** Cranks the engine for starting.

*NOTE: Never leave the ignition switch in the RUN position with the engine stopped—this drains the battery.*



## Brake Pedal

Depressing the brake pedal applies the tractor brake.



## Ground Speed Lever

The tractor's forward ground speed is controlled by the forward ground speed control lever. The tractor's reverse ground speed is controlled by the reverse ground speed control pedal.

Moving the lever forward will increase ground speed. Note that the further forward the lever is moved, the faster the tractor will travel.



## Parking Brake

The parking brake knob is used to lock the parking brake when the tractor is stopped. Fully depressing the brake pedal and pulling up on the knob engages the parking brake.



## Mower Height of Cut Adjustment

The cutting height adjustment knob controls the mower cutting height. The cutting height is infinitely adjustable between 1" and 3-3/4."



## Seat Adjustment Lever

The seat can be adjusted forward and back. Move the lever, position the seat as desired, and release the lever to lock the seat into position.



## Attachment Lift Control Lever

When using the mower deck, lift the deck off the ground while transporting to and from the job site. **DO NOT** cut with the mower in the raised, transport position.



## Reverse Mowing Option (RMO)

The Reverse Mowing Option allows for mowing (or use of other PTO driven attachments) while traveling in reverse. If you choose to mow or operate another attachment in reverse, turn the RMO key after the PTO is engaged. The L.E.D. light will illuminate, and the operator can then mow in reverse. Each time the PTO is disengaged the RMO needs to be reactivated if desired.

# Operating the Rider



## SAFETY INTERLOCK SYSTEM

This unit is equipped with safety interlock switches and other safety devices. These safety systems are present for your safety, do not attempt to bypass safety switches, and never tamper with safety devices. Check their operation regularly.

### Operational SAFETY Checks

Your unit is equipped with a seat switch safety system. Check the seat switch operation every fall and spring with the following tests.

#### Test 1 — Engine should NOT crank if any of the following conditions exist:

- Transmission lever is OUT of Neutral, OR
- PTO switch is engaged (ON), OR
- Clutch/brake pedal is NOT fully depressed.

#### Test 2 — Engine SHOULD crank if ALL of the following conditions are met:

- Transmission lever is IN neutral, AND
- PTO switch is NOT engaged, AND
- Clutch/brake pedal IS fully depressed.

#### Test 3 — Engine should SHUT OFF if any of the following conditions exist:

- Operator rises off seat with clutch/brake pedal NOT fully depressed (parking brake OFF), OR
- Operator rises off seat with PTO engaged.

*NOTE: If operator returns to seat before engine stops, the engine will re-start and electric PTO clutch will re-engage.*

*NOTE: Once the engine has stopped, PTO switch must be turned off after operator returns to the seat in order to start the engine.*

#### Test 4 — Blade Brake Check

Mower blades and mower drive belt should come to a complete stop within five seconds after electric PTO switch is turned off. If mower drive belt does not stop within five seconds, see your dealer.

#### Test 5 — Test 5 — Reverse Mow Option (RMO) Check

- Engine should shut off if reverse travel is attempted if the PTO has been switched on and RMO has not been activated.
- RMO light should illuminate when RMO has been activated.



## WARNING

**If the unit does not pass a safety test, do not operate it. See your authorized dealer. Under no circumstance should you attempt to defeat the purpose of the safety interlock system.**

## GENERAL OPERATING SAFETY

Be sure to read all information in the SAFETY RULES AND INFORMATION section before attempting to operate this unit. Become familiar with all of the controls and how to stop the unit.

## ADDING FUEL

To add fuel:

1. Remove the fuel cap (A, Figure 4).
2. Fill the tank. Do not overfill. Leave room in the tank for fuel expansion. Refer to your engine manual for specific fuel recommendations.
3. Install and hand tighten the fuel cap.

## CHECKS BEFORE STARTING

- Check that crankcase is filled to full mark on dipstick. See the Engine Manual for instructions and oil recommendations.
- Make sure all nuts, bolts, screws and pins are in place and tight.
- Adjust the seat position, and make certain you can reach all controls from operator's position.
- Fill the gasoline tank with fresh fuel. Refer to engine manual for fuel recommendations.
- Make certain proper wheel or counterweights are installed if required, and use extra caution if you will be operating the unit on sloping ground.

## BRAKE PEDAL OPERATION

1. See Figure 2. Depressing the pedal from position A to B disengages the transmission drive and also returns the transmission control lever to neutral (from forward speeds). Fully depressing the pedal to position B applies the rider brake.
2. See Figure 2. Parking brake is applied at pedal position B when parking brake control knob (C) is pulled up with pedal fully depressed.

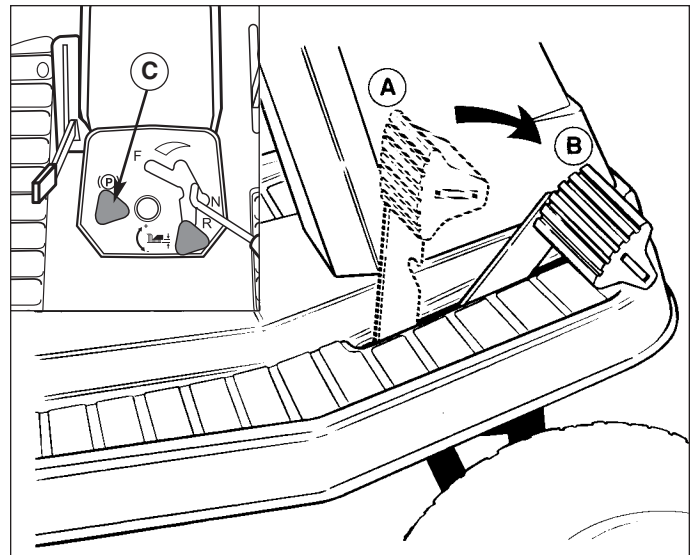
## STARTING THE ENGINE

1. Seat yourself on the rider seat in the operating position. Set the parking brake using the brake pedal (D, Figure 3) and parking brake knob (B).
2. Disengage the PTO clutch.
3. Set the throttle to FULL.
4. Close the choke.

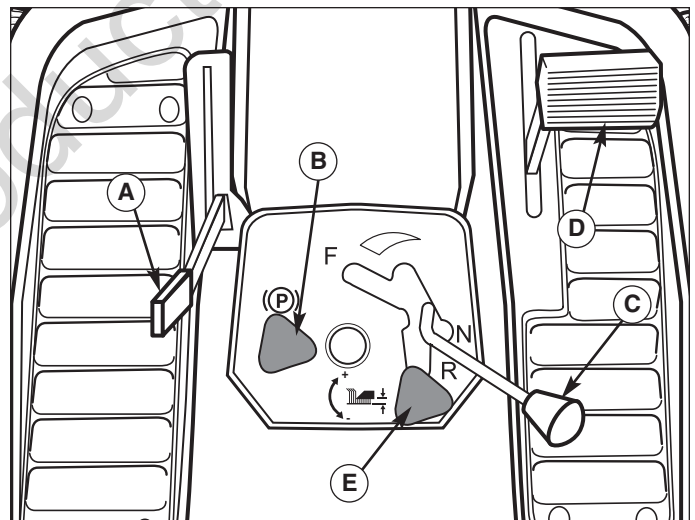
*NOTE: A warm engine may not require choking.*

5. Insert the ignition key and turn it to START.
6. After the engine starts, move the engine throttle control to SLOW. Warm up the engine by running it for at least a minute.
7. Set throttle to FULL.

*NOTE: In the event of an emergency the engine can be stopped by simply turning the ignition switch to STOP. Use this method only in emergency situations. For normal engine shut down follow the procedure given in "Stopping the Rider."*



**Figure 2. Brake Pedal**  
**A. Brake Pedal (Disengaged)**  
**B. Brake Pedal (Engaged)**  
**C. Parking Brake Knob**



**Figure 3. Controls**  
**A. Mower Lift Lever**  
**B. Parking Brake Knob**  
**C. Ground Speed Control Lever**  
**D. Clutch/Brake Pedal**  
**E. Dial-A-Cut™ Control**

## **⚠️ WARNING**

Make certain the area of operation, and especially the direction of travel is clear of objects, people and animals. Always look **DOWN AND BEHIND** before backing!



# Operating the Rider

## SELECTING GROUND & ENGINE SPEED

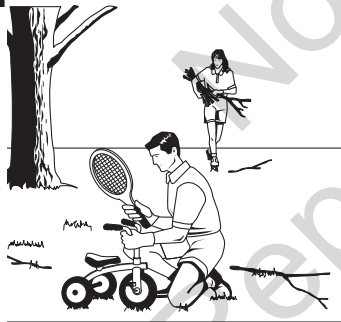
Ground speed is selected by releasing the clutch/brake pedal (D, Figure 4) and moving the control lever (C, Figure 4) to the appropriate speed selection. If the terrain is rough, hilly or sloping, use first or second gear. If the grass is wet or over 3" (76 mm) high, use full engine speed (with slow ground speed) so the mower will have enough power to cut the grass.

1. If you are ready to mow, lower the mower from the transport position using lever (A, Figure 4) and set the mowing height using the Dial-A-Cut™ Control (E, Figure 4).
2. Set the engine throttle for full speed.
3. Use the PTO switch to engage the PTO.
4. Release the parking brake by depressing the clutch/brake pedal and pushing knob (B, Figure 4) down.
5. Move the ground speed control lever (C, Figure 4) to the desired direction and speed of travel to set the rider in motion.
6. Adjust engine throttle to the desired speed. Full throttle is recommended for mowing.

### **! WARNING**

Make certain the area of operation, and especially the direction of travel is clear of objects, people and animals.

Always look DOWN AND BEHIND before backing!

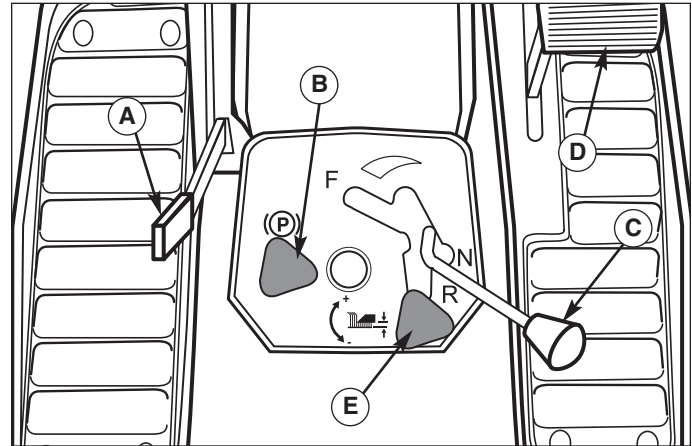


## STOPPING THE RIDER

1. Move the ground speed control lever (C, Figure 4) into the NEUTRAL position to make a gradual stop. To make a more rapid stop, depress the clutch/brake pedal (D, Figure 4).

*NOTE: The ground speed control lever will return to neutral from forward automatically when the clutch/brake pedal is depressed.*

2. Engage the parking brake by fully depressing brake pedal and pulling up on parking brake knob (B, Figure 4).
3. Use the PTO switch (G, Figure 1) to disengage the PTO.
4. Set the engine throttle (M, Figure 1) to 1/2 throttle setting and allow the engine to idle for 20 seconds. Stopping a hot engine too fast may cause engine damage.
5. Turn key (C, Figure 1) to OFF and remove it.



**Figure 4. Controls**

- |                                      |                               |
|--------------------------------------|-------------------------------|
| <b>A. Mower Lift Lever</b>           | <b>D. Clutch/Brake Pedal</b>  |
| <b>B. Parking Brake Knob</b>         | <b>E. Dial-A-Cut™ Control</b> |
| <b>C. Ground Speed Control Lever</b> |                               |

### **! WARNING**

Make certain direction of travel is clear of objects, people and animals.

Always look DOWN AND BEHIND before backing!



## OPERATING THE MOWER

1. When traveling to or from the work site, fully raise the mower using the mower lift lever (A, Figure 4). At the work site, lower mower using the lift lever.
2. Use the Dial-A-Cut™ control (E, Figure 4) to adjust the height of the mower. Pull back slightly on mower lift lever (A, Figure 4) to relieve pressure and turn clockwise to raise mower cutting height, or counterclockwise to lower cutting height.
3. Engage the parking brake. Make sure the PTO switch is disengaged.
4. Start the engine (see "Starting the Engine").
5. Fully lower the mower using the attachment lift lever.
6. Set the throttle to FULL.
7. Engage the PTO (Mower Deck).
8. Begin mowing.
9. When finished, shut off the PTO and raise the mower using the attachment lift control lever.
10. Stop the engine (see "Stopping the Rider").

*NOTE: Cutting height scale is located on the quadrant at base of lift lever. Scale is numbered 1 thru 4, with 4 representing the highest cutting height.*



## **⚠ WARNING**

The engine will shut off if the reverse ground speed pedal is depressed while the PTO is on and the RMO has not been activated. The operator should always turn the PTO off prior to driving across on roads, paths or any area that maybe used by other vehicles. Sudden loss of drive could create a hazard.

## **⚠ WARNING**

Mowing in reverse can be hazardous to bystanders. Tragic accidents can occur if the operator is not alert to the presence of children. Never activate RMO if children are present. Children are often attracted to the unit and the mowing activity.

## MOWING IN REVERSE

If an operator chooses to mow in reverse, the RMO system can be used. To use the Reverse Mowing Option (RMO) turn the RMO key after the PTO is engaged. The L.E.D. light will illuminate, and the operator can then mow in reverse. Each time the PTO is disengaged the RMO needs to be reactivated if desired. The key should be removed to restrict access to the RMO feature.

## ATTACHMENT OPERATION IN REVERSE

If an operator chooses to operate a PTO driven attachment in reverse, the RMO system can be used. To use the Reverse Mowing Option (RMO) turn the RMO key after the PTO is engaged. The L.E.D. light will illuminate, and the operator can then operate the attachment in reverse. Each time the PTO is disengaged the RMO needs to be reactivated if desired. The key should be removed to restrict access to the RMO feature.

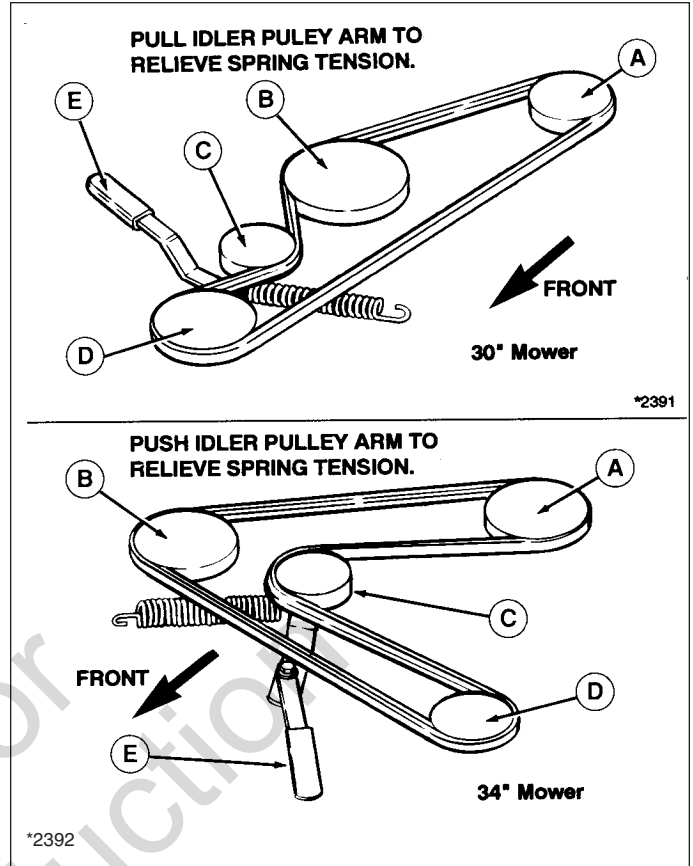
## PUSHING THE RIDER BY HAND

1. Disengage the PTO and turn the engine off.
2. Push the transmission release (A, Figure 6) in and push down to lock into released position.
3. The tractor can now be pushed by hand.



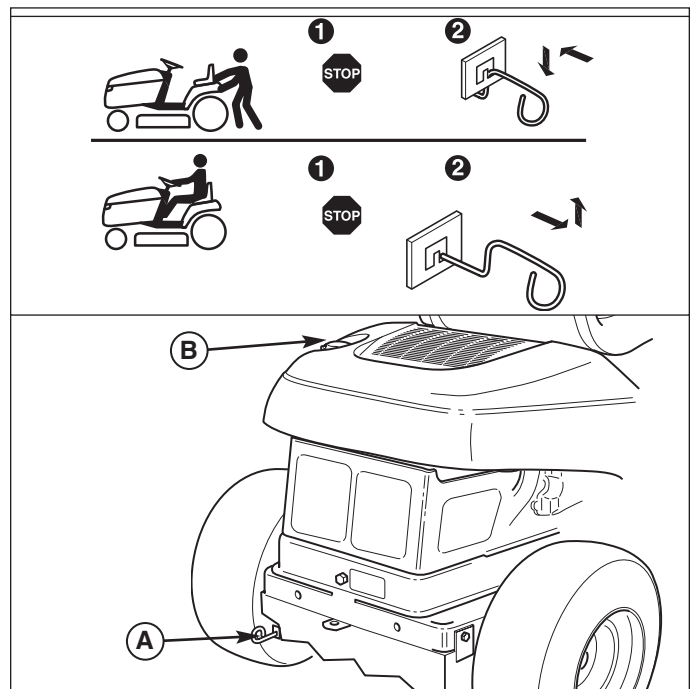
### **DO NOT TOW TRACTOR**

Towing the unit will cause transmission damage. • Do not use another vehicle to push or pull this unit. • Do not actuate the transmission release valve lever while the engine is running.



**Figure 5. Mower Belt Pattern**

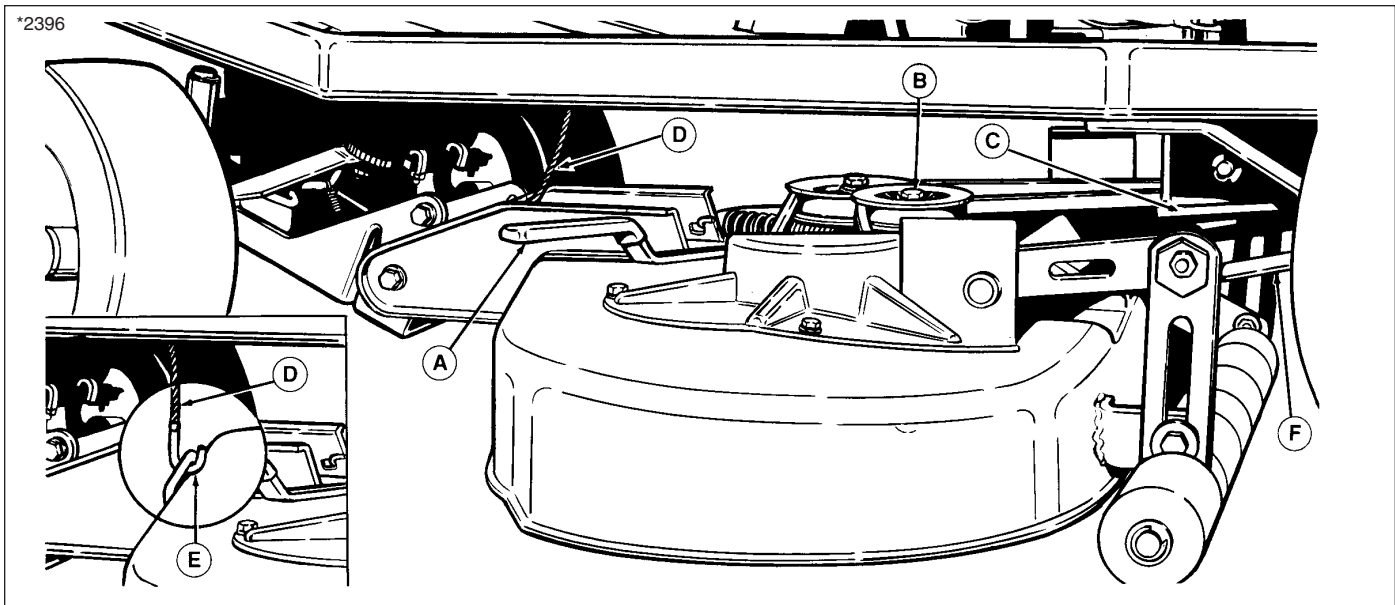
- |   |  |
|---|--|
| A. PTO Pulley                                     | D. Front Idler Pulley (30")<br>Left Arbor Pulley (34") |
| B. Arbor Pulley (30")<br>Right Arbor Pulley (34") | E. Idler Pulley Arm                                    |
| C. Idler Pulley                                   |  |



**Figure 6. Transmission Release Lever**

- |                               |                  |
|-------------------------------|------------------|
| A. Transmission Release Lever | B. Fuel Tank Cap |
|-------------------------------|------------------|

# Operating the Rider



**Figure 7. Mower Removal/Installation (34" mower shown)**

- |                                 |                       |
|---------------------------------|-----------------------|
| A. Idler Pulley Arm             | D. Lift Cable         |
| B. Idler Pulley                 | E. Lift Hook          |
| C. PTO (Electric Clutch) Pulley | F. Rear Trailing Arms |

## **⚠ WARNING**

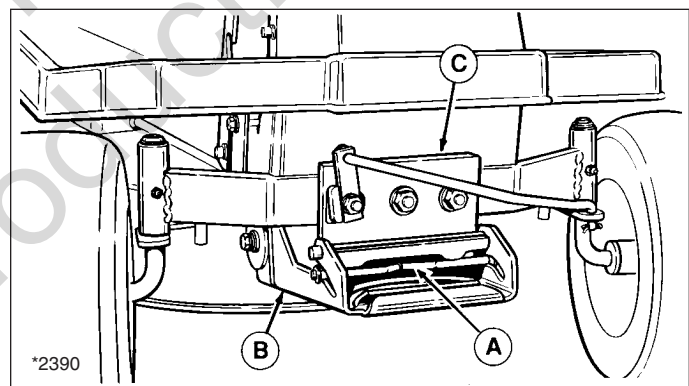
Stop engine and remove key. Do not engage PTO until mower is completely removed or installed and operator is seated.

## **MOWER REMOVAL AND INSTALLATION**

*NOTE: Perform mower installation on a hard, level surface such as a concrete floor. For easier mower removal and installation, rear trailing arms (F, Figure 7) can be removed by removing spring clips and clevis pins.*

1. Park rider and turn off PTO switch and engine, remove the key and apply parking brake. Turn the wheels fully to the left.
2. On left-hand side of 34" mower, push idler pulley arm (A, Figure 7) to relieve belt tension.  
On right-hand side of 30" mower, pull idler pulley arm to relieve belt tension.
3. With belt tension relieved, remove belt from idler pulley (B, Figure 7) and PTO pulley (C). Removing belt relieves tension on the front hitch assembly.
4. With lift lever down and Dial-A-Cut™ control set to the lowest setting, remove lift cable (D, Figure 7) from mower hook (see inset illustration, Figure 7).

*NOTE: Pull back slightly on the lift lever to allow easier turning of the Dial-A-Cut™ control.*



**Figure 8. Mower Hitch**

- |                |                         |
|----------------|-------------------------|
| A. Lever       | C. Rider Hitch Brackets |
| B. Mower Hitch |                         |

5. Remove mower hitch (B, Figure 8) from rider hitch brackets (C) by pulling spring-loaded lever (A) forward and lifting up on hitch. Place mower hitch on ground.
6. With wheels turned fully left, remove mower from underneath right-hand side of rider.
7. To install mower, reverse above steps. Check mower belt pattern (as shown in Figure 5). Make sure that the mower lift cable is installed with hook toward the rear (see Figure 7 inset) and rear trailing arms (F, Figure 7) are positioned above rear torsion bar.

## STORAGE

### **WARNING**

**Never store the unit (with fuel) in an enclosed, poorly ventilated structure. Fuel vapors can travel to an ignition source (such as a furnace, water heater, etc.) and cause an explosion.**

**Fuel vapor is also toxic to humans and animals.**

Before you store your unit for the off-season, read the "Maintenance and Storage" instructions in the SAFETY RULES AND INFORMATION section, then perform the following steps:

- Disengage the PTO, set the parking brake, & remove the key.
- Perform engine maintenance and storage measures listed in the Engine Manual. This includes draining the fuel system, or adding stabilizer to the fuel (do not store a fueled unit in an enclosed structure - see WARNING).

- Battery life will be increased if it is removed, put in a cool, dry place and fully charged about once a month. If the battery is left in the unit, disconnect the negative cable.

Before starting the unit after it has been stored:

- Check all fluid levels. Check all maintenance items.
- Perform all recommended checks and procedures found in the Engine Manual.
- Allow the engine to warm up for several minutes before use.

Not for  
Reproduction

# Regular Maintenance

## MAINTENANCE SCHEDULE & PROCEDURES

The following schedule should be followed for normal care of your rider and mower.

<b>SAFETY ITEMS</b>	<b>Before Each Use</b>	<b>Every 5 Hours</b>	<b>Every 25 Hours</b>	<b>Every 100 Hours</b>	<b>Every 250 Hours</b>	<b>Spring &amp; Fall</b>
Check Safety Interlock System						•
Check Tractor Brakes						•
Check Mower Blade Stopping Time				•		•
<b>TRACTOR MAINTENANCE ITEMS</b>	<b>Before Each Use</b>	<b>Every 5 Hours</b>	<b>Every 25 Hours</b>	<b>Every 100 Hours</b>	<b>Every 250 Hours</b>	<b>Spring &amp; Fall</b>
Check Tractor/Mower for loose hardware		•				
Lubricate Rear Axle Shafts						Yearly
Clean Battery & Cables				•		
Check Tire Pressure			•			
Clean Deck & Check/Replace Mower Blades**				•		
Lubricate Rider & Mower				• ***		
Transmission Maintenance ****						
<b>ENGINE MAINTENANCE ITEMS</b>	<b>Before Each Use</b>	<b>Every 5 Hours</b>	<b>Every 25 Hours</b>	<b>Every 100 Hours</b>	<b>Every 250 Hours</b>	<b>Spring &amp; Fall</b>
Check Engine Oil Level	•					
Check / Change Engine Air Filter *						
Change Engine Oil & Filter *						
Inspect Spark Plug(s) *						
Check / Replace Fuel Filter *						

\* Refer to engine owner's manual. Change original engine oil after initial break-in period.

\*\* More often in hot (over 85° F: 30° C) weather or dusty operating conditions.

\*\*\* Service after the first 50 hours of operation, then every 250 hours of operation.

\*\*\*\* Service after the first 25 hours of operation, then every 250 hours of operation.

\*\*\*\*\* See you dealer.

### CHECK TIRE PRESSURES

Tire Pressure should be checked periodically, and maintained at the levels shown in the chart. Note that these pressures may differ slightly from the "Max Inflation" stamped on the side-wall of the tires. The pressures shown provide proper traction, improve cut quality, and extend tire life.

<b>Tire</b>	<b>Pressure</b>
Front	10-12 psi (.68 - .82 bar)
Rear	10-12 psi (.68 - .82 bar)

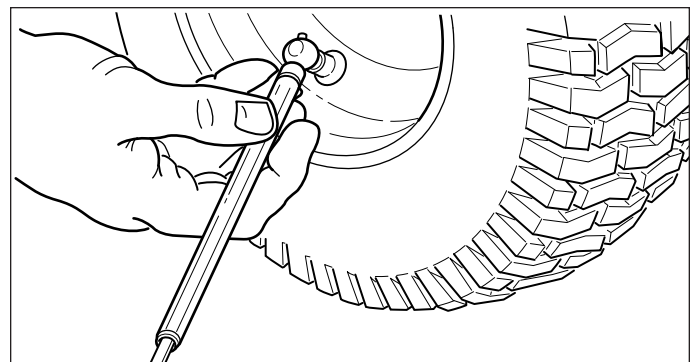


Figure 9. Checking Tire Pressure

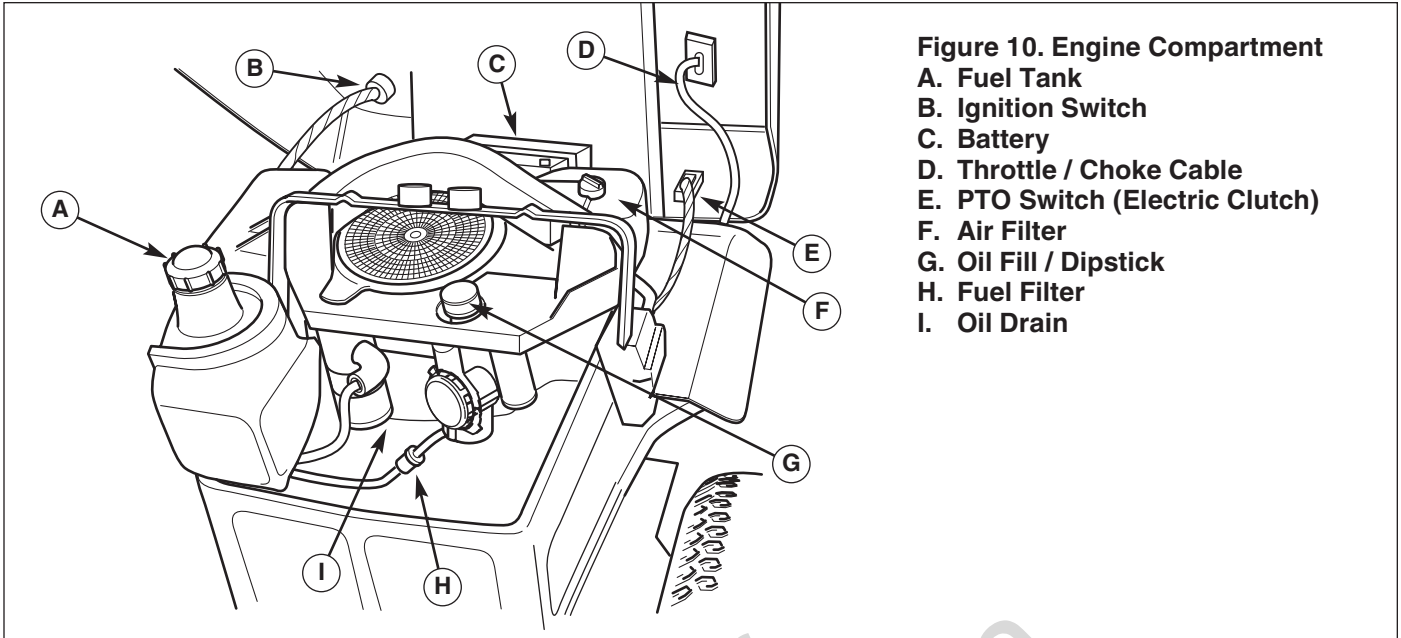


Figure 10. Engine Compartment

- A. Fuel Tank
- B. Ignition Switch
- C. Battery
- D. Throttle / Choke Cable
- E. PTO Switch (Electric Clutch)
- F. Air Filter
- G. Oil Fill / Dipstick
- H. Fuel Filter
- I. Oil Drain

## RAISING THE SEAT DECK

To gain access to the engine compartment, simply tilt the seat deck forward.

## ADDING FUEL

To add fuel:

1. Remove the fuel cap (A, Figure 10).
2. Fill the tank. Do not overfill. Leave room in the tank for fuel expansion. Refer to your Engine Manual for specific fuel recommendations.
3. Install and hand tighten the fuel cap.



Do not use gasoline containing METHANOL, gasohol containing more than 10% ethanol, gasoline additives, premium gasoline, or white gas because engine/fuel system damage could result.

## FUEL FILTER

The fuel filter is located in fuel line between fuel tank and carburetor. If filter is dirty or clogged, replace as follows. Place a container below filter to catch spilled gasoline.

1. Using a pliers, open and slide hose clamps from fuel filter.
2. Remove hoses from filter.
3. Install new filter in proper flow direction in fuel line. Secure with hose clamps. See warning at beginning of procedure.

## ⚠ WARNING

**Gasoline is highly flammable and must be handled with care. Never fill the tank when the engine is still hot from recent operation. Do not allow open flame, smoking or matches in the area. Avoid over-filling and wipe up any spills.**

**Do not remove fuel filter when engine is hot, as spilled gasoline may ignite. DO NOT spread hose clamps further than necessary. Ensure clamps grip hoses firmly over filter after installation.**

## OIL & FILTER CHANGE

Refer to Engine Manual.

## CHECK / CHANGE AIR FILTER

Refer to Engine Manual.

## REPLACE SPARK PLUG

Refer to Engine Manual.

# Regular Maintenance

## LUBRICATION

Lubricate the rider and mower as shown in Figures 11 - 16. When a grease gun is shown, wipe the fitting clean, apply two or three shots of lithium base automotive grease, and wipe off excess grease. When an oil can is shown, wipe the area clean, apply a few drops of oil (SAE 30), then wipe up drips or spills.

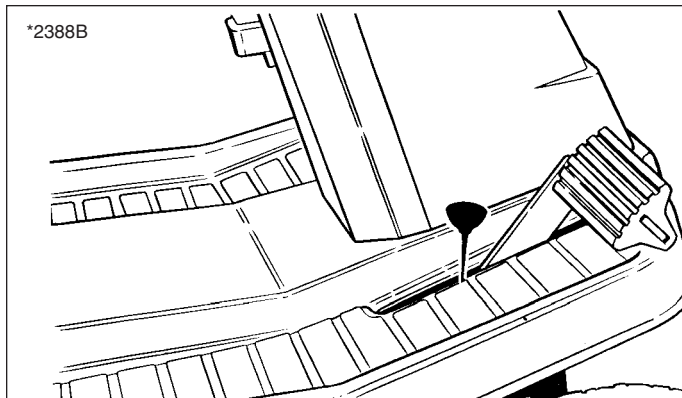


Figure 11. Brake Pedal Pivot Point

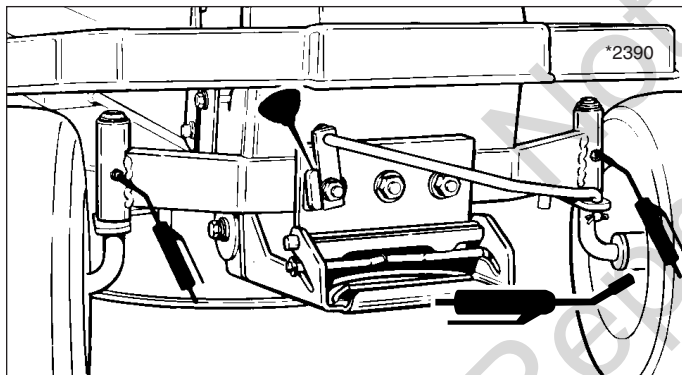


Figure 12. Front Axle Lubrication Points

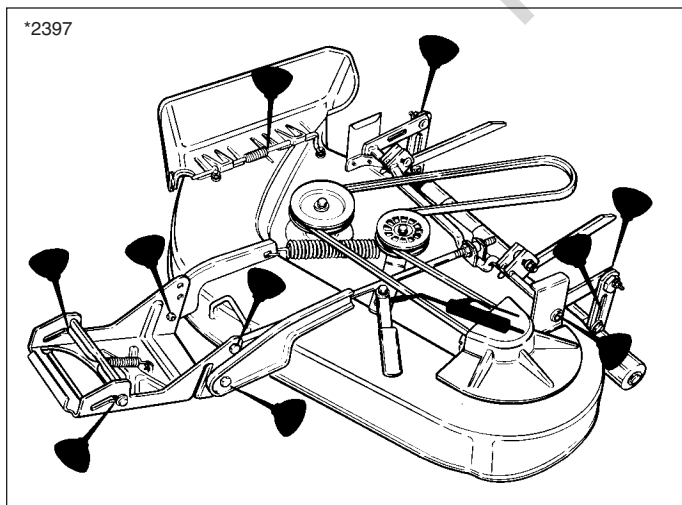


Figure 13. Mower Deck Lubrication Points

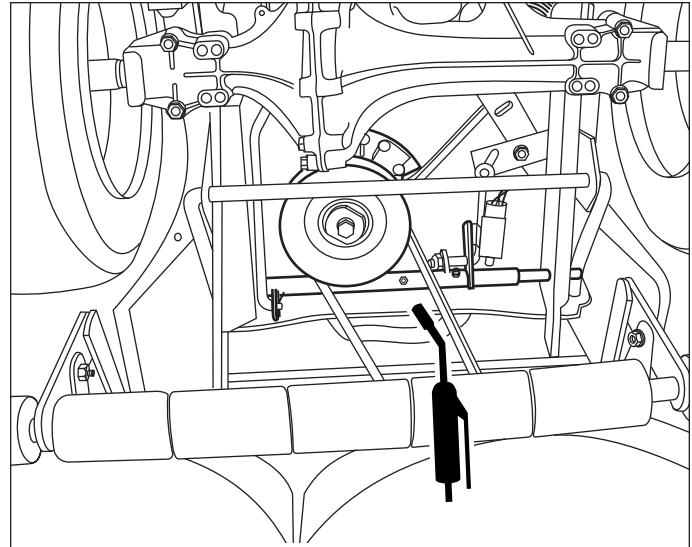


Figure 14. Rider Lubrication Points - Rear Half (Gear Model Shown)

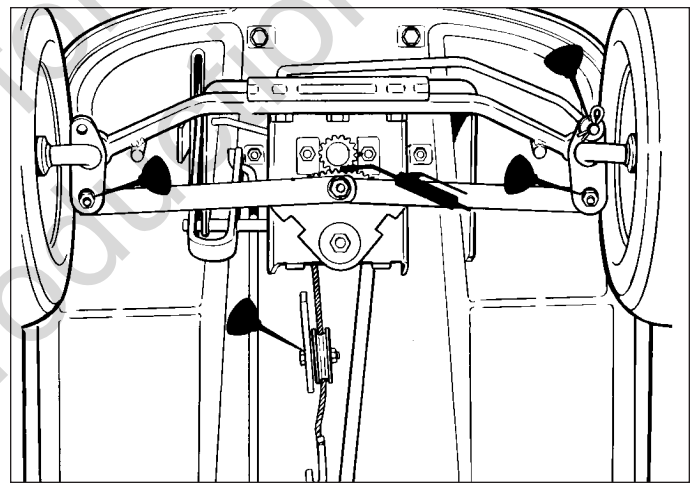


Figure 15. Rider Lubrication Points - Front Half

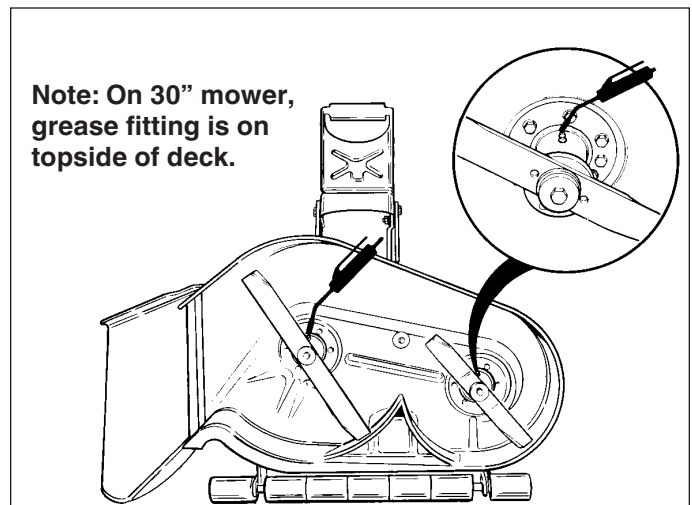


Figure 16. Arbor Lubrication Points

## BATTERY MAINTENANCE

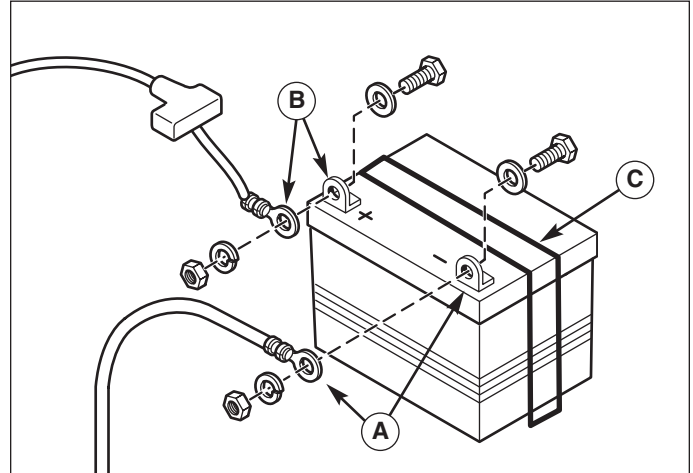
### **⚠ WARNING**

When removing or installing battery cables, disconnect the negative cable **FIRST** and reconnect it **LAST**. If not done in this order, the positive terminal can be shorted to the frame by a tool.

### Cleaning the Battery and Cables

#### Service Interval: Every 100 Hours

1. Disconnect the cables from the battery, negative cable first (A, Figure 17).
2. Remove the battery hold-down (C) and battery.
3. Clean the battery compartment with a solution of baking soda and water.
4. Clean the battery terminals and cable ends with a wire brush and battery terminal cleaner until shiny.
5. Reinstall the battery in the battery compartment, and secure with the battery hold down (C).
6. Reattach the battery cables, positive cable first (B).
7. Coat the cable ends and battery terminals with petroleum jelly or non-conducting grease.



**Figure 17. Battery**

- A. Negative Battery Terminal & Cable**
- B. Positive Battery Terminal & Cable**
- C. Hold Down Strap**

## LUBRICATE REAR AXLE SHAFTS

#### Service Interval: Yearly

We recommend removing the rear wheel hubs and lubricating the axle shafts yearly. This prevents the wheel hubs from seizing onto the axle shaft and makes future service easier.

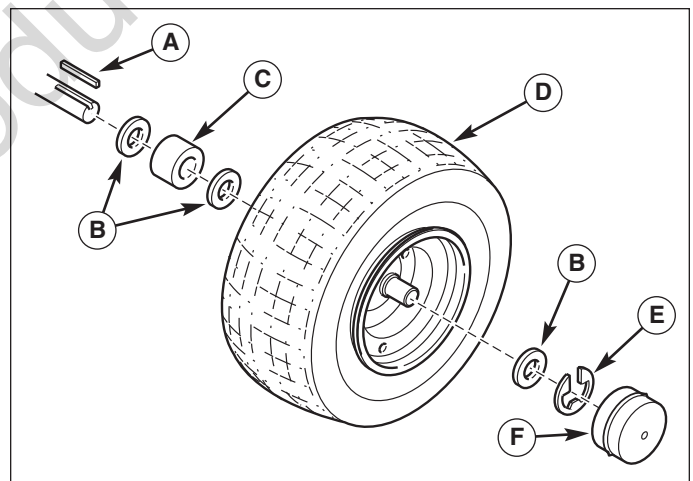
1. Turn off the ignition, turn off the PTO, engage the parking brake, and block the front tires.
2. Using a jack or chain hoist positioned at the center of the rear frame, carefully jack the unit up until the rear tires are approximately 1" - 2" (2.5-5 cm) off the ground.

*NOTE: For overall unit stability during service, do not jack rear end higher than required for wheel removal.*

3. Support the rear of the unit on jackstands positioned under the rear frame.

*NOTE: Your axle assembly may differ slightly from the assembly pictured: the quantity of washers is adjusted on a tractor by tractor basis during assembly to allow a small amount of axle end-play.*

4. Remove the hardware retaining the wheel assembly to the axle and lubricate the axle shaft using anti-seize compound or lithium grease.
5. Reinstall the components in reverse order of disassembly and lower the unit. Be sure the key (A, Figure 18) is in place in the axle keyway.



**Figure 18. Rear Axle Hardware**

- A. Key**
- B. Washer**
- C. Spacer**
- D. Wheel & Hub**
- E. Retaining Ring**
- F. Axle Cap**

## Regular Maintenance

### SERVICING THE MOWER BLADES

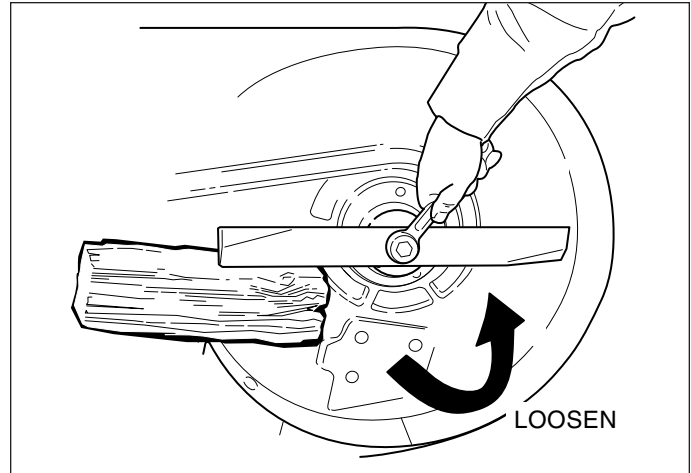
#### **⚠ WARNING**

For your personal safety, do not handle the sharp mower blades with bare hands. Careless or improper handling of blades may result in serious injury.

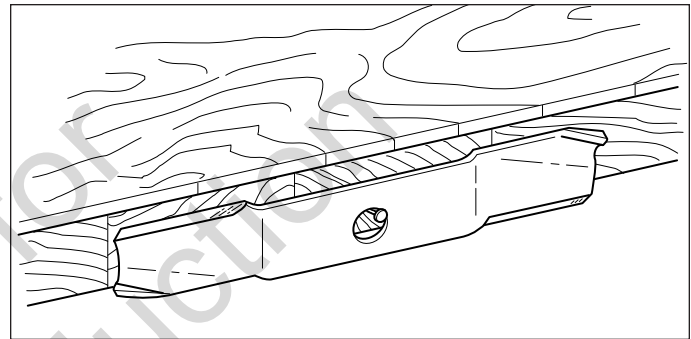
1. Remove mower from the rider.
2. Blades should be sharp and free of nicks and dents. If not, sharpen blades as described in following steps.
3. To remove blade for sharpening, use wooden block to hold blade while removing the blade mounting cap-screw (Figure 19).
4. Use a file to sharpen blade to fine edge. Remove all nicks and dents in blade edge. If blade is severely damaged, it should be replaced.
5. Balance the blade as shown in Figure 20. Center the blade's hole on a nail lubricated with a drop of oil. A balanced blade will remain level.
6. Reinstall each blade with the tabs pointing up toward deck as shown in Figure 21. Secure with a capscrew (D), cup washer (C) and hex washer (B). Use a wood-en block (A) to prevent blade rotation and torque cap-screws to 45-55 ft-lbs (61-75 Nm).

#### **⚠ WARNING**

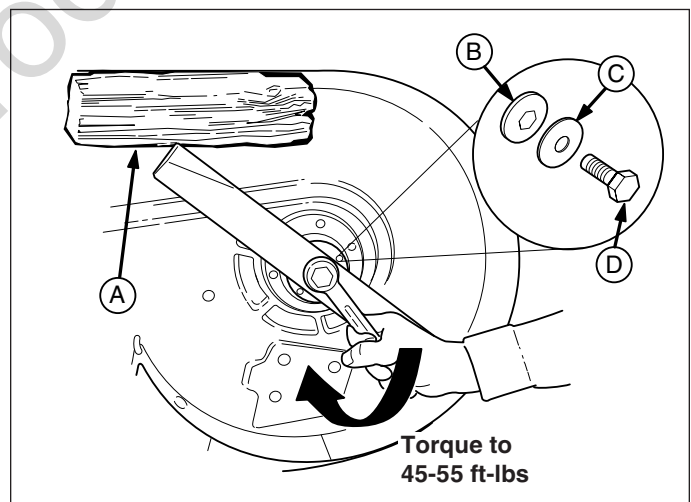
For your personal safety, blade mounting capscrews must each be installed with a hex washer and spring washer, then securely tightened. Torque blade mounting capscrew to 45-55 ft-lbs (61-75 N-m.)



**Figure 19. Removing The Blade**



**Figure 20 Balancing The Blade**



**Figure 21. Installing The Blade**

- |                 |               |
|-----------------|---------------|
| A. Wooden Block | C. Cup Washer |
| B. Hex Washer   | D. Capscrew   |



# Troubleshooting Adjustments & Service

## TROUBLESHOOTING

While normal care and regular maintenance will extend the life of your equipment, prolonged or constant use may eventually require that service be performed to allow it to continue operating properly.

The troubleshooting guide below lists the most common problems, their causes and remedies.

See the information on the following pages for instructions on how to perform most of these minor adjustments and service repairs yourself. If you prefer, all of these procedures can be performed for you by your local authorized dealer.

## WARNING

To avoid serious injury, perform maintenance on the tractor or mower only when the engine is stopped and the parking brake engaged.

Always remove the ignition key, disconnect the spark plug wire and fasten it away from the plug before beginning the maintenance, to prevent accidental starting of the engine.

## TROUBLESHOOTING THE RIDER

PROBLEM	CAUSE	REMEDY
Engine will not turnover or start.	<ol style="list-style-type: none"> <li>1. Ground speed control lever not in neutral-start position.</li> <li>2. PTO (electric clutch) switch in ON position.</li> <li>3. Out of fuel.</li> <li>4. Engine flooded.</li> <li>5. Circuit breaker tripped.</li> <li>6. Battery terminals require cleaning.</li> <li>7. Battery discharged or dead.</li> <li>8. Wiring loose or broken.</li> <li>9. Solenoid or starter motor faulty.</li> <li>10. Safety interlock switch faulty.</li> <li>11. Spark plug(s) faulty, fouled or incorrectly gapped.</li> <li>12. Water in fuel.</li> <li>13. Old stale gas.</li> <li>14. Brake pedal not depressed.</li> </ol>	<ol style="list-style-type: none"> <li>1. Shift into neutral.</li> <li>2. Place in OFF position.</li> <li>3. If engine is hot, allow it to cool, then refill the fuel tank.</li> <li>4. Open the CHOKE.</li> <li>5. Wait one minute for automatic reset. Replace if defective (see your dealer).</li> <li>6. See "Normal Care" section.</li> <li>7. Recharge or replace.</li> <li>8. Visually check wiring &amp; replace broken or frayed wires. Tighten loose connections.</li> <li>9. Repair or replace. (See your dealer.)</li> <li>10. Replace if needed. (See your dealer.)</li> <li>11. Clean and gap or replace. See Engine Manual.</li> <li>12. Drain fuel &amp; refill with fresh fuel.</li> <li>13. Drain fuel &amp; replace with fresh fuel.</li> <li>14. Depress pedal.</li> </ol>
Engine starts hard or runs poorly.	<ol style="list-style-type: none"> <li>1. Fuel mixture too rich.</li> <li>2. Carburetor adjusted incorrectly.</li> <li>3. Spark plug(s) faulty, fouled, or incorrectly gapped.</li> </ol>	<ol style="list-style-type: none"> <li>1. Open the CHOKE. If problem persists, clean the air filter. (See Engine Manual.)</li> <li>2. See Engine Manual.</li> <li>3. Clean &amp; gap or replace. See Engine Manual.</li> </ol>
Engine knocks.	<ol style="list-style-type: none"> <li>1. Low oil level.</li> <li>2. Using wrong grade oil.</li> </ol>	<ol style="list-style-type: none"> <li>1. Check/add oil as required.</li> <li>2. See Engine Manual.</li> </ol>
Excessive oil consumption.	<ol style="list-style-type: none"> <li>1. Engine running too hot.</li> <li>2. Using wrong weight oil.</li> <li>3. Too much oil in crankcase.</li> </ol>	<ol style="list-style-type: none"> <li>1. Clean engine fins, blower screen and air cleaner.</li> <li>2. See Engine Manual.</li> <li>3. Drain excess oil.</li> </ol>
Engine exhaust is black.	<ol style="list-style-type: none"> <li>1. Dirty air filter.</li> <li>2. Choke not fully open.</li> </ol>	<ol style="list-style-type: none"> <li>1. Clean air filter. See Engine Manual.</li> <li>2. Open CHOKE. If problem persists, check air filter and carburetor adjustments. See Engine Manual.</li> </ol>

# Troubleshooting, Adjustments & Service

## Troubleshooting the Rider (Continued)

PROBLEM	CAUSE	REMEDY
Engine runs, but rider will not drive.	<ol style="list-style-type: none"> <li>1. Ground speed control lever in neutral.</li> <li>2. Transmission release lever in "push" position.</li> <li>3. Belt is broken.</li> <li>4. Drive belt slips.</li> <li>5. Brake is not fully released.</li> </ol>	<ol style="list-style-type: none"> <li>1. Shift in forward or reverse.</li> <li>2. Move into drive position.</li> <li>3. See "Drive Belt Replacement."</li> <li>4. See problem and cause below.</li> <li>5. See "Brake Adjustment."</li> </ol>
Rider drive belt slips.	<ol style="list-style-type: none"> <li>1. Clutch is out of adjustment.</li> <li>2. Pulleys or belt greasy or oily.</li> <li>3. Belt stretched or worn.</li> <li>4. Idler pulley pivot bracket "frozen" in declutched position.</li> </ol>	<ol style="list-style-type: none"> <li>1. See your dealer.</li> <li>2. Clean as required.</li> <li>3. Replace with correct belt.</li> <li>4. Remove idler pulley, clean and lubricate.</li> </ol>
Brake will not hold.	<ol style="list-style-type: none"> <li>1. Brake is incorrectly adjusted.</li> <li>2. Internal brake disc on transaxle worn.</li> </ol>	<ol style="list-style-type: none"> <li>1. See "Brake Adjustment."</li> <li>2. See your dealer.</li> </ol>
Rider steers hard or handles poorly.	<ol style="list-style-type: none"> <li>1. Steering linkage is loose.</li> <li>2. Improper tire inflation.</li> <li>3. Spindle bearings dry.</li> </ol>	<ol style="list-style-type: none"> <li>1. Check and tighten any loose connections. See "Steering Gear Adjustment."</li> <li>2. Check and correct.</li> <li>3. Grease spindles. See "Lubricating the Rider."</li> </ol>

## TROUBLESHOOTING THE MOWER

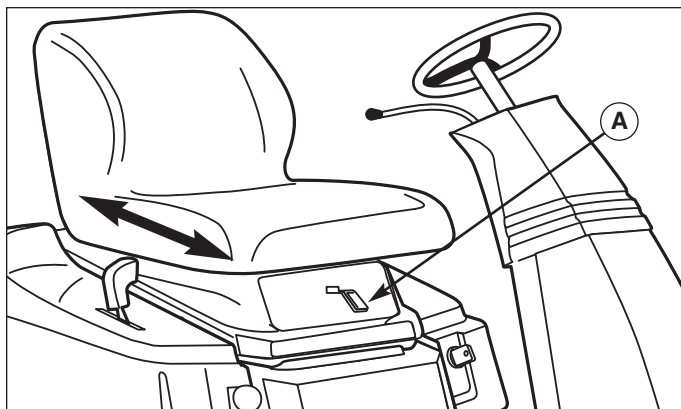
PROBLEM	CAUSE	REMEDY
Mower will not raise.	<ol style="list-style-type: none"> <li>1. Lift cable not properly attached or damaged.</li> </ol>	<ol style="list-style-type: none"> <li>1. Attach or repair.</li> </ol>
Mower cut is uneven.	<ol style="list-style-type: none"> <li>1. Mower not leveled properly.</li> <li>2. Rider tires not inflated equally or properly.</li> </ol>	<ol style="list-style-type: none"> <li>1. See "Mower Adjustment."</li> <li>2. See "Normal Care."</li> </ol>
Mower cut is rough looking.	<ol style="list-style-type: none"> <li>1. Engine speed too slow.</li> <li>2. Ground speed too fast.</li> <li>3. Blades dull and require sharpening.</li> <li>4. Mower drive belt slipping.</li> <li>5. Check PTO (Electric Clutch) Adjustment.</li> <li>6. Blades not properly fastened.</li> </ol>	<ol style="list-style-type: none"> <li>1. Set to full speed.</li> <li>2. Set ground speed control lever at a slower ground speed.</li> <li>3. See "Servicing the Mower Blades."</li> <li>4. Belt oily or worn. Clean or replace belt as necessary.</li> <li>5. Clutch may need to be adjusted.</li> <li>6. See "Servicing the Mower Blades." to arbors.</li> </ol>
Engine stalls easily with mower engaged.	<ol style="list-style-type: none"> <li>1. Engine speed too slow.</li> <li>2. Ground speed too fast.</li> <li>3. Carburetor not adjusted properly.</li> <li>4. Cutting height set too low when mowing tall grass.</li> <li>5. Discharge chute jamming with cut grass.</li> </ol>	<ol style="list-style-type: none"> <li>1. Set for 3/4 to full throttle.</li> <li>2. Reduce ground speed.</li> <li>3. Adjust carburetor. (See Engine Manual.)</li> <li>4. Cut tall grass at maximum cutting height during first pass.</li> <li>5. Cut grass with discharge pointing toward previously cut area.</li> </ol>
Excessive mower vibration.	<ol style="list-style-type: none"> <li>1. Blade mounting screws are loose.</li> <li>2. Mower blade(s), arbors, or pulleys are bent.</li> <li>3. Mower blade(s) out of balance.</li> <li>4. Belt installed incorrectly.</li> </ol>	<ol style="list-style-type: none"> <li>1. Tighten to 45-55 ft-lbs (61-75 Nm).</li> <li>2. Check and replace as necessary.</li> <li>3. Remove, sharpen and balance blade(s). See "Servicing the Mower Blade(s)."</li> <li>4. See "Belt Replacement."</li> </ol>
Excessive belt breakage.	<ol style="list-style-type: none"> <li>1. Bent or rough pulleys.</li> <li>2. Using incorrect belt.</li> </ol>	<ol style="list-style-type: none"> <li>1. Repair or replace.</li> <li>2. See your dealer.</li> </ol>
Mower drive belt slips or fails to drive.	<ol style="list-style-type: none"> <li>1. Idler pulley spring broken or not properly attached.</li> <li>2. Mower drive belt broken.</li> </ol>	<ol style="list-style-type: none"> <li>1. See your dealer.</li> <li>2. Replace.</li> </ol>

### **WARNING**

To avoid serious injury, perform adjustments only with engine stopped, key removed and rider on level ground.

### **SEAT ADJUSTMENT**

Use the lever on the front of the seat (A, Figure 22) on to adjust the seat forward or rearward for best rider comfort.

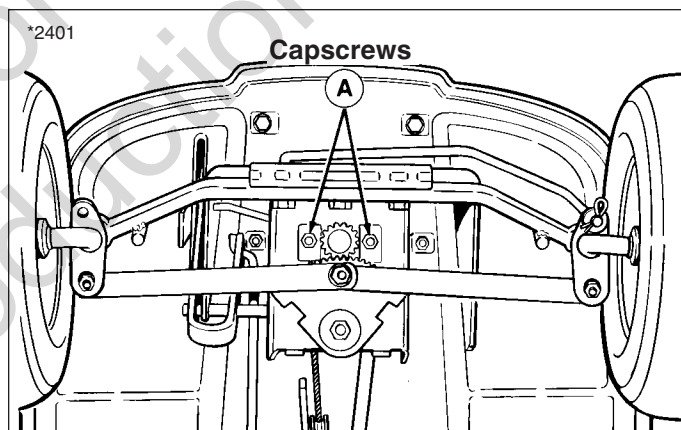


**Figure 22. Seat Adjustment**  
A. Seat Adjustment Lever

### **STEERING GEAR ADJUSTMENT**

If there is excessive slack in the steering system, the steering gear can be re-indexed to the steering shaft.

1. See Figure 23. Loosen the two capscrews (A) and push bracket so that gear teeth are closely meshed.
2. Tighten nuts after adjustment to 35 - 40 ft-lbs.



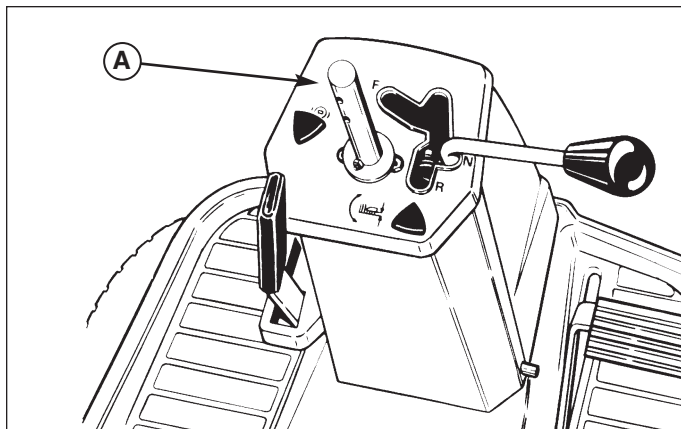
**Figure 23. Steering Gear Adjustment**  
A. Capscrews

### **STEERING WHEEL ADJUSTMENT**

Your unit is equipped with a dual position steering shaft to allow for steering wheel adjustment for rider comfort.

1. Pull down on the rubber boot to expose the two holes in the steering shaft (A, Figure 24).
2. Use a suitable drift to remove the roll pin at the base of the steering wheel.
3. Align the hole in the steering wheel with the appropriate steering shaft hole and install the roll pin.

*NOTE: Steering wheel is factory installed with the roll pin in the bottom hole.*



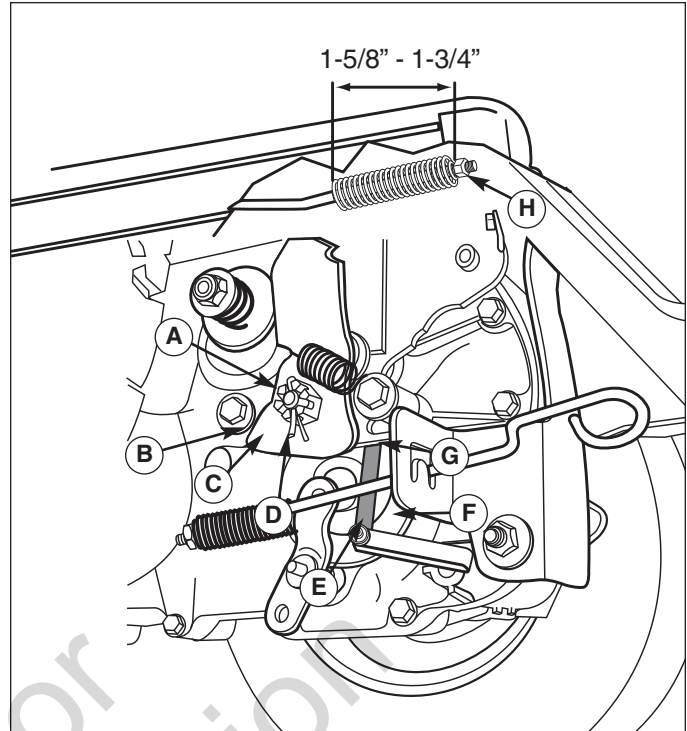
**Figure 24. Steering Wheel Height Adjustment**  
A. Steering Shaft

# Troubleshooting, Adjustments & Service

## BRAKE ADJUSTMENT

### Brake Adjustment

1. Release the parking brake.
2. Brake arm (C, Figure 25) should be touching stop (B).
3. Remove cotter pin (D) and loosen the castle nut (A). Place a 0.015" feeler gauge (E) gap between the brake disc (F) and the brake puck (G).
  - a. To decrease gap, insert feeler gauge in gap and turn nut (A) clockwise until resistance is felt on the feeler gauge. To increase gap, turn nut (A) counter-clockwise and recheck gap.
  - b. Back off nut (counter-clockwise) until the nearest slot is aligned with hole in threads. Replace cotter pin.
4. Set the parking brake. Loosen or tighten adjustment nut (H) to achieve a 1-5/8" - 1-3/4" compressed spring length as shown in Figure 25.



## BLADE BRAKE CHECK

Mower blades and mower drive belt should come to a complete stop within five seconds after electric PTO switch is turned off.

1. With rider in neutral, PTO disengaged and operator in seat, start the rider engine.
2. Look over the left-hand footrest at the mower drive belt. Engage the PTO and wait several seconds. Disengage the PTO and check the amount of time it takes for the mower drive belt to stop.
3. If mower drive belt does not stop within five seconds, see your dealer.

Figure 25. Brake Adjustment

- |               |                   |
|---------------|-------------------|
| A. Castle Nut | E. Feeler Gauge   |
| B. Stop       | F. Brake Disc     |
| C. Brake Arm  | G. Brake Puck     |
| D. Cotter Pin | H. Adjustment Nut |

## MOWER ADJUSTMENTS

If the cut is uneven, the mower may need leveling. Unequal or improper tire pressure may also cause an uneven cut. Make sure tire pressure is correct as specified in Checking Tire Pressure. To achieve proper mower leveling, perform Side-To-Side Leveling, Front-To-Back Leveling and Transport Height Adjustment procedures, in order, as follows.

### Side-To-Side Leveling

1. With the mower installed, place the rider on a smooth, level surface such as a concrete floor. Turn the front wheels straight forward.
2. Check for bent blades and replace if necessary.
3. Loosen nut (C, Figure 26) so trailing arms are loose. Mower must be resting on rollers with no weight on trailing arms.
4. Use the Dial-A-Cut™ Control (E, Figure 27) and place mower in mid-cut position by aligning front edge of mower lift lever (A) with number 2 or 3 on quadrant scale. Make sure mower lift lever is in down position.
5. Make sure rear rollers (C, Figure 28) are on the ground. If not, refer to Transport Height Adjustment.

*NOTE: If rollers do not rest on the ground and it is necessary to perform transport height adjustment, it is necessary to perform transport height adjustment again after all leveling procedures are completed.*

6. Position blade(s) side-to-side and measure distance from outside tip of blade(s) to ground. Measurement should be equal (within 1/8").
7. See Figure 28. On left side of mower, make sure eccentric nut is in correct position as shown. Loosen outside nut (A) and rotate eccentric nut (B) so that flat side with hole closest to it is towards the rear. Tighten outside nut (A) while holding eccentric nut (B).
8. On right side of mower, loosen outside nut (A). Turn eccentric nut (B) counterclockwise to raise side of mower, or clockwise to lower right hand side of mower.

*NOTE: Do not turn eccentric nut more than 1/4 turn in either direction. When adjusted beyond 1/4 turn, nut will move mower in opposite direction than when starting adjustment.*

9. When adjustment is correct, hold eccentric nut (B) and tighten nut (A) to 30 ft-lbs. Check measurement on both sides of mower.

## ⚠ WARNING

Before checking mower, shut off PTO and engine. Allow all moving parts to stop. Remove ignition key, then disconnect the spark plug wire and fasten it away from the spark plug.

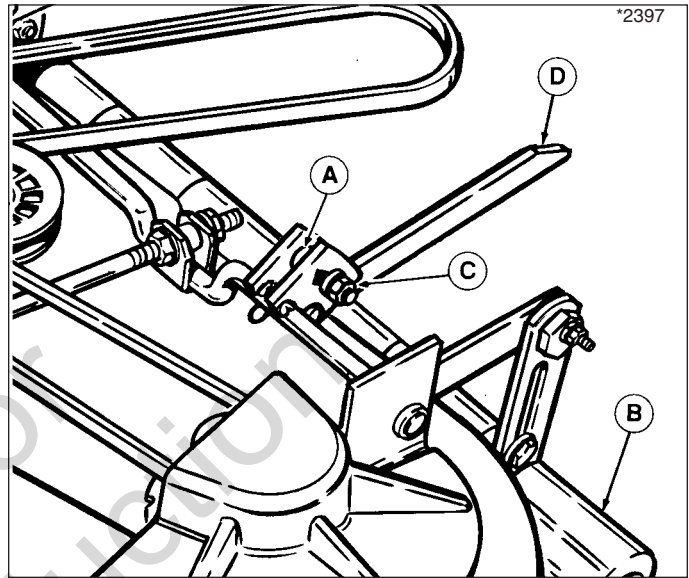


Figure 26. Trailing Arms

- |                       |                       |
|-----------------------|-----------------------|
| A. Spacers            | C. Nut                |
| B. Rear Mower Rollers | D. Rear Trailing Arms |

## ⚠ WARNING

Mower blades are sharp. Turn the mower drive belt to rotate blades into position or wear protective gloves to protect against injury.

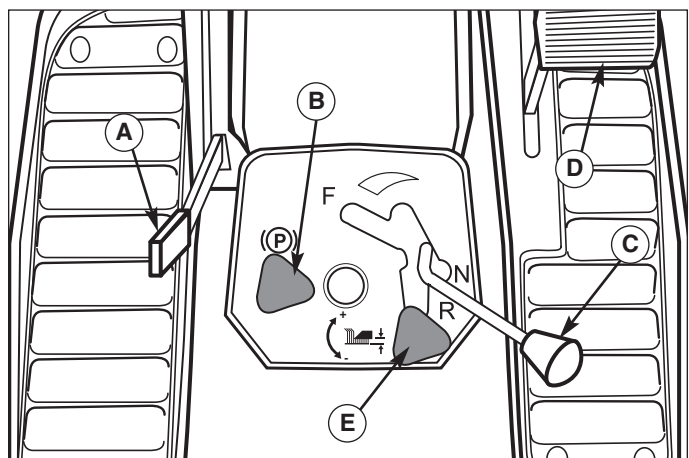
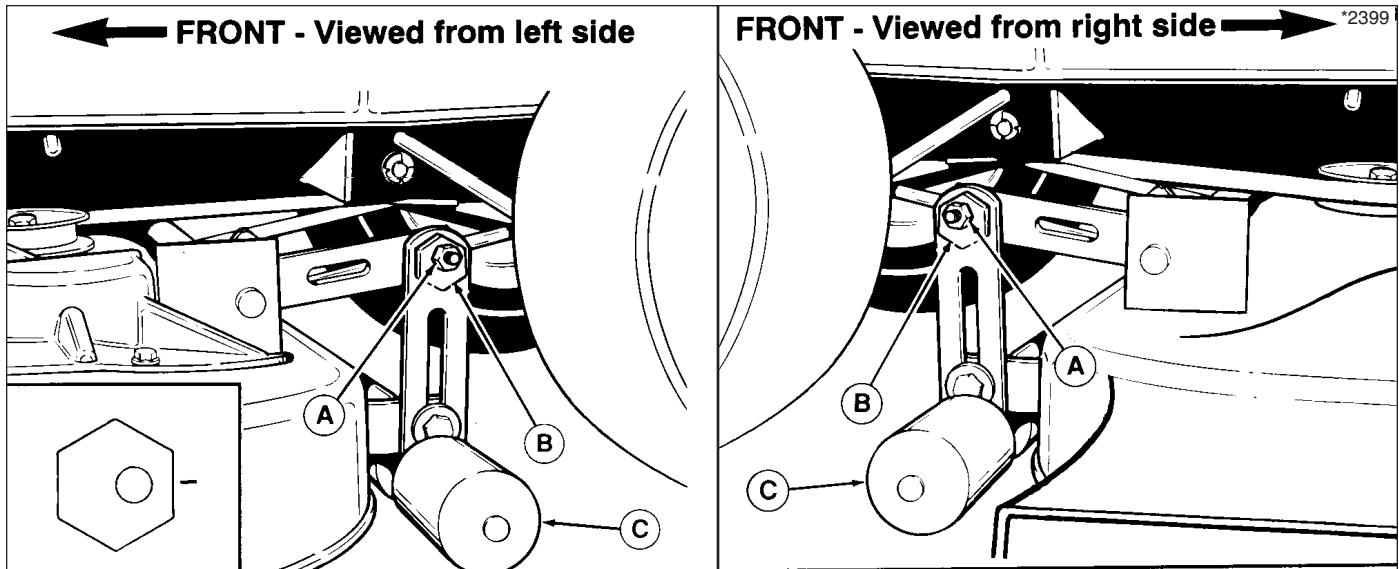


Figure 27. Controls

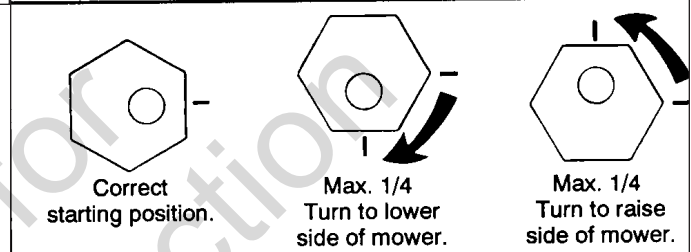
- |                               |                        |
|-------------------------------|------------------------|
| A. Mower Lift Lever           | D. Clutch/Brake Pedal  |
| B. Parking Brake Knob         | E. Dial-A-Cut™ Control |
| C. Ground Speed Control Lever |                        |

# Troubleshooting, Adjustments & Service



**Figure 28. Leveling The Mower Side-to-Side**

- A. Nut**
- B. Eccentric Nut**
- C. Rear Rollers**



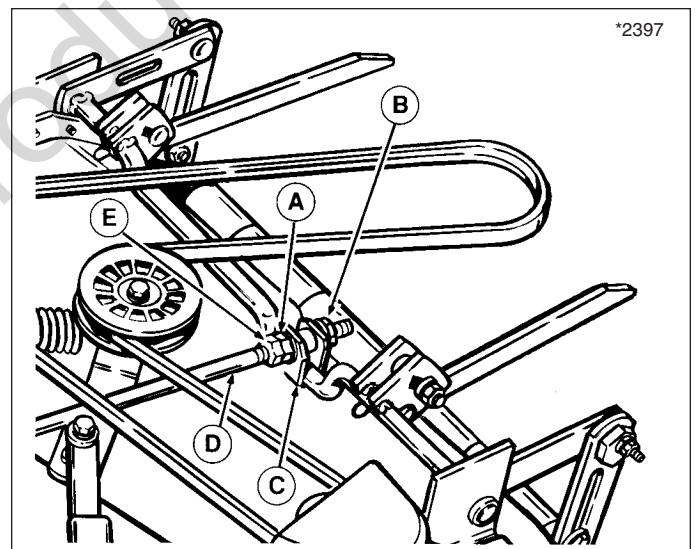
## Front-To-Back Leveling

1. Make sure mower is level side-to-side and that rear rollers are on the ground.
2. Position blade(s) front-to-back. Measure the distance from the ground to front tip of blade(s), and from ground to rear tip of blade(s).

**On 30" mower**, the front tip should be level to 1/8" (3 mm) higher than rear tip.

**On 34" mower**, the front tips should be 1/4" (6 mm) higher than the rear tips.

3. See Figure 29. Loosen jam nut (E). To lower rear of mower deck, loosen nut (B) which will lengthen leveling rod (D). To raise rear of deck, shorten leveling rod (D). When proper measurement is obtained, tighten nut (A) against bracket, then tighten jam nut (E) against nut (A).



**Figure 29. Front-To-Back Levelling**

- A. Adjustment Nut**
- B. Rear Nut**
- C. Bracket**
- D. Levelling Rod**
- E. Jam Nut**

### Transport Height Adjustment

Transport height should be adjusted so that rear mower rollers are 1/8" - 1/4" (3-6 mm) above ground when mower lift lever is in transport position. To adjust, perform both mower leveling procedures first, then do the following procedure.

See Figure 30.

1. Park rider on a flat level surface.
2. Adjust Dial-A-Cut™ control so that front edge of mower lift lever is aligned with 2-3/4" mark (34" mower) or at 3" mark (30" mower) on the quadrant scale.
3. Loosen nut (C) and position spacer (A) against rear trailing arms (D). Position both the left and right side spacers against trailing arms.
4. Tighten nut (C) securely.
5. Place mower lift lever in transport position. Rear mower rollers should be 1/8" - 1/4" off ground. If not, repeat Steps 2 - 4.

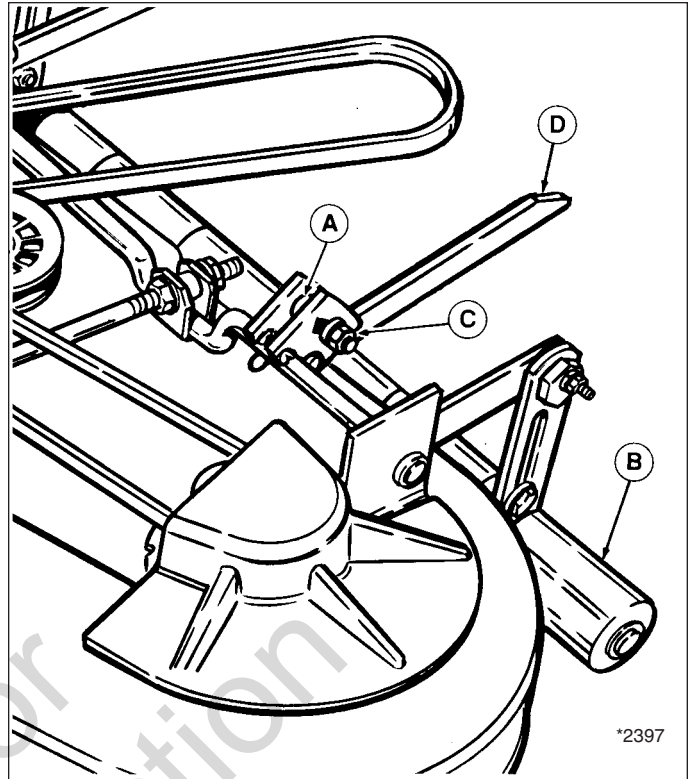


Figure 30. Transport Height Adjustment

A. Spacers  
B. Rear Mower Rollers  
C. Nut  
D. Rear Trailing Arms

### BATTERY CHARGING

#### **⚠ WARNING**

**Keep open flames and sparks away from the battery; the gases coming from it are highly explosive. Ventilate the battery well during charging.**

A dead battery or one too weak to start the engine may be the result of a defect in the charging system or other electrical component. If there is any doubt about the cause of the problem, see your dealer. If you need to replace the battery, follow the steps under "Cleaning the Battery & Cables" in the REGULAR MAINTENANCE section.

To charge the battery, follow the instructions provided by the battery charger manufacturer, as well as, all warnings included in the safety rules sections of this book. Charge the battery until fully charged (until the specific gravity of the electrolyte is 1.250 or higher and the electrolyte temperature is at least 60° F). Do not charge at a rate higher than 10 amps.

# Troubleshooting, Adjustments & Service



To avoid damaging belts, DO NOT PRY BELTS OVER PULLEYS.

## RIDER DRIVE BELT REPLACEMENT

Replacement of the rider drive belt requires removal of the transmission and carrier frame. Should the drive belt ever fail, contact your dealer for replacement.

## MOWER BELT REPLACEMENT - 30"

See Figure 31.

1. Mower does not need to be removed to install a new belt. However, for easier access, mower can be removed following steps in "Mower Removal and Installation."
2. If mower is not removed, place mower in lowest cutting position. Pull idler pulley arm (A) towards you to relieve belt tension. Remove belt from idler pulley (B) and center arbor pulley (C).
3. Remove belt from front idler pulley (D) and PTO pulley (E).
4. Replace old belt with new belt. Make sure V-side of belt runs in all pulley grooves except for idler pulley (B). Check belt pattern as shown.
5. Install mower if it was removed, and install belt on PTO pulley (E).

## MOWER BELT REPLACEMENT - 34"

See Figure 32.

1. Mower does not need to be removed to install a new belt. However, for easier access, mower can be removed following steps in "Mower Removal and Installation."
2. If mower is not removed, place mower in lowest cutting position. Push idler pulley arm (A, Figure 32) away from you to relieve belt tension. Remove belt from idler pulley (B) and PTO pulley (C).
3. Remove the three capscrews (D, Figure 31) securing the left-hand arbor cover.
4. Remove old belt from arbor pulleys and replace with new belt. Make sure V-side of belt runs in all arbor pulley grooves and flat side of belt runs against idler pulley. See Figure 33 for belt pattern.
5. Install mower if it was removed, and install belt to PTO pulley (C, Figure 32). Push idler arm and install belt around idler pulley.

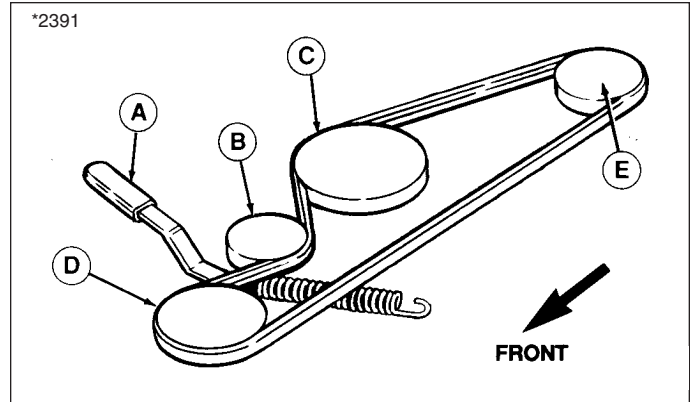


Figure 31 Belt Pattern - 30" Mower

- |                        |                                    |
|------------------------|------------------------------------|
| A. Idler Pulley Arm    | D. Front Idler Pulley              |
| B. Idler Pulley        | E. PTO Pulley<br>(Electric Clutch) |
| C. Center Arbor Pulley |                                    |

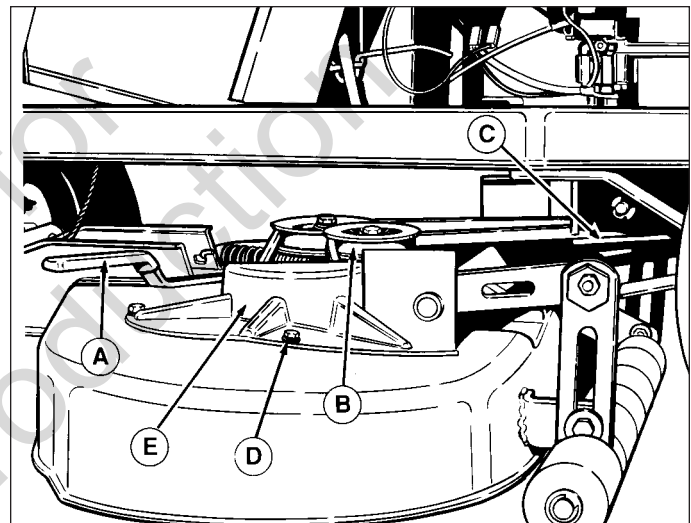


Figure 32. Mower Belt Replacement - 34"

- |                     |                |
|---------------------|----------------|
| A. Idler Pulley Arm | D. Capscrews   |
| B. Idler Pulley     | E. Arbor Cover |
| C. PTO Pulley       |                |

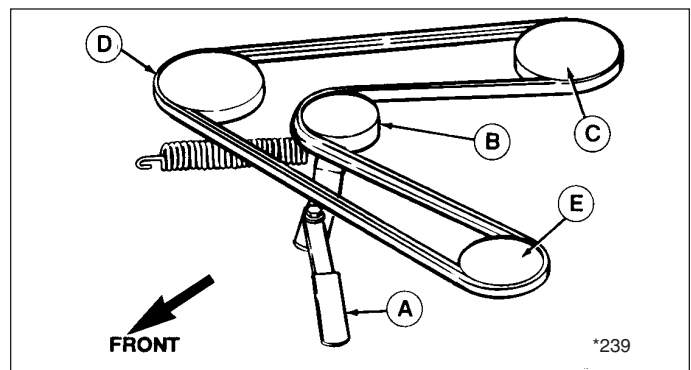


Figure 33. Belt Pattern - 34" Mower

- |                     |                       |
|---------------------|-----------------------|
| A. Idler Arm Pulley | D. Right Arbor Pulley |
| B. Idler Pulley     | E. Left Arbor Pulley  |
| C. PTO Pulley       |                       |



# Specifications

*NOTE: Specifications are correct at time of printing and are subject to change without notice.*

*\* The gross power rating for individual gas engine models is labeled in accordance with SAE (Society of Automotive Engineers) code J1940 (Small Engine Power & Torque Rating Procedure), and rating performance has been obtained and corrected in accordance with SAE J1995 (Revision 2002-05). Torque values are derived at 3060 RPM; horsepower values are derived at 3600 RPM. Actual gross engine power will be lower and is affected by, among other things, ambient operating conditions and engine-to-engine variability. Given both the wide array of products on which engines are placed and the variety of environmental issues applicable to operating the equipment, the gas engine will not develop the rated gross power when used in a given piece of power equipment (actual "on-site" or net power). This difference is due to a variety of factors including, but not limited to, accessories (air cleaner, exhaust, charging, cooling, carburetor, fuel pump, etc.), application limitations, ambient operating conditions (temperature, humidity, altitude), and engine-to-engine variability. Due to manufacturing and capacity limitations, Briggs & Stratton may substitute an engine of higher rated power for this Series engine.*

## ENGINE

### 13 HP\* Intek OHV — Briggs & Stratton

<b>Horsepower</b>	13 HP @ 3400 rpm
<b>Displacement</b>	21 Cu In. (344 cc)
<b>Electrical</b>	12 Volt, 3 Amp D.C. Battery 230 CCA
<b>Air Cleaner</b>	Pre-Cleaned Air to Paper Filter
<b>Oil Capacity</b>	42-44 oz (1.24-1.4 L) - without filter

### 13.5 HP\* Intek OHV — Briggs & Stratton

<b>Horsepower</b>	13.5 HP @ 3400 rpm
<b>Displacement</b>	21 Cu In. (344 cc)
<b>Electrical</b>	12 Volt, 3 Amp D.C. Battery 230 CCA
<b>Air Cleaner</b>	Pre-Cleaned Air to Paper Filter
<b>Oil Capacity</b>	42-44 oz (1.24-1.4 L) - without filter

### 16 HP\* Command™ — Kohler

<b>Horsepower</b>	16 HP @ 3400 rpm
<b>Displacement</b>	27.9 Cu In. (460 cc)
<b>Electrical</b>	12 Volt, 15 Amp Alternator Battery: 230 CCA
<b>Oil Capacity</b>	64 oz (1.9 L)

## TRANSMISSION

### Hydro Models

<b>Type</b>	Hydrostatic
<b>Lubrication</b>	Transmission is a Sealed Unit
<b>Ground Speeds</b>	Infinite Forward: 0-5.2 MPH (0-8.4 km/h) Reverse: 0-2.3 MPH (0-3.7 km/h)

## CHASSIS

<b>Front Wheels</b>	Tire Size 13 x 5.00-6 Pneumatic Inflation Pressure 10 -12 psi (.68 - .82 bar)
<b>Rear Wheels</b>	Tire Size 16 x 6.50-8 Pneumatic Inflation Pressure 10 -12 psi (.68 - .82 bar)
<b>Fuel Tank</b>	Material: Non-Corrosive Polyethylene Capacity: 2 Gallons (7.5 L)
<b>Turning Radius</b>	Inside Rear Tire 12 In. (30.2 cm)

## DIMENSIONS

<b>Overall Length</b>	61 In. (155 cm)
<b>Overall Width</b>	
- w/30 mower	38.5 In. (97.8 cm)
- w/34 mower	45.5 In. (115.6 cm)
- at rear wheels	33 In. (83.8 cm)
<b>Height at</b>	
- steering wheel	41 In. (104.1 cm)
- seat back	35 In. (88.9 cm)
- engine cover	28 In. (71.1 cm)
<b>Wheel Base</b>	43 In. (109.2 cm)
<b>Weight (approx.)</b>	
- 13 HP w/34" mower	Net: 405 lbs (183 kg)
- 16 HP w/34" mower	Net: 405 lbs (183 kg)

# Parts & Accessories

---

## REPLACEMENT PARTS

Replacement parts are available from your authorized dealer. Always use genuine Simplicity/Snapper service Parts.

## MAINTENANCE ITEMS

Many convenient and helpful service and maintenance items are available from you authorized dealer. Some of these items include:

Engine Oil	Tire Sealant
Touch-Up Paint	Degreaser/Degreaser
Grease Gun Kit	Gas Stabilizer
8 oz. Grease Tube	

## OPTIONAL ACCESSORIES

Twin Bag Grass Catcher	Gas Can
Dump Cart	Front Weight
Hour Meter Kit	

## TECHNICAL MANUALS

Additional copies of this manual are available, as well as fully illustrated parts lists. These manuals show all of the product's components in exploded views (3D illustrations which show the relationship of parts and how they go together) as well as part numbers and quantities used. Important assembly notes and and torque values are also included.

Technical manuals can be downloaded from

[www.simplicitymfg.com](http://www.simplicitymfg.com)

[www.snapper.com](http://www.snapper.com)

<b>Model:</b>	_____
<b>Mfg. No.:</b>	_____
<b>Your Name:</b>	_____
<b>Address:</b>	_____
<b>City, State, Zip:</b>	_____
<b>Visa/Mastercard No.:</b>	_____
<b>Card Expiration Date:</b>	_____

Not for  
Reproduction

Not for  
Reproduction



[www.simplicitymfg.com](http://www.simplicitymfg.com)



[www.snapper.com](http://www.snapper.com)



[www.MasseyLawn.com](http://www.MasseyLawn.com)

Briggs & Stratton Power Products Group, L.L.C.  
Copyright © 2010 Briggs & Stratton Corporation  
Milwaukee, WI USA. All Rights Reserved  
[www.BRIGGSandSTRATTON.com](http://www.BRIGGSandSTRATTON.com)



# MANUAL DEL OPERADOR



## Coronet / 2400 / Serie RE 200

### Tractores hidráulicos de 13 HP

N° de fabricación	Descripción
1694610	Coronet, 13 HP
1694612	Coronet, 13 HP (CE)
1694613	2413H, 13 HP
1694614	2413H, 13 HP (CE)
1694615	RE1330, 13 HP
1694616	RE1330, 13 HP (CE)
1695508	Coronet, 13 HP
1695509	RE1330, 13 HP
2690244	Coronet, cortacésped de 13 HP y 76 cm (30 pulg.)
2690246	Coronet, cortacésped de 13 HP y 76 cm (30 pulg.) (CE)
2690247	2413H, cortacésped de 13 HP y 76 cm (30 pulg.)
2690248	2413H, cortacésped de 13 HP y 76 cm (30 pulg.) (CE)
2690249	RE1330, cortacésped de 13 HP y 76 cm (30 pulg.)
2690250	RE1330, cortacésped de 13 HP y 76 cm (30 pulg.) (CE)
2690800	Coronet, cortacésped de 13,5 HP y 76 cm (30 pulg.)
2690801	RE200, cortacésped de 13,5 HP y 76 cm (30 pulg.)
2690893	Coronet, cortacésped de 13 HP y 76 cm (30 pulg.)

### Tractores hidráulicos de 16 HP

N° de fabricación	Descripción
1694611	Coronet, 16 HP
1695510	Coronet, 16 HP
2690245	Coronet, cortacésped de 16 HP y 86 cm (34 pulg.)
2690802	Coronet, cortacésped de 16 HP y 86 cm (34 pulg.)

### Plataformas del cortacésped de 76 cm (30 pulg.)

N° de fabricación	Descripción
1692543	Plataformas del cortacésped de 76 cm (30 pulg.)
1694053	Plataforma del cortacésped de 76 cm (30 pulg.)
1694511	Plataforma del cortacésped de 76 cm (30 pulg.) (CE)
1694513	Plataforma del cortacésped de 76 cm (30 pulg.)
1694537	Plataforma del cortacésped de 76 cm (30 pulg.)

### Plataformas del cortacésped de 86 cm (34 pulg.)

N° de fabricación	Descripción
1692545	Plataformas del cortacésped de 86 cm (34 pulg.)
1694191	Plataforma del cortacésped de 86 cm (34 pulg.)

Not for  
Reproduction

# Tabla de contenido

<b>Normas de seguridad e información</b> .....	4	<b>Localización de fallas, ajustes y reparaciones</b> .....	25
<b>Números de identificación</b> .....	9	Localización de fallas del tractor .....	25
<b>Calcomanías de seguridad</b> .....	10	Localización de fallas del cortacésped .....	26
<b>Características y controles</b> .....	12	Ajuste del asiento .....	27
Funciones de los controles.....	12	Ajuste del mecanismo de dirección .....	27
Sistema de bloqueo de seguridad .....	14	Ajuste del volante .....	27
<b>Manejo del tractor</b> .....	14	Ajuste del freno .....	28
General .....	14	Verificación del freno de las cuchillas.....	28
Carga de combustible .....	14	Ajustes del cortacésped .....	29
Comprobaciones previas a la puesta en marcha.....	14	Carga de la batería .....	31
Funcionamiento del pedal del freno .....	15	Reemplazo de la correa de transmisión del tractor .....	32
Arranque del motor.....	15	Reemplazo de la correa del cortacésped .....	32
Selección de velocidad de avance y velocidad del motor .....	16	<b>Especificaciones</b> .....	33
Detención del tractor .....	16	<b>Piezas y accesorios</b> .....	34
Manejo del cortacésped .....	16		
Corte de césped marcha atrás .....	17		
Operación de accesorios marcha atrás.....	17		
Empuje manual del tractor .....	17		
Retiro e instalación del cortacésped.....	18		
Almacenamiento .....	19		
<b>Mantenimiento regular</b> .....	20		
Programa de mantenimiento .....	20		
Verificación de la presión de los neumáticos.....	20		
Elevación de la plataforma del asiento .....	21		
Carga de combustible .....	21		
Filtro de combustible .....	21		
Cambio de aceite y filtro .....	21		
Verificación/Cambio del filtro de aire .....	21		
Reemplazo de la bujía .....	21		
Lubricación.....	22		
Mantenimiento de la batería .....	23		
Limpieza de la batería y de los cables .....	23		
Lubricación de los ejes traseros .....	23		
Mantenimiento de las cuchillas del cortacésped.....	24		

*NOTA: En este manual se hace referencia a "izquierda" y "derecha" desde la posición de operación.*



## Manejo del equipo con seguridad

Felicitaciones por la compra de un equipo de calidad superior para el jardín. Nuestros productos están diseñados y fabricados para cumplir o exceder todas las normas de seguridad del sector.

Este equipo sólo es tan seguro como lo sea su operador. Si se mal utiliza, o no se realiza un mantenimiento correcto, ¡puede ser peligroso! Recuerde, usted es responsable de su seguridad y de aquellos que lo rodean.

Use el sentido común y planifique detenidamente lo que haga. Si no está seguro de que la tarea que va a llevar a cabo se pueda realizar con el equipo escogido con seguridad, pídale consejo a un profesional: o comuníquese con el distribuidor local.

## Lea el manual

El manual del operador contiene información de seguridad importante que necesita saber ANTES de que opere su unidad, así como también, DURANTE la operación.

Incluye técnicas de operación segura, una explicación de las características y los controles del producto e información de mantenimiento, todo esto para ayudarlo a aprovechar al máximo la inversión que realizó en el equipo.

Asegúrese de leer todas las reglas y la información de seguridad que se encuentran en las páginas siguientes. También lea por completo la sección de Funcionamiento.



## Niños

Pueden ocurrir accidentes graves con los niños. No les permita estar cerca del área de operación. Con frecuencia los niños se ven atraídos por la unidad y la actividad de corte de césped. Nunca dé por hecho que los niños vayan a permanecer en el último lugar en el que los vio. Si hay riesgo de que puedan ingresar niños al área donde está cortando césped, solicite a otro adulto responsable que los vigile.

**¡NO LLEVE NIÑOS EN LA UNIDAD!** Esto les anima a acercarse a la unidad posteriormente mientras está en funcionamiento, con lo que podrían resultar gravemente heridos. Es posible que se acerquen a la unidad para que los lleve cuando usted no lo espere y podría atropellarlos.

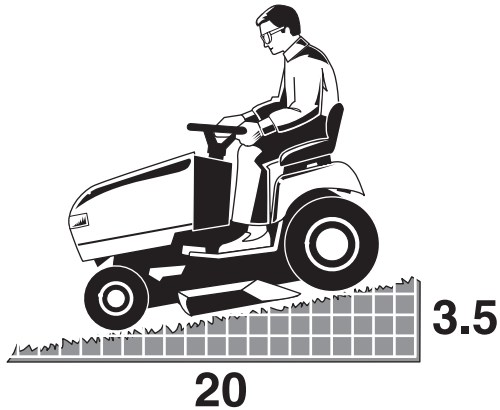
## Marcha atrás

No corte césped en marcha atrás a menos que sea absolutamente necesario. Mire siempre hacia abajo y hacia atrás antes y durante su recorrido en marcha atrás, incluso cuando las cuchillas del cortacésped estén desenganchadas.





## Funcionamiento en pendientes



Puede lesionarse gravemente o incluso matarse si usa esta unidad en una pendiente muy empinada. Usar la unidad en una pendiente que es muy empinada o donde no tenga la tracción adecuada podría hacerle perder el control o volcarse.

Una buena regla general es no operar en ninguna pendiente en que no pueda dar marcha atrás (en modo con tracción en 2 ruedas). No debe operar en superficies inclinadas con una pendiente mayor que un aumento de 106 cm (3,5 pies) en una longitud de 607 cm (20 pies). Siempre suba y baje las pendientes, nunca las cruce en ángulo.

Observe también que la superficie por la que conduce puede afectar de gran manera la estabilidad y el control. El césped mojado o el pavimento con hielo pueden afectar seriamente su capacidad para controlar la unidad.

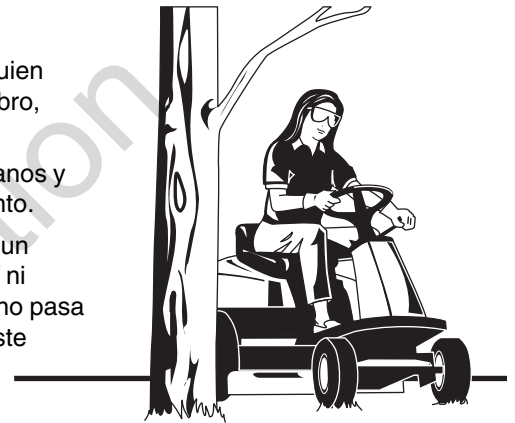
Si se siente inseguro de operar la unidad sobre una pendiente, no lo haga. No vale la pena el riesgo.

## Piezas móviles

Este equipo tiene muchas piezas móviles que pueden lesionarlo a usted o a alguien más. Sin embargo, si se sienta correctamente y sigue todas las reglas de este libro, puede operar de manera segura la unidad.

La plataforma del cortacésped tiene cuchillas giratorias que pueden amputar manos y pies. No permita que nadie esté cerca del equipo mientras está en funcionamiento.

Para ayudar al operador a usar este equipo de manera segura, éste cuenta con un sistema de seguridad que funciona con el operador presente. NO intente alterar ni modificar el sistema. Consulte con su distribuidor inmediatamente si el sistema no pasa todas las pruebas del sistema de interbloqueo de seguridad que aparecen en este manual.



## Objetos lanzados

Esta unidad tiene cuchillas giratorias. Estas cuchillas pueden recoger y lanzar desechos que podrían lesionar gravemente a un espectador. Asegúrese de limpiar el área donde cortará el césped ANTES de comenzar a hacerlo.

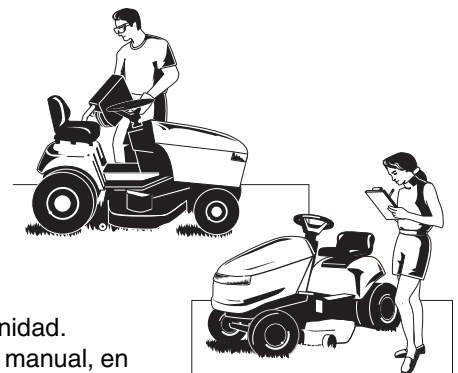
No opere esta unidad sin que estén completamente instalados el recogedor de césped o la protección de descarga (deflector).

Además, ¡no permita que nadie ingrese al área mientras funciona la unidad! Si alguien entra en la zona, apague inmediatamente la unidad y espere a que se vaya.

## Combustible y mantenimiento


La gasolina es extremadamente inflamable. Sus vapores también son extremadamente inflamables y pueden alcanzar fuentes de ignición lejanas. La gasolina solamente se puede utilizar como combustible, no como disolvente o limpiador. Nunca debe guardarse en un lugar donde sus vapores puedan acumularse o alcanzar una fuente de ignición como una luz piloto. El combustible va en un recipiente aprobado, de plástico y sellado, o en el depósito de combustible del tractor con la tapa bien cerrada. El combustible derramado debe limpiarse inmediatamente.

El mantenimiento adecuado es esencial para la seguridad y el rendimiento de su unidad. Asegúrese de realizar los procedimientos de mantenimiento que aparecen en este manual, en especial las comprobaciones regulares del sistema de seguridad.



# Normas de seguridad e información



Lea estas normas de seguridad y respételas estrictamente. Si no se respetan estas normas puede producirse una pérdida de control de la unidad, lesiones personales graves o la muerte para usted o para las personas que estén cerca, o daños en la propiedad o en el equipo. **La plataforma del cortacésped puede llegar a amputar manos y pies, y lanzar objetos.** El triángulo  en el texto representa precauciones o advertencias importantes que se deben seguir.

## FUNCIONAMIENTO GENERAL

1. Lea, comprenda y siga todas las instrucciones del manual o de la unidad antes de empezar a utilizarla.
2. No coloque las manos o pies cerca de las piezas giratorias ni debajo de la máquina. Manténgase lejos de la abertura de descarga en todo momento.
3. Permita que sólo adultos responsables (familiarizados con las instrucciones) operen la unidad (los reglamentos locales pueden imponer restricciones relacionadas con la edad del operador).
4. Despeje la zona de objetos como piedras, juguetes, cables, etc. que las cuchillas podrían recoger y lanzar.
5. Asegúrese de que no hayan personas en el área antes de empezar a cortar el césped. Detenga la unidad si alguien entra en la zona.
6. Nunca lleve pasajeros.
7. No corte césped en marcha atrás a menos que sea absolutamente necesario. Mire siempre detrás y debajo antes de desplazarse hacia atrás y durante esa operación.
8. No realice la descarga en ningún caso apuntando hacia una persona en la operación. No realice la descarga del material contra una pared u otro tipo de obstrucción. Los materiales pueden rebotar hacia el operador. Detenga las cuchillas cuando cruce sobre superficies con grava.
9. No haga funcionar la máquina sin que el recogedor de césped, la protección de descarga (deflector) y los demás dispositivos de seguridad estén en su lugar.
10. Reduzca la velocidad antes de realizar giros.
11. Nunca deje una unidad en funcionamiento sin vigilancia. Siempre desenganche la toma de fuerza (PTO, por sus siglas en inglés), ponga el freno de estacionamiento, detenga el motor y retire las llaves antes de desmontar la unidad.
12. Desenganche las cuchillas (PTO) cuando no vaya a utilizar la unidad. Apague el motor y espere a que todas las piezas se detengan antes de limpiar la máquina, al retirar el recogedor de césped o al desbloquear la protección de descarga.
13. Utilice la máquina sólo con la luz del día o con buena iluminación artificial.
14. No utilice la unidad mientras esté bajo los efectos del alcohol o las drogas.
15. Manténgase alerta ante el tráfico al estar cerca de calzadas o al cruzarlas.
16. Tenga especial cuidado cuando cargue o descargue la unidad en un remolque o camión.
17. Utilice siempre protecciones oculares cuando utilice la unidad.
18. Los datos indican que los operadores de 60 años o más están involucrados en un gran porcentaje de las lesiones relacionadas con equipos motorizados. Estos operadores deben evaluar su capacidad de operar el equipo de manera lo suficientemente segura como para evitar lesiones, en ellos mismos o a terceros.
19. Siga las recomendaciones del fabricante sobre los pesos o contrapesos de las ruedas.
20. Tenga presente que el operador es el responsable de los accidentes que puedan sufrir otras personas o la propiedad.
21. Todos los conductores deben buscar y obtener instrucciones prácticas y profesionales.
22. Vista siempre pantalones y calzados sólidos. Nunca opere descalzo o calzando sandalias.
23. Antes de utilizar la unidad, siempre deberá comprobar visualmente que las cuchillas y sus piezas metálicas estén en su sitio, intactos y bien firmes. Cambie los componentes gastados o dañados.
24. Desacople los accesorios antes de: llenar el depósito de combustible, retirar elementos anexos, realizar ajustes (a menos que el ajuste se pueda realizar desde la posición del operador).
25. Al estacionar, almacenar o dejar sin vigilancia la máquina, baje los elementos cortantes, a menos que se utilice un cierre mecánico efectivo.
26. Antes de dejar la posición del operador por cualquier motivo, enganche el freno de estacionamiento (si se incluye), desenganche la toma de fuerza, detenga el motor y saque la llave.
27. Para reducir el riesgo de incendio, mantenga la unidad libre de césped, hojas o exceso de lubricantes. No detenga ni estacione la unidad sobre hojas o césped secos, ni sobre materiales combustibles.
28. Constituye una infracción del artículo 4442 del California Public Resource Code el utilizar u operar el motor en la proximidades de terrenos boscosos o de rastrojo, o que estén cubiertos de césped, a menos que el sistema de escape esté equipado con un dispositivo antichispas que cumpla con todas las leyes locales o estatales. Otros estados o territorios federales pueden tener leyes similares.

## TRANSPORTE Y ALMACENAMIENTO

1. Cuando transporte la unidad sobre un remolque abierto, asegúrese de que esté orientado hacia adelante, en la dirección del viaje. Si la unidad está orientada hacia atrás, el empuje del viento podría dañarla.
2. Siga siempre prácticas seguras de carga y manipulación de combustible al cargar combustible en la unidad después del transporte o almacenaje.
3. No almacene la unidad (con combustible) en estructuras cerradas de poca ventilación. Los vapores del combustible pueden llegar hasta una fuente de ignición (como un horno, un calentador de agua, etc.) y provocar una explosión. El vapor de combustible es también tóxico para los humanos y animales.
4. Siempre siga las instrucciones del manual de motor para preparaciones para almacenaje, antes de almacenar la unidad, tanto para períodos cortos como largos.
5. Siempre siga las instrucciones del manual de motor para procedimientos adecuados de arranque al colocar la unidad nuevamente en servicio.
6. Nunca almacene la unidad ni el depósito de combustible en donde haya una llama expuesta o de encendido, como en el calentador de agua. Deje que la unidad se enfríe antes de proceder a su almacenamiento.

## OPERACIÓN EN PENDIENTES

Las pendientes son un factor de gran pérdida en los casos de pérdida de control y en los accidentes en los que vuelca el cortacésped, que pueden resultar en lesiones graves o incluso la muerte. Es necesario tener precaución adicional al operar en todo tipo de pendientes. Si no puede ir hacia atrás sobre una pendiente o no se siente seguro sobre la pendiente, no opere sobre ella.

El control de una máquina de empuje o de conducción que se deslice sobre una pendiente no se recuperará mediante el accionamiento del freno. Las principales causas de pérdida de control son: el agarre insuficiente de los neumáticos sobre el suelo, el exceso de velocidad, el accionamiento incorrecto del freno, la inadecuación de la máquina para el uso concreto, la falta de percepción de las condiciones del suelo, o el enganche o la distribución de cargas incorrectos.

1. Corte el césped en pendientes hacia arriba y hacia abajo, no de manera horizontal.
2. Preste atención ante posibles hoyos, surcos o golpes. El terreno irregular podría hacer que la unidad se vuelque. El césped alto puede ocultar obstáculos.
3. Escoja una velocidad lenta para no tener que detenerse o cambiar la velocidad mientras esté en la pendiente.
4. No corte el césped húmedo. Los neumáticos podrían perder tracción.
5. Siempre mantenga la unidad enganchada, en especial al recorrer las pendientes hacia abajo. No ponga la marcha en neutro para bajar por pendientes.
6. Evite arrancar, detenerse, o girar sobre las pendientes. Si los neumáticos pierden tracción, desenganche las cuchillas y baje lentamente la pendiente.
7. Todo desplazamiento en pendientes deberá ser lento y gradual. No realice cambios repentinos en la velocidad o en la dirección que puedan hacer volcar a la máquina.
8. Ponga la mayor atención cuando haga funcionar la máquina con recogedores de césped u otros accesorios, ya que pueden afectar a la estabilidad de la unidad. No se debe utilizar en pendientes pronunciadas.
9. No intente estabilizar la máquina colocando su pie sobre el piso (en unidades de conducción).
10. No corte el césped cerca de bajadas, zanjas o terraplenes. El cortacésped podría volcar si una rueda se sitúa sobre el borde de una zanja o risco, o si el borde cede.
11. No utilice recogedores de césped en pendientes pronunciadas.
12. No corte el césped en pendientes si no puede ir marcha atrás sobre ellas.
13. Consulte a su concesionario/detallista autorizado para obtener recomendaciones sobre pesos y contrapesos para las ruedas para mejorar la estabilidad.
14. Retire obstáculos como piedras, ramas de árboles, etc.
15. Opere a bajas velocidades. Los neumáticos pueden perder tracción en pendientes incluso si los frenos funcionan adecuadamente.
16. No realice giros en pendientes a menos que sea necesario y, en ese caso, haga giros lentos y graduales, siempre hacia abajo si es posible.

## EQUIPO REMOLCADO (UNIDADES DE CONDUCCIÓN)

1. Remolque solamente con una máquina que tenga un enganche diseñado para remolque. No sujete el equipo remolcado a elementos que no sean el punto de enganche.
2. Siga las recomendaciones del fabricante sobre los límites de peso para equipos remolcados y remolque en pendientes.

## ADVERTENCIA

Nunca opere en pendientes de más del 17,6% (10°), que equivalen a un incremento vertical de 106 cm (3-1/2 pies) en un espacio horizontal de 607 cm (20 pies).

Al operar en pendientes use peso en las ruedas o contrapesos adicionales. Consulte con su distribuidor/detallista para determinar qué pesos están disponibles y son adecuados para su unidad.

Seleccione una velocidad de avance lenta antes de empezar a subir una pendiente. Además de las ruedas delanteras, tenga especial precaución al operar en pendientes con recogedores de césped de enganche posterior.

Corte el césped HACIA ARRIBA y HACIA ABAJO en la pendiente, nunca de manera horizontal. Tenga precaución cuando cambie de dirección y NO ARRANQUE NI SE DETENGA SOBRE UNA PENDIENTE.

3. No permita que niños u otras personas se suban al equipo remolcado.
4. Sobre las pendientes, el peso del equipo remolcado puede causar pérdida de tracción y pérdida de control.
5. Vaya despacio y deje una distancia extra para poder detenerse.
6. No ponga la marcha en neutro para bajar por pendientes.

## NIÑOS

Pueden ocurrir accidentes graves si el operador no está atento ante la presencia de niños. Los niños suelen sentirse atraídos por la unidad y por la actividad de cortar el césped. Nunca dé por hecho que los niños vayan a permanecer en el último lugar en el que los vio.

1. Mantenga a los niños fuera del área de corte y bajo la vigilancia atenta de otro adulto responsable.
2. Esté atento y apague el equipo si entran niños en la zona.
3. Antes y durante el avance marcha atrás, mire atrás y hacia abajo para detectar la presencia de niños.
4. Nunca lleve niños, ni siquiera sin las cuchillas. Los niños podrían caerse y lesionarse gravemente, o interferir con la operación segura de la unidad. Los niños que se hayan subido en algún otro momento pueden aparecer repentinamente en la zona en la que esté cortando el césped para que los lleve y pueden caerse o ser atropellados por la máquina.
5. Nunca permita que los niños hagan funcionar la unidad.
6. Tenga sumo cuidado al acercarse a esquinas ciegas, arbustos, árboles u otros objetos que puedan dificultar la visión.

## EMISIONES

1. El humo del motor de este producto contiene agentes químicos que se sabe que (en ciertas cantidades) pueden causar cáncer, malformaciones congénitas u otros perjuicios relacionados con la salud reproductiva.
2. Busque información relevante sobre el Período de permanencia de las emisiones y el Índice en el aire en la etiqueta sobre emisiones del motor.

## SISTEMA DE IGNICIÓN

1. Este sistema de encendido por chispa cumple con la norma ICES-002 canadiense.

## REPARACIÓN Y MANTENIMIENTO

### Manipulación segura de la gasolina

1. Apague todos los cigarrillos, puros, pipas y cualquier otra fuente de ignición.
2. Utilice únicamente contenedores de gasolina aprobados.
3. No retire la tapa de la gasolina ni agregue combustible con el motor en funcionamiento. Deje que el motor se enfríe antes de rellenar con combustible.
4. No agregue combustible en espacios cerrados.
5. No guarde la máquina ni el contenedor de combustible en lugares en los que hayan llamas expuestas, se produzcan chispas o hayan luces piloto, como es el caso de calentadores de agua u otros dispositivos.
6. Nunca llene recipientes dentro de un vehículo o sobre el piso de un camión con cobertores de plástico. Siempre coloque los contenedores sobre el suelo, lejos del vehículo, antes de proceder a llenarlos.
7. Retire del remolque o camión el equipo a gasolina y llene con combustible sobre el suelo. Si no es posible, entonces agregue combustible al equipo sobre un remolque con un contenedor portátil, no con una boquilla de surtidor de gasolina.
8. Mantenga la boquilla en contacto con el borde de la apertura del depósito o contenedor de combustible en todo momento y hasta haber completado el llenado. No utilice dispositivos para bloquear y abrir boquillas.
9. Si se derrama combustible sobre la ropa, cámbiese de inmediato.
10. En ningún caso deberá superar el límite de llenado del depósito de combustible. Vuelva a colocar la tapa de gasolina y ajústela firmemente.
11. Tenga especial precaución cuando manipule gasolina u otros combustibles. Los combustibles son inflamables y sus vapores, explosivos.
12. Si se derrama combustible, no intente poner el motor en marcha: aleje la máquina del área del derrame y evite cualquier fuente de ignición hasta que se hayan disipado los vapores del combustible.
13. Vuelva a colocar firmemente las tapas de los depósitos y de los contenedores de combustible.

### Reparación y mantenimiento

1. Nunca haga funcionar la unidad en espacios cerrados en los que pueda acumularse el monóxido de carbono.
2. Mantenga las tuercas y pernos apretados (especialmente los pernos de acople de las cuchillas) y mantenga el equipo en buenas condiciones.
3. Nunca altere los dispositivos de seguridad. Verifique periódicamente su correcto funcionamiento y realice todas las reparaciones necesarias si no funciona correctamente.
4. Mantenga la unidad libre de césped, hojas u otras acumulaciones de desechos. Limpie posibles derrames de lubricantes o combustible y retire los desechos que puedan resultar impregnados de combustible. Deje que la máquina se enfríe antes de proceder a su almacenamiento.
5. Si golpea cualquier objeto con la unidad, deténgase e inspeccione la máquina. Antes de volver a hacer funcionar la máquina, realice las reparaciones necesarias.
6. No realice ningún tipo de ajuste o reparación con el motor en marcha.
7. Revise con frecuencia los componentes del recogedor de césped y la protección de descarga y, cuando sea necesario, reemplácelos por piezas recomendadas del fabricante.
8. Las cuchillas del cortacésped son elementos cortantes. Retraiga la cuchilla o utilice guantes y emplee la mayor precaución cuando realice operaciones de mantenimiento en ellas.
9. Verifique con frecuencia el funcionamiento de los frenos. Ajuste y realice mantenimiento según sea necesario.
10. Mantenga o reemplace las etiquetas de instrucciones y de seguridad cuando sea necesario.

11. No retire el filtro de gasolina mientras el motor esté caliente; la gasolina que se derrame podría incendiarse. No disperse las abrazaderas del tubo de combustible más allá de lo necesario. Asegúrese de que las abrazaderas sujeten firmemente las mangueras sobre el filtro después de su instalación.
12. No use gasolina que contenga METANOL, gasohol que contenga más de un 10% de ETANOL, aditivos para gasolina ni gas blanco, ya que se puede dañar el sistema del motor/combustible.
13. Si se debe drenar el depósito de combustible, se debe realizar al aire libre.
14. Reemplace los silenciadores defectuosos.
15. Mantenga o reemplace las etiquetas de instrucciones y de seguridad cuando sea necesario.
16. Al realizar reparaciones, sólo use repuestos autorizados por el fabricante.
17. Cumpla siempre las especificaciones de fábrica en todas las configuraciones y ajustes.
18. Sólo se deben utilizar establecimientos autorizados para el mantenimiento y las reparaciones más importantes.
19. Nunca intente realizar reparaciones mayores en esta unidad a no ser que tenga la capacitación necesaria. Los procedimientos de reparación incorrectos pueden resultar en una operación peligrosa, un daño al equipo y la anulación de la garantía del fabricante.
20. En máquinas de cortacésped de múltiples cuchillas, deberá emplear la mayor precaución, ya que una cuchilla puede hacer girar a las demás.
21. No cambie los ajustes del limitador del motor ni revolucione en exceso el motor. La operación de un motor a una velocidad excesiva puede incrementar el riesgo de que se produzcan lesiones personales.
22. Desenganche la transmisión de los accesorios, detenga el motor, retire la llave y desconecte el o los cables de la bujía antes de: despejar obstrucciones de los accesorios y conductos, realizar reparaciones, golpear un objeto o si la unidad vibra anormalmente. Tras golpear un objeto, inspeccione la máquina en busca de posibles daños y haga las reparaciones necesarias antes de volver a poner en marcha y hacer funcionar el equipo.
23. No coloque nunca las manos cerca de componentes móviles, como son el ventilador de refrigeración de la bomba de carburante cuando la unidad esté en funcionamiento (los ventiladores de refrigeración de la bomba de carburante están situadas típicamente en la parte superior del conjunto motriz).
24. Unidades con bombas hidráulicas, mangueras o motores: **ADVERTENCIA:** Los líquidos hidráulicos que escapen a presión puede tener fuerza suficientes para penetrar la piel y causar lesiones graves. Si se inyectan líquidos extraños en la piel, deberán ser eliminados quirúrgicamente en el plazo máximo de unas horas por un médico que esté familiarizado con esta forma de lesiones; en caso contrario podría producirse un cuadro de gangrena. Mantenga el cuerpo y las manos lejos de orificios o boquillas de los que salgan eyectados líquidos hidráulicos a alta presión. Utilice papel o cartón, no las manos, para detectar fugas. Asegúrese de que todas las conexiones de los líquidos hidráulicos estén ajustadas y que todas las mangueras y cables estén en buenas condiciones antes de aplicar presión sobre el sistema. Si se producen fugas, haga que la unidad sea reparada de forma inmediata por su distribuidor autorizado.
25. **ADVERTENCIA:** Dispositivo acumulador de energía. La inadecuada liberación de resortes puede resultar en graves lesiones corporales. Los resortes deben ser retirados por un técnico autorizado.
26. Modelos equipados con un radiador de motor: **ADVERTENCIA:** Dispositivo acumulador de energía. Para evitar las lesiones corporales provocadas por refrigerante caliente o escapes repentinos de vapor, nunca intente retirar la tapa con el motor en funcionamiento. Detenga el motor y espere hasta que se enfríe. Incluso así, tenga sumo cuidado al retirar la tapa.

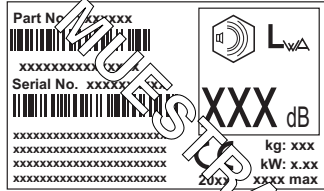
# Números de identificación



**Modelos de América del Norte/CE**



Etiqueta de ID del tractor



**Modelos de CE (sólo dichos modelos)**

**Cuando se comunique con su distribuidor autorizado para pedir piezas de repuesto, mantenimiento o información, DEBE tener estos números a su disposición.**

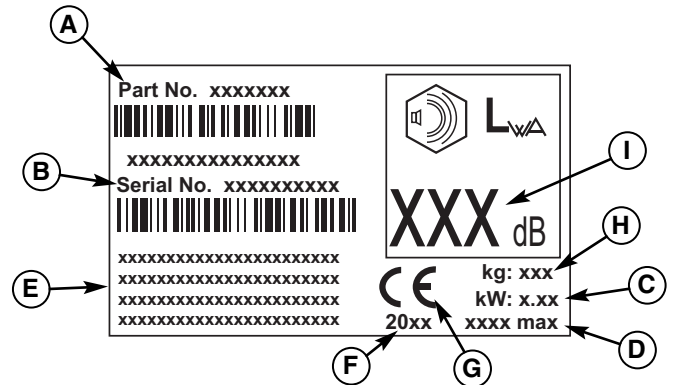
Registre su nombre/número de modelo, los números de identificación del fabricante y los números de serie del motor en el espacio proporcionado para tener un acceso fácil. Estos números pueden encontrarse en las ubicaciones que se muestran.

*NOTA: Para conocer la ubicación de los números de identificación, consulte el Manual del propietario del motor.*

DATOS DE REFERENCIA DEL PRODUCTO	
Nombre/número de descripción del modelo	
Número de MFG de la unidad	Número de SERIE de la unidad:
Número de MFG de la plataforma del cortacésped	Número de SERIE de la plataforma del cortacésped
Nombre del distribuidor	Fecha de compra
DATOS DE REFERENCIA DEL MOTOR	
Marca del motor	Modelo del motor
Tipo/Especificaciones del motor	Código/Número de serie del motor

## MARCAS DE ETIQUETAS DE IDENTIFICACIÓN DE CE

- A. Número de identificación del fabricante
- B. Número de serie del fabricante
- C. Clasificación de potencia en kilovatios
- D. Velocidad máxima del motor en revoluciones por minuto
- E. Nombre y dirección del fabricante
- F. Año de fabricación
- G. Logotipo de conformidad de CE
- H. Masa de la unidad en kilogramos
- I. Potencia del sonido garantizada en decibeles



# Calcomanías de seguridad

## CALCOMANÍAS DE SEGURIDAD

Esta unidad ha sido diseñada y fabricada para proporcionarle la seguridad y fiabilidad que espera de un líder en la fabricación de equipos motorizados exteriores.

Aunque el hecho de leer este manual y las instrucciones de seguridad que contiene le proporcionará el conocimiento básico necesario para manejar este equipo con seguridad y eficacia, se han colocado diversas etiquetas de seguridad en la unidad para recordarle esta importante información mientras opera la unidad.

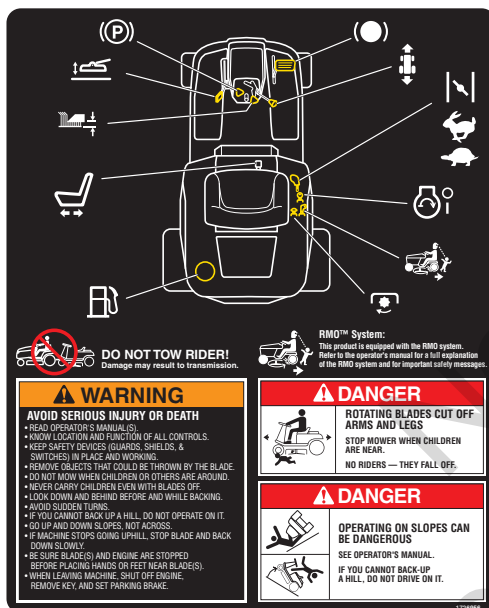
Debe leer y respetar todos los mensajes con instrucciones y todas las señales de PELIGRO, ADVERTENCIA y

PRECAUCIÓN incluidos en el tractor y el cortacésped. Si no se siguen tales instrucciones pueden provocarse lesiones corporales. La información es por su seguridad y es importante. En su tractor y cortacésped se encuentran las siguientes calcomanías de seguridad.

Si alguna de estas calcomanías transparentes se pierde o daña, reemplácela de inmediato. Consulte a su distribuidor local para conseguir repuestos.

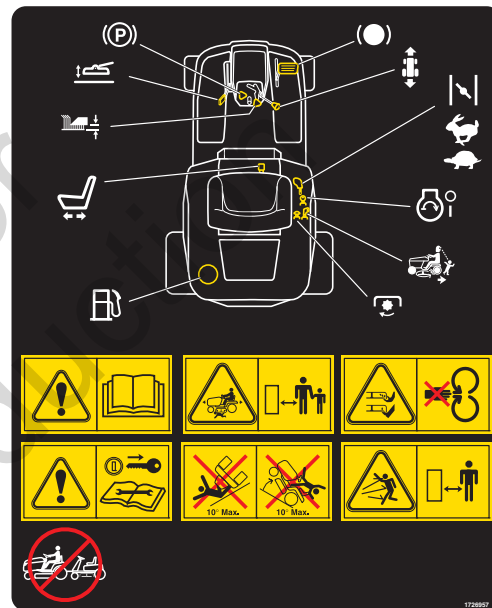
Estas etiquetas se colocan con facilidad y actuarán como un recordatorio visual constante para usted y los terceros que puedan utilizar el equipo, para que sigan las instrucciones de seguridad importantes a fin de conseguir un funcionamiento seguro y eficaz.

## MODELOS DE AMÉRICA DEL NORTE



Calcomanía: Instrucciones de operación, modelos de América del Norte, N° de pieza 1726956

## MODELOS DE CE



Calcomanía: Instrucciones de operación, modelos de CE, N° de pieza 1726957



Calcomanía: Peligro, modelos con descarga lateral  
N° de pieza 1704276

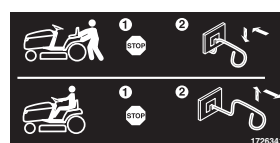


Calcomanía: Peligro, modelos con descarga lateral  
N° de pieza 1704277



Calcomanía: Peligro, cuchillas giratorias  
N° de pieza 1720389

## TODOS LOS MODELOS



Calcomanía: Liberación de transmisión  
N° de pieza 1726341



Calcomanía: Posiciones del interruptor de encendido  
N° de pieza 1722806

## ICONOS DE SEGURIDAD

**Advertencia: Lea el Manual del operador.**

Lea y comprenda el Manual del operador antes de usar esta máquina.



**Peligro: Volcamiento de la máquina.**

No use esta máquina en pendientes mayores que 10°.



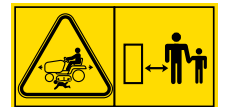
**Peligro: Objetos lanzados.**

Este equipo puede lanzar objetos y desechos. No permita que haya personas cerca.



**Peligro: Desmembramiento.**

Esta máquina puede amputar miembros. No permita que personas ni niños estén cerca cuando el motor esté en funcionamiento.



**Advertencia: Retire la llave antes de realizar el mantenimiento.**

Retire la llave y consulte textos técnicos antes de realizar reparaciones o mantenimiento.



**Peligro: Desmembramiento.**

Esta plataforma del cortacésped puede amputar miembros. Mantenga las manos y los pies alejados de las cuchillas.



Not for  
Reproduction

# Características y controles

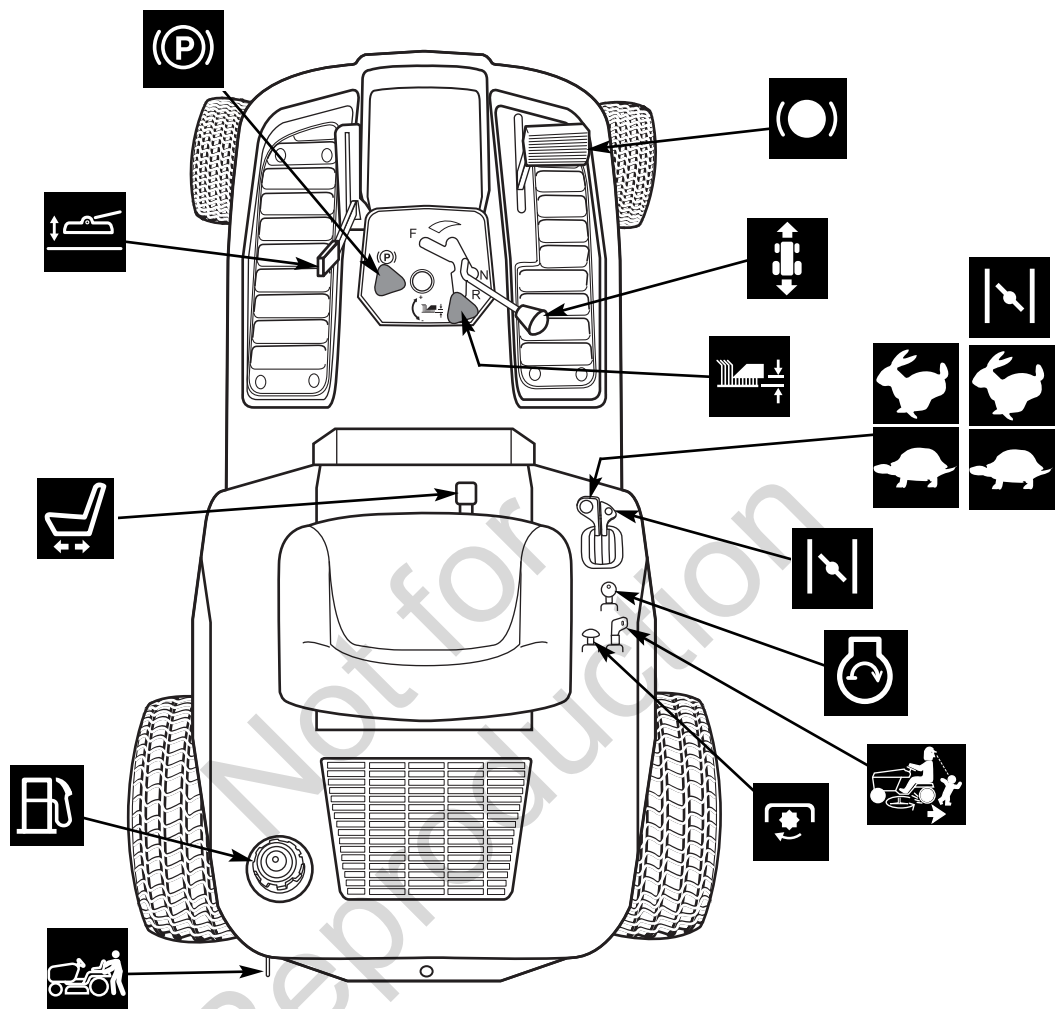


Figura 1. Controles

## FUNCIONES DE LOS CONTROLES

La siguiente información le describe brevemente la función de los mandos individuales. El arranque, la detención, la conducción y el corte del césped requieren el uso combinado de varios controles aplicados en secuencias específicas. Para obtener información sobre qué combinación y secuencia de controles debe usar para las distintas tareas, consulte la sección MANEJO DEL TRACTOR.



### Control de la mariposa/del estrangulador

(Modelos de una sola palanca)

La palanca de la mariposa/del estrangulador controla la velocidad y el estrangulamiento del motor. Mueva la mariposa hacia delante para aumentar la velocidad del motor y hacia atrás para disminuirla. Siempre opere a TODA MARCHA. Mueva el control completamente hacia delante (más allá del seguro) para cerrar el estrangulador. Cierre el estrangulador para los arranques en frío. Abra el estrangulador una vez que arranque el motor. Es posible que un motor caliente no necesite estrangulamiento.



### Control de la mariposa

(Modelos de dos palancas)

La mariposa controla la velocidad del motor. Mueva la mariposa hacia delante para aumentar la velocidad del motor y hacia atrás para disminuirla. Siempre opere a TODA MARCHA.



### Estrangulador

(Modelos de dos palancas)

Cierre el estrangulador para los arranques en frío. Abra el estrangulador una vez que arranque el motor. Es posible que un motor caliente no necesite estrangulamiento. Mueva la palanca hacia delante para cerrar el estrangulador.





## Depósito de combustible

Para retirar la tapa, gírela en el sentido contrario al de las agujas del reloj.



## Interruptor de toma de fuerza

El interruptor de toma de fuerza engancha y desengancha los accesorios que usan la toma de fuerza. Para accionar la toma de fuerza, presione HACIA ARRIBA en el interruptor. Presione HACIA ABAJO para desenganchar. *Tome en cuenta que el operador debe encontrarse sentado firmemente en el asiento del tractor para que la toma de fuerza funcione.*



## Palanca de la válvula de liberación de la transmisión

La palanca de la válvula de liberación de la transmisión desactiva la transmisión de manera que el tractor pueda empujarse manualmente. Consulte la sección “Empuje manual del tractor” para obtener información de funcionamiento.



## Interruptor de encendido

El interruptor de encendido arranca y detiene el motor, y cuenta con tres posiciones:



APAGADO

Detiene el motor y apaga el sistema eléctrico.



ENCENDIDO

Permite que el motor funcione y alimenta el sistema eléctrico.



ARRANQUE

Enciende el motor para el arranque.

*NOTA: Nunca deje el interruptor de encendido en la posición de arranque con el motor detenido, ya que esto agota la batería.*



## Pedal del freno

Al presionar el pedal del freno, se activa el freno del tractor.



## Palanca de velocidad de avance

La palanca de control de la velocidad de avance hacia delante controla la velocidad de avance hacia delante del tractor. El pedal de control de la velocidad de avance marcha atrás controla la velocidad de avance hacia atrás del tractor.

Al mover la palanca hacia delante aumentará la velocidad de avance. Tenga presente que mientras más se mueva la palanca hacia delante, más rápido viajará el tractor.



## Freno de estacionamiento

La perilla del freno de estacionamiento se usa para bloquear el freno de estacionamiento cuando se detiene el tractor. Al presionar por completo el pedal del freno y al tirar hacia arriba la perilla, se acciona el freno de estacionamiento.



## Ajuste de la altura de corte del cortacésped

La perilla de ajuste de la altura de corte controla la altura de corte del cortacésped. La altura de corte es infinitamente ajustable entre 2,5 y 9,5 mm (1 pulg. y 3-3/4 pulg.).



## Palanca de ajuste del asiento

El asiento se puede ajustar hacia delante y hacia atrás. Mueva la palanca, coloque el asiento en la posición que desee y suelte la palanca para fijar el asiento en dicha posición.



## Palanca elevadora de enganche

Al usar la plataforma del cortacésped, levántela del suelo mientras la lleva o la saca del lugar de trabajo. **NO** utilice el cortacésped en posición de transporte elevada.



## Opción de corte en marcha atrás (RMO)

La opción de corte de césped marcha atrás (RMO, por sus siglas en inglés) le permite cortar césped, o usar otros accesorios de accionamiento de toma de fuerza, mientras se mueve marcha atrás. Si elige cortar el césped u operar otro accesorio marcha atrás, gire la llave de opción de corte de césped marcha atrás después de accionar la toma de fuerza. La luz del LED se encenderá y el operador podrá cortar el césped marcha atrás. Si se desea la opción de cortar el césped marcha atrás, debe reactivarse cada vez que se accione la toma de fuerza.

# Manejo del tractor



## SISTEMA DE BLOQUEO DE SEGURIDAD

Esta unidad cuenta con interruptores de bloqueo y otros dispositivos de seguridad. Estos sistemas de seguridad están presentes para su seguridad; no intente hacer derivaciones con los interruptores de seguridad y nunca altere los dispositivos de seguridad. Verifique su funcionamiento en forma regular.

### Verificaciones de SEGURIDAD operativa

Su unidad cuenta con un sistema de seguridad del interruptor del asiento. Verifique el funcionamiento del interruptor del asiento todos los otoños y primaveras mediante las siguientes pruebas:

#### Prueba 1 — El motor NO arranca si existe alguna de las siguientes condiciones:

- la palanca de transmisión NO ESTÁ en neutro, O
- el interruptor de toma de fuerza está enganchado (ENCENDIDO), O
- el pedal del embrague/freno no está completamente presionado.

#### Prueba 2 — El motor DEBE arrancar si TODAS las siguientes condiciones se cumplen:

- la palanca de transmisión ESTÁ en neutro, Y
- el interruptor de toma de fuerza NO está enganchado, Y
- el pedal del embrague/freno ESTÁ completamente presionado.

#### Prueba 3 — El motor se debe APAGAR si existe alguna de las siguientes condiciones:

- el operador se levanta del asiento SIN presionar por completo el pedal del embrague/freno (freno de estacionamiento SUELTO), O
- el operador se levanta del asiento con la toma de fuerza activada.

*NOTA: Si el operador vuelve a sentarse antes de que el motor se detenga, éste se reiniciará y el embrague eléctrico de toma de fuerza se volverá a enganchar.*

*NOTA: Una vez detenido el motor, se debe apagar el interruptor de toma de fuerza luego de que el operador vuelva a sentarse para arrancar el motor.*

#### Prueba 4 — Comprobación del freno de la cuchilla.

Las cuchillas y la correa de transmisión del cortacésped deben detenerse completamente dentro de cinco segundos luego de apagar el interruptor de toma de fuerza eléctrico. Si la correa de transmisión del cortacésped no se detiene dentro de cinco segundos, consulte con su distribuidor.

#### Prueba 5 — Verificación de la opción de corte de césped marcha atrás (RMO)

- El motor debe apagarse cuando se intente dar marcha atrás si se ha activado la toma de fuerza y no se ha activado la marcha atrás.
- La luz de corte de césped marcha atrás debe encenderse cuando se haya activado esta función.



## ADVERTENCIA

**Si la unidad no pasa una prueba de seguridad, no la opere. Consulte a su distribuidor autorizado. Bajo ninguna circunstancia se debe intentar pasar por alto el sistema de bloqueo de seguridad.**

## SEGURIDAD OPERATIVA GENERAL

Asegúrese de leer toda la información en la sección NORMAS DE SEGURIDAD E INFORMACIÓN antes de intentar operar la unidad. Familiarícese con todos los controles y con la forma de detener la unidad.

## CARGA DE COMBUSTIBLE

Para cargar combustible:

1. Retire la tapa para el combustible (A, Figura 4).
2. Llene el depósito. No llene en exceso. Deje espacio en el depósito para la expansión del combustible. Consulte el manual de su motor para obtener las recomendaciones de combustibles específicos.
3. Instale la tapa para el combustible y apriétela con la mano.

## COMPROBACIONES PREVIAS A LA PUESTA EN MARCHA

- Verifique que el cárter esté lleno hasta la marca de llenado en la varilla medidora. Consulte el manual del motor para obtener instrucciones y recomendaciones sobre el aceite.
- Asegúrese de que todas las tuercas, pernos, tornillos y pasadores estén en su lugar y apretados.
- Ajuste la posición del asiento y asegúrese de que pueda alcanzar todos los controles desde la posición del operador.
- Llene el depósito de gasolina con combustible nuevo. Consulte el manual del motor para conocer las recomendaciones de combustible.
- Asegúrese de que estén instalados los contrapesos y las ruedas correspondientes, si fuese necesario, y tenga sumo cuidado si va a hacer funcionar la unidad en un terreno inclinado.

## FUNCIONAMIENTO DEL PEDAL DEL FRENO

1. Consulte la Figura 2. Al presionar el pedal de la posición A a la B se desengancha la transmisión y también devuelve la palanca de control de transmisión a neutro (desde velocidades de avance). Al presionar completamente el pedal a la posición B se acciona el freno del tractor.
2. Consulte la Figura 2. El freno de estacionamiento se aplica en la posición B del pedal cuando se tira la perilla de control del freno de estacionamiento (C) con el pedal presionado completamente.

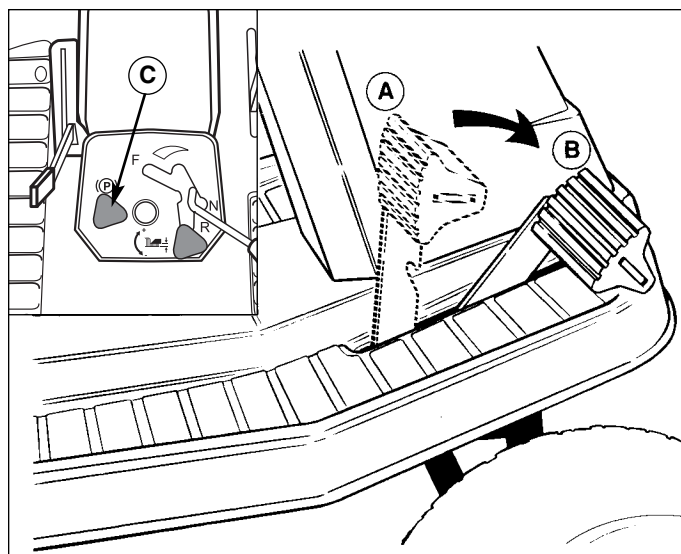
## ARRANQUE DEL MOTOR

1. Siéntese en el asiento del tractor en la posición de funcionamiento. Accione el freno de estacionamiento con el pedal del freno (D, Figura 3) y la perilla del freno de estacionamiento (B).
2. Suelte el embrague de la toma de fuerza.
3. Ajuste la mariposa A TODA MARCHA.
4. Cierre el estrangulador.

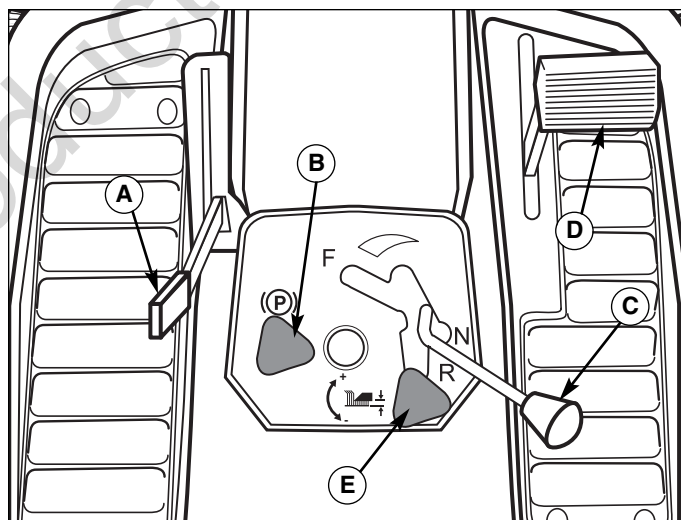
*NOTA: Es posible que un motor caliente no necesite estrangulamiento.*

5. Inserte la llave de encendido y gírela hasta la posición de ARRANQUE.
6. Luego de que arranque el motor, mueva el control de la mariposa del motor a la posición LENTA. Caliente el motor haciéndolo funcionar durante al menos un minuto.
7. Ajuste la mariposa a TODA MARCHA.

*NOTA: En caso de una emergencia, el motor se puede detener con sólo girar el interruptor de encendido hasta la posición de DETENCIÓN. Emplee este método sólo en situaciones de emergencia. Para una detención normal del motor, siga el procedimiento detallado en "Detención del tractor".*



**Figura 2. Pedal del freno**  
**A. Pedal del freno (Desenganchado)**  
**B. Pedal del freno (Enganchado)**  
**C. Perilla del freno de estacionamiento**



**Figura 3. Controles**  
**A. Palanca elevadora del cortacésped**  
**B. Perilla del freno de estacionamiento**  
**C. Palanca de control de la velocidad de avance**  
**D. Pedal del embrague/freno**  
**E. Control Dial-A-Cut™**

## ⚠️ ADVERTENCIA

Asegúrese de que no hayan objetos, personas ni animales en el área de funcionamiento y particularmente en la dirección del viaje.



**¡Siempre mire HACIA ABAJO Y ATRÁS antes de retroceder!**

## SELECCIÓN DE VELOCIDAD DE AVANCE Y VELOCIDAD DEL MOTOR

La velocidad de avance se selecciona al soltar el pedal del embrague/freno (D, Figura 4) y al mover la palanca de control (C, Figura 4) a la selección de velocidad correspondiente. Si el terreno es irregular, accidentado o empinado, use primera o segunda marcha. Si el césped está mojado o tiene más de 76 mm (3 pulg.) de alto, use toda la velocidad del motor (con velocidad de avance lenta), de modo que el cortacésped tenga suficiente potencia como para cortar el césped.

1. Si está listo para cortar césped, baje el cortacésped desde la posición de transporte con la palanca (A, Figura 4) y establezca la altura de corte de césped con el control Dial-A-Cut™ (E, Figura 4).
2. Ajuste la mariposa del motor a toda velocidad.
3. Use el interruptor de toma de fuerza para enganchar la toma de fuerza.
4. Suelte el freno de estacionamiento al presionar el pedal del embrague/freno y al presionar la perilla (B, Figura 4) hacia abajo.
5. Mueva la palanca de control de la velocidad de avance (C, Figura 4) hacia la dirección y velocidad de viaje que desee para mover el tractor.
6. Ajuste la mariposa del motor a la velocidad que desee. Se recomienda usar toda la marcha para cortar césped.

### ⚠️ ADVERTENCIA

Asegúrese de que no hayan objetos, personas ni animales en el área de funcionamiento y particularmente en la dirección del viaje.

¡Siempre mire HACIA ABAJO Y ATRÁS antes de retroceder!



### DETENCIÓN DEL TRACTOR

1. Mueva la palanca de control de la velocidad de avance (C, Figura 4) a la posición NEUTRA para detenerse de manera gradual. Para detenerse más rápido, presione el pedal del embrague/freno (D, Figura 4).  
*NOTA: La palanca de control de la velocidad de avance volverá a neutro automáticamente cuando se presione el pedal del embrague/freno.*
2. Enganche el freno de estacionamiento al presionar completamente el pedal del freno y al tirar hacia arriba la perilla del freno de estacionamiento (B, Figura 4).
3. Use el interruptor de toma de fuerza (G, Figura 1) para desenganchar la toma de fuerza.
4. Ajuste la mariposa del motor (M, Figura 1) a media marcha para dejar el motor en marcha lenta por 20 segundos. Si detiene un motor caliente demasiado rápido puede provocar que se dañe.
5. Gire la llave (C, Figura 1) a la posición de APAGADO y retírela.

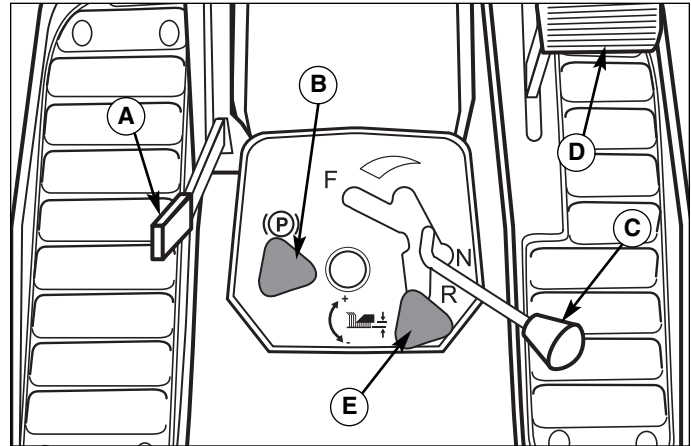


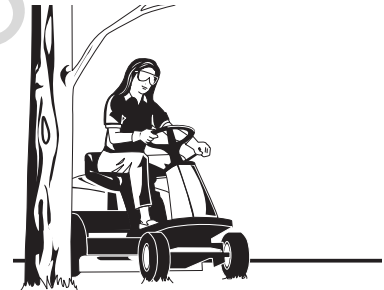
Figura 4. Controles

- A. Palanca elevadora del cortacésped
- B. Perilla del freno de estacionamiento
- C. Palanca de control de la velocidad de avance
- D. Pedal del embrague/freno
- E. Control Dial-A-Cut™

### ⚠️ ADVERTENCIA

Asegúrese de que no hayan objetos, personas ni animales en la dirección del viaje.

¡Siempre mire HACIA ABAJO Y ATRÁS antes de retroceder!



### MANEJO DEL CORTACÉSPED

1. Cuando viaje hacia o desde el lugar de trabajo, levante completamente el cortacésped con la palanca elevadora del cortacésped (A, Figura 4). En el lugar de trabajo, baje el cortacésped con la palanca elevadora del cortacésped.
2. Utilice el control Dial-A-Cut™ (E, Figura 4) para ajustar la altura del cortacésped. Tire hacia atrás levemente la palanca elevadora del cortacésped (A, Figura 4) para aliviar la presión y gire en el sentido de las agujas del reloj para elevar la altura de corte del cortacésped o en el sentido contrario al de las agujas del reloj para bajar la altura de corte.
3. Enganche el freno de estacionamiento. Asegúrese de que el interruptor de toma de fuerza no esté activado.
4. Arranque el motor (consulte "Arranque del motor").
5. Baje por completo el cortacésped con la palanca elevadora de enganche.
6. Ajuste la mariposa A TODA MARCHA.
7. Accione la toma de fuerza (plataforma del cortacésped).
8. Comience a cortar el césped.
9. Cuando termine, apague la toma de fuerza y suba el cortacésped mediante la palanca de control elevadora de enganche.
10. Detenga el motor (consulte "Detención del tractor").

*NOTA: La escala de altura de corte se ubica en el cuadrante de la base de la palanca elevadora. La escala va del 1 al 4, siendo el 4 la mayor altura de corte.*

## **⚠️ ADVERTENCIA**

El motor se apagará si presiona el pedal de la velocidad de avance marcha atrás mientras la toma de fuerza está activada y el corte de césped marcha atrás no se ha activado. El operador siempre debe apagar la toma de fuerza antes de cruzar calles, caminos o cualquier zona por donde puedan transitar otros vehículos. Si pierde el control de la conducción repentinamente puede generar un peligro.

## **⚠️ ADVERTENCIA**

El corte de césped marcha atrás puede ser peligroso para los transeúntes. Pueden ocurrir accidentes graves si el operador no está atento ante la presencia de niños. Nunca active el corte de césped marcha atrás en presencia de niños. Los niños suelen sentirse atraídos por la unidad y por la actividad de cortar el césped.

## **CORTE DE CÉSPED MARCHA ATRÁS**

Se puede usar el sistema de corte de césped marcha atrás si un operador decide hacerlo. Para usar la opción de corte de césped marcha atrás, gire la llave de corte de césped marcha atrás luego de haber enganchado la toma de fuerza. La luz del LED se encenderá y el operador podrá cortar el césped marcha atrás. Si se desea la opción de cortar el césped marcha atrás, debe reactivarse cada vez que se accione la toma de fuerza. Se debe retirar la llave para restringir el acceso a la función RMO.

## **OPERACIÓN DE ACCESORIOS MARCHA ATRÁS**

Se puede usar un accesorio de toma de fuerza en marcha atrás si un operador decide hacerlo. Para usar la opción de corte de césped marcha atrás, gire la llave de corte de césped marcha atrás luego de haber enganchado la toma de fuerza. La luz del LED se encenderá y el operador podrá cortar con el accesorio marcha atrás. Si se desea la opción de cortar el césped marcha atrás, debe reactivarse cada vez que se accione la toma de fuerza. Se debe retirar la llave para restringir el acceso a la función RMO.

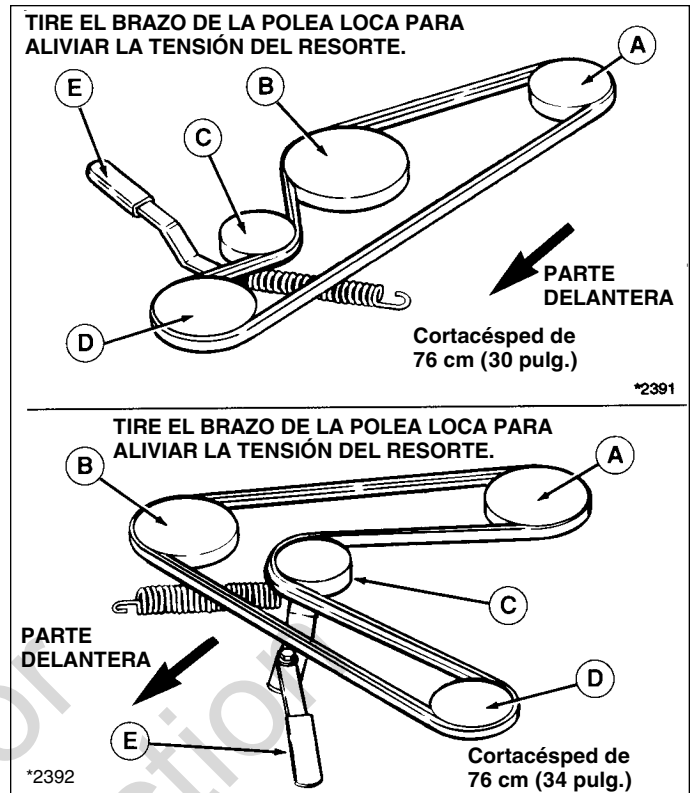
## **EMPUJE MANUAL DEL TRACTOR**

1. Desenganche la toma de fuerza y apague el motor.
2. Presione la palanca de liberación de la transmisión (A, Figura 6) y presione hacia abajo para bloquear en la posición liberada.
3. Ahora se puede empujar el tractor manualmente.



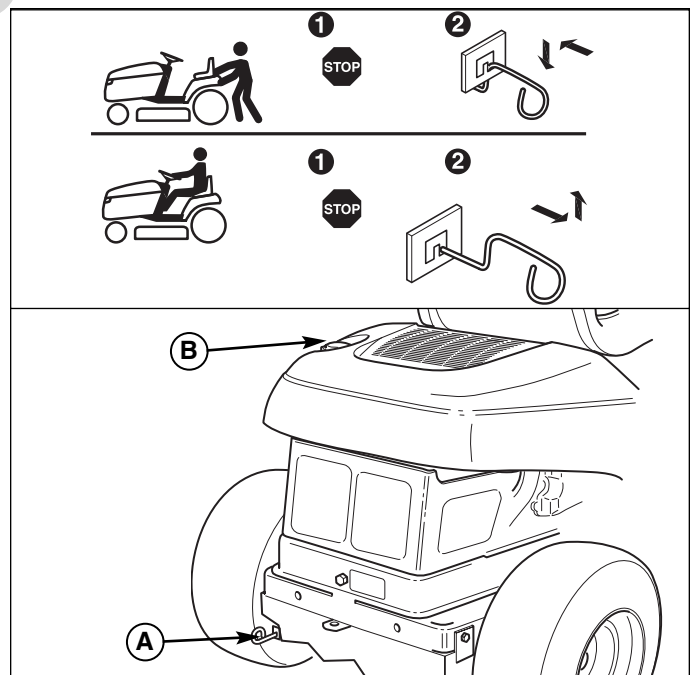
### **NO REMOLQUE EL TRACTOR**

El remolque de la unidad provocará daños en la transmisión. • No utilice ningún tipo de vehículo para empujar o tirar de la unidad. • No accione la palanca de la válvula de liberación de la transmisión con el motor en funcionamiento.



**Figura 5. Patrón de la correa del cortacésped**

- A. Polea de toma de fuerza
- B. Polea de husillo de 76 cm (30 pulg.)
- C. Polea de husillo izquierda de 86 cm (34 pulg.)
- D. Polea loca
- E. Polea loca delantera de 76 cm (30 pulg.)
- F. Polea de husillo derecha de 86 cm (34 pulg.)
- G. Brazo de la polea loca



**Figura 6. Palanca de liberación de la transmisión**

- A. Palanca de liberación de la transmisión
- B. Tapa del depósito de combustible

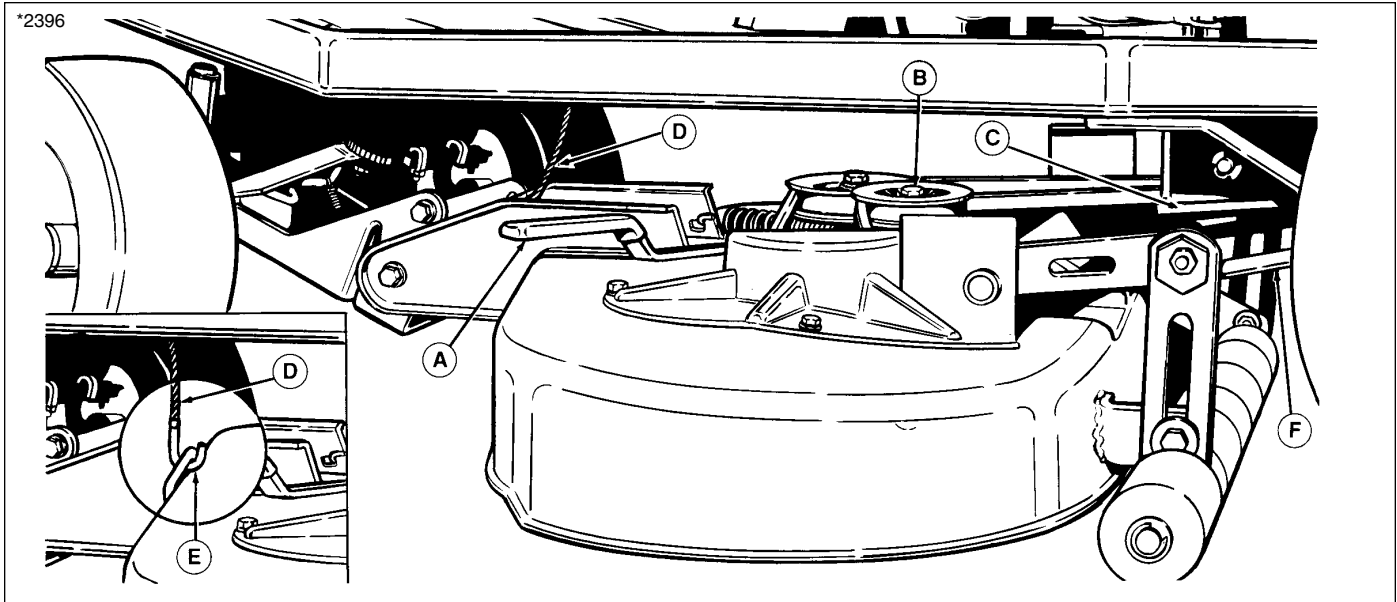


Figura 7. Retiro/Instalación del cortacésped (se muestra el cortacésped de 86 cm [34 pulg.]

- |   |                               |
|---|-------------------------------|
| A. Brazo de la polea loca                       | D. Cable elevador             |
| B. Polea loca                                   | E. Gancho elevador            |
| C. Polea de toma de fuerza (embrague eléctrico) | F. Brazos de arrastre trasero |

## **⚠ ADVERTENCIA**

Detenga el motor y retire la llave. No enganche la toma de fuerza hasta que se retire o instale completamente el cortacésped y el operador esté sentado.

## RETIRO E INSTALACIÓN DEL CORTACÉSPED

**NOTA:** Realice el retiro y la instalación sobre una superficie dura y nivelada como un suelo de hormigón. Para un retiro y una instalación fácil del cortacésped, puede retirar los brazos de arrastre trasero (F, Figura 7) al retirar los sujetadores de resorte y pasadores de horquilla.

1. Estacione el tractor y apague el interruptor de toma de fuerza y el motor, retire la llave y accione el freno de estacionamiento. Gire las ruedas completamente hacia la izquierda.
2. En el lado izquierdo del cortacésped de 86 cm (34 pulg.), empuje el brazo de la polea loca (A, Figura 7) para aliviar la tensión de la correa.  
En el lado derecho del cortacésped de 76 cm (30 pulg.), tire el brazo de la polea loca para aliviar la tensión de la correa.
3. Al aliviar la tensión de la correa, retírela de la polea loca (B, Figura 7) y la polea de toma de fuerza (C). Al retirar la correa se alivia la tensión en la parte delantera del conjunto de enganche.
4. Con la palanca elevadora hacia abajo y el control Dial-A-Cut™ establecido en el ajuste más bajo, retire el cable elevador (D, Figura 7) del gancho del cortacésped (consulte la ilustración en el recuadro, Figura 7).

**NOTA:** Tire hacia atrás levemente la palanca elevadora para permitir que el control Dial-A-Cut™ gire más fácil.

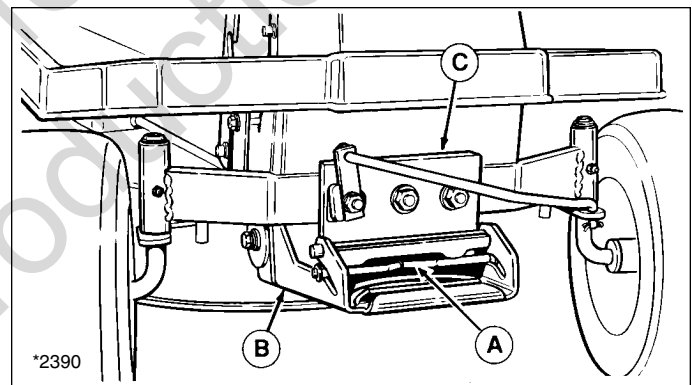


Figura 8. Enganche del cortacésped

- |                                     |
|-------------------------------------|
| A. Palanca                          |
| B. Enganche del cortacésped         |
| C. Soportes de enganche del tractor |

5. Retire el enganche del cortacésped (B, Figura 8) de los soportes del enganche del tractor (C) al tirar la palanca accionada por resorte (A) hacia delante y al levantar el enganche. Coloque el enganche del cortacésped en el suelo.
6. Con las ruedas completamente a la izquierda, retire el cortacésped de la parte derecha del tractor.
7. Para instalar el cortacésped, invierta los pasos anteriores. Revise el patrón de la correa del cortacésped (como se muestra en la Figura 5). Asegúrese de que el cable elevador del cortacésped esté instalado con el gancho hacia la parte trasera (consulte el recuadro de la Figura 7) y que los brazos de arrastre trasero (F, Figura 7) estén colocados sobre la barra de torsión trasera.

## ALMACENAMIENTO

### ADVERTENCIA

**Nunca almacene la unidad (con combustible) dentro de una estructura cerrada y con mala ventilación. Los vapores del combustible pueden llegar hasta una fuente de ignición (como un horno, un calentador de agua, etc.) y provocar una explosión.**

**El vapor de combustible es también tóxico para los humanos y animales.**

Antes de guardar la unidad para el período fuera de temporada, lea las instrucciones de "Mantenimiento y Almacenaje" en la sección NORMAS DE SEGURIDAD E INFORMACIÓN, y después realice los siguientes pasos:

- Desenganche la toma de fuerza, accione el freno de estacionamiento y retire la llave.
- Tome las medidas para el mantenimiento y almacenamiento del motor que se mencionan en el manual del motor. Esto incluye el drenaje del sistema de combustible o la adición de estabilizador al combustible (no almacene una unidad con combustible en una estructura cerrada; consulte la ADVERTENCIA).

- La duración de la batería aumentará si se saca, se pone en un lugar frío y seco, y se carga totalmente alrededor de una vez al mes. Si la batería se deja instalada en la unidad, desconecte el cable negativo.

Antes de arrancar la unidad luego de que ha permanecido almacenada:

- Compruebe los niveles de líquido. Compruebe todos los puntos de mantenimiento.
- Lleve a cabo todas las verificaciones y procedimientos recomendados en el manual del motor.
- Caliente el motor durante varios minutos antes de usar la unidad.

Not for  
Reproduction

# Mantenimiento regular

## PROGRAMA Y PROCEDIMIENTOS DE MANTENIMIENTO

Se debe seguir el siguiente programa para el cuidado normal de su tractor y cortacésped.

PUNTOS RELACIONADOS CON LA SEGURIDAD	Antes de cada uso	Cada 5 horas	Cada 25 horas	Cada 100 horas	Cada 250 horas	Primavera y otoño
Verificación del sistema de bloqueo de seguridad						•
Verificación de los frenos del tractor						•
Verificación del tiempo de detención de las cuchillas del cortacésped				•		•
PUNTOS RELACIONADOS CON EL MANTENIMIENTO DEL TRACTOR	Antes de cada uso	Cada 5 horas	Cada 25 horas	Cada 100 horas	Cada 250 horas	Primavera y otoño
Verificación de piezas metálicas sueltas en el tractor/cortacésped		•				
Lubricación de los ejes traseros						Anual
Limpie la batería y los cables				•		
Verificación de la presión de los neumáticos			•			
Limpie la plataforma y revise/reemplace las cuchillas del cortacésped**				•		
Lubrique el tractor y el cortacésped				•***		
Mantenimiento de la transmisión****						
PUNTOS RELACIONADOS CON EL MANTENIMIENTO DEL MOTOR	Antes de cada uso	Cada 5 horas	Cada 25 horas	Cada 100 horas	Cada 250 horas	Primavera y otoño
Verificación del nivel de aceite del motor	•					
Verificación/cambio del filtro de aire del motor*						
Cambio del aceite y del filtro del motor*						
Inspección de las bujías*						
Verificación/Reemplazo del filtro de combustible*						

\* Consulte el manual del propietario del motor. Cambie el aceite original del motor luego del período de rodaje inicial.

\*\* Más a menudo en tiempo cálido (más de 30° C; 85° F) o condiciones de funcionamiento polvorientas.

\*\*\* Realice mantenimiento luego de las primeras 50 horas de funcionamiento, luego cada 250 horas de funcionamiento.

\*\*\*\* Realice mantenimiento luego de las primeras 25 horas de funcionamiento, luego cada 250 horas de funcionamiento.

\*\*\*\*\* Consulte con su distribuidor.

## VERIFICACIÓN DE LA PRESIÓN DE LOS NEUMÁTICOS

La presión de los neumáticos debe verificarse en forma periódica y mantenerse en los niveles que aparecen en la tabla. Tome en cuenta que dichas presiones pueden tener leves diferencias con respecto al "Max Inflation" (inflado máximo) que aparece en la cara lateral de los neumáticos. Las presiones que se muestran proporcionan la tracción adecuada, mejoran la calidad del corte y prolongan la vida útil del neumático.

Neumáticos	Presión
Delanteros	0,68 a 0,82 bar (10 a 12 psi)
Traseros	0,68 a 0,82 bar (10 a 12 psi)

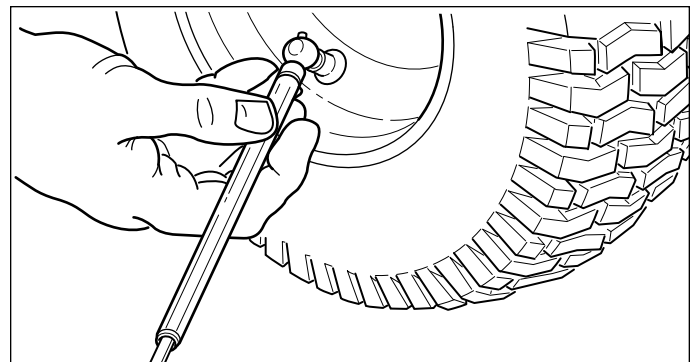


Figura 9. Verificación de la presión de los neumáticos



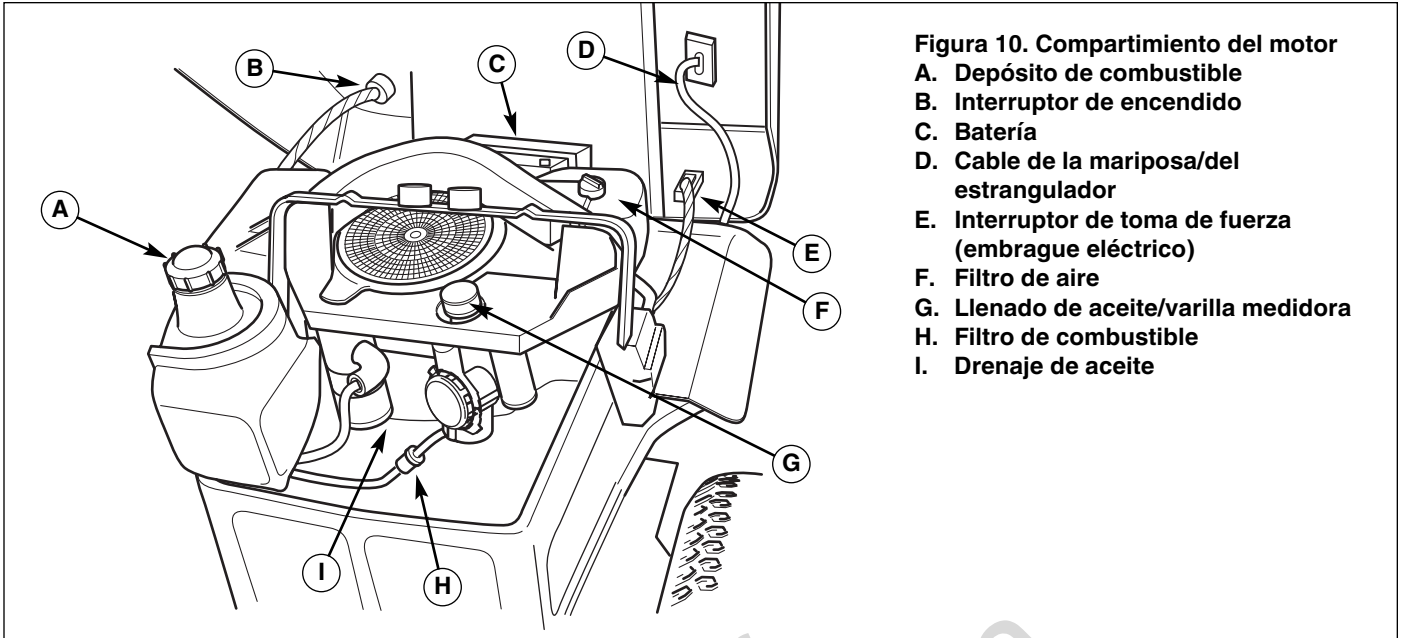


Figura 10. Compartimiento del motor  
 A. Depósito de combustible  
 B. Interruptor de encendido  
 C. Batería  
 D. Cable de la mariposa/del estrangulador  
 E. Interruptor de toma de fuerza (embrague eléctrico)  
 F. Filtro de aire  
 G. Llenado de aceite/varilla medidora  
 H. Filtro de combustible  
 I. Drenaje de aceite

## ELEVACIÓN DE LA PLATAFORMA DEL ASIENTO

Para tener acceso al compartimiento del motor, simplemente incline la plataforma del asiento hacia delante.

## CARGA DE COMBUSTIBLE

Para cargar combustible:

1. Retire la tapa para el combustible (A, Figura 10).
2. Llene el depósito. No llene en exceso. Deje espacio en el depósito para la expansión del combustible. Consulte el manual del motor para obtener las recomendaciones de combustibles específicos.
3. Instale la tapa para el combustible y apriétela con la mano.

## FILTRO DE COMBUSTIBLE

El filtro de combustible está ubicado en la tubería de combustible entre el depósito y el carburador. Si el filtro está sucio u obstruido, reemplácelo de la siguiente forma. Ponga un recipiente debajo del filtro para recoger la gasolina derramada.

1. Con un alicate, abra y deslice las abrazaderas de las mangueras del filtro de combustible.
2. Saque las mangueras del filtro.
3. Instale el filtro nuevo en la dirección de flujo correcta en la tubería de combustible. Asegure con las abrazaderas para mangueras. Consulte la advertencia al comienzo del procedimiento.

## CAMBIO DE ACEITE Y FILTRO

Consulte el manual del motor.

## VERIFICACIÓN/CAMBIO DEL FILTRO DE AIRE

Consulte el manual del motor.

## REEMPLAZO DE LA BUJÍA

Consulte el manual del motor.



No use gasolina que contenga METANOL, gasohol que contenga más de un 10% de etanol, aditivos para gasolina, gasolina de primera calidad ni gas blanco, ya que se podría dañar el sistema del motor/combustible.

## ⚠️ ADVERTENCIA

La gasolina es altamente inflamable y se debe manipular con cuidado. Nunca llene el depósito cuando el motor aún esté caliente por una operación reciente. No permita la presencia de llamas expuestas ni que se fume o enciendan fósforos en el área. Evite llenar en forma excesiva y limpie los derrames.

No saque el filtro de combustible cuando el motor esté caliente, debido a que la gasolina derramada puede encenderse. NO abra las abrazaderas de la manguera más de lo necesario. Asegúrese de que las abrazaderas sujeten firmemente las mangueras sobre el filtro después de la instalación.

# Mantenimiento regular

## LUBRICACIÓN

Lubrique el tractor y el cortacésped como se muestra en las Figuras 11 a 16. Cuando se muestra una pistola de engrase, limpie el accesorio, aplique dos o tres gotas de grasa automotriz a base de litio y limpie el exceso de grasa. Cuando aparezca una lata de aceite, limpie el área, aplique unas pocas gotas de aceite (SAE 30) y luego limpie las gotas o los derrames.

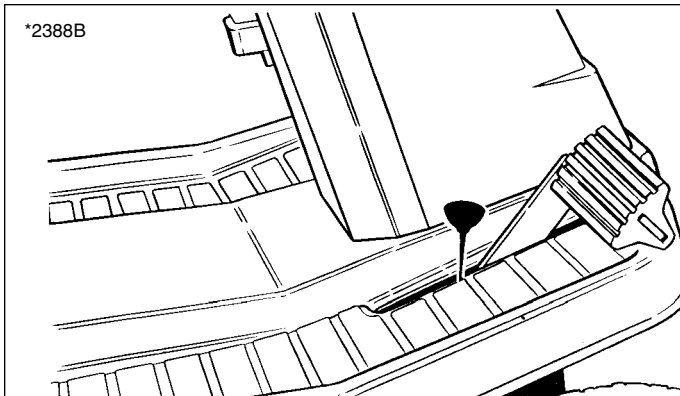


Figura 11. Punto giratorio del pedal del freno

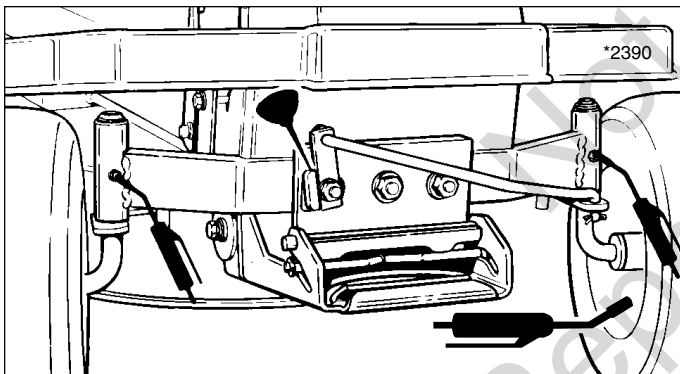


Figura 12. Puntos de lubricación del eje delantero

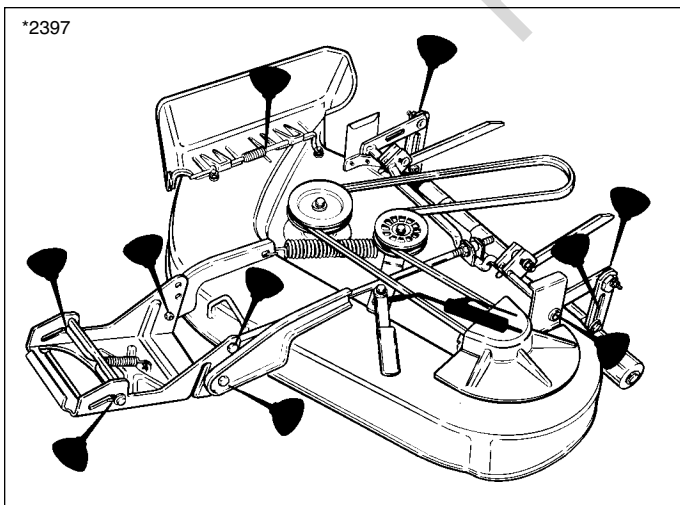


Figura 13. Puntos de lubricación de la plataforma del cortacésped

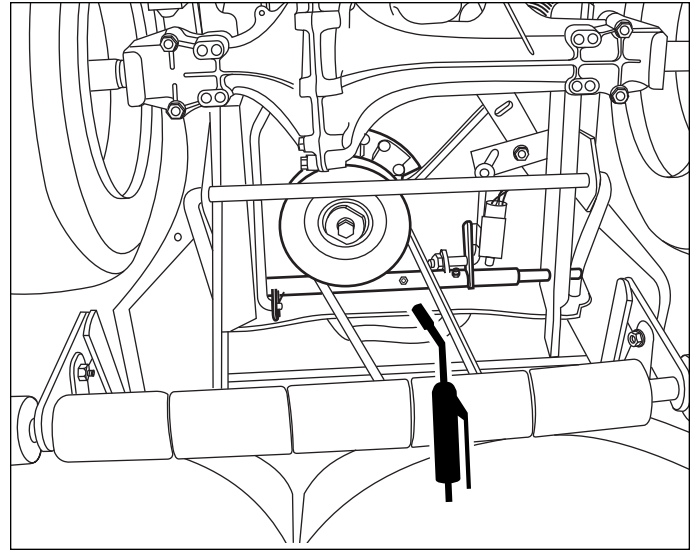


Figura 14. Puntos de lubricación del tractor - Mitad de la parte trasera (Se muestra el modelo de engranajes)

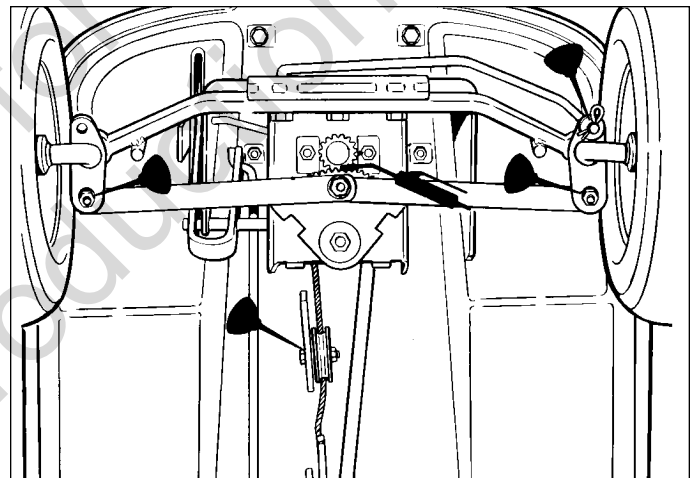


Figura 15. Puntos de lubricación del tractor - Mitad de la parte delantera

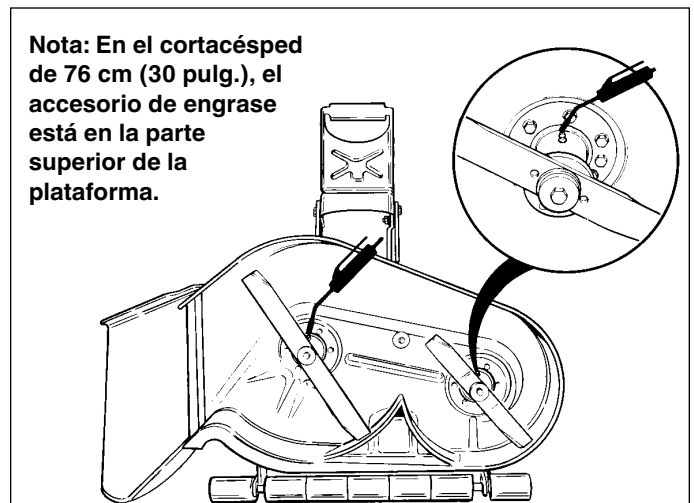


Figura 16. Puntos de lubricación del husillo

## MANTENIMIENTO DE LA BATERÍA

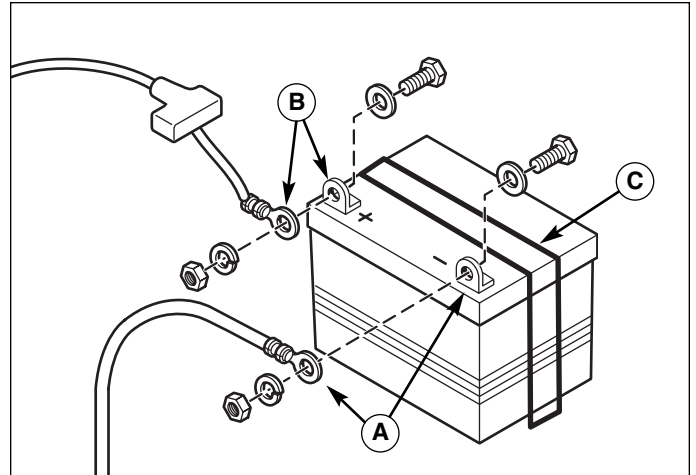
### ⚠️ ADVERTENCIA

Cuando retire o instale los cables de la batería, desconecte el cable negativo EN PRIMER LUGAR y reconéctelo EN ÚLTIMO LUGAR, ya que, si no lo hace en este orden, el terminal positivo puede hacer cortocircuito al tocar el chasis con una herramienta.

### Limpieza de la batería y de los cables

**Intervalo de la operación de mantenimiento: Cada 100 horas**

1. Desconecte los cables de la batería, primero el cable negativo (A, Figura 17).
2. Retire la sujeción de la batería (C) y ésta última.
3. Limpie el compartimiento de la batería con una solución de bicarbonato de sodio y agua.
4. Limpie los terminales y extremos de cables de la batería con un cepillo de alambre y con un limpiador especializado hasta que estén brillantes.
5. Vuelva a instalar la batería en el compartimiento de la batería, y fije la sujeción (C).
6. Vuelva a conectar los cables de la batería, el cable positivo primero (B).
7. Cubra los extremos del cable y los terminales de la batería con vaselina o con grasa aislante.



**Figura 17. Batería**

- A. Terminal de la batería y cable negativos**
- B. Terminal de la batería y cable positivos**
- C. Banda de sujeción**

## LUBRICACIÓN DE LOS EJES TRASEROS

**Intervalo de la operación de mantenimiento: Anual**

Recomendamos el retiro de los bujes de las ruedas traseras y la lubricación de los ejes traseros en forma anual, ya que esto impide que los bujes de las ruedas se agarroten en el eje trasero y facilita el mantenimiento posterior.

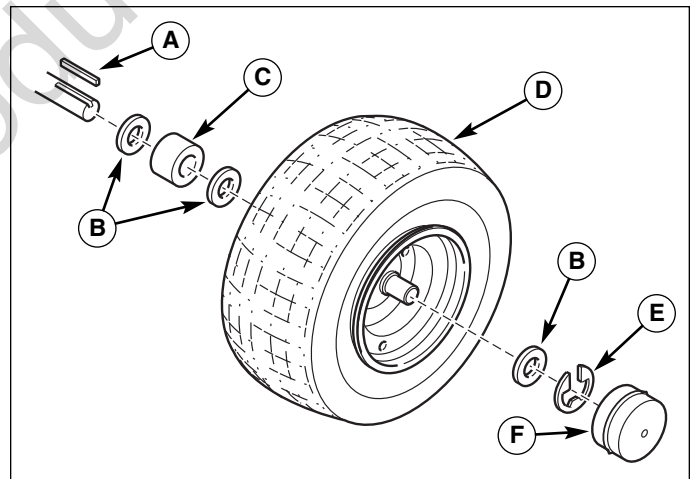
1. Apague el encendido y la toma de fuerza, accione el freno de estacionamiento y bloquee los neumáticos delanteros.
2. Mediante un gato o una grúa de cadena dispuesta en el centro del chasis trasero, levante cuidadosamente la unidad hasta que los neumáticos traseros se encuentren de 2,5 a 5 cm (1 pulg. a 2 pulg.) del suelo.

*NOTA: Para obtener la estabilidad general de la unidad durante el mantenimiento, no levante con el gato el extremo trasero más de lo necesario para el retiro de las ruedas.*

3. Apoye la parte trasera de la unidad en gatos de seguridad ubicados debajo del chasis trasero.

*NOTA: Su conjunto del eje puede diferir levemente del conjunto que se muestra: la cantidad de arandelas se ajusta por tractor durante el ensamblaje para permitir una pequeña cantidad de holgura longitudinal del eje.*

4. Retire las piezas metálicas que sostienen el conjunto de la rueda al eje y lubrique el eje usando un compuesto antiagarrotador o grasa a base de litio.
5. Vuelva a instalar los componentes en orden inverso del desmontaje y baje la unidad. Asegúrese de que la llave (A, Figura 18) esté en su lugar en el chavetero del eje.



**Figura 18. Piezas metálicas del eje trasero**

- A. Llave**
- B. Arandela**
- C. Espaciador**
- D. Rueda y buje**
- E. Anillo de retención**
- F. Tapa del eje**

## Mantenimiento regular

### MANTENIMIENTO DE LAS CUCHILLAS DEL CORTACÉSPED

#### **⚠ ADVERTENCIA**

Para su seguridad personal, no manipule las cuchillas afiladas del cortacésped sin protección en las manos. El manejo descuidado o inadecuado de las cuchillas puede provocar lesiones graves.

1. Retire el cortacésped del tractor.
2. Las cuchillas deben estar afiladas y sin muescas ni dientes. Si no lo están, afílelas como se describe en los pasos siguientes.
3. Para retirar la cuchilla para afilarla, utilice un bloque de madera para sostener la cuchilla mientras retira el tornillo de cabeza de montaje de ésta (Figura 19).
4. Use una lima para afilar la cuchilla hasta conseguir un buen filo. Elimine todas las muescas y dientes en el borde de la cuchilla. Si la cuchilla está muy dañada, se debe reemplazar.
5. Equilibre la cuchilla como se muestra en la Figura 20. Centre el orificio de la cuchilla en un clavo lubricado con una gota de aceite. Una cuchilla equilibrada permanecerá nivelada.
6. Vuelva a instalar cada cuchilla con las lengüetas orientadas hacia la plataforma, como se muestra en la Figura 21. Sujete con un tornillo de cabeza (D), una arandela cóncava (C) y una arandela hexagonal (B). Use un bloque de madera (A) para evitar la rotación de la cuchilla y apriete el tornillo de cabeza de 61 a 75 Nm (45 a 55 lb/pie).

#### **⚠ ADVERTENCIA**

Para su seguridad personal, los tornillos de cabeza de montaje de las cuchillas deben instalarse con una arandela hexagonal y una arandela de resorte, y luego apretarse con firmeza. Apriete los tornillos de cabeza de montaje de las cuchillas de 61 a 75 Nm (45 a 55 lb/pie).

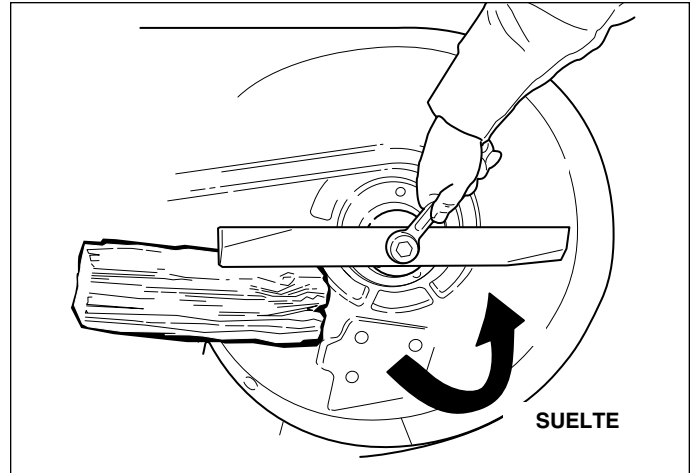


Figura 19. Retiro de la cuchilla

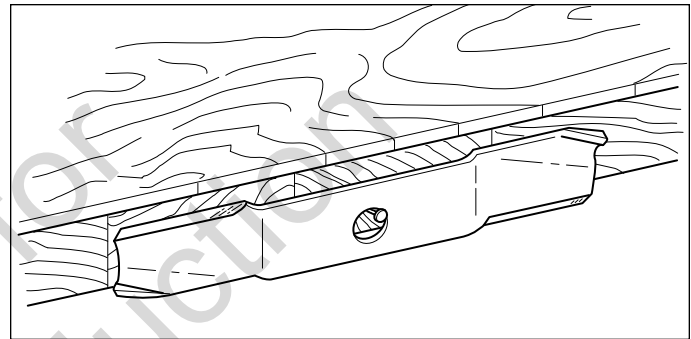


Figura 20. Equilibrado de la cuchilla

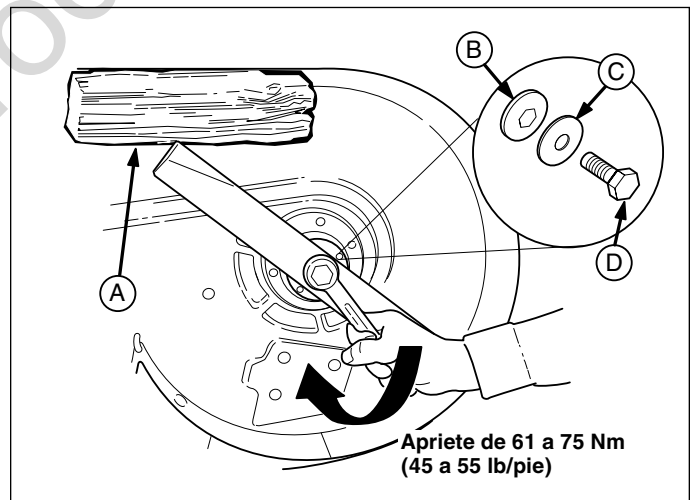


Figura 21. Instalación de la cuchilla

- |                       |                       |
|-----------------------|-----------------------|
| A. Bloque de madera   | C. Arandela cóncava   |
| B. Arandela hexagonal | D. Tornillo de cabeza |

# Localización de fallas

## Ajustes y reparaciones

### LOCALIZACIÓN DE FALLAS

Aunque el cuidado normal y el mantenimiento regular de su equipo prolongarán su vida útil, es posible que su uso constante y prolongado exijan finalmente que se realicen reparaciones que permitan una operación adecuada y continua.

La siguiente guía de localización de fallas describe una lista de los problemas más comunes, sus causas y sus soluciones.

Consulte la información de las siguientes páginas para conocer las instrucciones sobre la forma en que usted mismo puede realizar estos ajustes y reparaciones menores. Si lo prefiere, un distribuidor local autorizado puede llevar a cabo todos estos procedimientos por usted.

### ADVERTENCIA

Para evitar lesiones graves, realice el mantenimiento del tractor y el cortacésped sólo cuando el motor se encuentre detenido y el freno de estacionamiento accionado.

Siempre retire la llave de encendido, desconecte el cable de la bujía y aléjelo de la bujía antes de comenzar el mantenimiento a fin de evitar el arranque accidental del motor.

### LOCALIZACIÓN DE FALLAS DEL TRACTOR

PROBLEMA	CAUSA	SOLUCIÓN
El motor no funciona ni arranca.	<ol style="list-style-type: none"> <li>1. La palanca de control de la velocidad de avance no está en la posición de arranque en neutro.</li> <li>2. El interruptor de toma de fuerza (embrague eléctrico) se encuentra en la posición de encendido.</li> <li>3. Combustible agotado.</li> <li>4. Motor ahogado.</li> <li>5. Se activó el interruptor automático.</li> <li>6. Los terminales de la batería requieren limpieza.</li> <li>7. La batería está descargada o agotada.</li> <li>8. El cableado está suelto o roto.</li> <li>9. Solenoide o motor de arranque defectuosos.</li> <li>10. Interruptor de interbloqueo de seguridad defectuoso.</li> <li>11. Las bujías están defectuosas, dañadas o tienen una separación incorrecta.</li> <li>12. Hay agua en el combustible.</li> <li>13. La gasolina es antigua y está usada.</li> <li>14. El pedal del freno no está presionado.</li> </ol>	<ol style="list-style-type: none"> <li>1. Coloque la transmisión en neutro.</li> <li>2. Colóquelo en la posición de apagado.</li> <li>3. Si el motor está caliente, déjelo enfriar y vuelva a llenar el depósito de combustible.</li> <li>4. Abra el ESTRANGULADOR.</li> <li>5. Espere un minuto el reinicio automático. Reemplace si está defectuoso (consulte con su distribuidor).</li> <li>6. Consulte la sección "Mantenimiento regular".</li> <li>7. Vuelva a cargarla o reemplácela.</li> <li>8. Compruebe visualmente el cableado y sustituya los cables rotos o deshilachados. Apriete las conexiones sueltas.</li> <li>9. Repárelos o reemplácelos. (Consulte con su distribuidor).</li> <li>10. Reemplácelo si fuese necesario. (Consulte con su distribuidor).</li> <li>11. Límpielas y sepárelas, o reemplácelas. Consulte el manual del motor.</li> <li>12. Drene el combustible y vuelva a llenar con combustible fresco.</li> <li>13. Drene el combustible y reemplácelo por combustible fresco.</li> <li>14. Presione el pedal.</li> </ol>
El motor arranca con dificultad o funciona en forma deficiente.	<ol style="list-style-type: none"> <li>1. La mezcla de combustible es demasiado rica.</li> <li>2. El carburador no está bien ajustado.</li> <li>3. Una o más de las bujías están defectuosas, sucias o presentan una separación incorrecta.</li> </ol>	<ol style="list-style-type: none"> <li>1. Abra el ESTRANGULADOR. Si los problemas persisten, limpie el filtro de aire. (Consulte el manual del motor).</li> <li>2. Consulte el manual del motor.</li> <li>3. Límpielas y sepárelas, o reemplácelas. Consulte el manual del motor.</li> </ol>
El motor golpea.	<ol style="list-style-type: none"> <li>1. Bajo nivel de aceite.</li> <li>2. Uso de aceite de grado incorrecto.</li> </ol>	<ol style="list-style-type: none"> <li>1. Compruebe o reponga el aceite según sea necesario.</li> <li>2. Consulte el manual del motor.</li> </ol>
El consumo de aceite es excesivo.	<ol style="list-style-type: none"> <li>1. El motor se calienta demasiado al funcionar.</li> <li>2. Uso de aceite de peso incorrecto.</li> <li>3. Exceso de aceite en el cárter.</li> </ol>	<ol style="list-style-type: none"> <li>1. Limpie las aletas del motor, la pantalla del ventilador y el purificador de aire.</li> <li>2. Consulte el manual del motor.</li> <li>3. Drene el exceso de aceite.</li> </ol>
El escape del motor es negro.	<ol style="list-style-type: none"> <li>1. El filtro de aire está sucio.</li> <li>2. El estrangulador no está abierto completamente.</li> </ol>	<ol style="list-style-type: none"> <li>1. Limpie el filtro de aire. Consulte el manual del motor.</li> <li>2. Abra el ESTRANGULADOR. Si el problema persiste, revise los ajustes del filtro de aire y del carburador. Consulte el manual del motor.</li> </ol>

# Localización de fallas, ajustes y reparaciones

## Localización de fallas del tractor (continuación)

PROBLEMA	CAUSA	SOLUCIÓN
El motor funciona, pero el tractor no avanza.	<ol style="list-style-type: none"> <li>1. La palanca de control de la velocidad de avance está en neutro.</li> <li>2. La palanca de liberación de la transmisión se encuentra en la posición de "empuje".</li> <li>3. La correa está rota.</li> <li>4. La correa de transmisión se resbala.</li> <li>5. El freno no está totalmente desenganchado.</li> </ol>	<ol style="list-style-type: none"> <li>1. Ponga la transmisión hacia delante o marcha atrás.</li> <li>2. Muévala hasta la posición de marcha.</li> <li>3. Consulte la sección "Reemplazo de la correa de transmisión del tractor".</li> <li>4. Consulte el problema y su causa a continuación.</li> <li>5. Consulte la sección "Ajuste del freno".</li> </ol>
La correa de transmisión del tractor se resbala.	<ol style="list-style-type: none"> <li>1. El embrague está desajustado.</li> <li>2. Las poleas o la correa tienen grasa o aceite.</li> <li>3. La correa se estiró al máximo o está desgastada.</li> <li>4. El soporte giratorio de la polea loca está atascado en la posición sin embragar.</li> </ol>	<ol style="list-style-type: none"> <li>1. Consulte con su distribuidor.</li> <li>2. Limpie según sea necesario.</li> <li>3. Reemplácela por la correa correcta.</li> <li>4. Retire la polea loca, límpiela y lubríquela.</li> </ol>
El freno no se mantiene.	<ol style="list-style-type: none"> <li>1. El freno está ajustado incorrectamente.</li> <li>2. El disco de freno interno en el transeje está desgastado.</li> </ol>	<ol style="list-style-type: none"> <li>1. Consulte la sección "Ajuste del freno".</li> <li>2. Consulte con su distribuidor.</li> </ol>
La dirección o el manejo del tractor son deficientes.	<ol style="list-style-type: none"> <li>1. La conexión de la dirección está suelta.</li> <li>2. Inflado incorrecto de los neumáticos.</li> <li>3. Los rodamientos del eje están secos.</li> </ol>	<ol style="list-style-type: none"> <li>1. Compruebe y ajuste las conexiones sueltas. Consulte la sección "Ajuste del mecanismo de dirección".</li> <li>2. Revise y corrija.</li> <li>3. Lubrique con grasa los ejes. Consulte la sección "Lubricación".</li> </ol>

## LOCALIZACIÓN DE FALLAS DEL CORTACÉSPED

PROBLEMA	CAUSA	SOLUCIÓN
El cortacésped no se eleva.	<ol style="list-style-type: none"> <li>1. El cable de elevación no está conectado correctamente o está dañado.</li> </ol>	<ol style="list-style-type: none"> <li>1. Conéctelo o repárelo.</li> </ol>
El corte del cortacésped es irregular.	<ol style="list-style-type: none"> <li>1. El cortacésped no está nivelado correctamente.</li> <li>2. Los neumáticos del tractor no están inflados uniformemente o tiene un inflado incorrecto.</li> </ol>	<ol style="list-style-type: none"> <li>1. Consulte la sección "Ajustes del cortacésped".</li> <li>2. Consulte la sección "Mantenimiento regular".</li> </ol>
El corte del cortacésped luce irregular.	<ol style="list-style-type: none"> <li>1. La velocidad del motor es demasiado baja.</li> <li>2. La velocidad de avance es demasiado alta.</li> <li>3. Las cuchillas están desafiladas y necesitan afilarse.</li> <li>4. La correa de transmisión del cortacésped se resbala.</li> <li>5. Verifique el ajuste de la toma de fuerza (embrague eléctrico).</li> <li>6. Las cuchillas no están sujetas en forma adecuada a los husillos.</li> </ol>	<ol style="list-style-type: none"> <li>1. Ajústelo a toda velocidad.</li> <li>2. Ajuste la palanca de control de la velocidad de avance a una velocidad más lenta.</li> <li>3. Consulte la sección "Mantenimiento de las cuchillas del cortacésped".</li> <li>4. La correa tiene grasa o está gastada. Limpie o reemplace la correa según sea necesario.</li> <li>5. Puede que se necesite ajustar el embrague.</li> <li>6. Consulte la sección "Mantenimiento de las cuchillas del cortacésped".</li> </ol>
El motor se detiene con facilidad con el cortacésped enganchado.	<ol style="list-style-type: none"> <li>1. La velocidad del motor es demasiado baja.</li> <li>2. La velocidad de avance es demasiado alta.</li> <li>3. El carburador no está ajustado correctamente.</li> <li>4. La altura de corte se ajustó demasiado baja cuando se corta césped alto.</li> <li>5. Descargue el conducto atascado con césped.</li> </ol>	<ol style="list-style-type: none"> <li>1. Ajuste de 3/4 de marcha a toda marcha.</li> <li>2. Reduzca la velocidad de avance.</li> <li>3. Ajuste del carburador. (Consulte el manual del motor).</li> <li>4. Corte el césped con la máxima altura en la primera pasada.</li> <li>5. Corte césped con la descarga apuntando hacia una zona cortada previamente.</li> </ol>
Vibración excesiva del cortacésped.	<ol style="list-style-type: none"> <li>1. Los tornillos de montaje de la cuchilla están sueltos.</li> <li>2. Las cuchillas, los husillos o las poleas del cortacésped están torcidos.</li> <li>3. Las cuchillas del cortacésped no están equilibradas.</li> <li>4. La correa se instaló en forma incorrecta.</li> </ol>	<ol style="list-style-type: none"> <li>1. Apriete de 61 a 75 Nm (45 a 55 lb/pie).</li> <li>2. Revise y reemplace según sea necesario.</li> <li>3. Retirar, afilar y equilibrar las cuchillas. Consulte la sección "Mantenimiento de las cuchillas del cortacésped".</li> <li>4. Consulte la sección "Reemplazo de la correa del cortacésped".</li> </ol>
Rotura excesiva de la correa.	<ol style="list-style-type: none"> <li>1. Las poleas están torcidas o desiguales.</li> <li>2. Uso de la correa incorrecta.</li> </ol>	<ol style="list-style-type: none"> <li>1. Repárelas o reemplácelas.</li> <li>2. Consulte con su distribuidor.</li> </ol>
La correa de transmisión del cortacésped se sale o no realiza la transmisión.	<ol style="list-style-type: none"> <li>1. El resorte de la polea loca está roto o incorrectamente conectado.</li> <li>2. Correa de transmisión del cortacésped rota.</li> </ol>	<ol style="list-style-type: none"> <li>1. Consulte con su distribuidor.</li> <li>2. Reemplácela.</li> </ol>

### ADVERTENCIA

Para evitar lesiones grave, realice los ajustes únicamente con el motor detenido, tras haber retirado la llave y con el tractor sobre suelo nivelado.

### AJUSTE DEL ASIENTO

Use la palanca de la parte delantera del asiento (A, Figura 22) para ajustar el asiento hacia delante o hacia atrás para brindar una mejor comodidad.

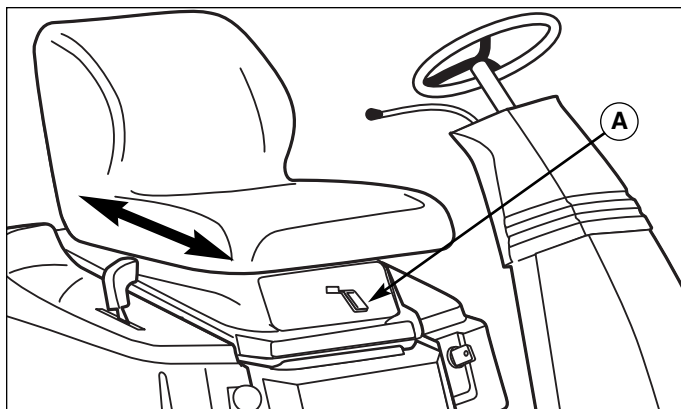


Figura 22. Ajuste del asiento  
A. Palanca de ajuste del asiento

### AJUSTE DEL MECANISMO DE DIRECCIÓN

Si el sistema de dirección está demasiado suelto, el mecanismo de dirección se puede volver a indexar al árbol de la dirección.

1. Consulte la Figura 23. Suelte los dos tornillos de cabeza (A) y empuje el soporte, de modo que los dientes del engranaje estén engranados muy de cerca.
2. Apriete las tuercas luego del ajuste de 47 a 54 Nm (35 a 40 lb/pie).

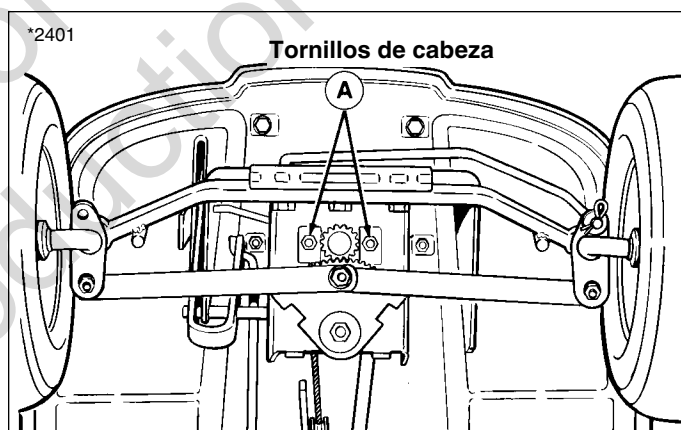


Figura 23. Ajuste del mecanismo de dirección  
A. Tornillos de cabeza

### AJUSTE DEL VOLANTE

La unidad viene equipada con un árbol de dirección de posición doble, que permite el ajuste del volante para la comodidad del operador.

1. Tire hacia abajo la funda de goma para exponer los dos orificios en el árbol de la dirección (A, Figura 24).
2. Use un punzón expulsador adecuado para retirar el pivote de rodillo en la base del volante.
3. Alinee el orificio en el volante con el orificio correspondiente en el árbol de la dirección e instale el pivote de rodillo.

NOTA: El volante se instala en fábrica con el pivote de rodillo en el orificio inferior.

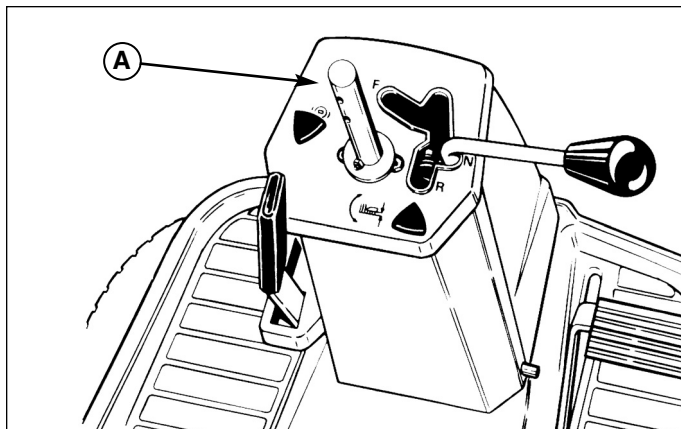


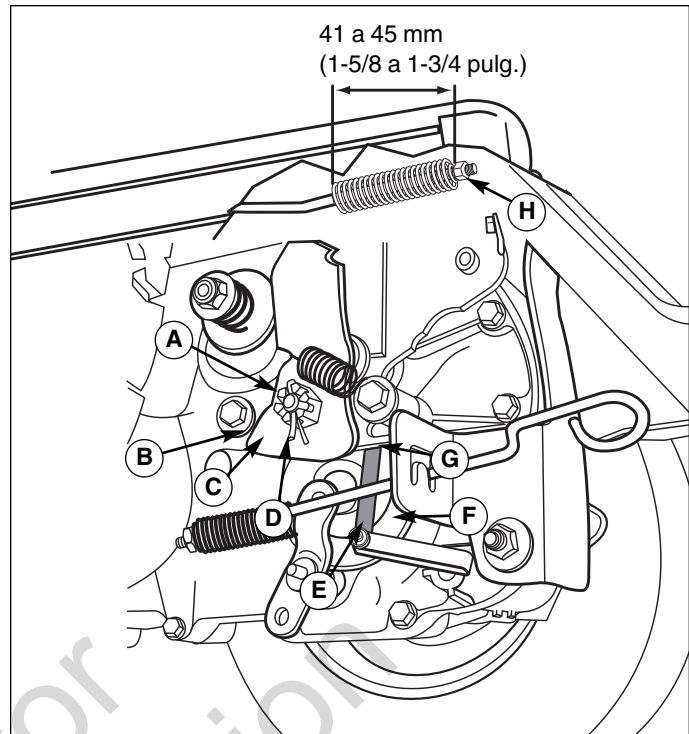
Figura 24. Ajuste de altura del volante  
A. Árbol de la dirección

# Localización de fallas, ajustes y reparaciones

## AJUSTE DEL FRENO

### Ajuste del freno

1. Libere el freno de estacionamiento.
2. El brazo del freno (C, Figura 25) debe tocar la detención (B).
3. Retire el pasador de aletas (D) y suelte la tuerca almenada (A). Coloque un calibrador de separaciones de 0,4 mm (0,015 pulg.) (E) en la separación entre el disco de freno (F) y el patín del freno (G).
  - a. Para reducir la separación, inserte un calibrador de separaciones en el espacio y gire la tuerca (A) en el sentido de las agujas del reloj hasta que sienta resistencia en el calibrador. Para aumentar la separación, gire la tuerca (A) en sentido contrario al de las agujas del reloj y vuelva a revisar la separación.
  - b. Gire la tuerca (en sentido contrario al de las agujas del reloj) hasta que la ranura más cercana se alinee con el orificio en las roscas. Reemplace el pasador de aletas.
4. Coloque el freno de estacionamiento. Suelte o apriete la tuerca de ajuste (H) para lograr una longitud comprimida del resorte de 41 a 45 mm (1-5/8 a 1-3/4 pulg.), como se muestra en la Figura 25.



## VERIFICACIÓN DEL FRENO DE LAS CUCHILLAS

Las cuchillas y la correa de transmisión del cortacésped deben detenerse completamente dentro de cinco segundos luego de apagar el interruptor de toma de fuerza eléctrico.

1. Con el tractor en neutro, la toma de fuerza desactivada y el operador en el asiento, arranque el motor.
2. Revise el reposapiés de la izquierda en la correa de transmisión del cortacésped. Accione la toma de fuerza y espere algunos segundos. Desactive la toma de fuerza y verifique la cantidad de tiempo que demora la correa de transmisión en detenerse.
3. Si la correa de transmisión del cortacésped no se detiene dentro de cinco segundos, consulte con su distribuidor.

Figura 25. Ajuste del freno

- |                      |                               |
|----------------------|-------------------------------|
| A. Tuerca almenada   | E. Calibrador de separaciones |
| B. Detención         | F. Disco de freno             |
| C. Brazo del freno   | G. Patín del freno            |
| D. Pasador de aletas | H. Tuerca de ajuste           |



## AJUSTES DEL CORTACÉSPED

Si el corte es irregular, es posible que deba nivelar el cortacésped. La presión desigual o inadecuada del neumático también puede provocar un corte irregular. Asegúrese de que la presión del neumático sea la correcta de acuerdo con lo que se especifica en Verificación de la presión de los neumáticos. Para lograr una nivelación adecuada del cortacésped, realice la nivelación lado a lado y de adelante hacia atrás, y los procedimientos de ajuste de altura del transporte, en orden, como se explica a continuación:

### Nivelación lado a lado

1. Con el cortacésped instalado, coloque el tractor sobre una superficie lisa y plana como un suelo de hormigón. Gire las ruedas delanteras hasta que queden rectas.
2. Compruebe que no existan cuchillas torcidas y reemplácelas si fuese necesario.
3. Suelte la tuerca (C, Figura 26) de modo que los brazos de arrastre queden sueltos. El cortacésped debe descansar sobre rodillo sin peso sobre los brazos de arrastre.
4. Use el control Dial-A-Cut™ (E, Figura 27) y coloque el cortacésped en la posición de corte medio al alinear el borde delantero de la palanca elevadora del cortacésped (A) con el número 2 ó 3 de la escala de cuadrante.
5. Asegúrese de que los rodillos traseros (C, Figura 28) estén en el suelo. Si no lo están, consulte el ajuste de la altura de transporte.

*NOTA: Si los rodillos no descansan en el suelo y es necesario realizar un ajuste de altura de transporte, será necesario realizar dicho ajuste nuevamente luego de terminar los procedimientos de nivelación.*

6. Coloque las cuchillas de lado a lado y mida la distancia desde la punta exterior de las cuchillas hasta el suelo. La medición debe ser igual (dentro de 3 mm [1/8 pulg.]).
7. Consulte la Figura 28. En el lado izquierdo del cortacésped, asegúrese de que la tuerca excéntrica esté en la posición correcta, como se muestra. Suelte la tuerca exterior (A) y gire la tuerca excéntrica (B), de modo que el lado plano con el orificio más cercano a ésta esté orientado hacia atrás. Apriete la tuerca exterior (A) mientras sostiene la tuerca excéntrica (B).
8. En el lado derecho del cortacésped, suelte la tuerca exterior (A). Gire la tuerca excéntrica (B) en el sentido contrario al de las agujas del reloj para elevar el lado del cortacésped, o en el sentido de las agujas del reloj para bajar el lado derecho de la unidad.

*NOTA: No gire la tuerca excéntrica más de 1/4 de giro en cualquiera de las direcciones. Cuando esté ajustada más de 1/4 de giro, la tuerca moverá el cortacésped en la dirección opuesta a aquella con la que se comenzó a ajustar.*

9. Cuando el ajuste sea correcto, sostenga la tuerca excéntrica (B) y apriete la tuerca (A) a 41 Nm (30 lb/pie). Revise la medición en ambos lados del cortacésped.

## ⚠ ADVERTENCIA

Antes de revisar el cortacésped, apague la toma de fuerza y el motor. Permita que se detengan todas las piezas móviles. Retire la llave de encendido, desconecte luego el cable de la bujía y sitúelo lejos de la bujía.

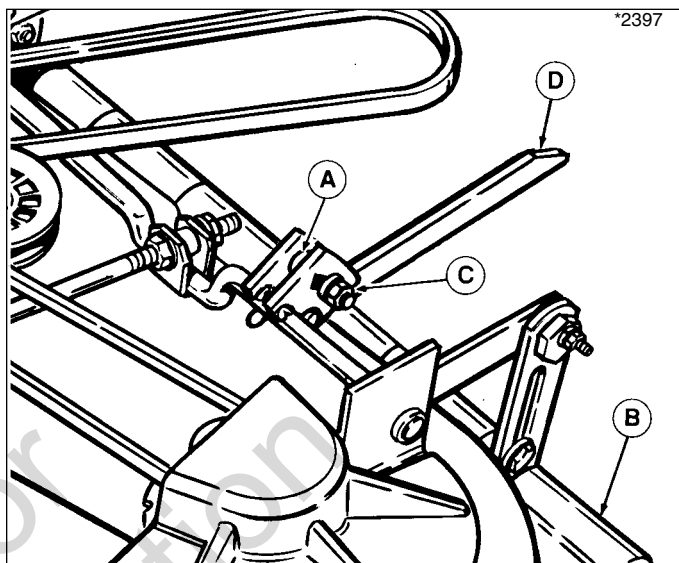


Figura 26. Brazos de arrastre

- A. Espaciadores
- B. Rodillos del cortacésped trasero
- C. Tuerca
- D. Brazos de arrastre trasero

## ⚠ ADVERTENCIA

Las cuchillas del cortacésped son elementos cortantes. Gire la correa de transmisión del cortacésped para girar las cuchillas en su posición o use guantes de protección para protegerse de lesiones.

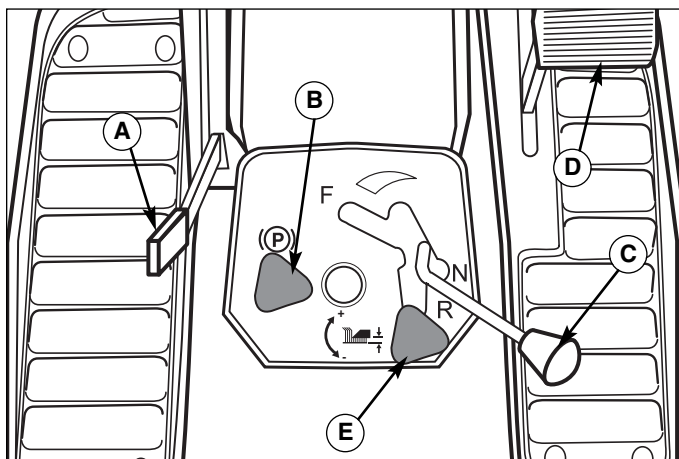
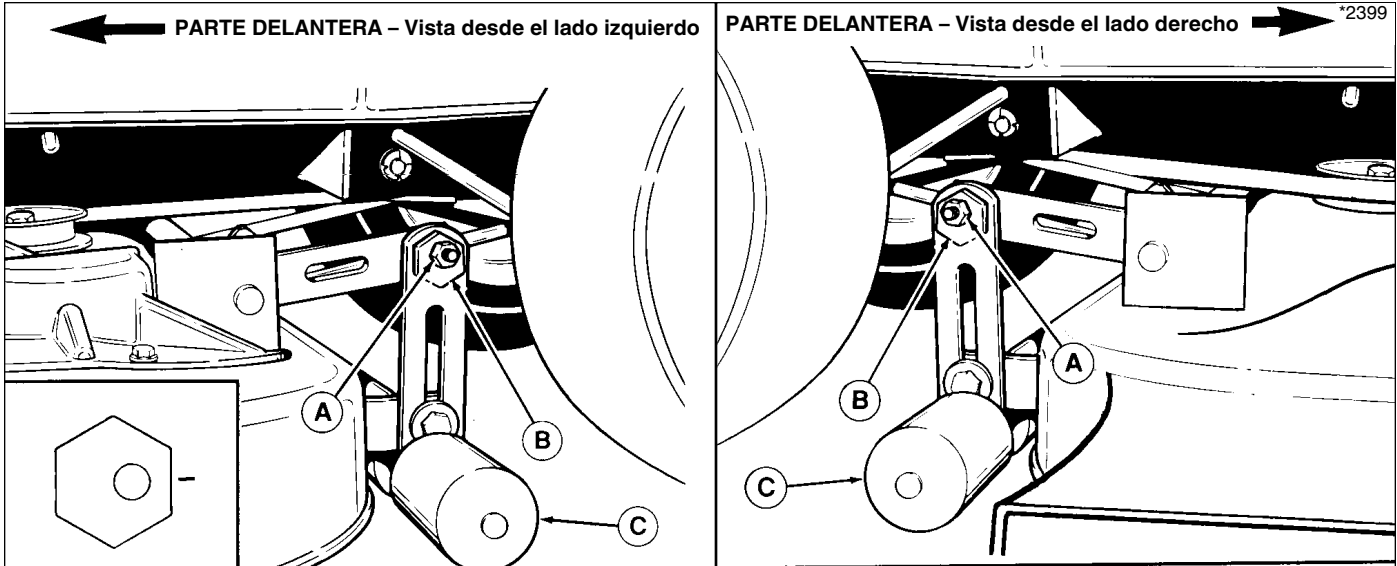


Figura 27. Controles

- A. Palanca elevadora del cortacésped
- B. Perilla del freno de estacionamiento
- C. Palanca de control de la velocidad de avance
- D. Pedal del embrague/freno
- E. Control Dial-A-Cut™

# Localización de fallas, ajustes y reparaciones



**Figura 28. Nivelación del cortacésped lado a lado**

- A. Tuerca
- B. Tuerca excéntrica
- C. Rodillos traseros



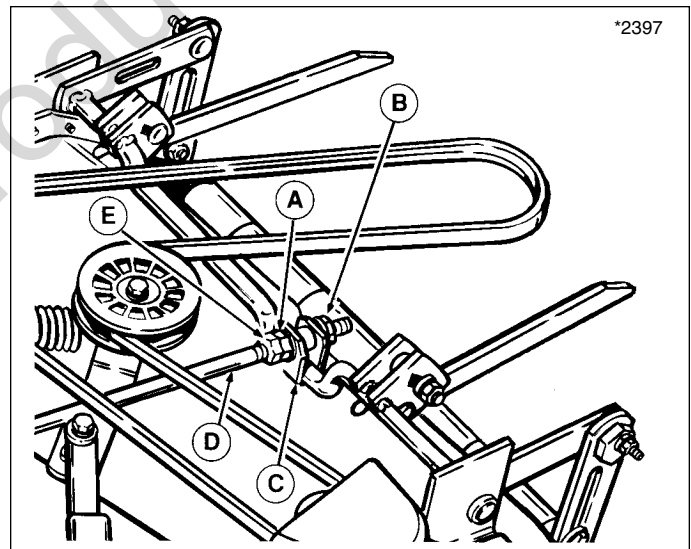
## Nivelación de adelante hacia atrás

1. Asegúrese de que el cortacésped esté nivelado de lado a lado y que los rodillos traseros estén en el suelo.
2. Coloque las cuchillas de adelante hacia atrás. Mida la distancia desde el suelo hasta la punta delantera de las cuchillas y desde el suelo a la punta trasera de las cuchillas.

**En el cortacésped de 76 cm (30 pulg.),** la punta delantera debe estar nivelada 3 mm (1/8 pulg.) más arriba que la punta trasera.

**En el cortacésped de 86 cm (34 pulg.),** las puntas delanteras deben estar niveladas 6 mm (1/4 pulg.) más arriba que las puntas traseras.

3. Consulte la Figura 29. Suelte la contratuerca (E). Para bajar la parte trasera de la plataforma del cortacésped, suelte la tuerca (B) lo que alargará la barra de nivelación (D). Para levantar la parte trasera de la plataforma, acorte la barra de nivelación (D). Cuando se logre la medida adecuada, apriete la tuerca (A) contra el soporte y luego apriete la contratuerca (E) contra la tuerca (A).



**Figura 29. Nivelado de adelante hacia atrás**

- A. Tuerca de ajuste
- B. Tuerca trasera
- C. Soporte
- D. Barra de nivelación
- E. Contratuerca

### Ajuste de la altura de transporte

La altura de transporte se debe ajustar de forma que los rodillos del cortacésped trasero estén de 3 a 6 mm (1/8 a 1/4 pulg.) sobre el suelo cuando la palanca elevadora del cortacésped está en la posición de transporte. Para ajustar, realice primero ambos procedimientos de nivelación del cortacésped, luego realice el siguiente procedimiento.

Consulte la Figura 30.

1. Estacione el tractor en una superficie plana y nivelada.
2. Ajuste el control Dial-A-Cut™ de modo que el borde delantero de la palanca elevadora del cortacésped se alinee con la marca de 7 cm (2 3/4 pulg.), en el cortacésped de 86 cm (34 pulg.), o con la marca de 8 cm (3 pulg.), en el cortacésped de 76 cm (30 pulg.), de la escala de cuadrante.
3. Suelte la tuerca (C) y coloque el espaciador (A) contra los brazos de arrastre trasero (D). Coloque el espaciador derecho e izquierdo contra los brazos de arrastre.
4. Apriete bien la tuerca (C).
5. Coloque la palanca elevadora del cortacésped en la posición de transporte. Los rodillos del cortacésped trasero deben estar 3 a 6 mm (1/8 a 1/4 pulg.) del suelo. De lo contrario, repita los pasos 2 al 4.

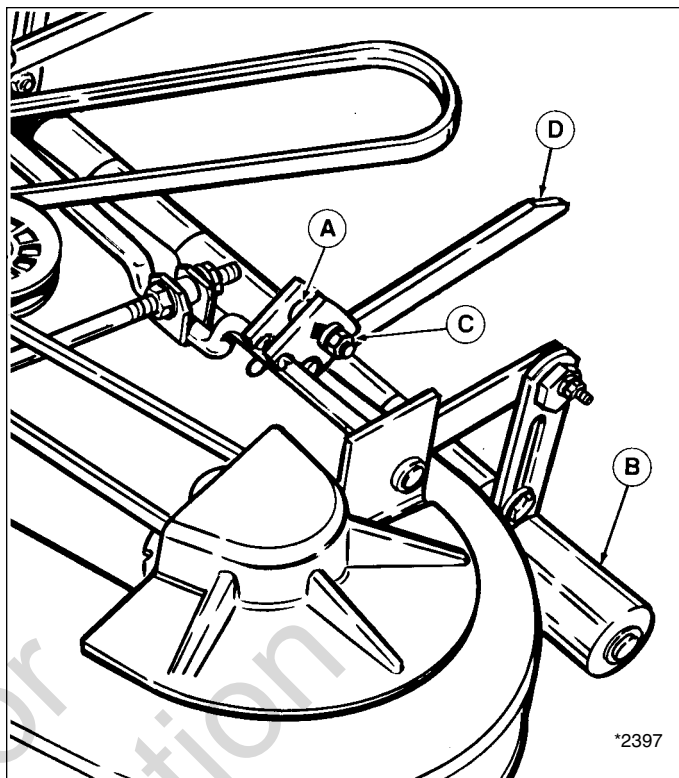


Figura 30. Ajuste de altura de transporte

- A. Espaciadores
- B. Rodillos del cortacésped trasero
- C. Tuerca
- D. Brazos de arrastre trasero

## CARGA DE LA BATERÍA

### ADVERTENCIA

**Mantenga las llamas expuestas y las chispas lejos de la batería; los gases que provienen de ésta son altamente explosivos. Ventile en forma correcta la batería durante la carga.**

Una batería muerta o con poca carga para arrancar el motor puede ser el resultado de un defecto en el sistema de carga u otros componentes eléctricos. Si tiene alguna duda con respecto al origen del problema, consulte con su distribuidor. Si necesita sustituir la batería, siga los pasos que se establecen en "Limpieza de la batería y de los cables" en la sección MANTENIMIENTO REGULAR.

Para cargar la batería, siga las instrucciones que facilita el fabricante del cargador de la batería y también todas las advertencias que se incluyen en las secciones de normas de seguridad de este libro. Cargue la batería hasta que esté cargada completamente (hasta que la gravedad específica del electrolito sea 1,250 o mayor, y la temperatura del electrolito sea al menos de 16° C [60° F]), pero no lo haga a una velocidad mayor que 10 amperios.

# Localización de fallas, ajustes y reparaciones



Para evitar el daño de las correas, NO HAGA PALANCA CON LAS CORREAS SOBRE LAS POLEAS.

## REEMPLAZO DE LA CORREA DE TRANSMISIÓN DEL TRACTOR

El reemplazo de la correa de transmisión del tractor requiere que se retire el chasis del transportador y la transmisión. En caso de que falle la correa de transmisión, comuníquese con su distribuidor para obtener un repuesto.

## REEMPLAZO DE LA CORREA DEL CORTACÉSPED - 76 CM (30 PULG.)

Consulte la Figura 31.

1. No se necesita retirar el cortacésped para instalar una nueva correa. No obstante, para obtener un acceso más fácil, se puede retirar el cortacésped según los pasos de "Retiro e instalación del cortacésped".
2. Si no retira el cortacésped, colóquelo en la posición de corte más baja. Tire el brazo de la polea loca (A) hacia usted para aliviar la tensión de la correa. Retire la correa de la polea loca (B) y de la polea de husillo central (C).
3. Retire la correa de la polea loca delantera (D) y la polea de toma de fuerza (E).
4. Reemplace la correa antigua por la nueva. Asegúrese de que el lado en V de la correa se desplace en las ranuras de todas las poleas excepto en la polea loca (B). Revise el patrón de la correa como se muestra.
5. Instale el cortacésped si se retiró e instale la correa en la polea de toma de fuerza (E).

## REEMPLAZO DE LA CORREA DEL CORTACÉSPED - 76 CM (34 PULG.)

Consulte la Figura 32.

1. No se necesita retirar el cortacésped para instalar una nueva correa. No obstante, para obtener un acceso más fácil, se puede retirar el cortacésped según los pasos de "Retiro e instalación del cortacésped".
2. Si no retira el cortacésped, colóquelo en la posición de corte más baja. Empuje el brazo de la polea loca (A, Figura 32) para aliviar la tensión de la correa. Retire la correa de la polea loca (B) y de la polea de toma de fuerza (C).
3. Retire los tres tornillos de cabeza (D, Figura 31) que fijan la cubierta del husillo izquierdo.
4. Retire la correa antigua de las poleas de husillo y reemplace con una nueva correa. Asegúrese de que el lado en V de la correa se desplace por las ranuras de todas las poleas de husillo y de que el lado posterior plano se desplace contra la polea loca. Consulte el patrón de la correa en la Figura 33.
5. Instale el cortacésped si se retiró e instale la correa en la polea de toma de fuerza (C, Figura 32). Empuje el brazo secundario libre e instale la correa alrededor de la polea loca.

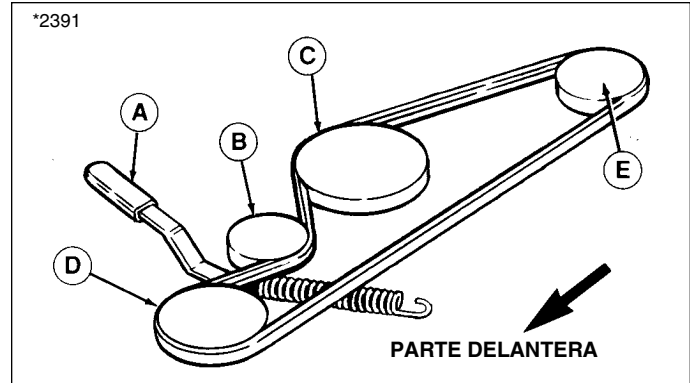


Figura 31. Patrón de la correa - Cortacésped de 76 cm (30 pulg.)

- A. Brazo de la polea loca
- B. Polea loca
- C. Polea de husillo central
- D. Polea loca delantera
- E. Polea de toma de fuerza (Embrague eléctrico)

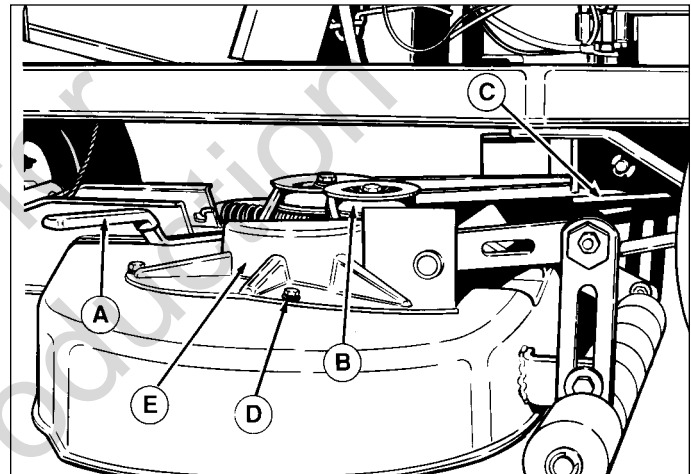


Figura 32. Reemplazo de la correa del cortacésped - 86 cm (34 pulg.)

- A. Brazo de la polea loca
- B. Polea loca
- C. Polea de toma de fuerza
- D. Tornillos de cabeza
- E. Cubierta del husillo

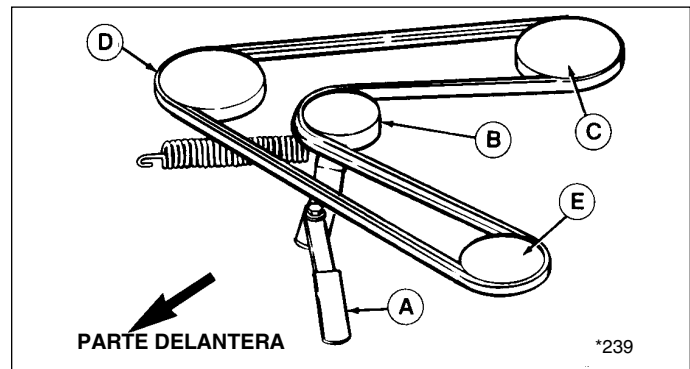


Figura 33. Patrón de la correa - Cortacésped de 86 cm (34 pulg.)

- A. Polea del brazo secundario libre
- B. Polea loca
- C. Polea de toma de fuerza
- D. Polea de husillo derecha
- E. Polea de husillo izquierda

# Especificaciones

NOTA: Las especificaciones técnicas son correctas al momento de la impresión y están sujetas a cambio sin previo aviso.

\* La clasificación de potencia bruta para el modelo de motor de gasolina individual está etiquetada de acuerdo con el código J1940 (Small Engine Power & Torque Rating Procedure) de la SAE (Society of Automotive Engineers), y la clasificación de rendimiento se obtuvo y corrigió en conformidad con SAE J1995 (Modificación 2002-05). Los valores de par motor han sido obtenidos a 3060 rpm; los valores de caballos de fuerza han sido obtenidos a 3600 rpm. La potencia bruta real del motor se verá disminuida y afectada por, entre otros elementos, las condiciones ambientales de funcionamiento y variabilidad entre motores. Dado el amplio conjunto de productos en que son colocados los motores y la variedad de cuestiones ambientales pertinentes para el funcionamiento del equipo, el motor de gasolina no desarrollará la potencia nominal bruta cuando sea utilizado en un componente dado de equipamiento de motor (caballos de fuerza efectivos in situ o netos). Estas diferencias se deben a una amplia variedad de factores, lo que incluye, entre otros, accesorios (limpiadores de aire, tubos de escape, carga, refrigeración, carburador, bomba de combustible), limitaciones de aplicación, condiciones ambientales de funcionamiento (temperatura, humedad, altitud), y la variabilidad entre motores. A causa de las limitaciones de fabricación y de capacidad, Briggs & Stratton podrá sustituir una mayor potencia clasificada para este motor de serie.

## MOTOR

### 13 HP\* Intek OHV — Briggs & Stratton

Potencia en caballos de fuerza	13 HP a 3400 rpm
Desplazamiento	344 cc (21 pulg. cúbicas)
Aspectos eléctricos	Batería de CC de 12 voltios, 3 amperios, 230 CCA
Limpiador de aire	Aire limpiado previamente al filtro de papel
Capacidad de aceite	1,24 a 1,4 L (42 a 44 oz) - sin filtrar

### 13,5 HP\* Intek OHV — Briggs & Stratton

Potencia en caballos de fuerza	13,5 HP a 3400 rpm
Desplazamiento	344 cc (21 pulg. cúbicas)
Aspectos eléctricos	Batería de CC de 12 voltios, 3 amperios, 230 CCA
Limpiador de aire	Aire limpiado previamente al filtro de papel
Capacidad de aceite	1,24 a 1,4 L (42 a 44 oz) - sin filtrar

### 16 HP\* Command™ — Kohler

Potencia en caballos de fuerza	16 HP a 3400 rpm
Desplazamiento	460 cc (27,9 pulg. cúbicas)
Aspectos eléctricos	Batería de alternador de 12 voltios, 15 amperios: 230 CCA
Capacidad de aceite	1,9 litros (64 oz)

## TRANSMISIÓN

### Modelos hidráulicos

Tipo	Hidrostático
Lubricación	La transmisión es una unidad sellada
Velocidades de avance	Avance infinito: 0 a 8,4 km/h (0 a 5,2 MPH) Marcha atrás: 0 a 3,7 km/h (0 a 2,3 MPH)

## CHASIS

### Ruedas delanteras

Tamaño de los neumáticos  
13 x 5,00-6  
Presión del inflado neumático a  
0,68 a 0,82 bar (10 a 12 psi)

### Ruedas traseras

Tamaño de los neumáticos  
16 x 6,50-8  
Presión del inflado neumático a  
0,68 a 0,82 bar (10 a 12 psi)  
Material: Polietileno no corrosivo  
Capacidad: 7,5 L (2 galones)  
Dentro del neumático trasero  
30,2 cm (12 pulg.)

### Depósito de combustible

### Radio de giro

## DIMENSIONES

Largo total	155 cm (61 pulg.)
Ancho total	
- con cortacésped de 76 cm (30 pulg.)	97,8 cm (38,5 pulg.)
- con cortacésped de 86 cm (34 pulg.)	115,6 cm (45,5 pulg.)
- en las ruedas traseras	83,8 cm (33 pulg.)
Altura de	
- Volante	104,1 cm (41 pulg.)
- Respaldo del asiento	88,9 cm (35 pulg.)
- Cubierta del motor	71,1 cm (28 pulg.)
Base de la rueda	109,2 cm (43 pulg.)
Peso (aprox.)	
- 13 HP con cortacésped de 86 cm (34 pulg.)	Neto: 183 kg (405 lb)
- 16 HP con cortacésped de 86 cm (34 pulg.)	Neto: 183 kg (405 lb)

# Piezas y accesorios

---

## REPUESTOS

Los repuestos están disponibles a través de su distribuidor autorizado. Utilice siempre repuestos auténticos Simplicity/Snapper.

## PUNTOS DEL MANTENIMIENTO

Muchos convenientes y útiles elementos de reparación y mantenimiento están disponibles en su distribuidor autorizado. Entre algunos de estos elementos se encuentran:

- Aceite de motor
- Pintura de retoque
- Kit de pistola de grasa
- Tubo de grasa de 8 oz.
- Sellador para neumáticos
- Limpiador/desengrasador
- Estabilizador para combustible

## ACCESORIOS OPCIONALES

- Recogedor de césped de dos bolsas
- Carro de desechos
- Kit de contador horario
- Recipiente de gasolina
- Preso delantero

## MANUALES TÉCNICOS

Se encuentran disponibles copias de este manual, así como también, listas de piezas con ilustraciones. Estos manuales muestran todos los componentes de los productos en vistas detalladas (ilustraciones en 3D que muestran la relación de las piezas y la forma en que se unen), además de los números de pieza y la cantidad necesaria. Se incluyen también importantes notas de montaje y valores de torsión.

Los manuales técnicos pueden descargarse desde

[www.simplicitymfg.com](http://www.simplicitymfg.com)

[www.snapper.com](http://www.snapper.com)

Modelo: \_\_\_\_\_

N° de fabricación: \_\_\_\_\_

Su nombre: \_\_\_\_\_

Dirección: \_\_\_\_\_

Ciudad, estado, código postal: \_\_\_\_\_

N° de Visa/Mastercard: \_\_\_\_\_

Fecha de vencimiento de la tarjeta: \_\_\_\_\_

Not for  
Reproduction

Not for  
Reproduction



[www.simplicitymfg.com](http://www.simplicitymfg.com)



[www.snapper.com](http://www.snapper.com)



[www.MasseyLawn.com](http://www.MasseyLawn.com)

Briggs & Stratton Power Products Group, L.L.C.  
Copyright © 2010 Briggs & Stratton Corporation  
Milwaukee, WI, EE.UU. Todos los derechos reservados.  
[www.BRIGGSandSTRATTON.com](http://www.BRIGGSandSTRATTON.com)

