

REPLACEMENT PARTS

CUSTOMER MODEL: 552544

FACTORY MODEL: 385002x190A

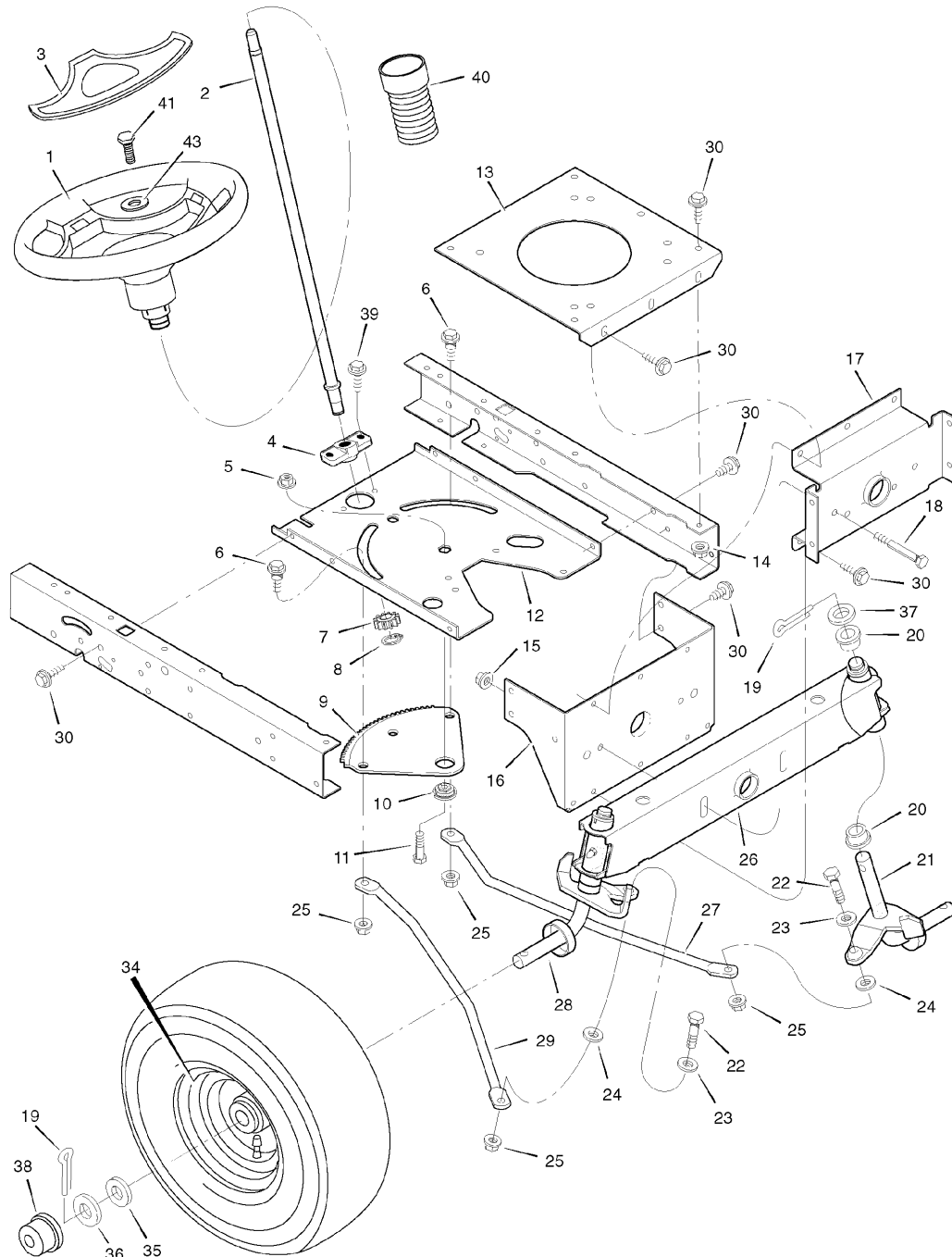


PRODUCT COMPONENTS	PAGES
Steering	4
Engine Mount	6
Motion Drive	8
Electrical System	12
Chassis & Hood	14
Decals	18
Mower Housing	20
Mower Housing Suspension	24
Torque Specification Chart	Inside Back Cover

Steering

0007

**NOTE: Unless noted otherwise,
use the standard hardware torque
specification chart.**



The above parts group applies to the following Mfg. Nos.:
385002x190A - 552544

Steering

REF NO	PART NO.	DESCRIPTION
1	1001980MA	Wheel, Steering
2	690338MA	Post, Steering
3	1001982MA	Cover, Steering Wheel
4	094124MA	Bearing (Included with Ref. No. 2)
5	15X111MA	Nut, Flange (Included with Ref. No. 2)
6	009X57MA	Bolt, Shoulder
7	1001893MA	Gear, Pinion (Included with Ref. No. 2)
8	011X25MA	Ring, Snap (Included with Ref. No. 2)
9	094121MA	Gear, Sector
10	094123MA	Bearing
11	001X84MA	Bolt
12	1001121E701MA	Plate, Steering
13	094006E701MA	Plate, Engine
14	015X88MA	Nut, Flange
15	15X118MA	Nut, Flange
16	1001270E701MA	Bracket, Hanger
17	094007E701MA	Axle, Hanger
18	01X146MA	Bolt
19	030X49MA	Pin, Cotter
20	690150MA	Bearing
21	094576E701MA	Spindle Assembly, Left
22	01X111MA	Bolt
23	17X104MA	Washer
24	017x47MA	Washer
25	015X84MA	Nut, Flange
26	1001460E701MA	Axle Assembly
27	095329E701MA	Drag Link, Left
28	094575E701MA	Spindle Assembly, Right
29	095328E701MA	Drag Link, Right
30	26X249MA	Screw
34	1001840601MA	Wheel and Tire Assembly
35	17X195MA	Washer
36	17X192MA	Washer
37	17X113MA	Washer
38	094618MA	Hub Cap
39	26X267MA	Screw
40	092059MA	Bellows
41	0025X3MA	Bolt
43	17X146MA	Washer

Footnotes

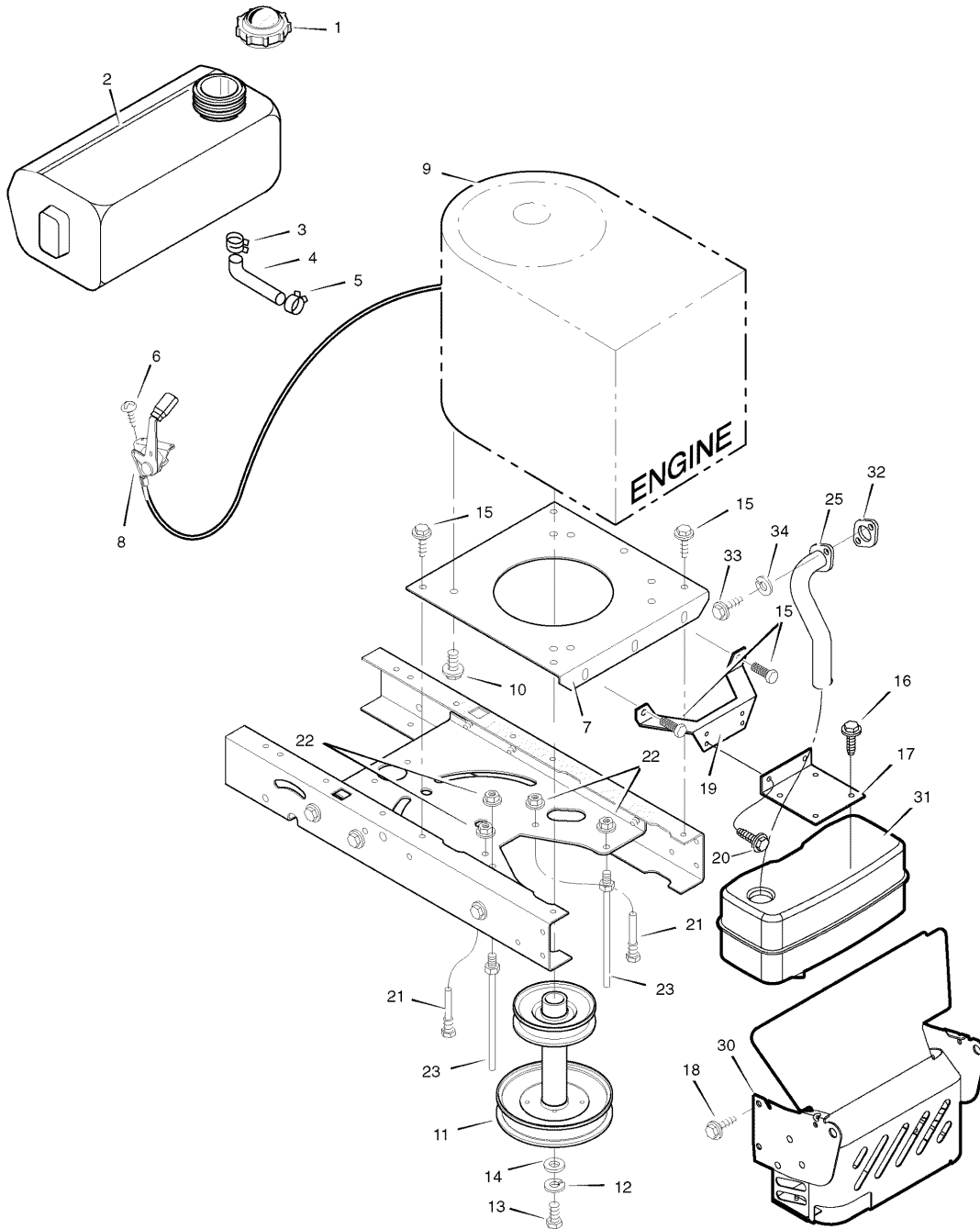
The above parts group applies to the following Mfg. Nos.:

385002x190A - 552544

Engine Mount

0013

NOTE: Unless noted otherwise,
use the standard hardware torque
specification chart.



The above parts group applies to the following Mfg. Nos.:
385002x190A - 552544

Engine Mount

REF NO	PART NO.	DESCRIPTION
1	092317MA	Fuel Cap (Included with Ref. No. 2)
2	1001947MA	Fuel Tank
3	095197MA	Hose Clamp (Included with Ref. No. 2)
4	7601033MA	Fuel Line (Must cut to length) (Included with Ref. No. 2)
5	095197MA	Hose Clamp (Included with Ref. No. 2)
6	26X201MA	Screw
7	094006E701MA	Plate, Engine
8	092371MA	Throttle Control
9	-----	* Engine, BRIGGS & STRATTON
10	0025X7MA	Bolt, Engine Mount
11	690439ZMA	Stack Pulley Assembly
12	019X35MA	Lockwasher
13	01X140MA	Bolt, Hex
14	17X170MA	Washer
15	26X249MA	Screw
16	26x229MA	Screw
17	690538E701MA	Bracket, Muffler
18	26x277MA	Screw
19	690537E701MA	Bracket, Muffler Mount
20	26x263MA	Screw
21	094384MA	Guide, Belt
22	015x79MA	Nut, Flange
23	094066MA	Guide, Belt
25	1001747MA	Exhaust Tube, Single
30	1001627E701MA	Shield, Heat
31	094654MA	Muffler
32	091309MA	Gasket
33	06x103MA	Screw
34	018x15MA	Washer

Footnotes

Note * For Information on Replacement Parts for this engine contact the Manufacturer.

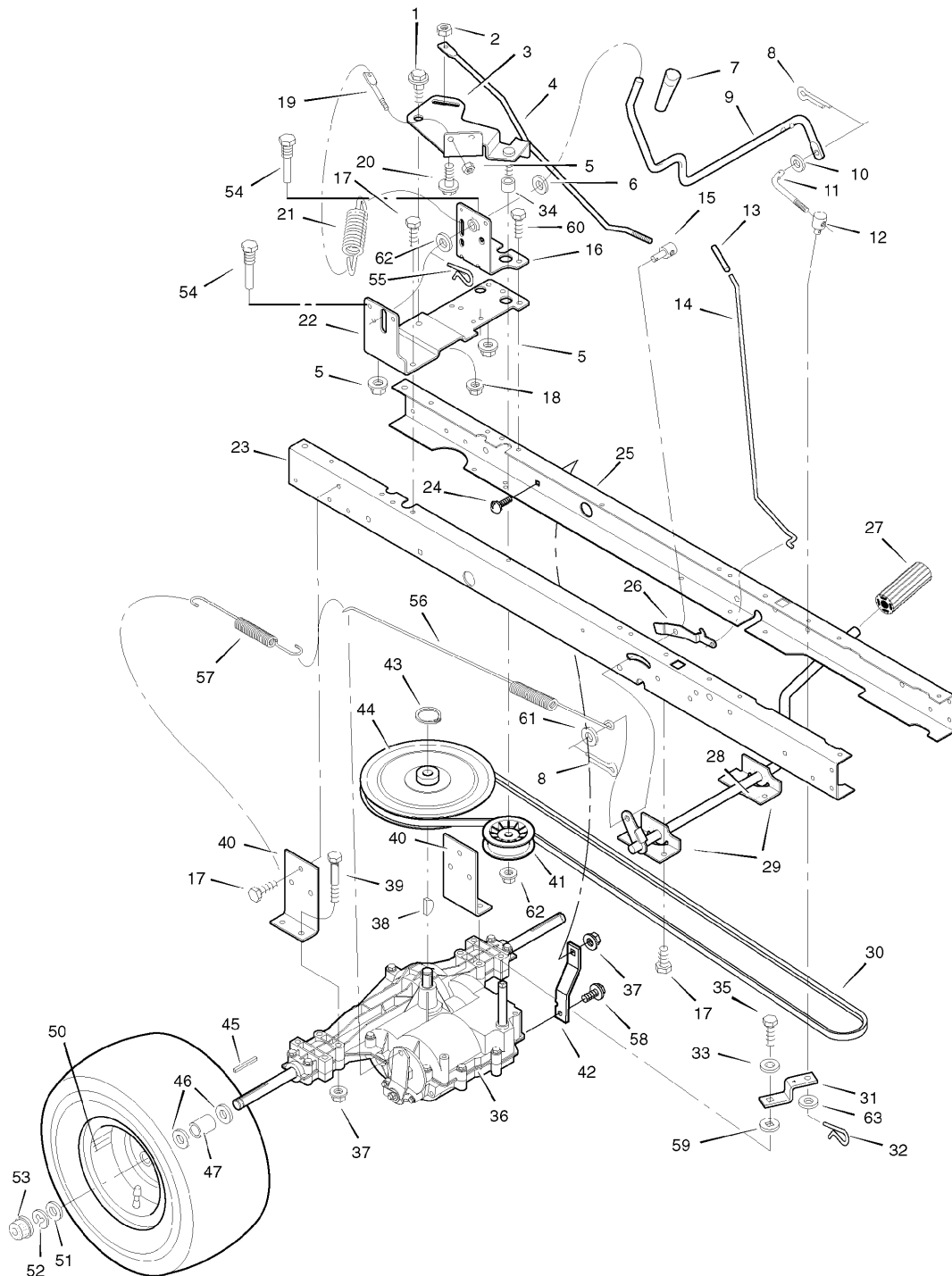
The above parts group applies to the following Mfg. Nos.:

385002x190A - 552544

Motion Drive

NOTE: Unless noted otherwise,
use the standard hardware torque
specification chart.

0005



The above parts group applies to the following Mfg. Nos.:
385002x190A - 552544

Motion Drive

REF NO	PART NO.	DESCRIPTION
1	009X39MA	Bolt, Shoulder
2	015X89MA	Nut, Hex
3	690173E701MA	Arm, Idler
4	094041ZMA	Rod, Clutch
5	015X79MA	Nut
6	17X102MA	Washer
7	092697MA	Grip
8	030X20MA	Pin, Cotter
9	094043ZMA	Lever, Shift
10	017X47MA	Washer
11	094044ZMA	Link, Shift
12	021920ZMA	Nut, Adjuster
13	091079MA	Grip
14	1001271ZMA	Rod, Parking Brake
15	094815ZMA	Nut, Adjuster
16	1001303ZMA	Bracket, Shift Pivot
17	26X249MA	Screw
18	015X84MA	Nut
19	094042ZMA	Mount, Stud Spring
20	009X54MA	Bolt, Shoulder
21	165X116MA	Spring, Extension
22	1001978E701MA	Bracket, Right Shifter
23	1001928E701MA	Frame, Right
24	002X53MA	Bolt, Carriage
25	1001927E701MA	Frame, Left
26	094045ZMA	Latch, Parking Brake
27	021544MA	Pedal
28	094038E701MA	Lever, Brake/Clutch
29	1001117E701MA	Bracket, Pedal
30	037X87MA	Belt, Motion Drive
31	094031ZMA	Yoke, Shift
32	0031X6MA	Pin, Hair
33	017X38MA	Washer
34	690369MA	Spacer
35	06X105MA	Bolt
36	-----	* Transaxle
37	015X88MA	Nut
38	020697MA	Key, Woodruff
39	01X155MA	Bolt
40	094008E701MA	Bracket, Transaxle
41	690409MA	Pulley
42	094433MA	Bracket, Transaxle Support
43	0011X7MA	Ring Retainer

Footnotes

Note * For Replacement Parts see the Transaxle manufacturer

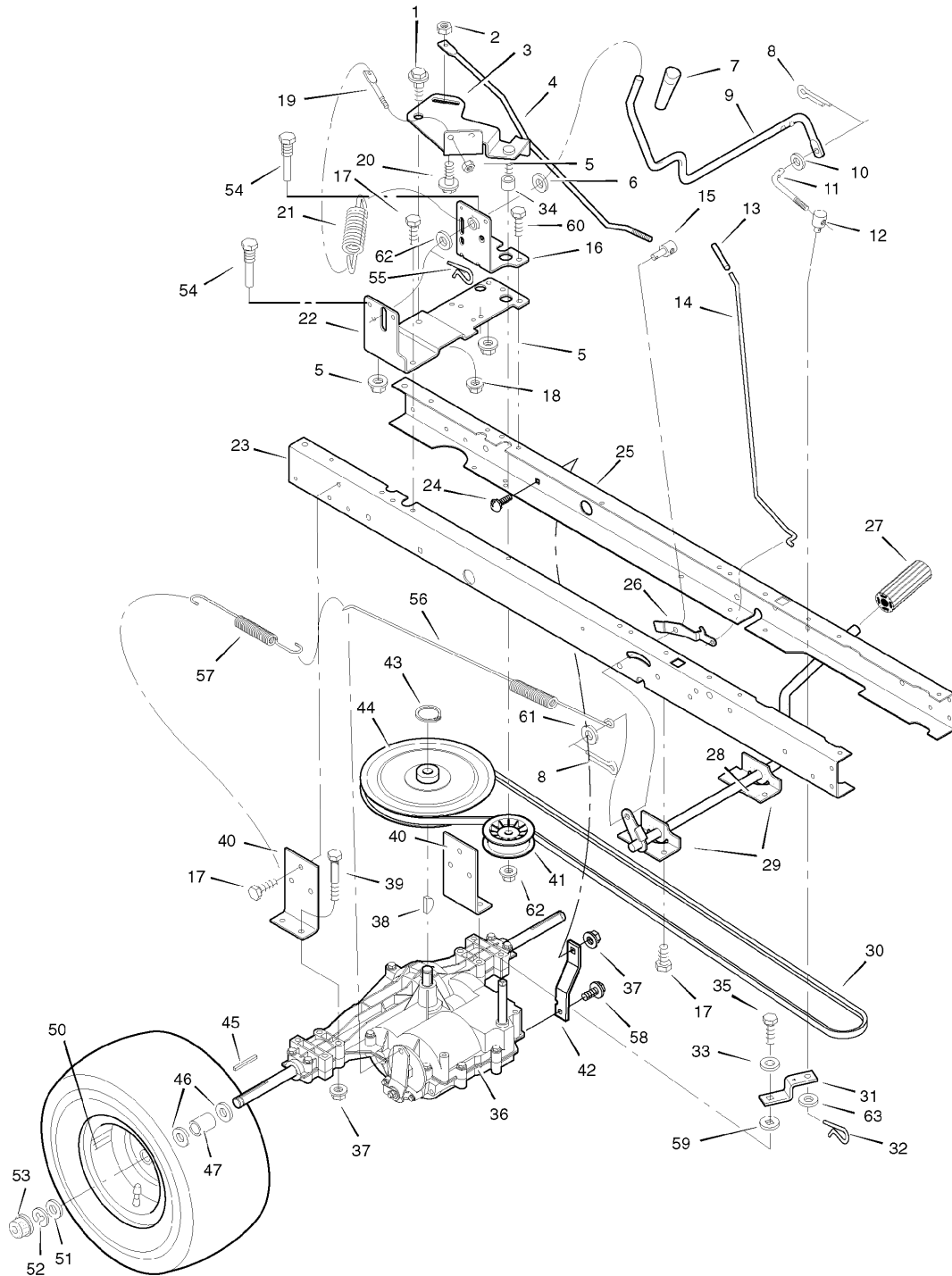
The above parts group applies to the following Mfg. Nos.:

385002x190A - 552544

Motion Drive

NOTE: Unless noted otherwise,
use the standard hardware torque
specification chart.

0005



The above parts group applies to the following Mfg. Nos.:
385002x190A - 552544

Motion Drive

REF NO	PART NO.	DESCRIPTION
44	095094MA	Pulley, Drive
45	021553MA	Key, Square
46	17X160MA	Washer
47	1401103ZMA	Spacer, Transaxle
50	092288601MA	Wheel & Tire Assembly
51	17X160MA	Washer
52	0011X3MA	E-Ring
53	094618MA	Hub Cap
54	094384MA	Guide, Belt
55	0031X4MA	Pin, Hair
56	165X115MA	Spring, Extension
57	165X92MA	Spring, Extension
58	26X216MA	Screw
59	17X148MA	Washer
60	26X267MA	Screw
61	17X169MA	Washer
62	17X165MA	Washer
63	017X53MA	Washer

Footnotes

Note * For Replacement Parts see the Transaxle manufacturer

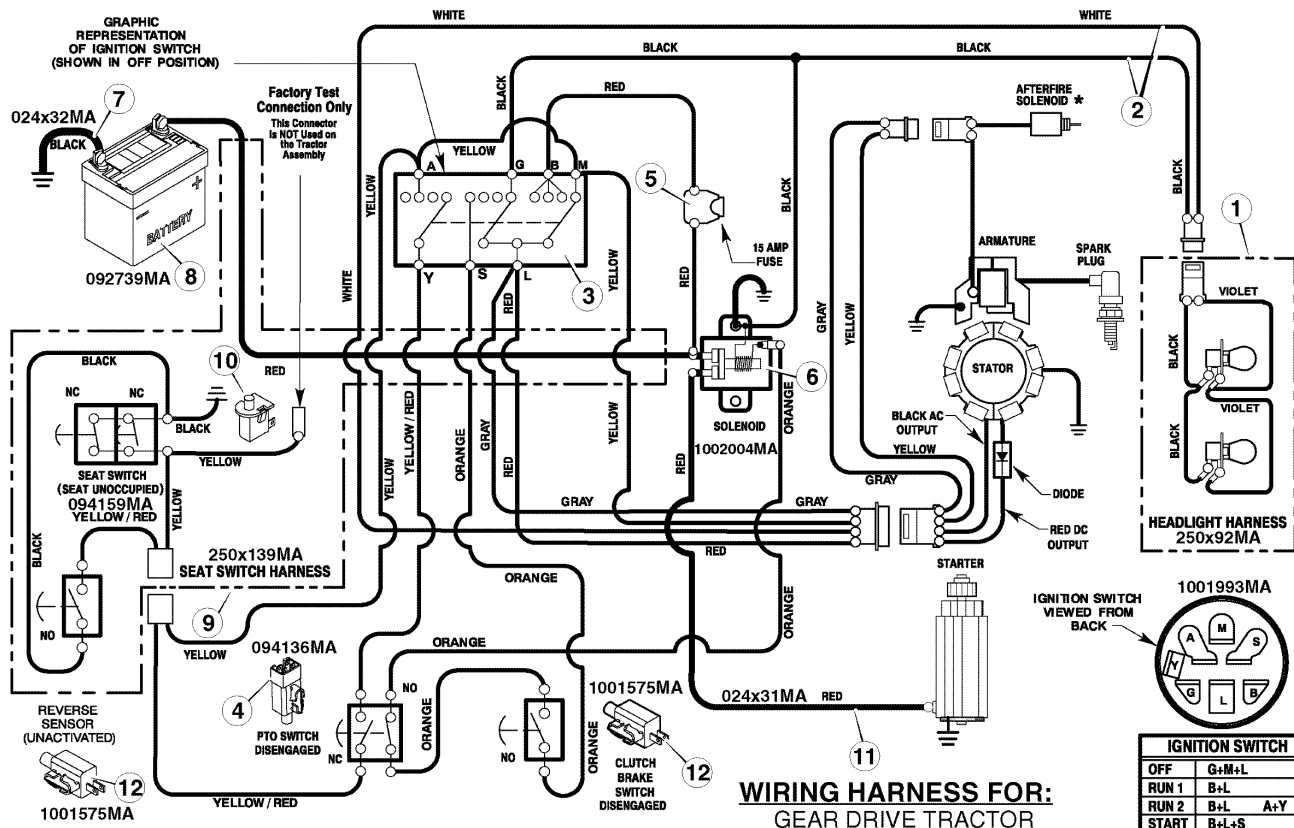
The above parts group applies to the following Mfg. Nos.:

385002x190A - 552544

Electrical System

0015

NOTE: Unless noted otherwise, use the standard hardware torque specification chart.



WIRING HARNESS FOR:
GEAR DRIVE TRACTOR
*AFTERFIRE SOLENOID OPTIONAL
MAIN HARNESS: 250x138MA
SEAT : 250X139MA LIGHT : 250X92MA

The above parts group applies to the following Mfg. Nos.:
385002x190A - 552544

Electrical System

REF NO	PART NO.	DESCRIPTION
1	250X92MA	Harness, Light Wire
--	1001716MA	Socket, Light
--	090084MA	Bulb, Light
2	250x138MA	Harness, Chassis Wire
3	1001993MA	Switch, Ignition
--	020729MA	Key, Ignition
--	091489MA	Nut, Hex
--	091488MA	Cap, Ignition
4	094136MA	Switch, PTO
5	302031MA	Fuse
--	407078MA	Holder, Fuse
6	1002004MA	Solenoid
--	26X229MA	Screw, Mounting
--	15X116MA	Locknut
7	024X32MA	Cable, Battery Ground
--	26X229MA	Screw, Ground Cable
8	092739MA	Battery
--	002X82MA	Bolt, Carriage
--	014X79MA	Wingnut
--	690604MA	Boot, Battery -Positive
9	250x139MA	Harness, Seat Switch Wire
10	094159MA	Switch, Seat Sensor
11	024X31MA	Cable
12	1001575MA	Switch, Limit

Footnotes

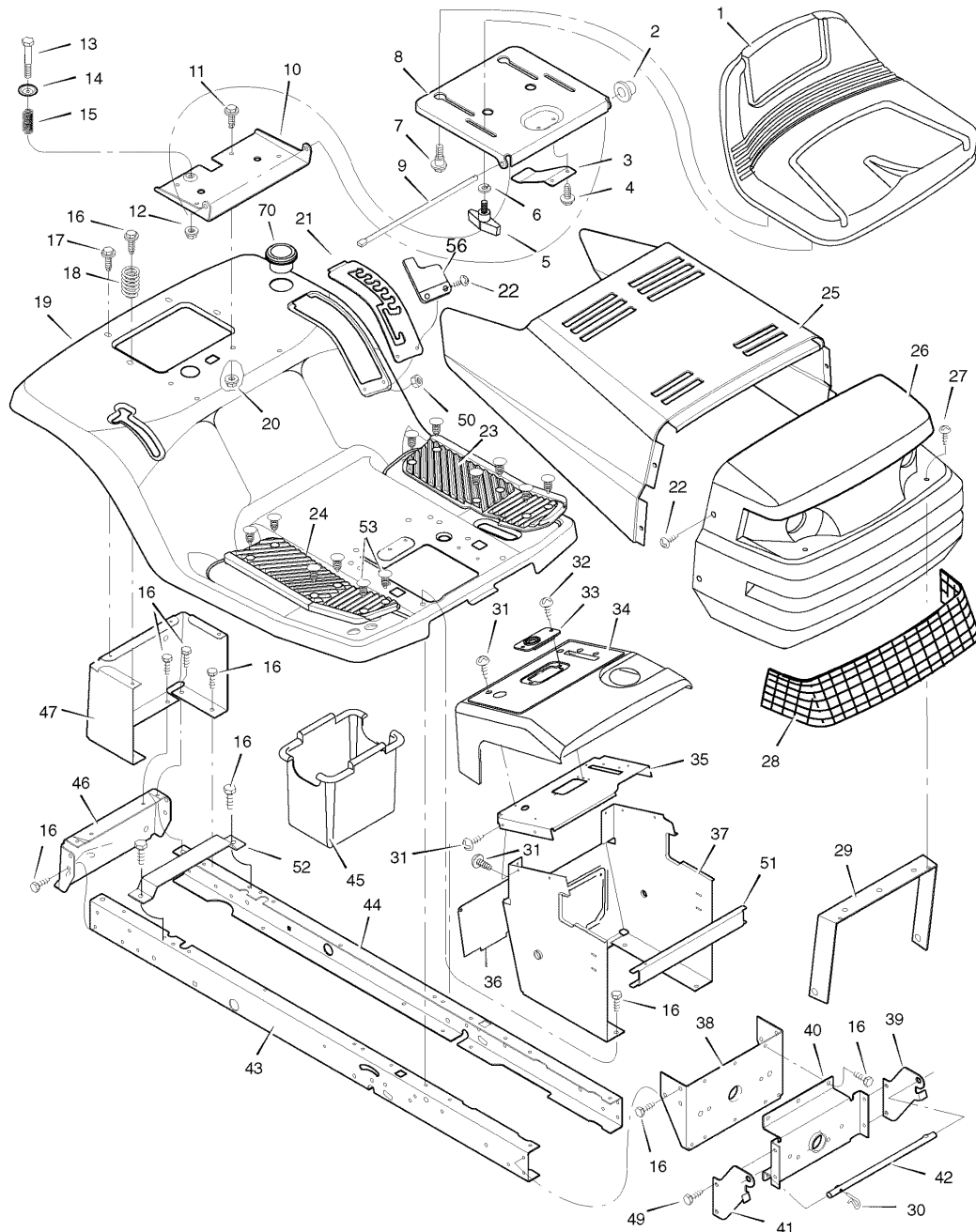
The above parts group applies to the following Mfg. Nos.:

385002x190A - 552544

Chassis & Hood

0003

NOTE: Unless noted otherwise,
use the standard hardware torque
specification chart.



The above parts group applies to the following Mfg. Nos.:
385002x190A - 552544

Chassis & Hood

REF NO	PART NO.	DESCRIPTION
1	690566MA	Seat
2	028X23MA	Cap, Push On
3	094057MA	Spring
4	26X229MA	Screw
5	1001054MA	Bolt, Wing
6	017x47MA	Washer
7	009X56MA	Bolt, Shoulder
8	094154E701MA	Support, Seat
9	094156ZMA	Rod, Pivot
10	1001648E701MA	Bracket, Pivot
11	001X45MA	Bolt
12	015X89MA	Nut
13	009X55MA	Bolt, Shoulder
14	094155ZMA	Washer
15	164X31MA	Spring
16	26X249MA	Screw
17	26X263MA	Screw
18	164X30MA	Spring
19	1001987E620MA	Deck, Seat
20	15X123MA	Nut
21	094151E701MA	Plate, Index
22	009X47MA	Screw
23	094999MA	Mat, Left
24	094998MA	Mat, Right
25	092333E620MA	Hood
26	092350MA	Grille
27	26x239MA	Screw
28	092344MA	Lens
29	093190MA	Brace, Grille
30	0031x4MA	Pin, Hair
31	26X270MA	Screw
32	26X238MA	Screw
33	094214MA	Bearing, Steering
34	094216E701MA	Dash
35	094211MA	Plate, Dash
36	093007E701MA	Panel, Access
37	095323E701MA	Support, Dash
38	1001270E701MA	Bracket, Rear Hanger
39	094085E701MA	Support, Left Grille
40	094007E701MA	Axle, Hanger
41	094084E701MA	Support, Right Grille
42	092332ZMA	Rod, Pivot
43	1001928E701MA	Frame, Right

Footnotes

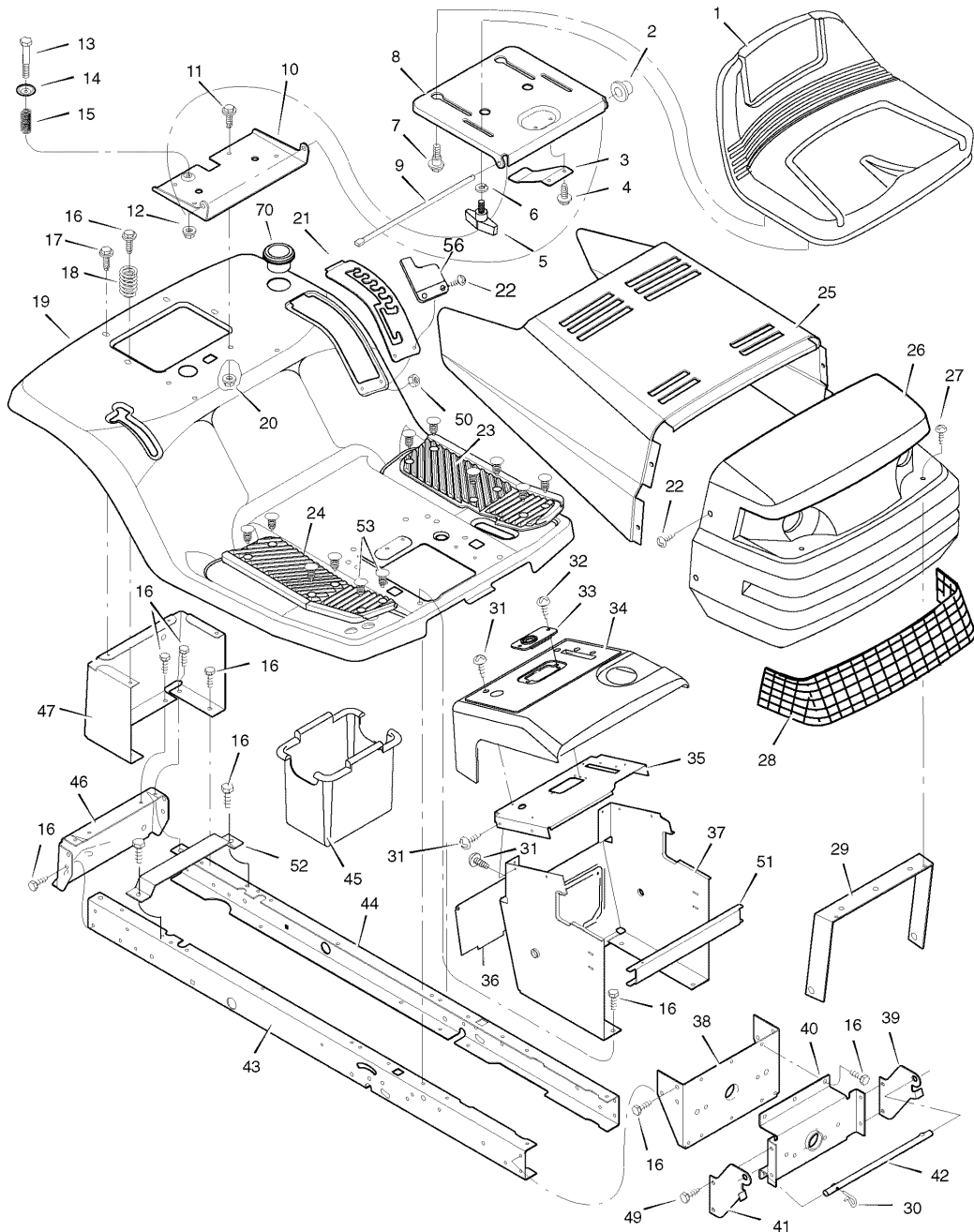
The above parts group applies to the following Mfg. Nos.:

385002x190A - 552544

Chassis & Hood

0003

**NOTE: Unless noted otherwise,
use the standard hardware torque
specification chart.**



The above parts group applies to the following Mfg. Nos.:
385002x190A - 552544

Chassis & Hood

REF NO	PART NO.	DESCRIPTION
44	1001927E701MA	Frame, Left
45	690424MA	Container, Battery
46	1001002E701MA	Plate, Hitch
47	690434E701MA	Panel, Rear
52	690482E701MA	Support, Battery
49	26X277MA	Screw
50	015X81MA	Nut
51	094215E701MA	Channel
56	094610MA	Cover, Lift Detent
70	1001542MA	Holder, Cup
--	1740336	Instruction Book
--	1740360	Manual, Replacement Parts

Footnotes

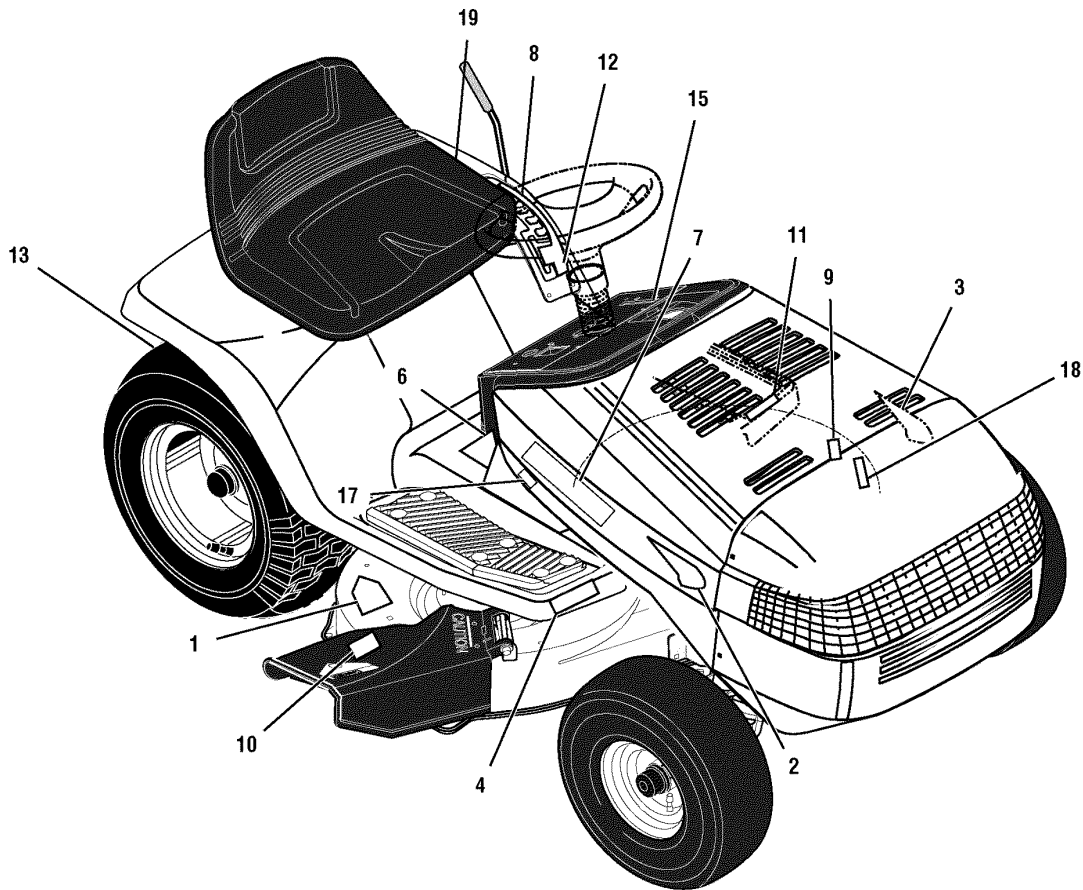
The above parts group applies to the following Mfg. Nos.:

385002x190A - 552544

Decals

NOTE: Unless noted otherwise,
use the standard hardware torque
specification chart.

0017



The above parts group applies to the following Mfg. Nos.:
385002x190A - 552544

Decals

REF NO	PART NO.	DESCRIPTION
1	48X5707MA	DECAL, CUT FINGER ENGLISH
2	1740408MA	DECAL, MASPORT 12.5/38 RH
3	1740409MA	DECAL, MASPORT 12.5/38 LH
4	48X5451MA	DECAL, 5 SPEED
6	44X7325MA	DECAL, WARNING
7	1740406MA	DECAL, MASPORT LOGO
8	44X6546MA	DECAL, 1/6 HGT ADJ-LIFT
9	48X5725MA	DECAL, NO STEP-LH HSNB
10	48X5710MA	DECAL, NO STEP-CHUTE
11	44X6554MA	DECAL, CLUTCH/BRAKE SILVER
12	48X5214MA	DECAL, DECK LEVEL POS/ONLY
13	48X511MA	DECAL, WARNING LOAD LMT
15	48X5771MA	DECAL, DASH SYMBOLS 3510
17	44X7535MA	DECAL, V2-SS-1X3 CUTTING HEIGHT
18	48X630MA	DECAL, 3 WAY
19	48X5713MA	DECAL, ENGAGE PTO

Footnotes

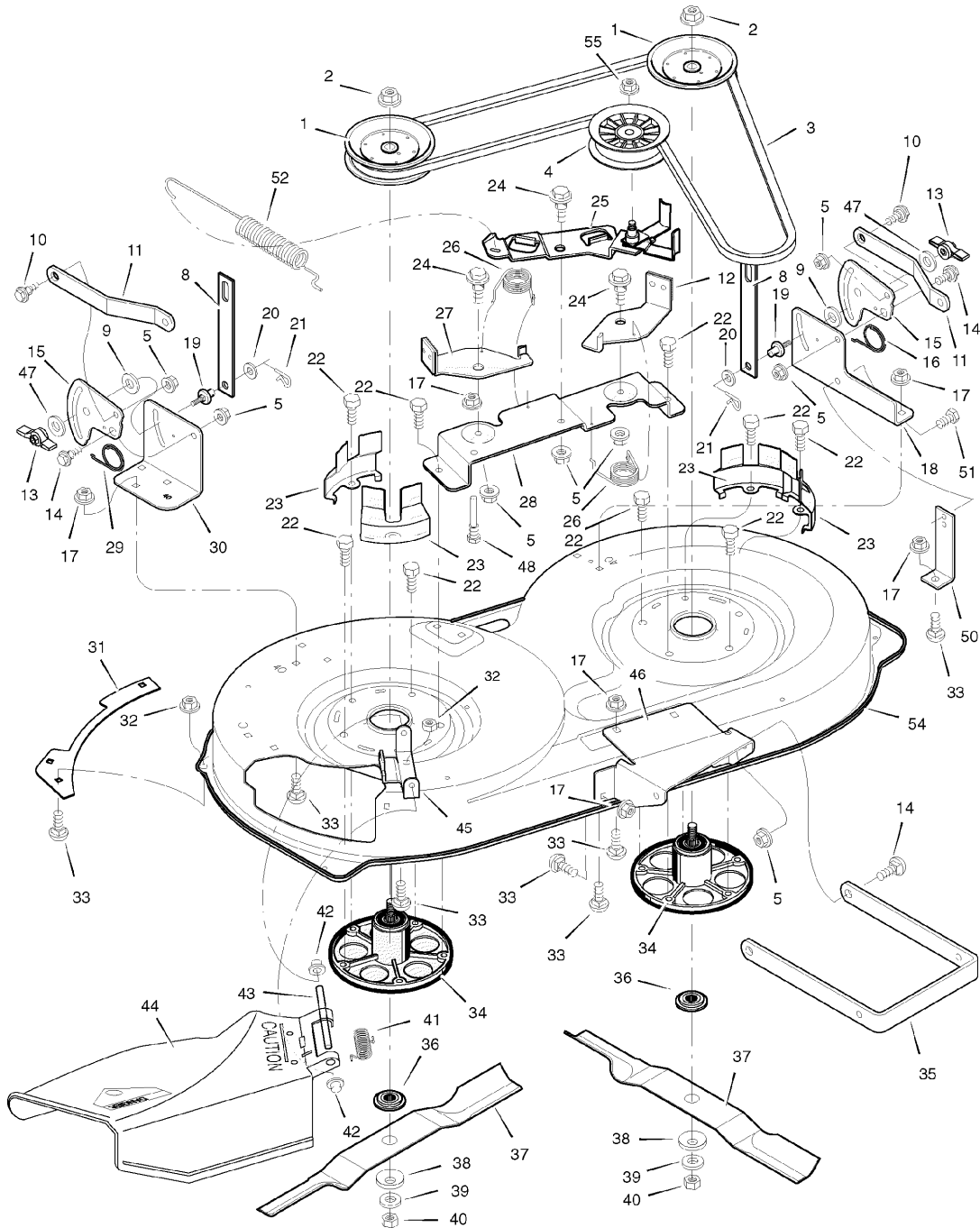
The above parts group applies to the following Mfg. Nos.:

385002x190A - 552544

Mower Housing

0011

**NOTE: Unless noted otherwise,
use the standard hardware torque
specification chart.**



The above parts group applies to the following Mfg. Nos.:
385002x190A - 552544

Mower Housing

REF NO	PART NO.	DESCRIPTION
1	092852MA	Pulley, Jackshaft
2	15X140MA	Nut, Hex
3	037X86MA	Belt, Mower Drive
4	091801MA	Pulley, Idler
5	015X84MA	Nut, Flange
8	690212E701MA	Link, Lift
9	094137MA	Pad, Friction
10	009X52MA	Bolt, Shoulder
11	094055E701MA	Bracket, Suspension
12	094049E701MA	Pad Assembly, Left Brake
13	094068MA	Knob
14	009X51MA	Bolt, Shoulder
15	094128E701MA	Plate, Suspension
16	166X43MA	Spring
17	015X79MA	Nut, Flange
18	094054E701MA	Bracket, Left Suspension
19	095194MA	Pin, Hanger
20	017X91MA	Washer
21	0031X4MA	Pin, Cotter
22	0025X7MA	Bolt
23	094051E701MA	Cover, Pulley
24	009X39MA	Bolt, Shoulder
25	1001499MA	Arm, Idler
26	166X41MA	Spring
27	094047E701MA	Pad Assembly, Right Brake
28	094059E701MA	Bracket Assembly, Brake
29	166X42MA	Spring
30	094052E701MA	Bracket, Right Suspension
31	091770E701MA	Plate
32	015X88MA	Nut, Flange
33	002X53MA	Bolt, Carriage
34	1001200MA	Mandrell
35	690539E701MA	Bracket, Suspension
36	690411MA	Adapter, Blade
37	095104E701MA	Blade
38	17X166MA	Washer
39	17X165MA	Washer
40	15X100MA	Nut
41	0166X4MA	Spring
42	028X23MA	Cap, Push On
43	094957ZMA	Rod, Pivot
44	094707MA	Deflector Assembly
45	094956E701MA	Bracket, Deflector

Footnotes

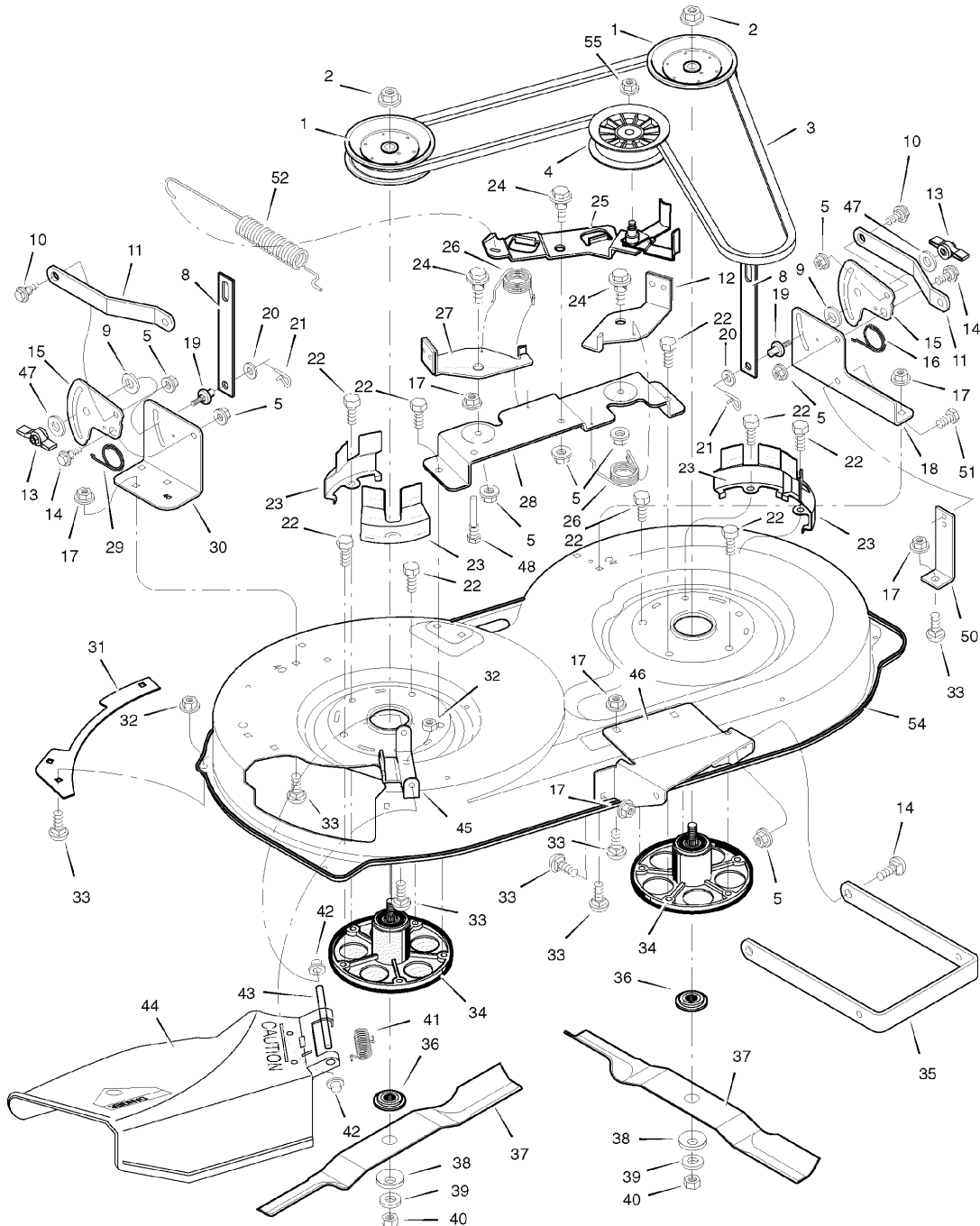
The above parts group applies to the following Mfg. Nos.:

385002x190A - 552544

Mower Housing

0011

NOTE: Unless noted otherwise,
use the standard hardware torque
specification chart.



The above parts group applies to the following Mfg. Nos.:
385002x190A - 552544

Mower Housing

REF NO	PART NO.	DESCRIPTION
46	094062E701MA	Bracket, Front Hanger
47	017X45MA	Washer
48	094781MA	Guide, Belt
50	094681E701MA	Bracket, Support
51	26X249MA	Screw
52	165X118MA	Spring, Extension
54	094060E701MA	Housing - Export Blade (Includes Ref. No. 17, 18, 30, 31, 32, 33, 45, 46, 47 & 51)
55	015X98MA	Nut, Flange

Footnotes

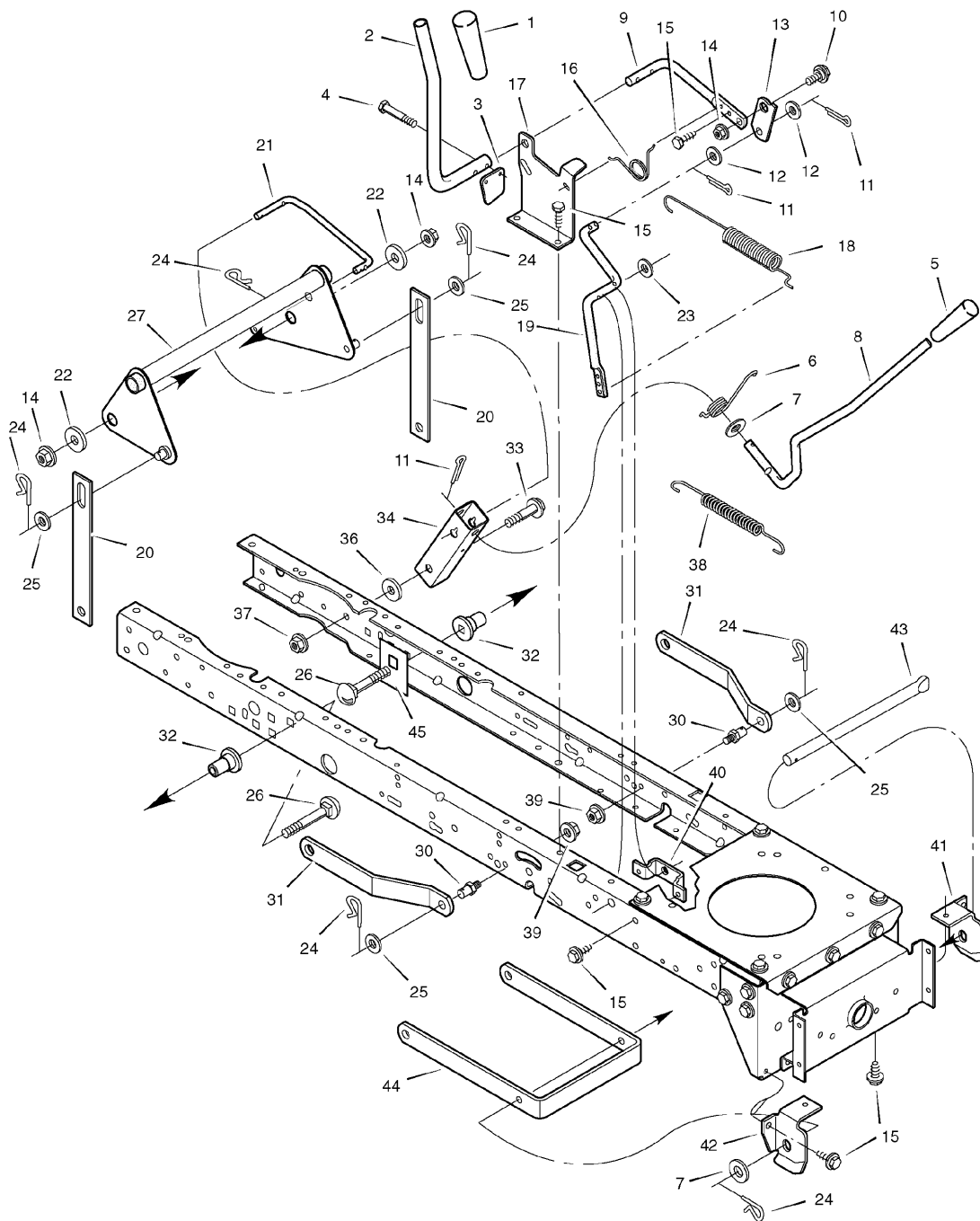
The above parts group applies to the following Mfg. Nos.:

385002x190A - 552544

Mower Housing Suspension

0009

NOTE: Unless noted otherwise,
use the standard hardware torque
specification chart.



The above parts group applies to the following Mfg. Nos.:
385002x190A - 552544

Mower Housing Suspension

REF NO	PART NO.	DESCRIPTION
1	092698MA	Grip
2	094346ZMA	Handle, PTO
3	094022ZMA	Pad, Switch
4	0025X3MA	Bolt
5	092697MA	Grip
6	166X40MA	Spring
7	17X103MA	Washer
8	690533MA	Handle, Lift
9	094017ZMA	Lever, PTO
10	009X39MA	Bolt, Shoulder
11	030X20MA	Pin, Cotter
12	017X57MA	Washer
13	094004ZMA	Link, PTO
14	015X84MA	Nut, Flange
15	26X249MA	Screw
16	166X39MA	Spring
17	094018E701MA	Bracket, PTO
18	165X118MA	Spring, PTO
19	690394E701MA	Crank, PTO
20	690212E701MA	Link, Lift
21	690122ZMA	Link, Lift Handle
22	17X168ZMA	Washer
23	017X57MA	Washer
24	0031X4MA	Pin, Hair
25	017X91MA	Washer
26	002X85MA	Bolt, Carriage
27	1001111E701MA	Lever Assembly, Lift
30	094067MA	Pin
31	094055E701MA	Bracket, Rear Suspension
32	690151MA	Spacer, Lifter
33	009X53MA	Bolt, Shoulder
34	094015E701MA	Bracket, Pivot
36	17X191MA	Washer
37	015X84MA	Nut, Flange
38	165X131MA	Spring
39	015X68MA	Nut, Flange
40	094005E701MA	Bracket, PTO
41	094027E701MA	Hanger, Left Deck
42	094026E701MA	Hanger, Right Deck
43	094158ZMA	Rod, Hanger
44	690539E701MA	Bracket, Suspension
45	1001098E701MA	Plate, Stiffening

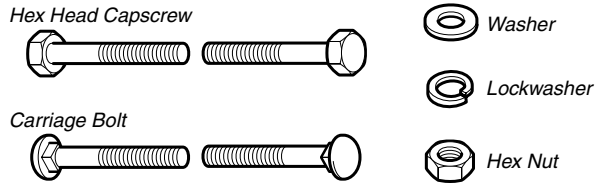
Footnotes

The above parts group applies to the following Mfg. Nos.:

385002x190A - 552544

Hardware Identification & Torque Specifications

Common Hardware Types

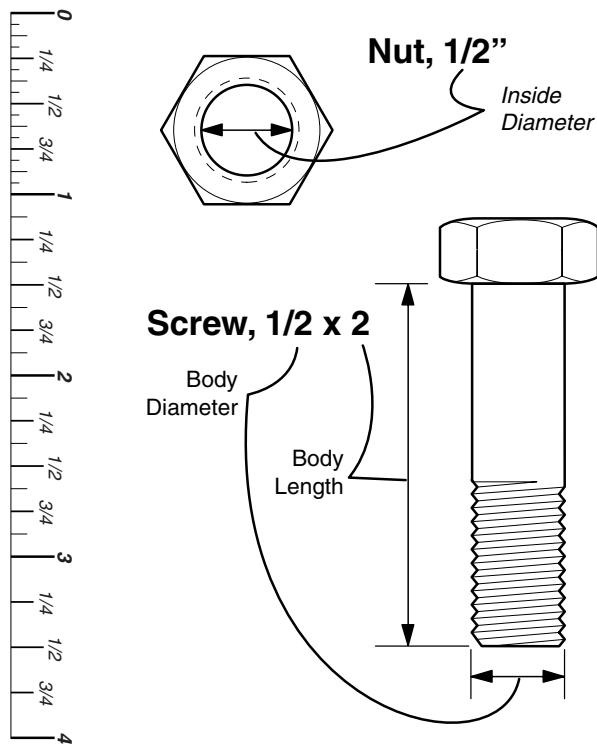


Standard Hardware Sizing

When a washer or nut is identified as 1/2", this is the *Nominal size*, meaning the *inside diameter* is 1/2 inch; if a second number is present it represents the *threads per inch*

When bolt or capscrew is identified as 1/2 - 16 x 2", this means the *Nominal size*, or *body diameter* is 1/2 inch; the second number represents the *threads per inch* (16 in this example, and the final number is the *body length* of the bolt or screw (in this example 2 inches long).

The guides and ruler furnished below are designed to help you select the appropriate hardware and tools.



Torque Specification Chart

FOR STANDARD MACHINE HARDWARE (Tolerance ± 20%)

Hardware Grade	No Marks SAE Grade 2		SAE Grade 5		SAE Grade 8	
	in/lbs ft/lbs	Nm.	in/lbs ft/lbs	Nm.	in/lbs ft/lbs	Nm.
8-32	19	2.1	30	3.4	41	4.6
8-36	20	2.3	31	3.5	43	4.9
10-24	27	3.1	43	4.9	60	6.8
10-32	31	3.5	49	5.5	68	7.7
1/4-20	66	7.6	8	10.9	12	16.3
1/4-28	76	8.6	10	13.6	14	19.0
5/16-18	11	15.0	17	23.1	25	34.0
5/16-24	12	16.3	19	25.8	27	34.0
3/8-16	20	27.2	30	40.8	45	61.2
3/8-24	23	31.3	35	47.6	50	68.0
7/16-14	30	40.8	50	68.0	70	95.2
7/16-20	35	47.6	55	74.8	80	108.8
1/2-13	50	68.0	75	102.0	110	149.6
1/2-20	55	74.8	90	122.4	120	163.2
9/16-12	65	88.4	110	149.6	150	204.0
9/16-18	75	102.0	120	163.2	170	231.2
5/8-11	90	122.4	150	204.0	220	299.2
5/8-18	100	136	180	244.8	240	326.4
3/4-10	160	217.6	260	353.6	386	525.0
3/4-16	180	244.8	300	408.0	420	571.2
7/8-9	140	190.4	400	544.0	600	816.0
7/8-14	155	210.8	440	598.4	660	897.6
1-8	220	299.2	580	788.8	900	1,244.0
1-12	240	326.4	640	870.4	1,000	1,360.0

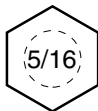
NOTES

- These torque values are to be used for all hardware excluding: locknuts, self-tapping screws, thread forming screws, sheet metal screws and socket head setscrews.
- Recommended seating torque values for locknuts:
 - for prevailing torque locknuts - use 65% of grade 5 torques.
 - for flange whizlock nuts and screws - use 135% of grade 5 torques.
- Unless otherwise noted on assembly drawings, all torque values must meet this specification.

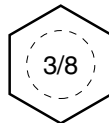
Wrench & Fastener Size Guide



1/4" Bolt or Nut
Wrench—7/16"



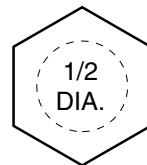
5/16" Bolt or Nut
Wrench—1/2"



3/8" Bolt or Nut
Wrench—9/16"



7/16" Bolt or Nut
Wrench (Bolt)—5/8"
Wrench (Nut)—11/16"



1/2" Bolt or Nut
Wrench—3/4"

