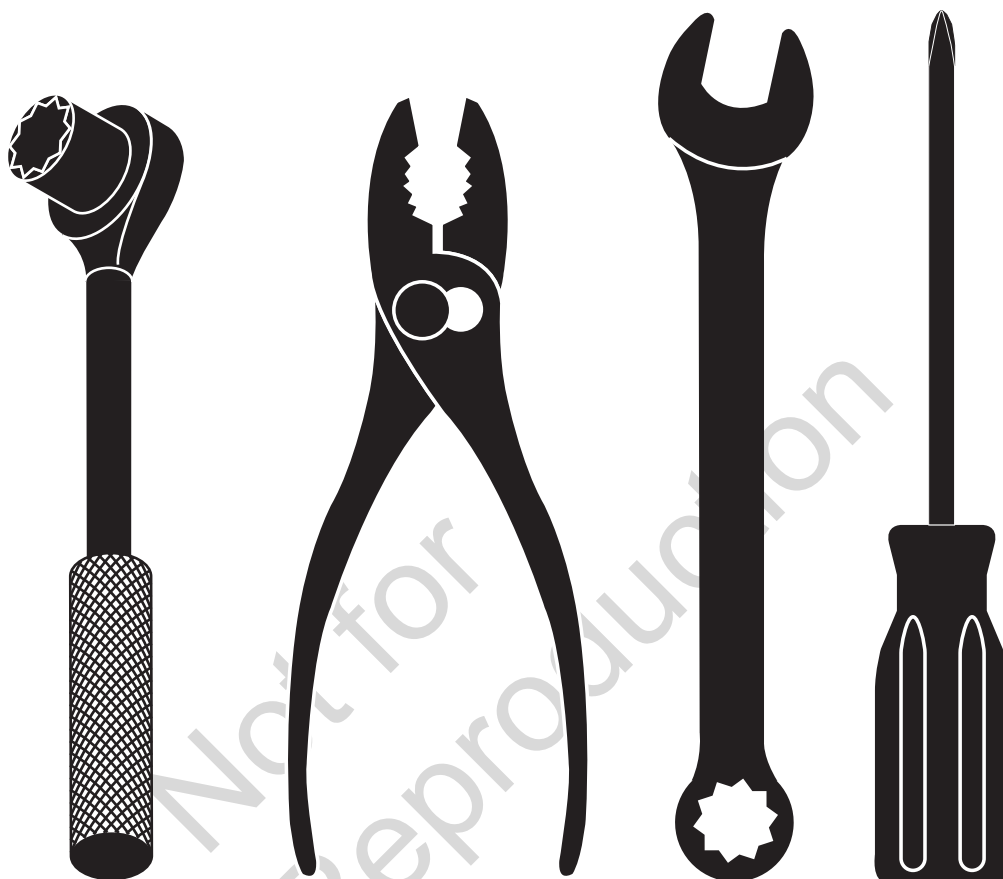


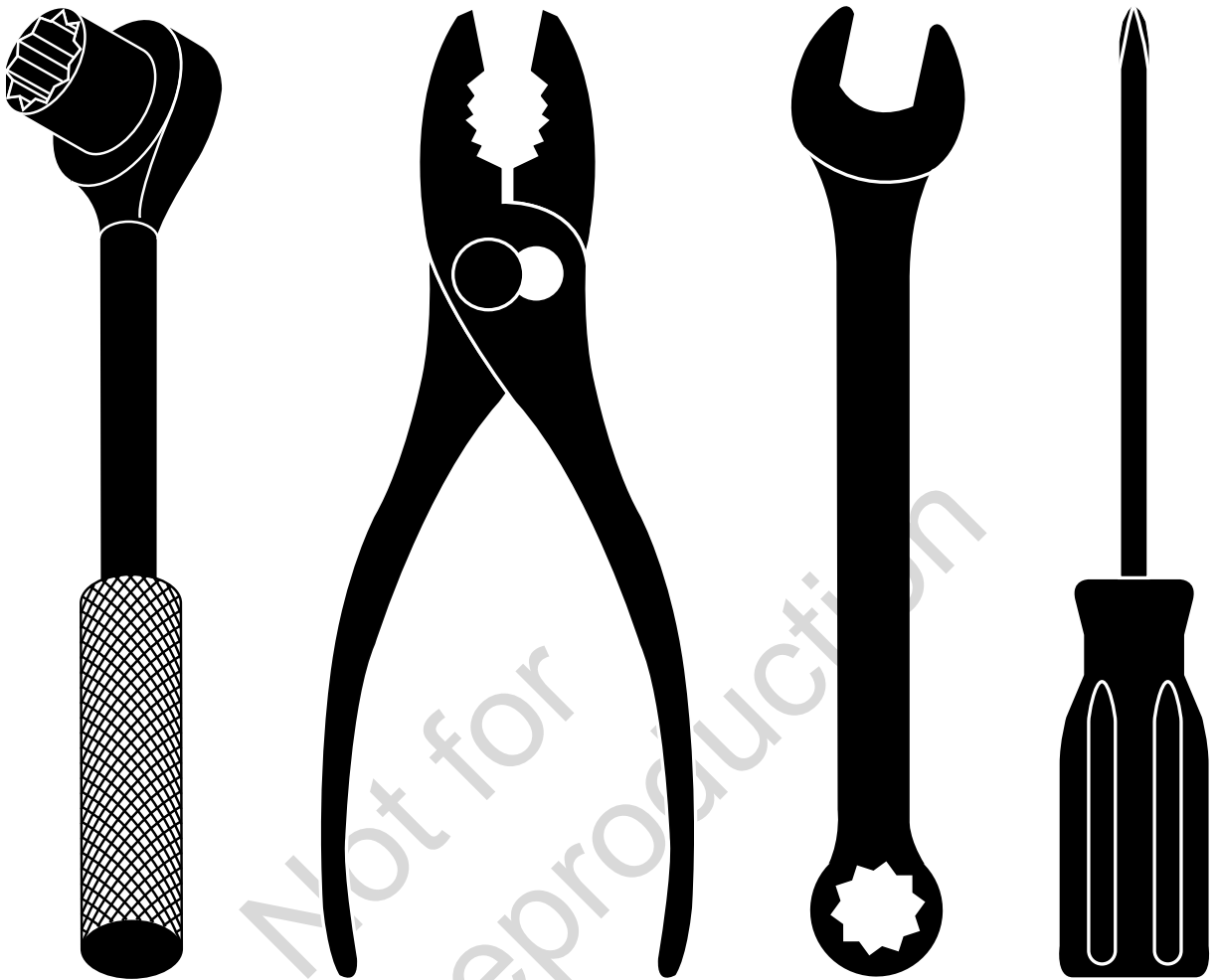
**This product is not serviced by Briggs & Stratton. For parts and service, please contact Husqvarna Outdoor Products (HOP) via [www.husqvarna.com](http://www.husqvarna.com). Or use our dealer locator at [www.murray.com](http://www.murray.com) to find your nearest dealer.**



---

**MURRAY**

Not for  
Reproduction

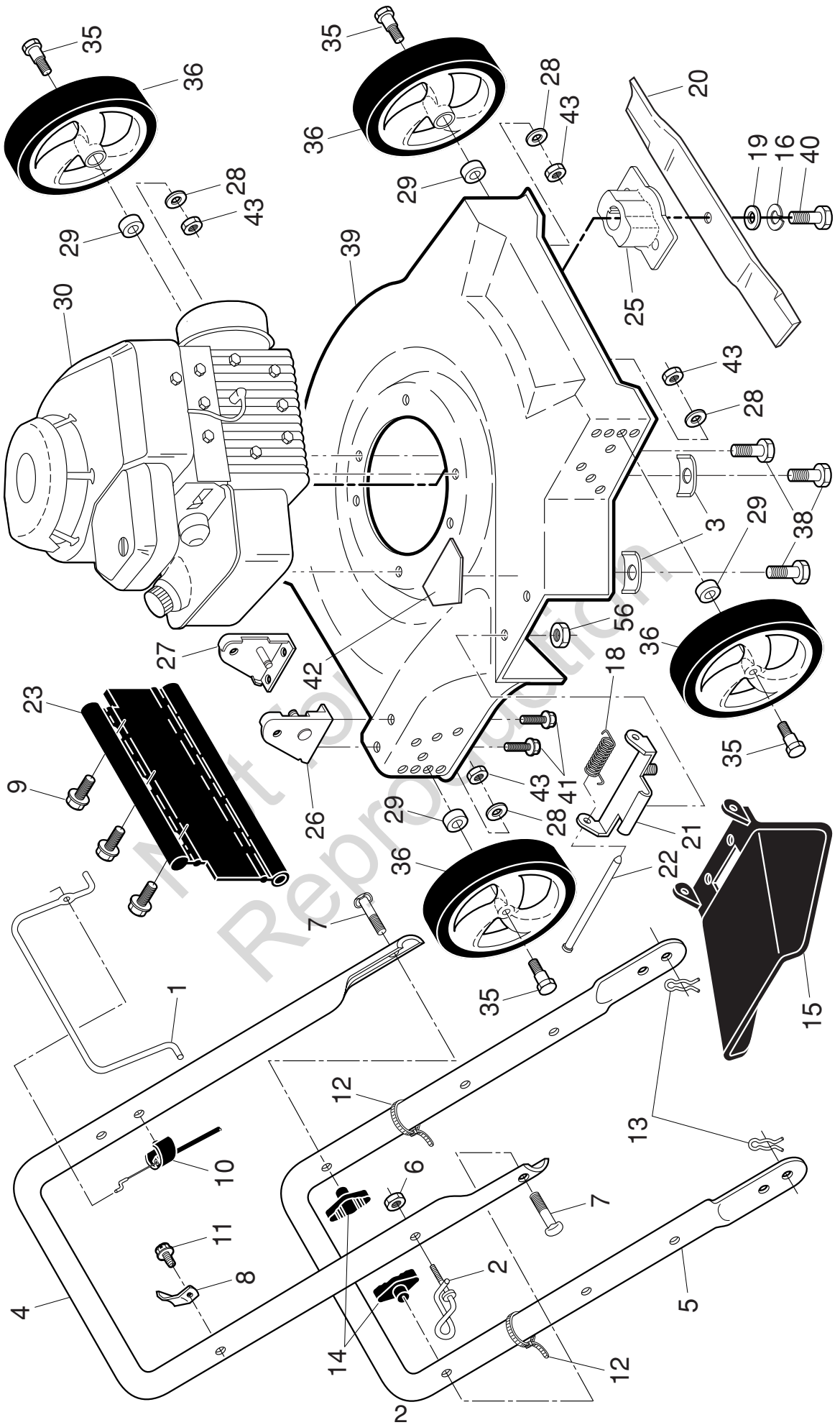


**REPAIR PARTS MANUAL**  
**MODEL NO. M20300**  
**MFG. I.D. NO. 96114002400**  
**Rotary Lawn Mower**

For Parts and Service or Technical Assistance, call 1-800-849-1297

**NOTE:** Gasoline containing up to 10% ethanol (E10) is acceptable for use in this machine. The use of any gasoline exceeding 10% ethanol (E10) will void the product warranty.

**MURRAY ROTARY LAWN MOWER - MODEL NO. M20300 (MFG. I.D. NO. 96114002400)**



# MURRAY ROTARY LAWN MOWER - MODEL NO. M20300 (MFG. I.D. NO. 96114002400)

KEY NO.	PART NO.	DESCRIPTION	KEY NO.	PART NO.	DESCRIPTION
1	194176X428	Control Bar	23	189239	Rear Skirt
2	194788	Rope Guide	25	850977	Blade Adapter
3	851201X004	Engine Washer	26	170345X479	Handle Bracket Assembly, RH
4	194180X479	Upper Handle	27	170346X479	Handle Bracket Assembly, LH
5	151590X479	Lower Handle	28	61537	Washer
6	132004	Nut, Hex 1/4-20	29	136624	Spacer
7	191574	Bolt, Carriage	30	---	Engine, Briggs & Stratton, Model No. 9L602-1611-F1 (For engine service and replacement parts, call Briggs & Stratton at 1-800-233-3723)
8	429930X004	Up-Stop Bracket			
9	189241	Screw, Hex Washer Head, Self-Tapping #10-24 x 1/2	35	67609	Bolt, Shoulder 3/8-16 x 2-1/2
10	162778	Cable, Engine Zone Control	36	193850X460	Wheel & Tire Assembly
11	178848	Screw, Threaded, Rolled #10-16 x 5/8	38	150406	Screw, Hex Head, Threaded, Rolled 3/8-16 x 1
12	66426	Wire Tie	39	418876	Housing Kit
13	51793	Hairpin, Cotter	40	851084	Screw, Hex Head, Machine, Grade 8, 3/8-24 x 1-3/8
14	<b>189713X428</b>	Knob, Handle	41	149741	Screw
15	428278X428	Discharge Guard	42	404763	Danger Decal
16	850263	Helical Lock Washer	43	73930600	Nut, Hex, Nylock 3/8-16
18	411832	Spring, Hinge	56	73800400	Locknut, Hex 1/4-20
19	851074	Washer, Hardened	--	404764	Decal, Warning
20	145106	Blade, 20"	--	193747	Operator's Manual, English
21	88602	Bracket, Hinge	--	193750	Operator's Manual, Spanish
22	150215	Rod, Hinge	--	446477	Replacement Parts Manual, English

**NOTE:** All component dimensions given in U.S. inches. 1 inch = 25.4 mm.

**IMPORTANT:** Use only Original Equipment Manufacturer (O.E.M.) replacement parts. Failure to do so could be hazardous, damage your lawn mower and void your warranty.



## LIMITED WARRANTY

The Manufacturer warrants to the original consumer purchaser that this product as manufactured is free from defects in materials and workmanship. For a period of two (2) years from date of purchase by the original consumer purchaser, we will repair or replace, at our option, without charge for parts or labor incurred in replacing parts, any part which we find to be defective due to materials or workmanship. This Warranty is subject to the following limitations and exclusions.

1. This warranty does not apply to the engine, transaxle/transmission components, battery (except as noted below) or components parts thereof. Please refer to the applicable manufacturer's warranty on these items.
2. Transportation charges for the movement of any power equipment unit or attachment are the responsibility of the purchaser. Transportation charges for any parts submitted for replacement under this warranty must be paid by the purchaser unless such return is requested by the manufacturer.
3. Battery Warranty: On products equipped with a Battery, we will replace, without charge to you, any battery which we find to be defective in manufacture, during the first ninety (90) days of ownership. After ninety (90) days, we will exchange the Battery, charging you 1/12 of the price of a new Battery for each full month from the date of the original sale. Battery must be maintained in accordance with the instructions furnished.
4. The Warranty period for any products used for rental or commercial purposes is limited to 45 days from the date of original purchase.
5. This Warranty applies only to products which have been properly assembled, adjusted, operated, and maintained in accordance with the instructions furnished. This Warranty does not apply to any product which has been subjected to alteration, misuse, abuse, improper assembly or installation, delivery damage, or to normal wear of the product.
6. Exclusions: Excluded from this Warranty are belts, blades, blade adapters, normal wear, normal adjustments, standard hardware and normal maintenance.
7. In the event you have a claim under this Warranty, you must return the product to an authorized service dealer.

Should you have any unanswered questions concerning this Warranty, contact:

Briggs and Stratton Canada  
Customer Service  
1195 Courtneypark Dr. East  
Mississauga, Ontario  
L5T-1R1

Or, Call Toll Free:  
**1-800-849-1297**  
8:30 am – 5 pm ET, Mon–Fri  
and ask for Customer Service

giving the model number, serial number and date of purchase of your product and the name and address of the authorized dealer from whom it was purchased.

**THIS WARRANTY DOES NOT APPLY TO INCIDENTAL OR CONSEQUENTIAL DAMAGES AND ANY IMPLIED WARRANTIES ARE LIMITED TO THE SAME TIME PERIODS STATED HEREIN FOR OUR EXPRESSED WARRANTIES.** Some areas do not allow the limitation of consequential damages or limitations of how long an implied Warranty may last, so the above limitations or exclusions may not apply to you. This Warranty gives you specific legal rights, and you may have other rights which vary from locale to locale.

This is a limited Warranty within the meaning of that term as defined in the Magnuson-Moss Act of 1975.