

Allmand™

Brighter. Warmer. Safer.

Portable
Industrial
Heaters

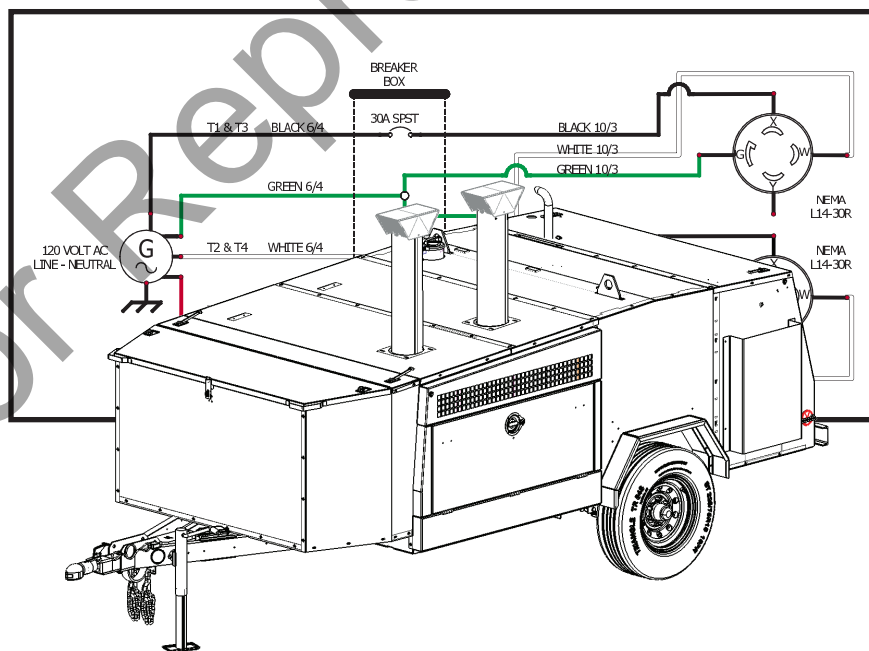
Portable
Light Towers

Portable
Light Stands

Solar Flashing
Arrow Boards



en Wire Schematic Manual
MAXI-HEAT® MH500iQ™



Copyright © 2016 Allmand Bros., Inc.
Holdrege, NE, USA. All rights reserved.

Part No.: 108808
Revision: A

LIGHT TOWER APP



Reliability, Performance, and Integrity Since 1938

www.allmand.com

TABLE OF CONTENTS

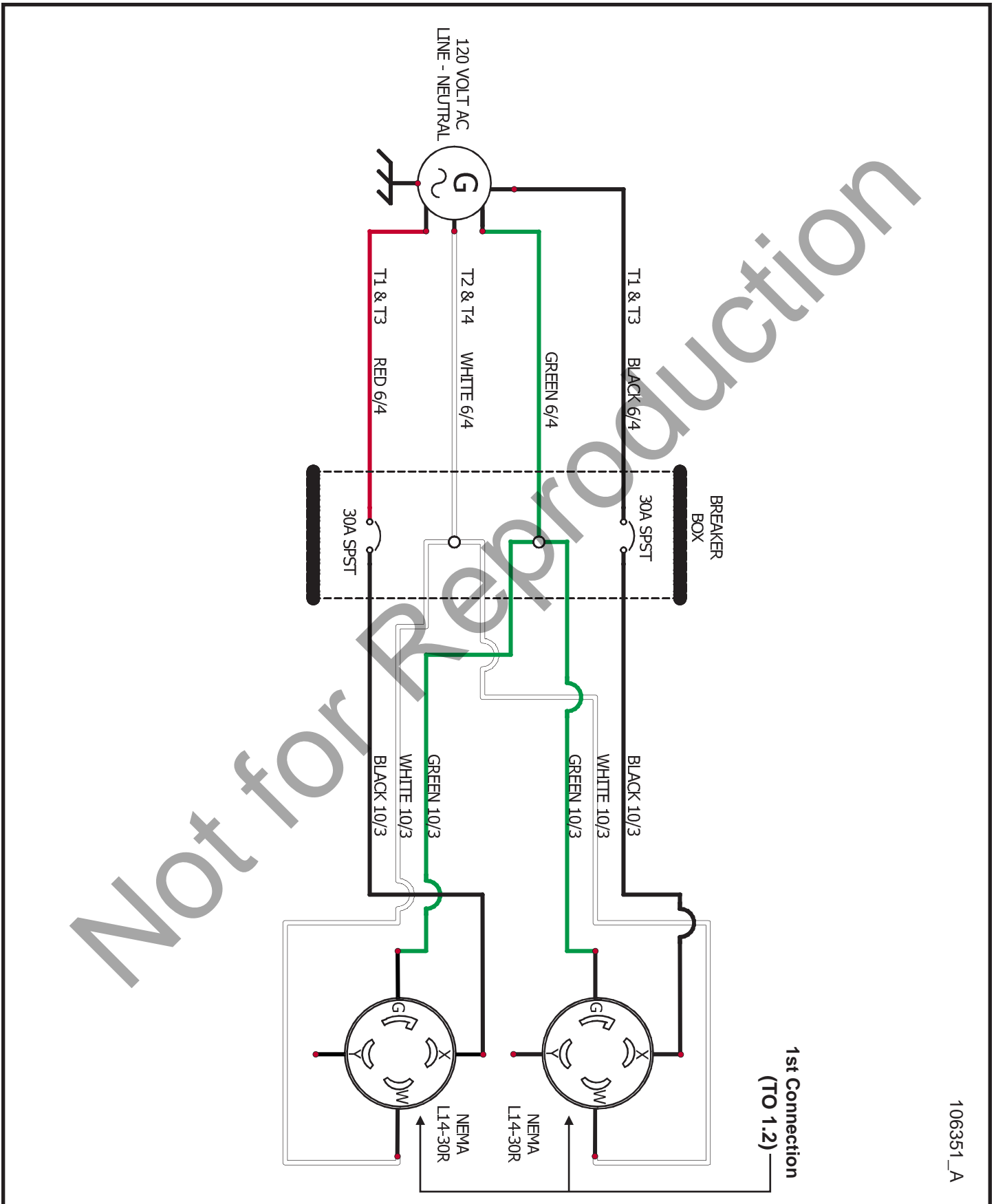
Generator to Plug-In Wire Schematic	(1.1)
Plug-In Enclosure Wire Schematic	(1.2)
12V Work Lights Wire Schematic	(1.3)
CAT C1.5 Wire Schematic	(1.4)
Isuzu 3CE1 Wire Schematic	(1.5)
Fuel Level Senders Poly Tank Wire Schematic	(1.6)
Fuel Level Sender Steel Tank Wire Schematic	(1.7)
GPS ZTR System Wire Schematic	(1.8)
Shocker Valve Harness Wire Schematic	(1.9)
Tail Light Harness Wire Schematic	(1.10)
License Plate Lamp Wire Schematic	(1.11)

Not for Reproduction

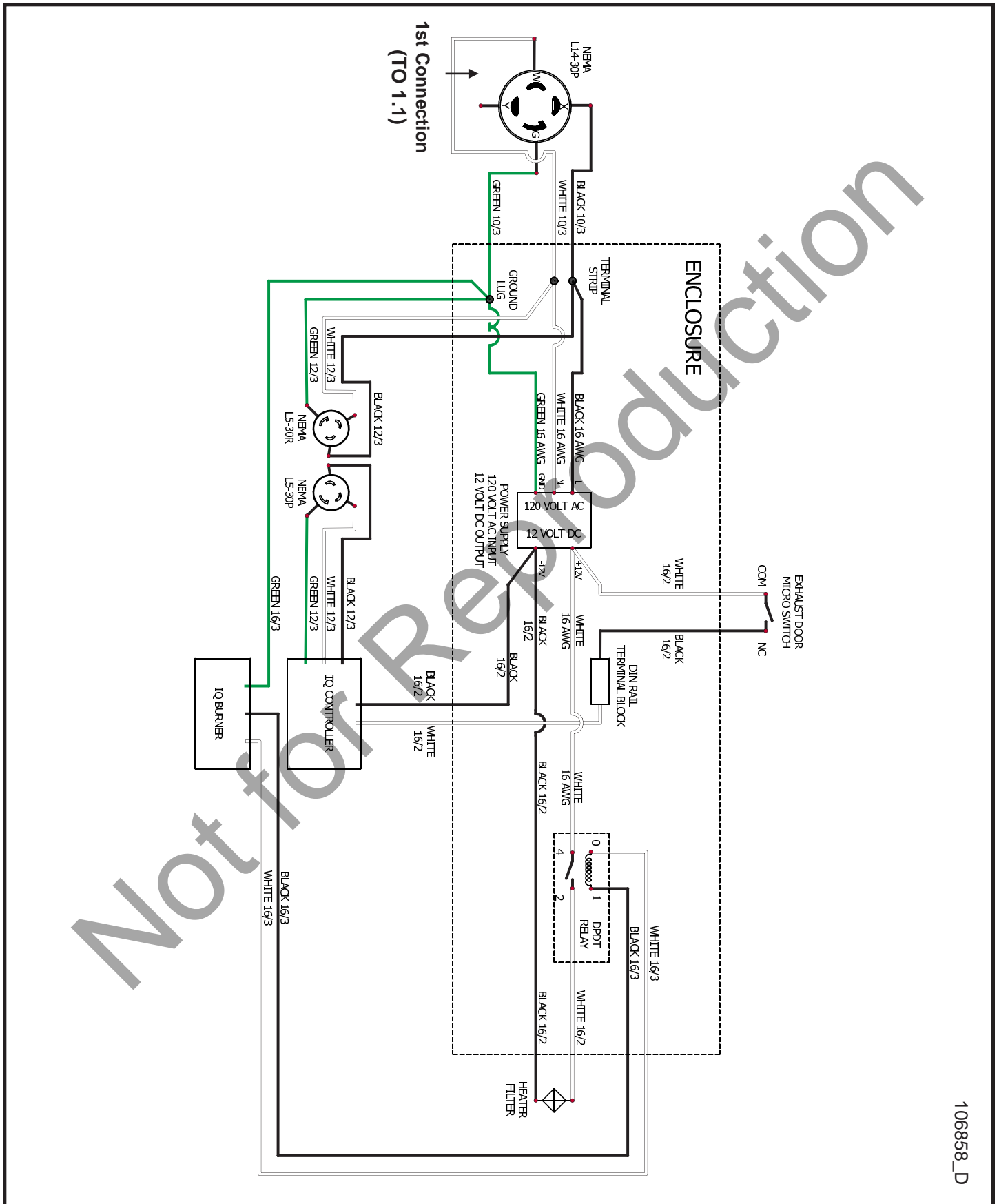
WIRE SCHEMATIC PAGE CONNECTION TABLE

Schematic Page	1st Connection Page(s)	2nd Connection Page(s)	3rd Connection Page(s)	4th Connection Page(s)
Generator to Plug-In Wire Schematic (1.1)	1.2	n/a	n/a	n/a
Plug-In Enclosure Wire Schematic (1.2)	1.1	n/a	n/a	n/a
12V Work Lights Wire Schematic (1.3)	1.4 or 1.5	n/a	n/a	n/a
CAT C1.5 Wire Schematic (1.4)	1.3	1.6, 1.7, or 1.9	1.8	n/a
Isuzu 3CE1 Wire Schematic (1.5)	1.3	1.6, 1.7, or 1.9	1.8	n/a
Fuel Level Senders Poly Tank Wire Schematic (1.6)	1.4 or 1.5	n/a	n/a	n/a
Fuel Level Sender Steel Tank Wire Schematic (1.7)	1.4 or 1.5	n/a	n/a	n/a
GPS ZTR System Wire Schematic (1.8)	1.4 or 1.5	n/a	n/a	n/a
Shocker Valve Harness Wire Schematic (1.9)	1.4 or 1.5	n/a	n/a	n/a
Tail Light Harness Wire Schematic (1.10)	1.11	n/a	n/a	n/a
License Plate Lamp Wire Schematic (1.11)	1.10	n/a	n/a	n/a

1.1 - Generator to Plug-In Wire Schematic

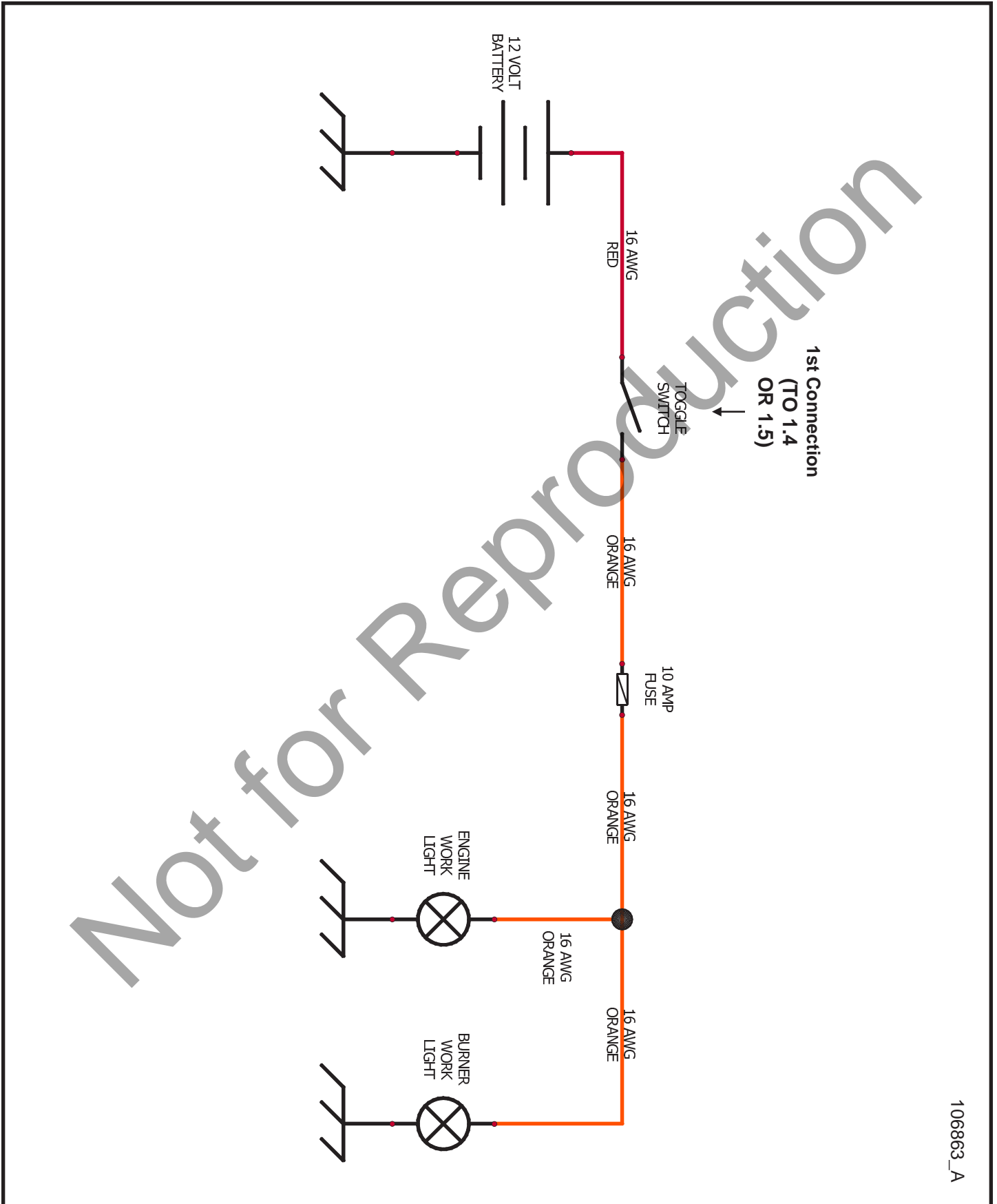


1.2 - Plug-In Enclosure Wire Schematic



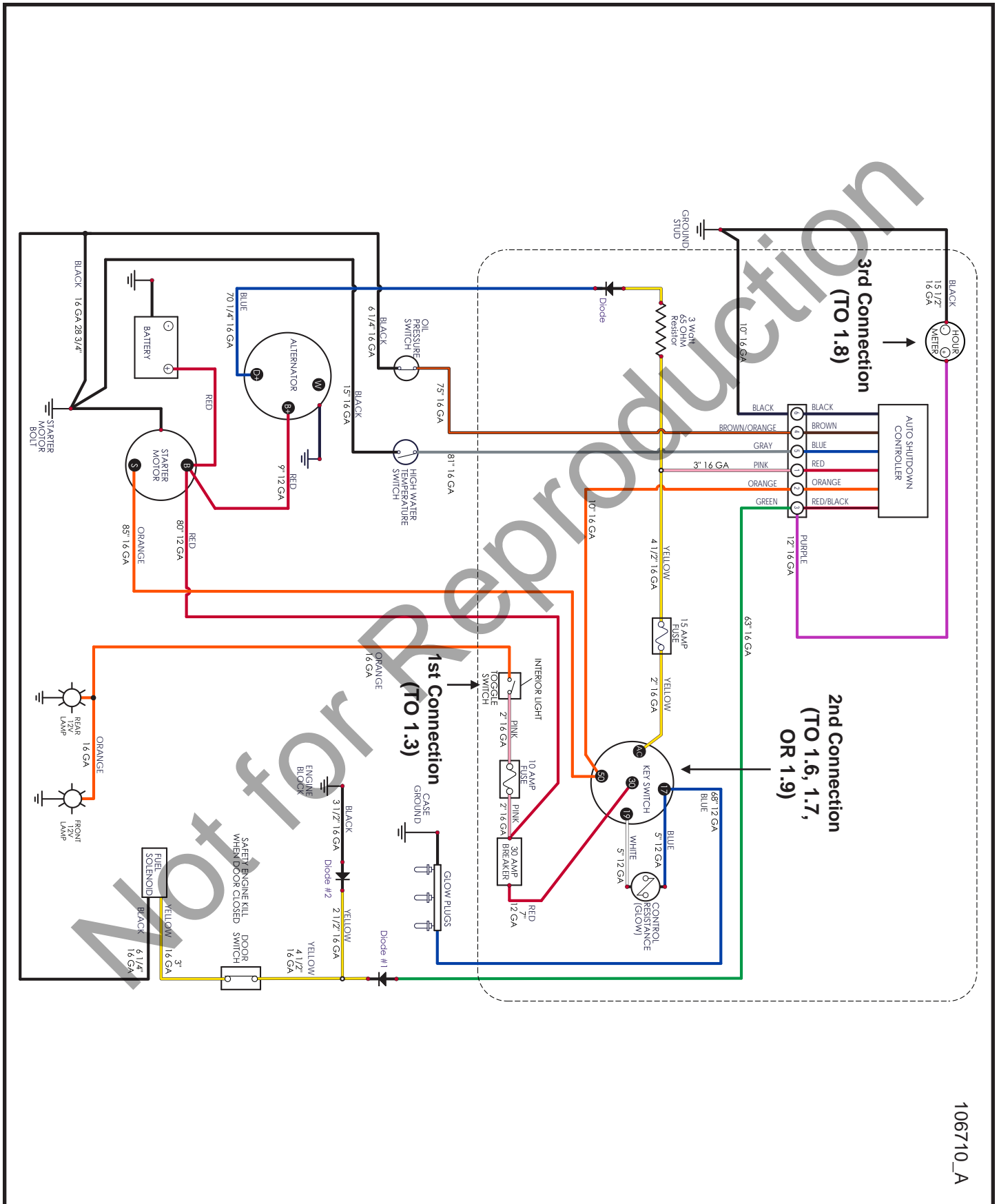
106858_D

1.3 - 12V Work Lights Wire Schematic



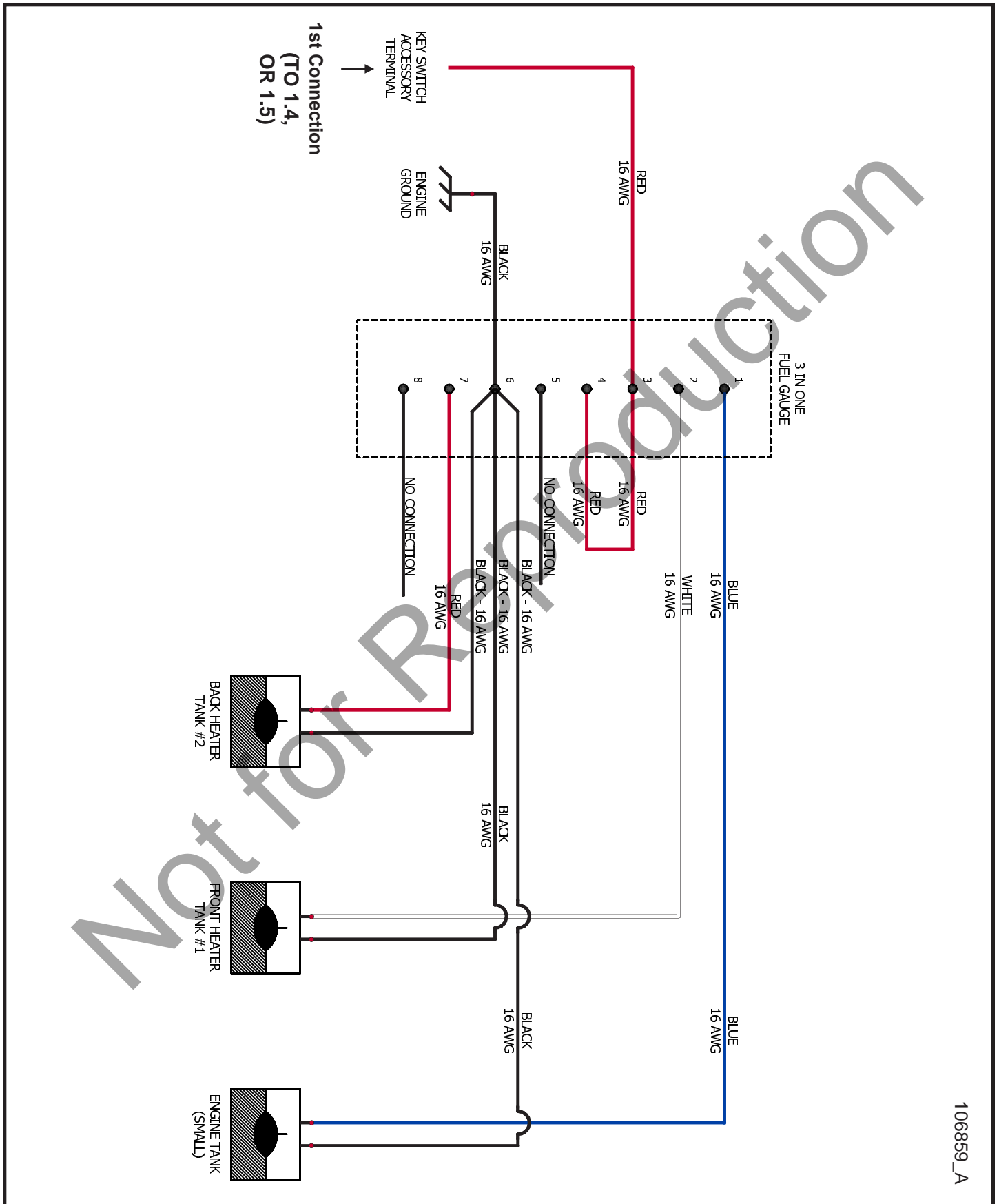
106863_A

1.4 - CAT C1.5 Wire Schematic

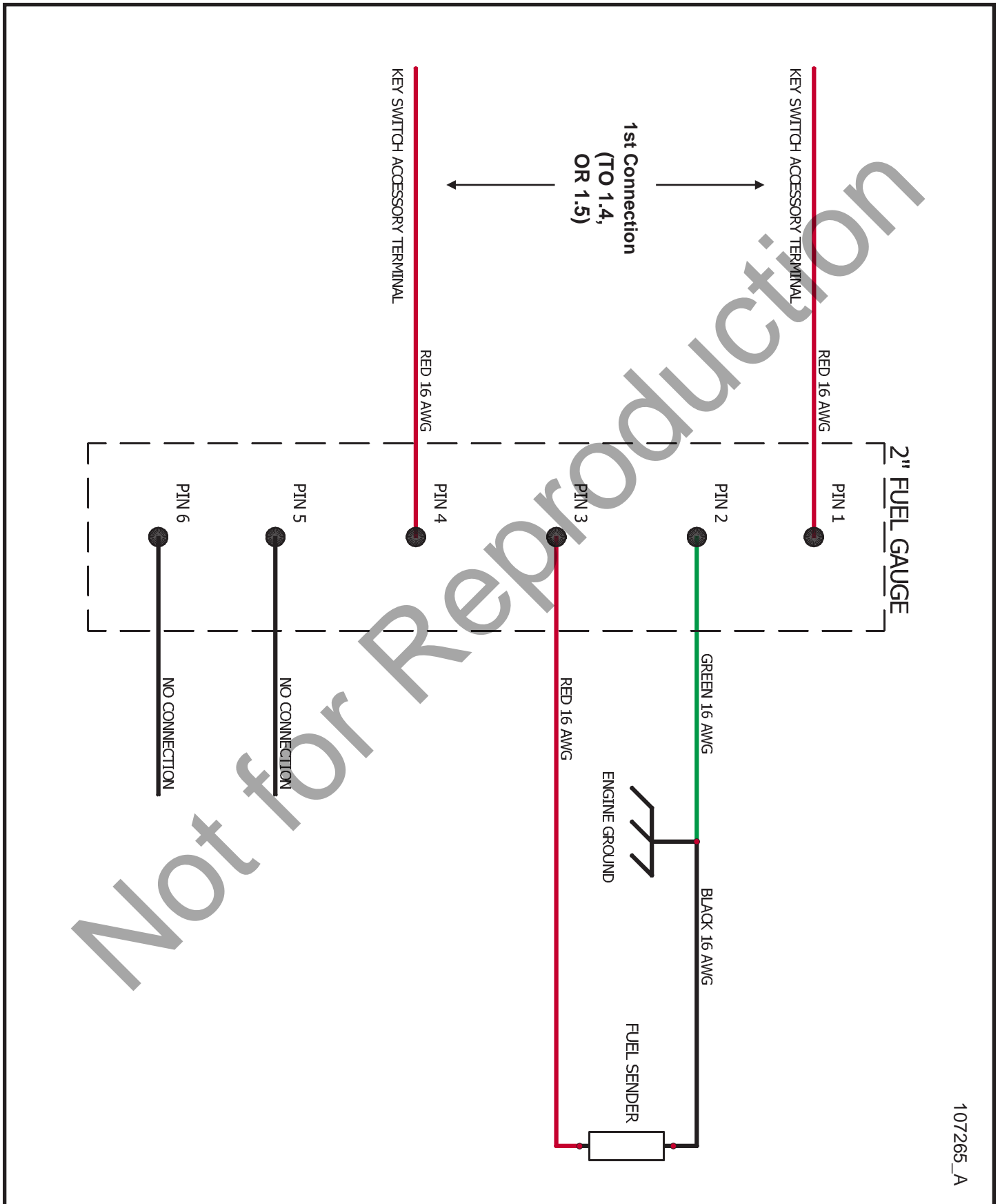


106710_A

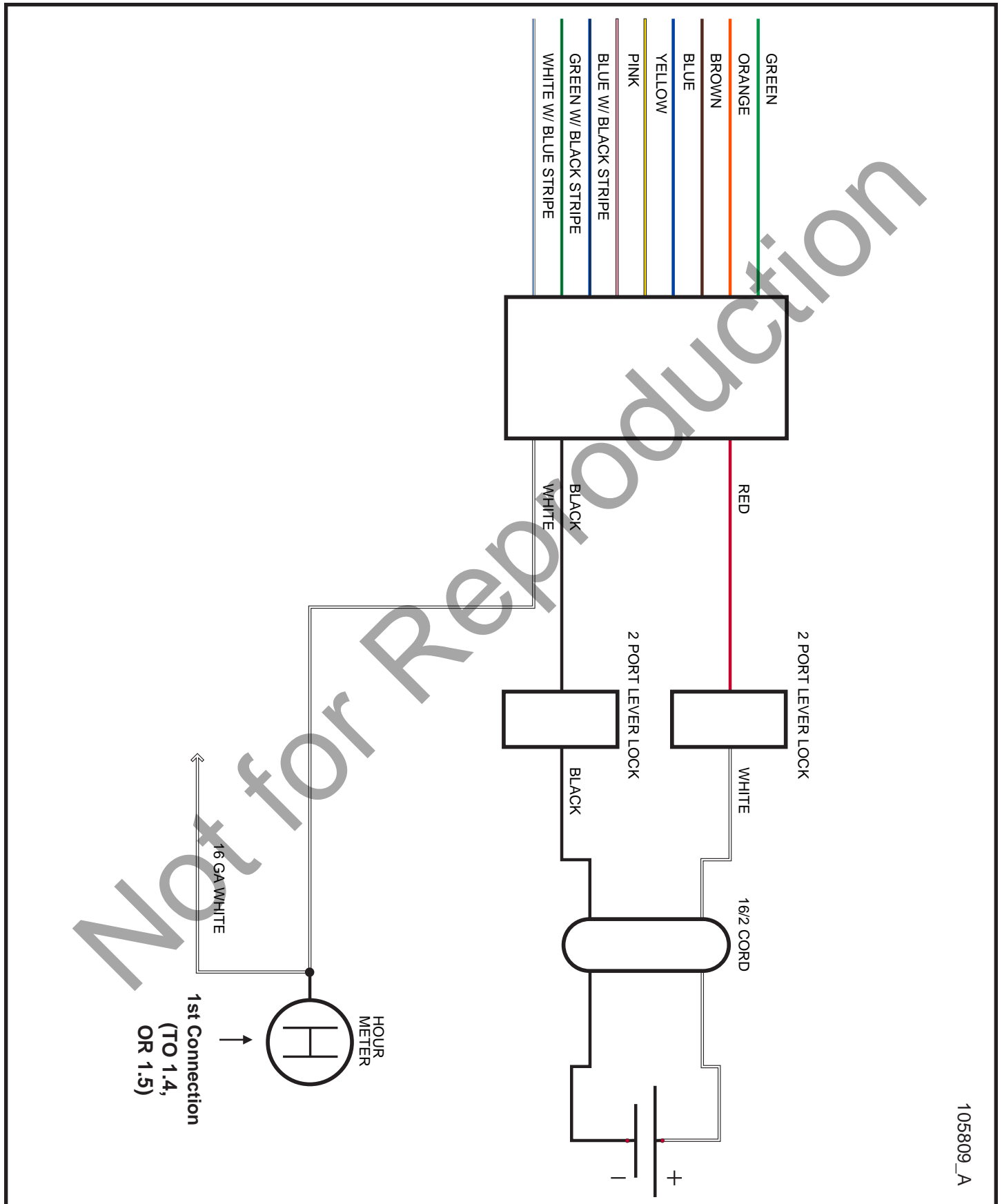
1.6 - Fuel Level Senders Poly Tank Wire Schematic



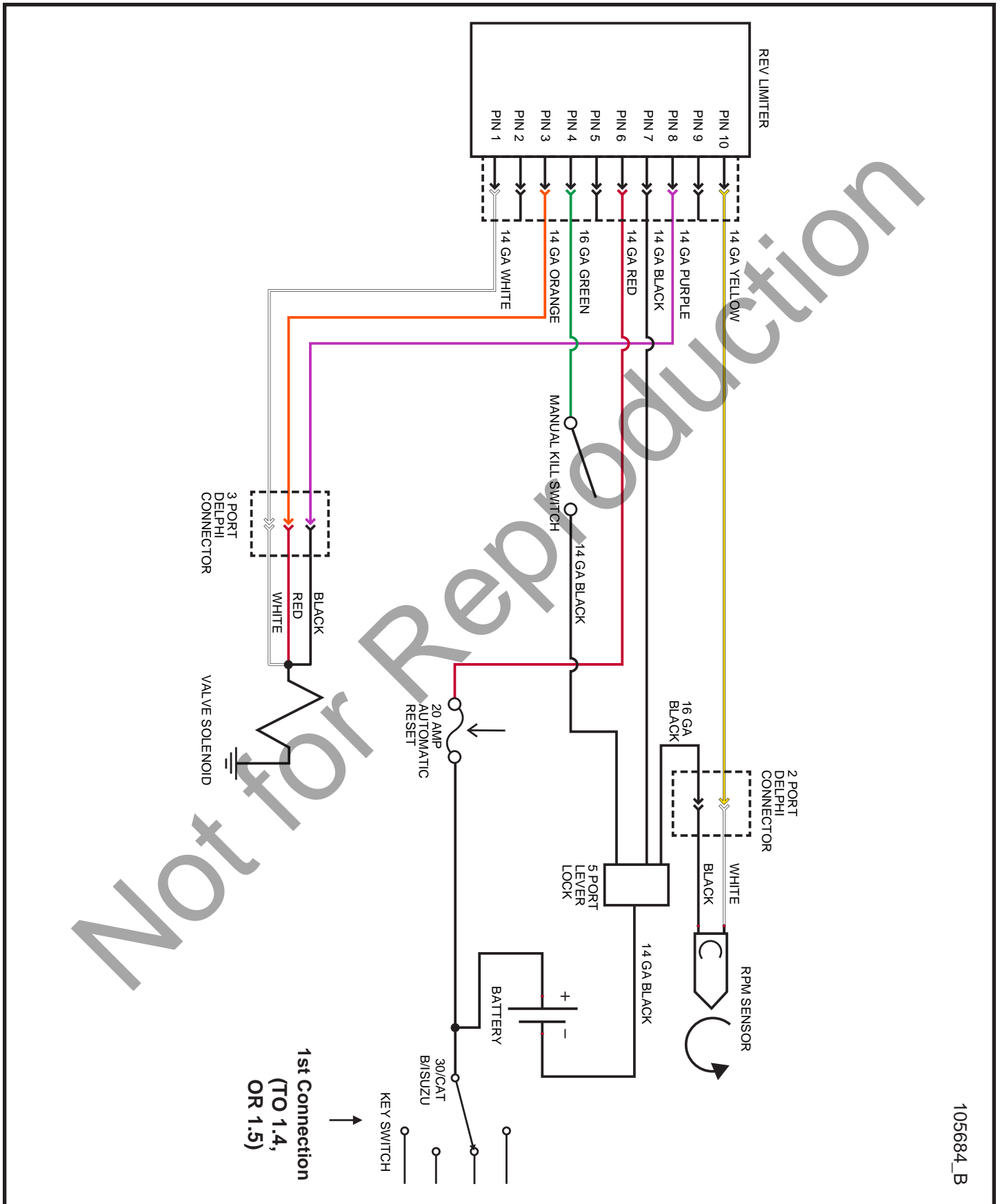
1.7 - Fuel Level Sender Steel Tank Wire Schematic



1.8 - GPS ZTR System Wire Schematic

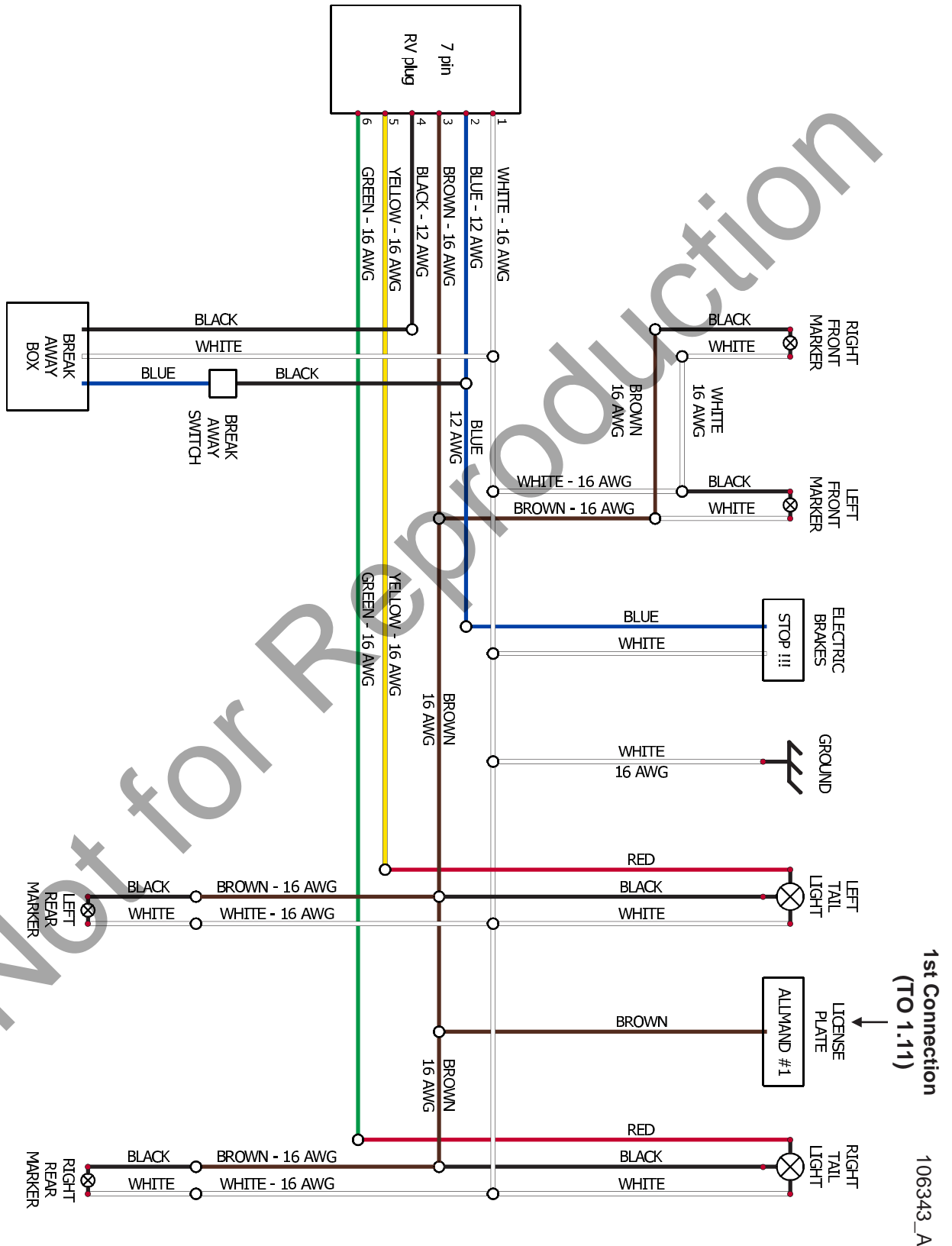


1.9 - Shocker Valve Harness Wire Schematic

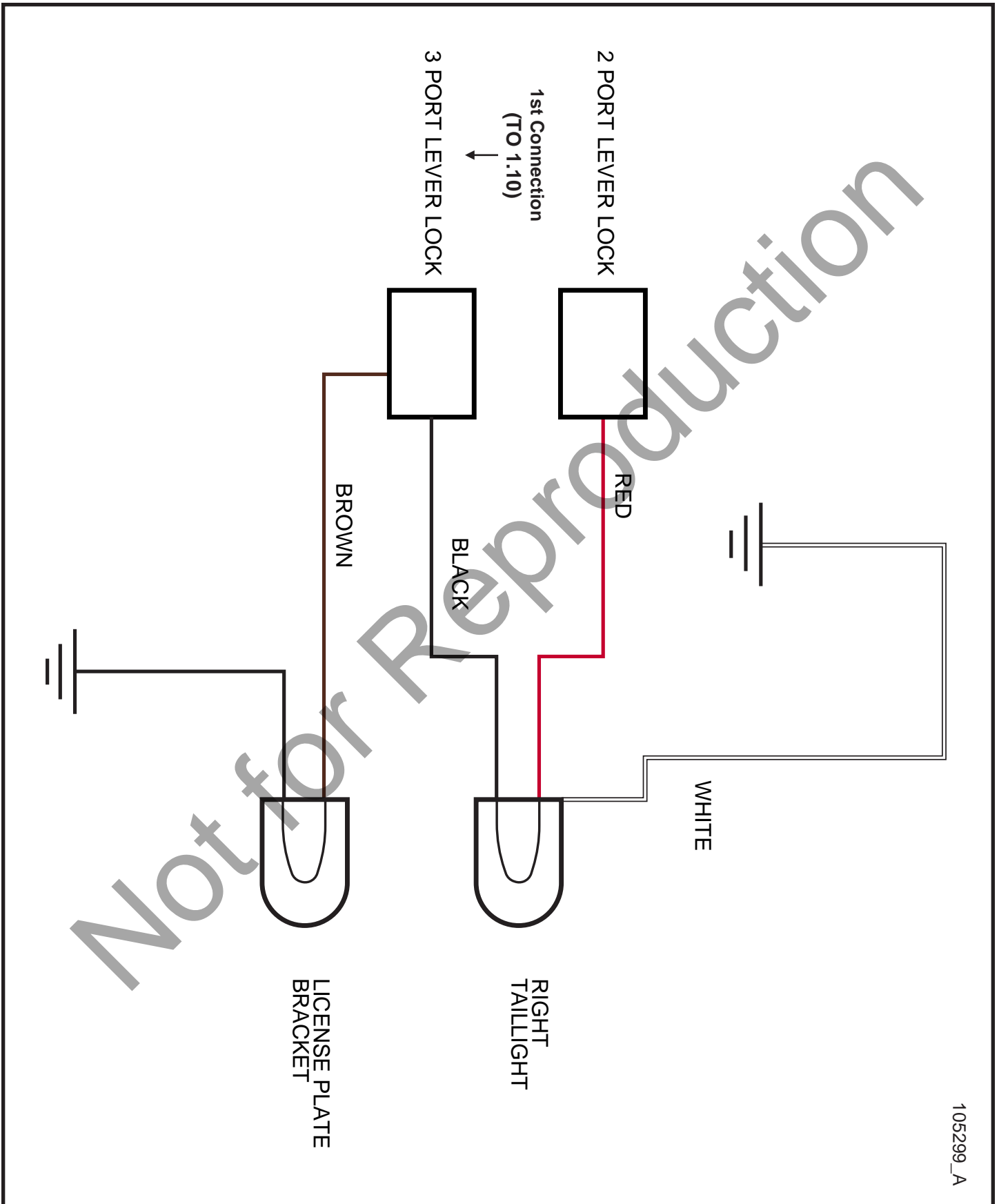


1.10 - Tail Light Harness Wire Schematic

NOTE - IF WIRE GAUGE IS NOT SHOWN, WIRE IS SUPPLIED WITH THE COMPONENT



1.11 - License Plate Lamp Wire Schematic



105299_A

Not for Reproduction

PAGE LEFT BLANK
INTENTIONALLY

Allmand™

BRIGHTER. WARMER. SAFER.

Allmand Bros., Inc.
1502 West 4th Avenue
Holdrege, NE 68949
phone: (308) 995-4495 • toll free: (800) 562-1373
fax: (308) 995-5887

www.allmand.com



Reliability, performance, and integrity since 1938

13-0267