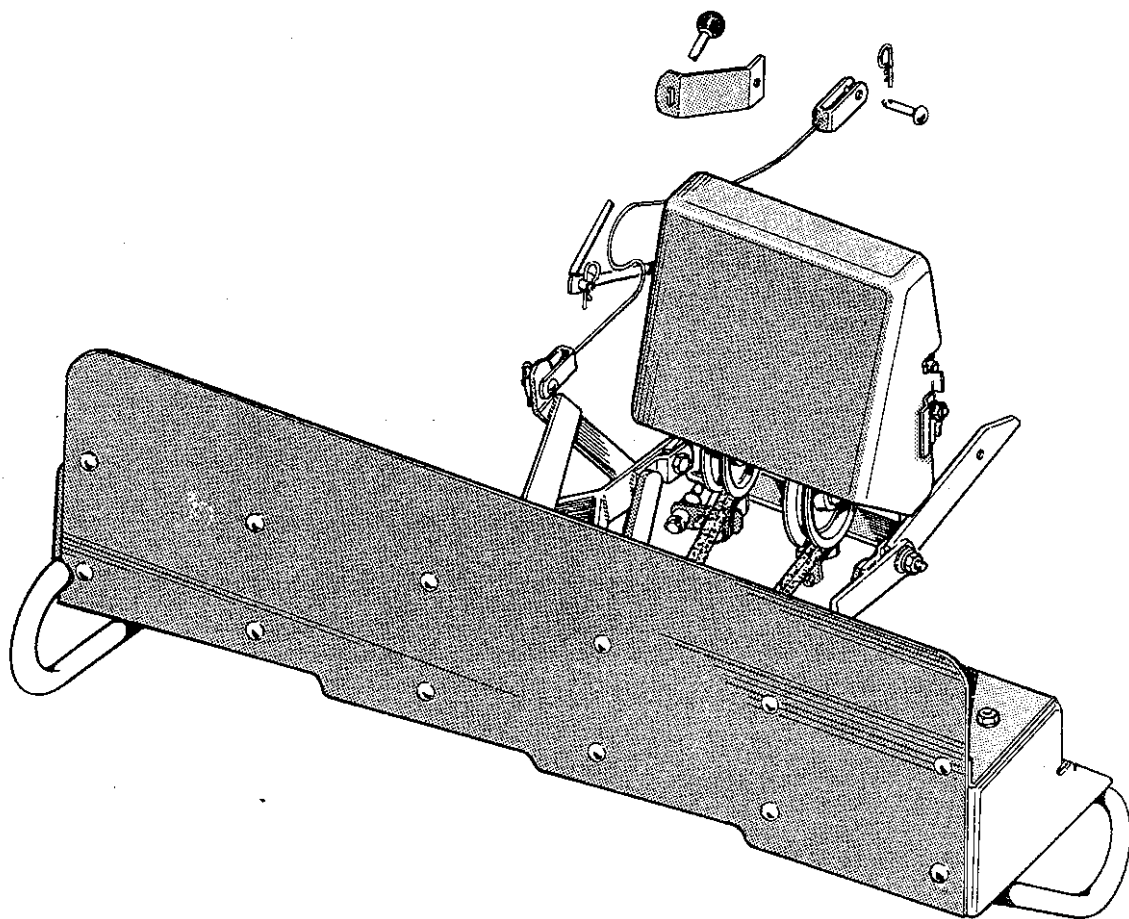


Simplicity

WEED CUTTER Mfr. No. 370



**FOR
LANDLORD
RIDING TRACTOR**

2 3 4 5 6 7 8 9 10

Litho in USA

SIMPLICITY MANUFACTURING COMPANY, INC.

TP-1277

GUARANTEE

The company guarantees Simplicity Products to be free from defects in material and workmanship except the company makes no warranty express or implied with respect to tires, engines and engine accessories which generally are warranted by their respective manufacturers. Any part covered by this warranty which is proven defective within one year, under normal use, from date of purchase, will be replaced free of charge, f.o.b. Port Washington, Wisconsin, provided such part is returned to factory transportation charges prepaid and is found to be defective upon examination at the factory. The company is not obligated under this guarantee to bear cost of labor or delivery charges in replacement of defective parts. This guarantee does not apply to any Simplicity Products altered outside of Simplicity's factory. Such replacement of defective parts shall be the exclusive remedy and in no event shall Simplicity be liable for consequential damages. EXCEPT AS SPECIFICALLY PROVIDED HEREIN, THERE ARE NO WARRANTIES WHICH EXTEND BEYOND THE DESCRIPTION ON ANY SIMPLICITY PRODUCT.

This form is to be used in lieu of the Registration (Warranty) Card.

Should warranty service be necessary, the information below should be presented to the authorized SIMPLICITY Dealer.

Customer's Name _____

Address _____

Mfg. No. _____ Serial No. _____

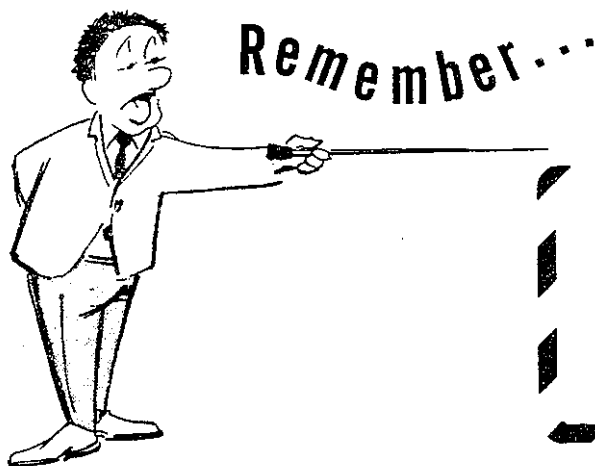
Date Purchased _____

Purchased From _____

Address _____

Engine Model No. _____ Serial No. _____ Type No. _____

To obtain replacement parts from dealer, advise quantity, part number and description.



FOR YOUR SAFETY

1. ALWAYS STOP ENGINE BEFORE LEAVING MACHINE
2. ALWAYS STOP ENGINE BEFORE SERVICING OR ADJUSTING MACHINE OR EQUIPMENT.
3. ALWAYS KEEP HANDS, FEET AND CLOTHING AWAY FROM POWER-DRIVEN PARTS

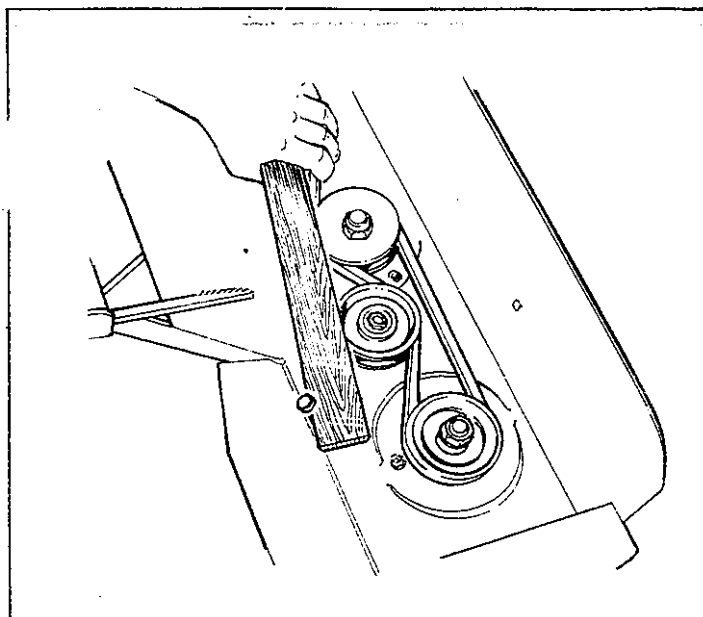


FIGURE 1

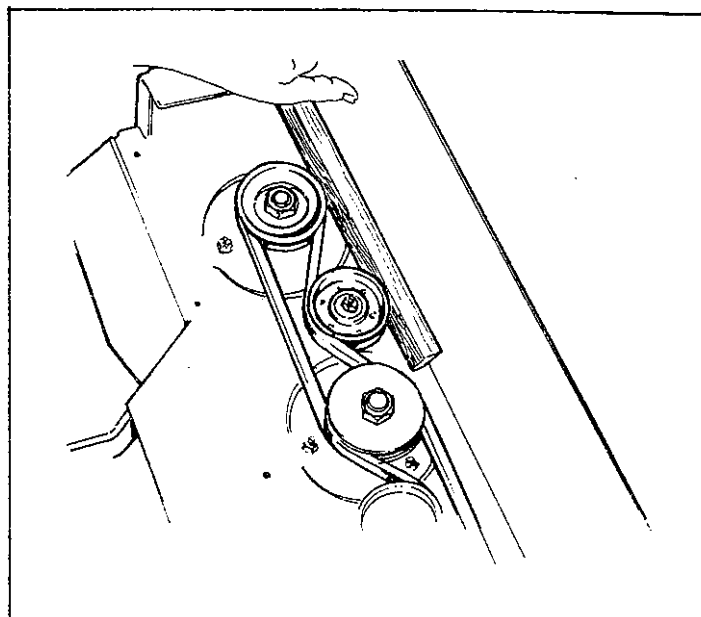


FIGURE 2

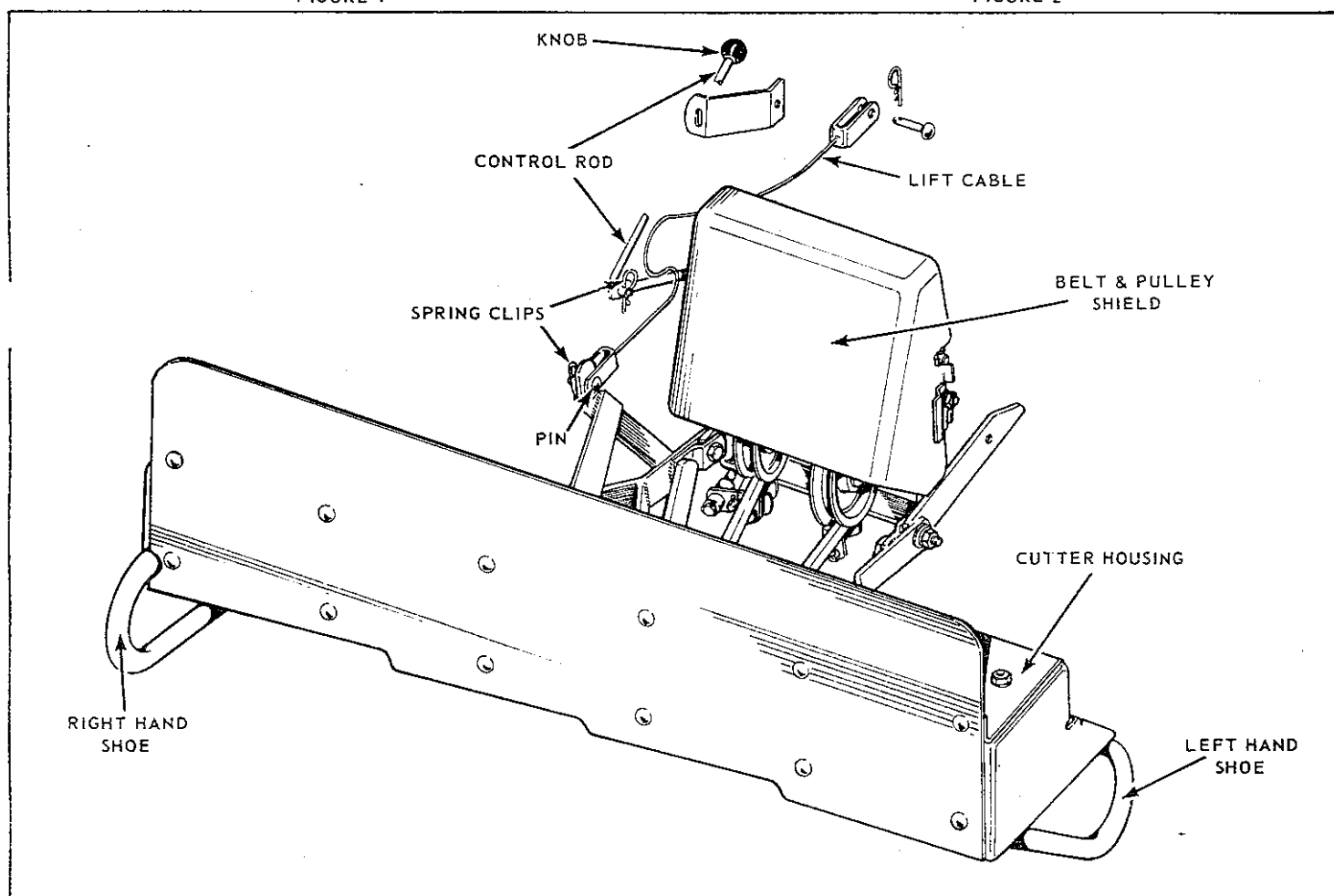


FIGURE 3

TO TIGHTEN BELTS

Remove top panel.

2. Loosen nut on idler pulleys.
3. To tighten the belt on the center and right idler pulleys place a bolt in the housing hole and using a piece of wood tighten belt to proper tension. See Fig. 1.
4. To tighten the belt for the left idler pulley, place a piece of wood between the pulley and the front panel and adjust for desired tension. See Fig. 2.

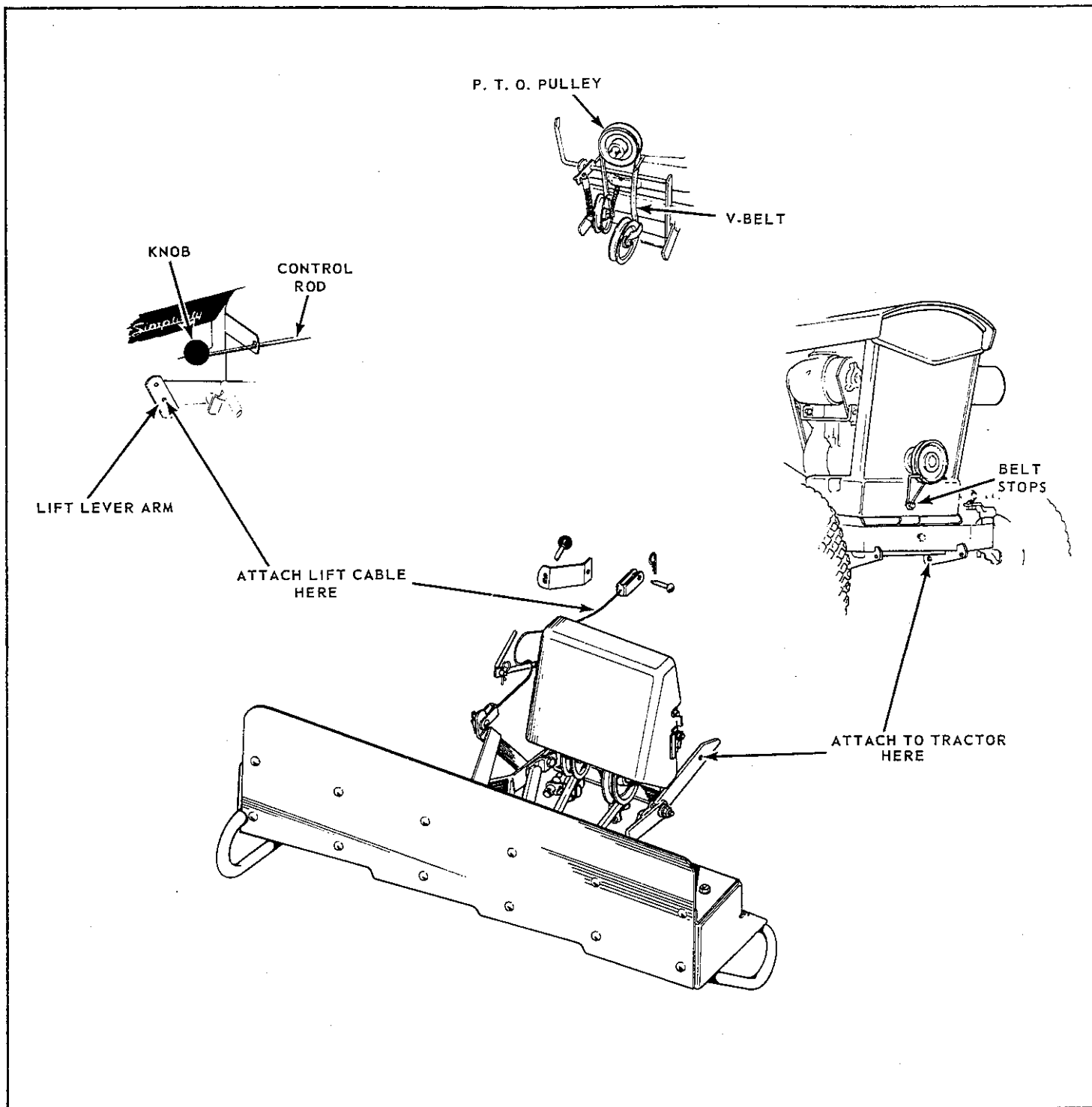


FIGURE 4

OPERATION

When cutting tall grass or weeds it is recommended that the first cutting be accomplished with the weed cutter in the raised position. (Lift lever in raised position.) The second cutting can then be done with the cutter in the low position. (Lift lever in down position.)

When cutting in leaves, twigs or thick branches the operator must immediately disengage cutter when engine appears to be stalling. Engine stalling indicates that a large object has stalled the cutter blades.

Failure to disengage cutter will result in belt breaking or burning.

For best results blades should be kept in sharpened condition. Dull blades result in poor cutting operation and require greater horsepower from engine.

INSTALLATION

The weed cutter is shipped completely assembled.

1. Remove the 5/16-18 x 1-1/4" long hex capscrew lock and plain washer from tractor directly below the

front mounted power take-off shaft. Insert through the two belt fingers and reassemble. DO NOT TIGHTEN. See Figure 4 . Right hand belt finger next to \bar{U} head. Left hand finger next to tractor.

2. Attach front mounted power take-off pulley #159128 to shaft. Secure the 3/8"-24 NF set screw down on the #159129 key. Position hub so 1/4" of engine shaft is exposed in front. See Figure 4.

3. Attach hitch assembly to tractor with the two pins and two spring clips. See Figure 4 .

4. Place belt around front mounted power take-off pulley. See Figure 4 .

5. Adjust belt fingers approximately 1/16" from belt when engaged. Secure the 3/16"-18 x 1-1/4 long capscrew.

6. Remove forward, top capscrew from right hand side panel. Insert clutch handle bracket between side panel and side member of fuel tank and steering post support assembly. Secure with same capscrew and lockwasher. See Figure 4 .

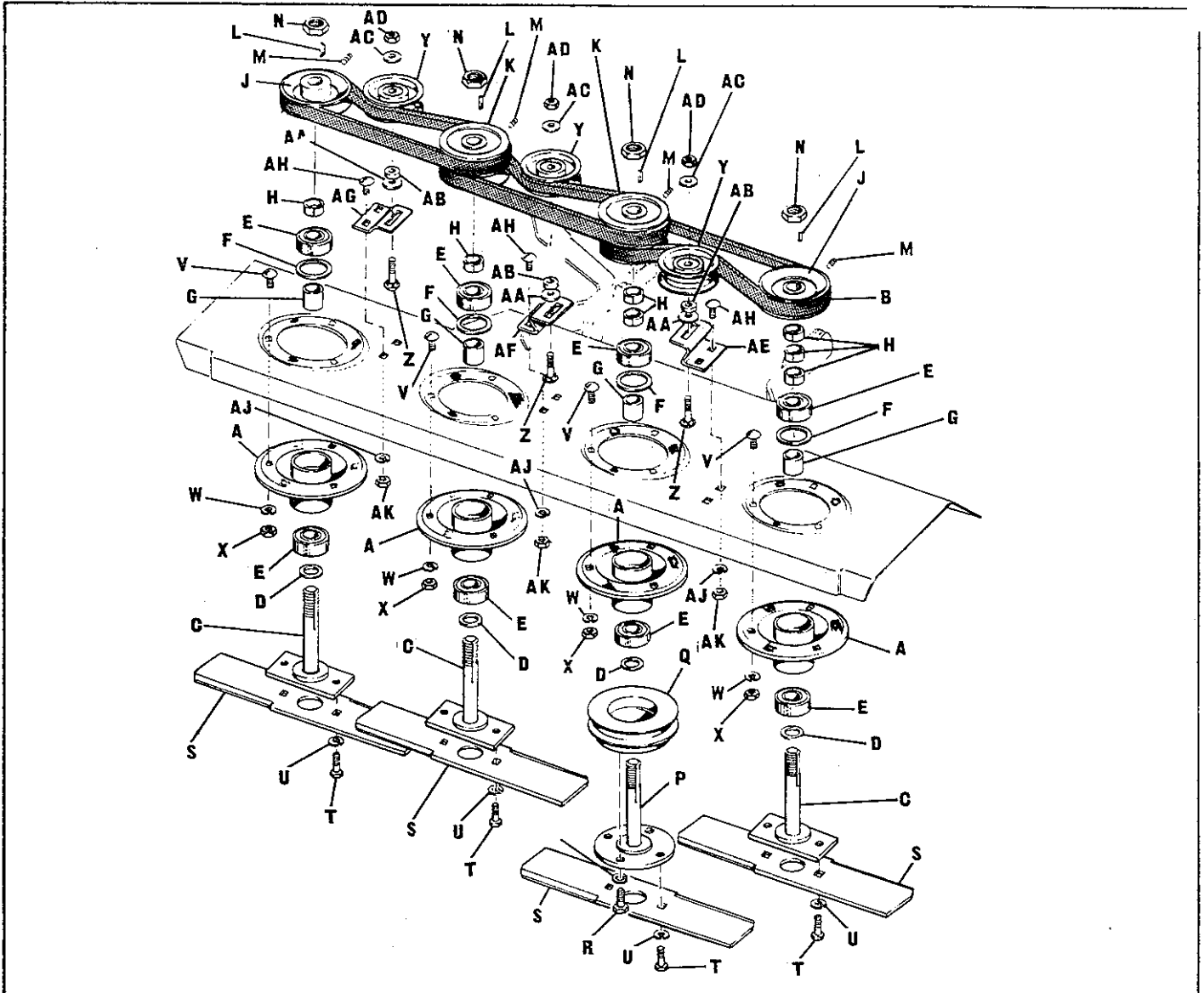
7. Insert clutch control rod through bracket and attach to clutch pivot and secure in place with spring clip. See Figure 4 .

8. Install lift cable using the pins & spring clips furnished.

WARNING

**THIS MACHINE MAY THROW OBJECTS. KEEP AT LEAST 50 FEET FROM PEOPLE.
DISENGAGE MOWER AND STOP ENGINE BEFORE LEAVING TRACTOR.**

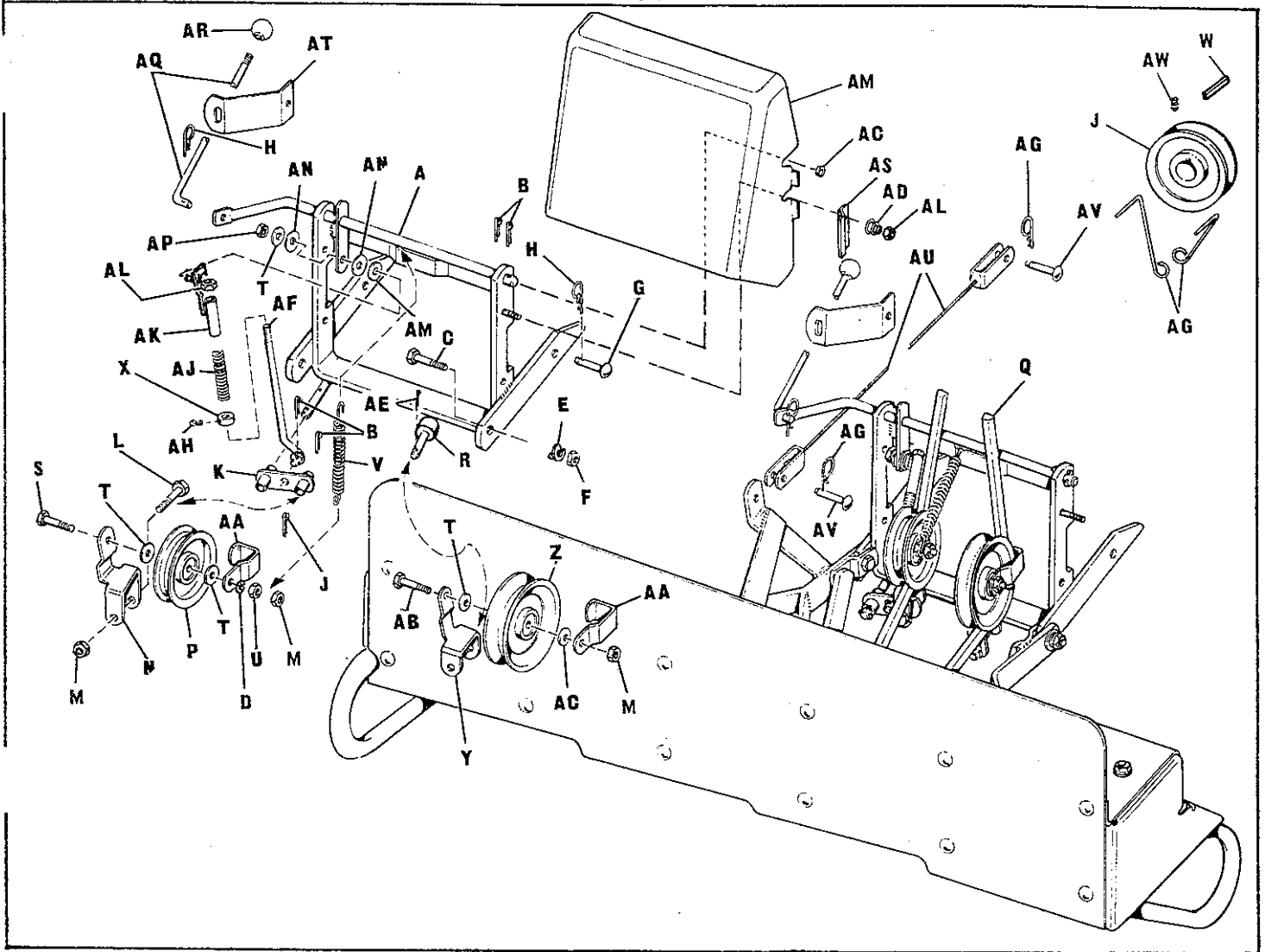
ARBOR, BLADE, AND BELTS



Ref. Let.	Part No.	Description
A	124069	Arbor Tube Assembly
B	108134	Backing Ring
C	124013	Arbor Assembly
D	108181	Washer
E	108202	Bearing
F	108257	Washer
G	108371	Spacer
H	124044	Spacer
J	124016	Pulley
K	124017	Double Pulley
L	8111037	Key
M	713504	Set Screw, 5/16"-18 x 3/8"
N	717517	Jam Hex. Nut, 3/4"-16
P	124018	Arbor Assembly
Q	124020	Arbor Drive Pulley
R	715074	Hex Cap Screw, 3/8"-16 x 7/8"
S	124021	Knife Blade
T	715024	Hex. Cap Screw, 3/8"-16 x 5/8"

Ref. Let.	Part No.	Description
U	720002	Lock Washer, 3/8"
V	705004	Hex Capscrew 3/8"-16 x 3/4"
W	720002	Lock Washer, 3/8"
X	717003	Full Hex. Nut, 3/8"-16
Y	154534	Idler Pulley
Z	703006	Carriage Bolt, 3/8"-16 x 1-1/2"
AA	719001	Plain Washer, 3/8"
AB	153073	Spacer
AC	719002	Plain Washer, 5/16"
AD	717510	Full Lock Hex. Nut, 3/8"-16
AE	124022	Idler Support, L.H.
AF	124023	Idler Support
AG	124024	Idler Support, R.H.
AH	703005	Carriage Bolt, 5/16"-18 x 3/4"
AJ	720001	Lock Washer, 5/16"
AK	717001	Full Hex. Nut, 5/16"-18
AL	124025	"V" Belt

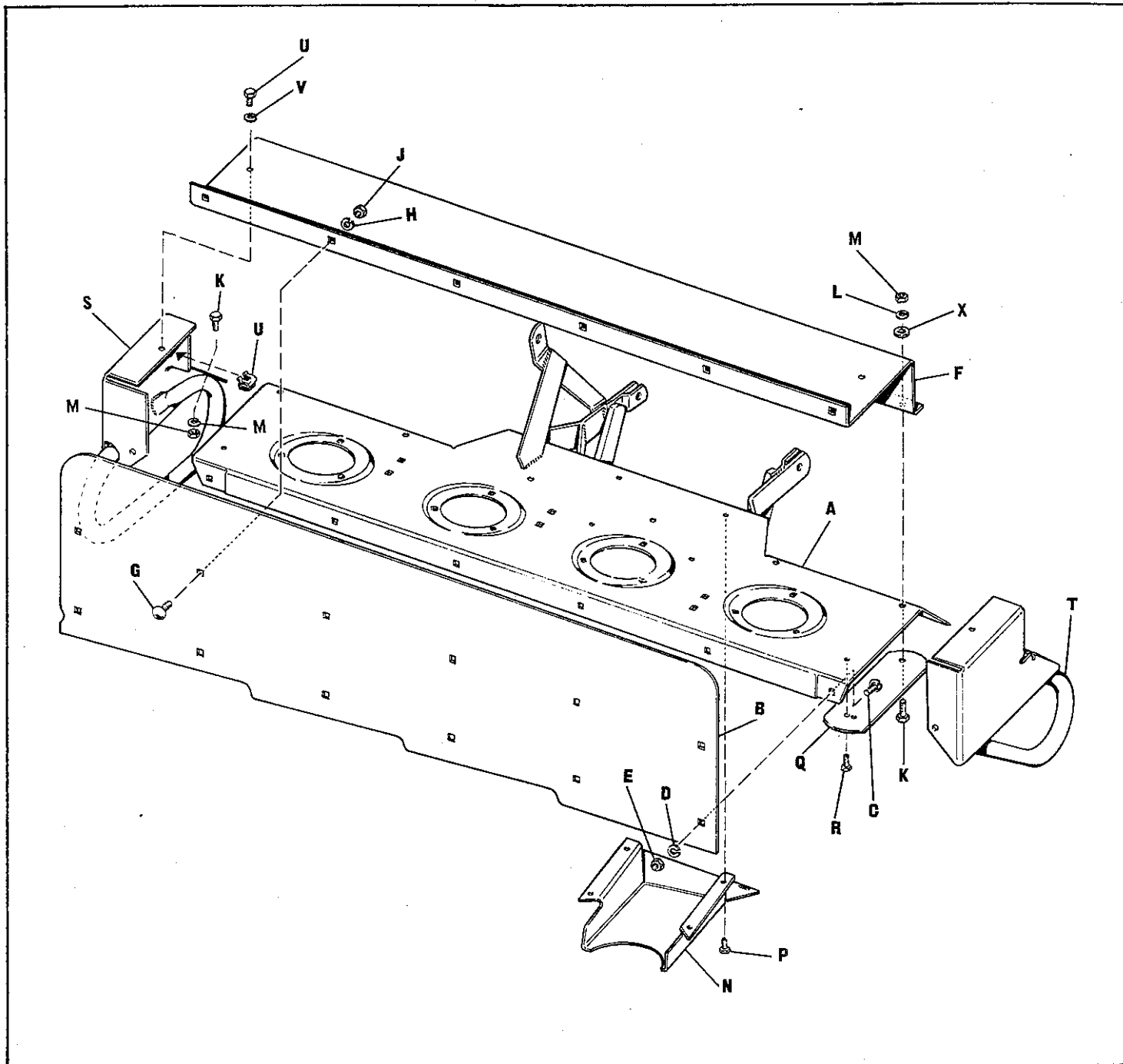
HITCH GROUP



Ref. Let.	Part No.	Description
A	124041	Hitch Assembly
B	722006	Cotter Pin, 1/8" Dia x 1" lg.
C	121184	Hex. Cap Screw
D	720002	Lock Washer
E	721701	Spring Washer, 3/8"
F	717515	Full Lock Hex. Nut, 3/8"-24
G	118053	Pin
H	8161045	Spring Clip
J	159128	Pulley
K	106674	Idler Lever Assembly
L	705003	Hex. Cap Screw, 3/8"-16 x 2-1/4"
M	717510	Full Lock Hex. Nut, 3/8"-16
N	106694	Idler Bracket
P	101096	Idler Pulley
Q	108151	"V" Belt
R	124042	Spacer
f	705009	Hex. Cap Screw, 3/8"-16 x 1-1/2"
U	719002	Plain Washer, 5/16"
V	717013	Jam Hex. Nut, 3/8"-16
W	106681	Return Spring
X	159129	Key
Y	8191022	Set Collar
Y	106695	Idler Bracket

Ref. Let.	Part No.	Description
Z	101096	Idler Pulley
AA	106690	Belt Guide
AB	705016	Hex. Cap Screw, 3/8"-16 x 1-1/4"
AC	106731	Spacer
AD	157127	Conical Spring
AE	722001	Cotter Pin, 3/32" Dia. x 3/4"
AF	106770	Clutch Rod
AG	106707	Belt Stop
AH	713001	Set Screw, 1/4"-20 x 3/8"
AJ	8191045	Spring
AK	106768	Rod Guide Assembly
AL	717511	Full Lock Hex. Nut, 5/16"-18
AM	106730	Pulley Cover
AN	159134	Nylon Washer
AP	717525	Stop Nut, 5/16"-18
AQ	106710	Clutch Handle
AR	122005	Knob
AS	106728	Clip, Pulley Cover
AT	106687	Bracket
AU	124037	Cable Assembly
AV	153058	Pin
AW	715049	Set Screw, 3/8"-24 x 3/8"

CUTTER HOUSING



Ref. Let.	Part No.	Description
A	124001	Housing Assembly
B	124009	Front Plate
C	703005	Carriage Bolt, 5/16''-18 x 3/4''
D	720001	Lock Washer, 5/16''
E	717001	Full Hex Nut, 5/16''-18
F	124026	Spindle Cover
G	703005	Carriage Bolt, 5/16''-18 x 3/4''
H	720001	Lock Washer, 5/16''
J	717001	Full Hex. Nut, 5/16''-18
K	705017	Hex Cap Screw, 5/16''-18 x 3/4''
L	720001	Lock Washer, 5/16''

Ref. Let.	Part No.	Description
M	717001	Full Hex Nut, 5/16''-18
N	124027	Belt Cover
P	715067	Std. Screw Taptite, 1/4''-20 x 3/8
Q	124028	Baffle
R	715067	Std. Screw Taptite, 1/4''-20 x 3/8''
S	124029	R. H. End Cap Assembly
T	124032	L. H. End Cap Assembly
U	718037	Tinnerman Nut, 5/16''-18
V	705012	Hex Cap Screw, 5/16''-18 x 5/8''
W	720001	Lock Washer, 5/16''
X	719002	Plain Washer, 5/16''