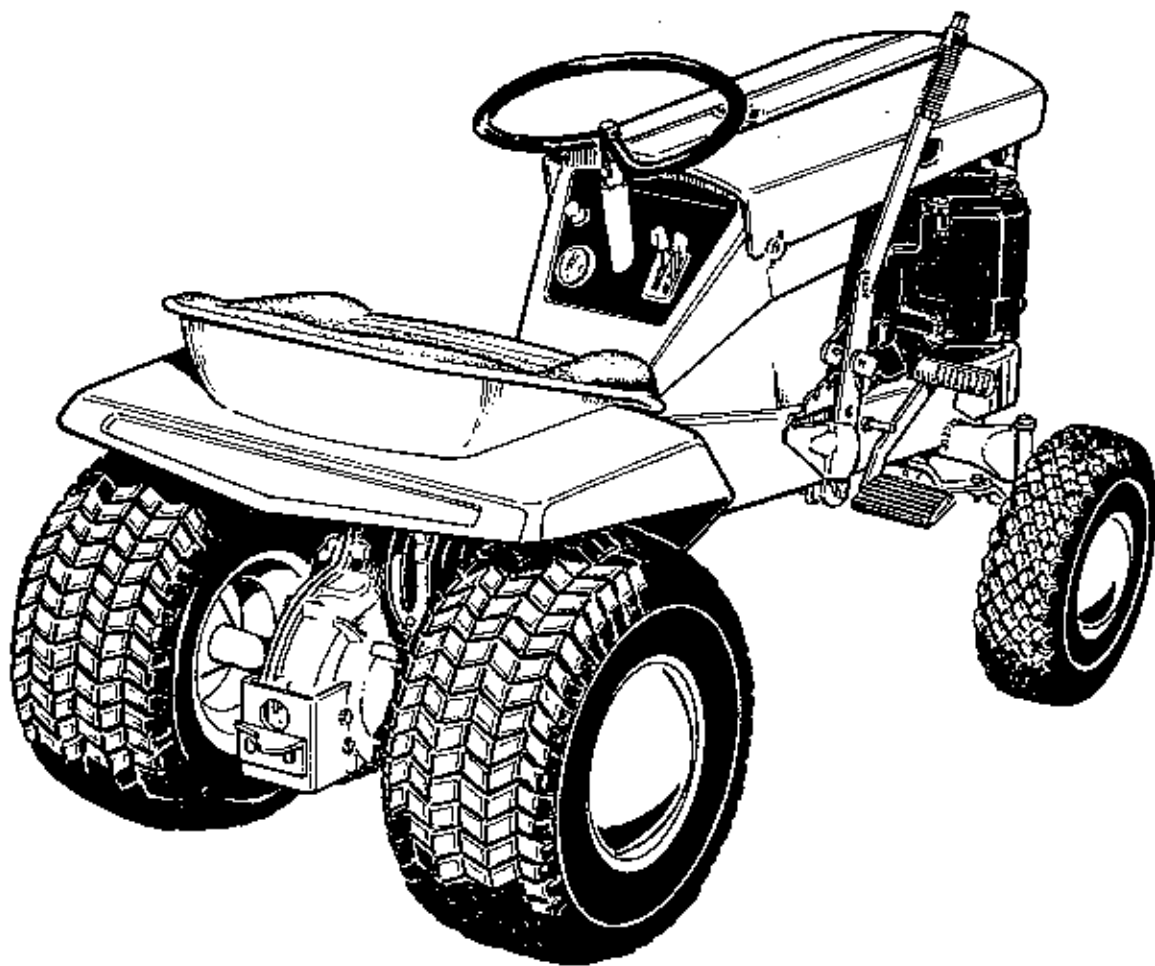


# *Simplicity*



## **6 H.P. and 7 H.P. BROADMOOR TRACTORS**

MFR'S. NO.

303 - 375 - 425 DELUXE TIRES WITH ELECTRIC START

288 - 374 - 424 DELUXE TIRES WITH MANUAL START

287 - 373 - STANDARD TIRES WITH MANUAL START

12345678930

LITHO IN U.S.A.

SIMPLICITY MANUFACTURING COMPANY, INC.

# 1615

## WARRANTY

The company warrants Simplicity Products to be free from defects in material and workmanship except the company makes no warranty express or implied with respect to tires, engines and engine accessories which generally are warranted by their respective manufacturers. Any part covered by this warranty which is proven defective within one year, under normal use, from date of purchase, will be replaced free of charge, f.o.b. Port Washington, Wisconsin, provided such part is returned to factory transportation charges prepaid and is found to be defective upon examination at the factory. The company is not obligated under this warranty to bear cost of labor or delivery charges in replacement of defective parts. This warranty does not apply to any Simplicity Products altered outside of Simplicity's factory. Such replacement of defective parts shall be the exclusive remedy and in no event shall Simplicity be liable for consequential damages. EXCEPT AS SPECIFICALLY PROVIDED HEREIN, THERE ARE NO WARRANTIES WHICH EXTEND BEYOND THE DESCRIPTION ON ANY SIMPLICITY PRODUCT.

This form is to be used in lieu of the Registration (Warranty) Card.

Should warranty service be necessary, the information below should be presented to the authorized SIMPLICITY Dealer.

Customer's Name \_\_\_\_\_

Address \_\_\_\_\_

Mfg. No. \_\_\_\_\_ Serial No. \_\_\_\_\_

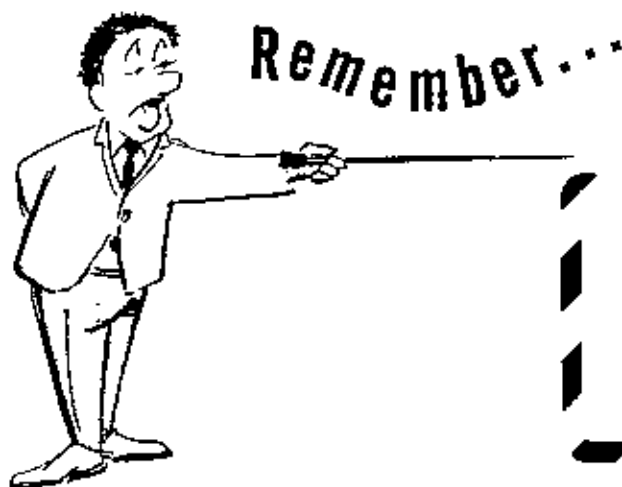
Date Purchased \_\_\_\_\_

Purchased From \_\_\_\_\_

Address \_\_\_\_\_

Engine Model No. \_\_\_\_\_ Serial No. \_\_\_\_\_ Type No. \_\_\_\_\_

To obtain replacement parts from dealer, advise quantity, part number and description.



### FOR YOUR SAFETY

1. ALWAYS STOP ENGINE BEFORE LEAVING MACHINE
2. ALWAYS STOP ENGINE BEFORE SERVICING OR ADJUSTING MACHINE OR EQUIPMENT
3. ALWAYS KEEP HANDS, FEET AND CLOTHING AWAY FROM POWER-DRIVEN PARTS

This tractor is shipped completely assembled except for the steering wheel. Position the wheel on the steering post as shown, Fig. 1, and secure with the 5/16" screw and lock nut provided. NOTE: On electric start models, install the battery before assembling the steering wheel.

1. **ENGINE LUBRICATION**—Refer to the engine manufacturer's instruction manual for information concerning location of the crankcase filler plug, and the oil capacity of the crankcase.

It is important that you pay attention to "Service Designation" stamped on the top of each can of all you intend using in your tractor engine. Use oil labeled MS (Motor Saver), but do not use ML or MM labels as they do not contain sufficient additives for proper protection. Labels DL and DM may be used also; however, do not use a DS label oil as it is too severe in detergent quality for this application. Be sure to use a premium grade oil, and change at least every 24 hours of operation.

2. **ENGINE AIR CLEANER**—Refer to the engine manufacturer's instruction manual for information concerning the type and quantity of oil to be used in the air cleaner. Inspect the air cleaner element frequently to insure cleanliness, and under dusty or dirty operating conditions, check and clean daily if necessary.

3. **ENGINE COOLING**—The engine used on your tractor is an air-cooled engine and requires that the fins on the head and cylinder be kept free of heavy layers of dirt and foreign material. If the air flow is obstructed by grass, etc., piled up on the recoil starter screen, or dirt is allowed to nullify the purpose of the cooling fins on the cylinder head and cylinder, proper cooling cannot take place, and the life of the engine will be shortened.

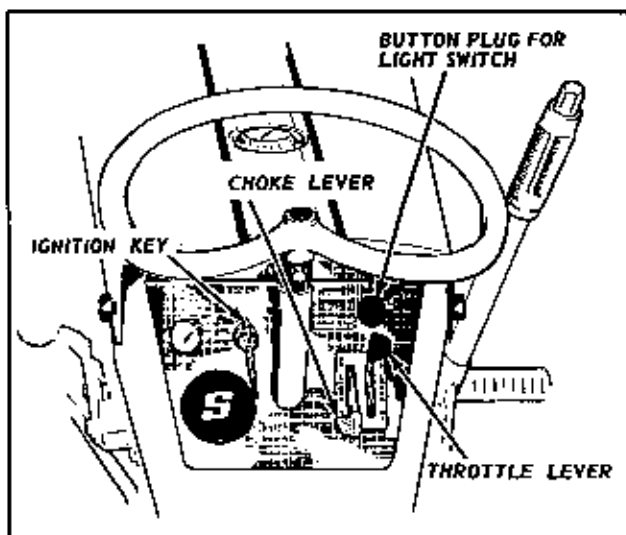


Figure 1

## STARTING ENGINE

4. **STARTING THE ENGINE**—The proper procedure for starting the engine is as follows:

The proper procedure for starting the engine is as follows:

1. Sit upon the tractor seat.
2. Turn the ignition key, Fig. 1, to the "ON" position.
3. Depress the clutch pedal, Fig. 2, with the right foot.
4. Move the choke lever, Fig. 1, to the "ON" position, and move the throttle lever, Fig. 1, to about 1/3 open.

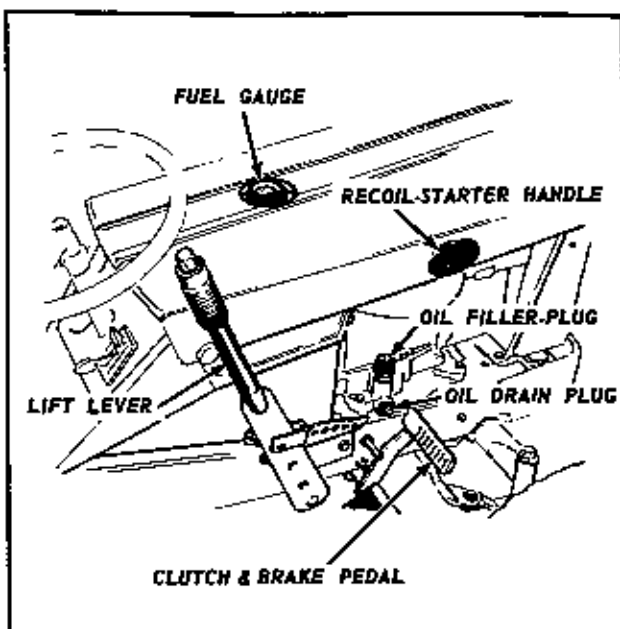


Figure 2

5. Grasp the handle of the recoil starter, Fig. 2, with the right hand and pull sharply toward you. If engine starts on first pull, slowly move the choke lever to the off position as the engine warms up. Should the engine fail to start on the first or second pull move the choke lever to the off position to avoid flooding the engine with fuel. When re-starting a warm engine, it should not be necessary to use the choke.

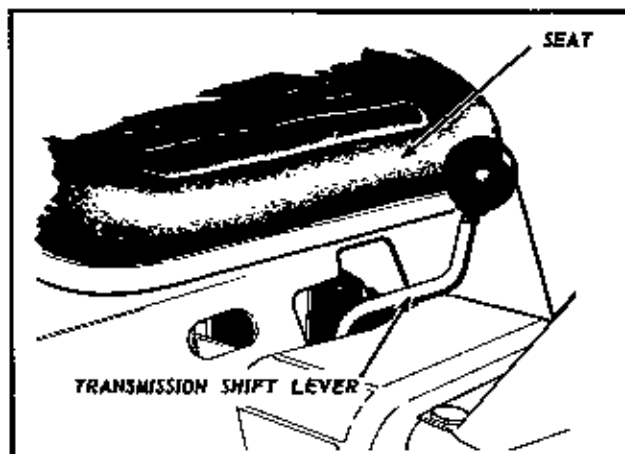


Figure 3

## FORWARD or REVERSE TRAVEL

Travel direction of the tractor is regulated by the position of the transmission shift lever, Fig. 3. Merely depress the clutch pedal, Fig. 2, with the right foot, and with the heel of your hand, move the shift lever into the desired "HI", "LO", or "REVERSE" position. Slowly release the clutch lever and move off, regulating speed of travel by the position of the throttle lever.

## STOPPING ENGINE

When stopping engine or parking tractor, keep the transmission in gear and depress the clutch pedal to a point where the brake is applied and turn the ignition key to the off position. Hold the clutch pedal all the way in until the engine stops, then release.

## LUBRICATION

Grease fittings are located on both front spindle housings, on the front wheels and at the pivot point under tractor frame. In normal use, these fittings (5 in all) should get two or three shots of a good grade of automotive type multi-purpose grease, every 15 to 20 hours of operation. Be sure to wipe the fittings clean before you apply the grease gun, or dirt and grit will be carried into the bearings with the application of grease.

The tractor transmission is lubricated with SAE 90 oil and is filled up to the level of the threads in the filler-plug hole. Check the transmission for oil before operating the tractor initially, and occasionally check the filler and drain plugs for tightness. Unless the transmission is dis-assembled or the oil seals leak, the transmission lubricant need not be replenished or replaced. Allow the tractor to sit still for a period of time before checking transmission oil level. This will allow the oil dispersed in transmission to drain down to its normal position.

Occasionally lubricate the pivots for the clutch lever, pivots for the lift lever, pivots for the PTO and the front axle steering links and gears. Use a regular medium weight oil for this purpose.

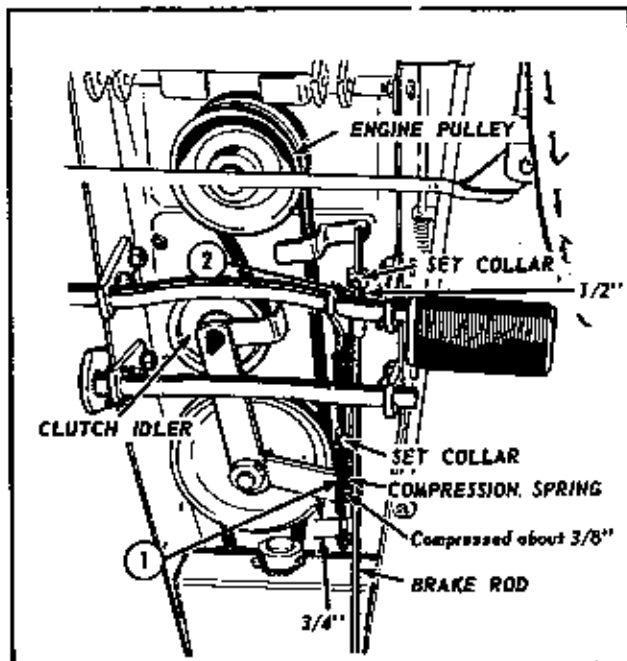


Figure 4

## BRAKE and CLUTCH ADJUSTMENT

With the clutch in its normally engaged position, the spring on the clutch tension rod should be compressed about  $\frac{1}{2}$  inch. See #1, Fig. 4. Regulate this compression by positioning the set collar adjacent to the spring.

The set collar on the brake rod should be spaced about  $\frac{1}{2}$  inch, #2, Fig. 4, from the rod guide, when the clutch is in its normal position and the brake band is tight on the drum. Should it be necessary to alter the position of the set collar, be certain that the brake band is allowed to release its drag when the clutch pedal is released.

## STEERING ADJUSTMENT

If the steering linkage develops excessive looseness, it can be tightened by moving the quadrant ( V ) page 6, closer to the pinion ( M ) page 6. Loosen the screw ( X ) page 6, and make this adjustment and then re-tighten the screw securely.

## UNDERSIDE INSPECTION

The underside of the tractor is readily accessible in the following manner:

1. Drain all fuel from the fuel tank by removing the fuel line from the carburetor and draining into a suitable container.
2. Remove the air cleaner from the carburetor.
3. If the tractor is equipped with a Battery, remove it from the tractor.
4. Place the transmission in "LO" gear to prevent the rear wheels from turning, and raise up the front end of the tractor until the tractor stands in a vertical position, resting the back edge of the seat level with the ground. With the tractor in this position, inspection of belts and linkages may be carried out with ease. While it is possible for one man to raise the tractor to this position, it obviously will be easier if two men perform this together.

## HOOD REMOVAL

To remove the tractor hood, use the following procedure:

1. Loosen the knurled screws at the rear sides of hood.
2. Loosen the wing nuts at front of hood ( over grill ).
3. Push the recoil-starter handle inside of the hood opening.
4. Remove the hood by lifting up and forward, to clear the steering wheel. To replace the hood, reverse the order of above steps.

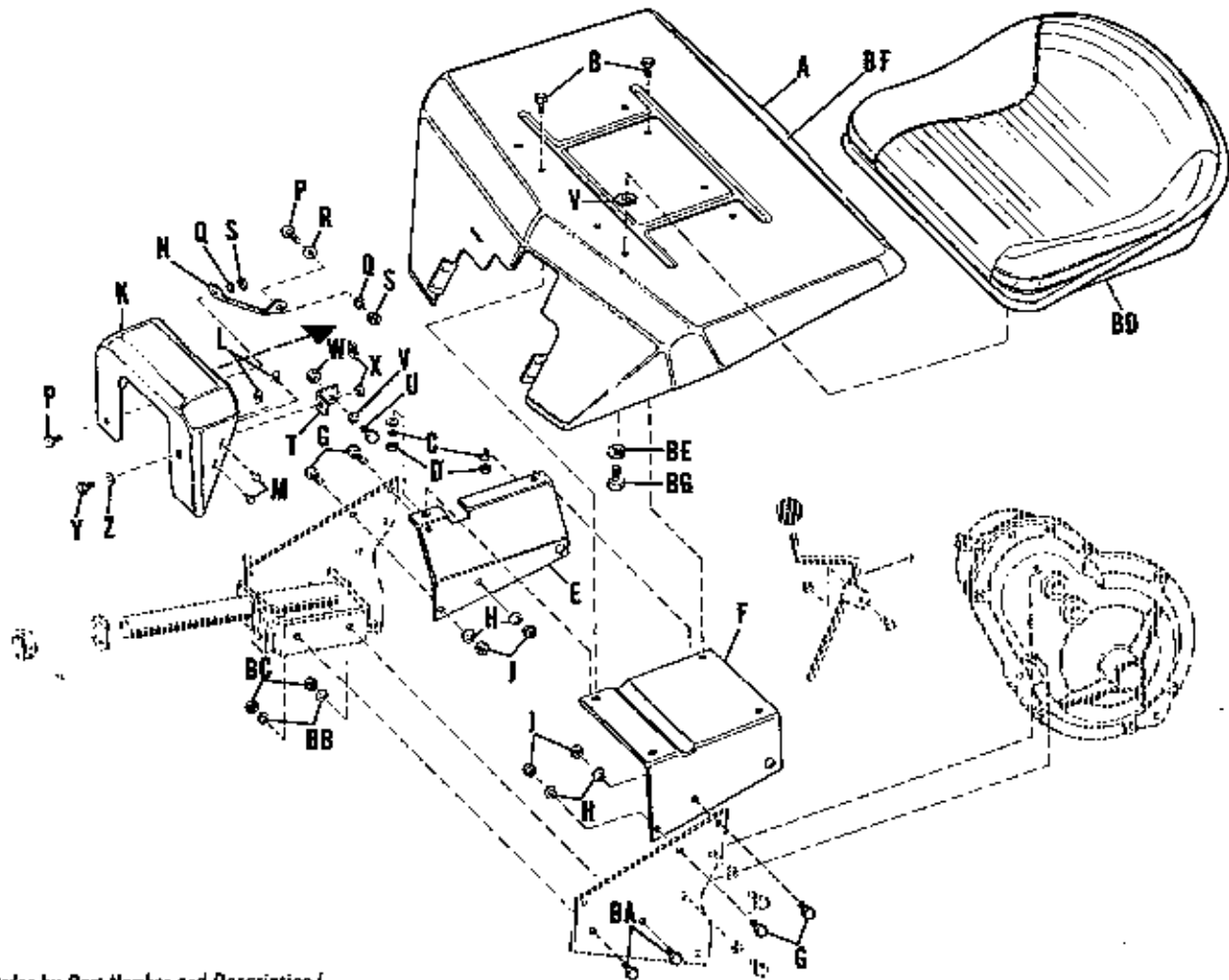
## RECOMMENDED TIRE PRESSURES

Rear— 4 to 5 lbs. PSI ( Deluxe Tire )  
14 lbs. PSI ( Standard Tire )

Front— 9 lbs. PSI ( Deluxe & Standard Tire )

NOTE: The tractor is shipped with all tires inflated to 15 PSI. It is very important to reduce these pressures to the above recommendations before putting the tractor into operation.

## SEAT MOUNTING GROUP



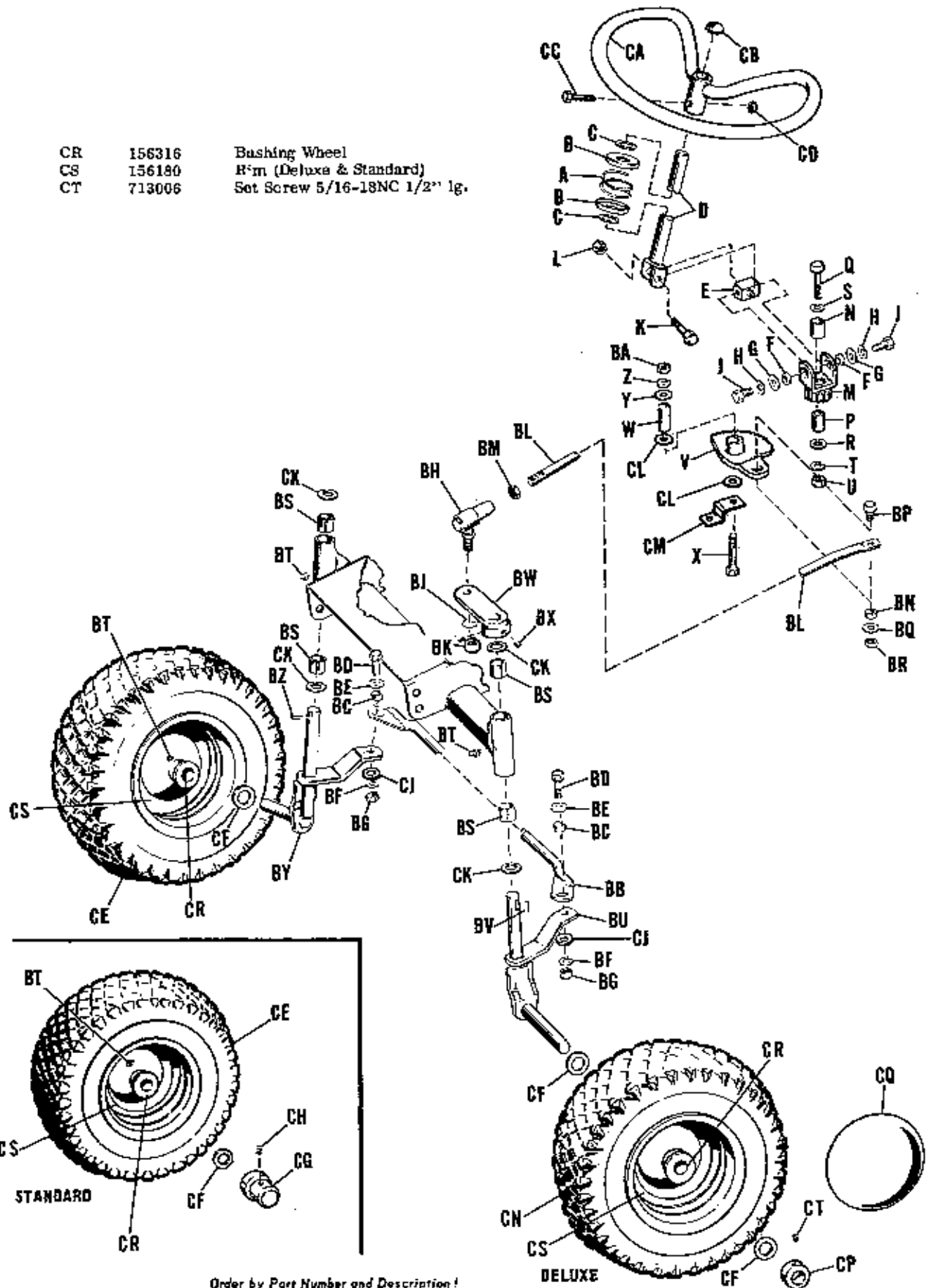
Order by Part Number and Description!

Ref. Letter	Part No.	Description
A	156060	Seat Support
B	705017	Hex Capscrew, 5/16"-18 x 3/4" lg.
C	720001	Lock Washer, 5/16"
D	717001	Hex Nut, Full, 5/16"-18
E	156221	Bracket, Right Hand
F	156220	Bracket, Left Hand
G	705017	Hex Capscrew, 5/16"-18 x 3/4" lg.
H	720001	Lock Washer, 5/16"
J	717001	Hex Nut, Full, 5/16"-18
K	156059	Seat Support Cover
L	718019	Speed Nut
M	714003	Rec. Hd. Hex Screw, Self-Tapping, #10 x 1/2" Long
N	156170	Cover Brace, Right Hand
P	705015	Hex Capscrew, 1/4"-20 x 5/8" long
Q	720003	Lock Washer, 1/4"

Ref. Letter	Part No.	Description
R	719006	Plain Washer, 1/4"
S	717005	Hex Nut, Full, 1/4"-20
T	156171	Clip, Cover, Seat Support, Left Hand
U	705017	Hex Capscrew, 5/16"-18 x 3/4" lg.
V	720001	Lock Washer, 5/16"
W	717001	Hex Nut, Full, 5/16"
X	156172	Retainer Nut
Y	705015	Hex Capscrew, 1/4"-20 x 5/8" lg.
Z	719006	Plain Washer, 1/4"
BA	705041	Hex Capscrew, 7/16"-14 x 1" lg.
BB	720006	Lock Washer, 7/16"
BC	717022	Hex Nut, Full, 7/16"-14
BD	156203	Seat Assembly
BE	719002	Lock Washer, 5/16"
BF	156197	Decal
BG	705012	Hex Capscrew, 5/16"-18 x 7/8" lg

# STEERING & FRONT WHEEL GROUP

CR	156316	Bushing Wheel
CS	156180	R'im (Deluxe & Standard)
CT	713006	Set Screw 5/16-18NC 1/2" lg.

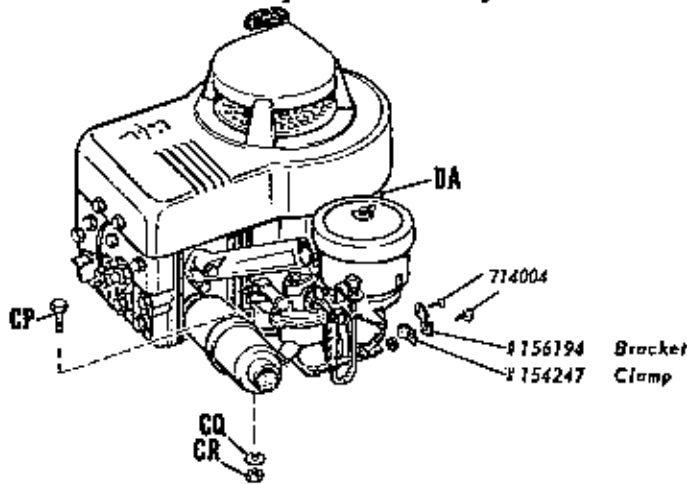


Order by Part Number and Description!

## STEERING & FRONT WHEEL GROUP

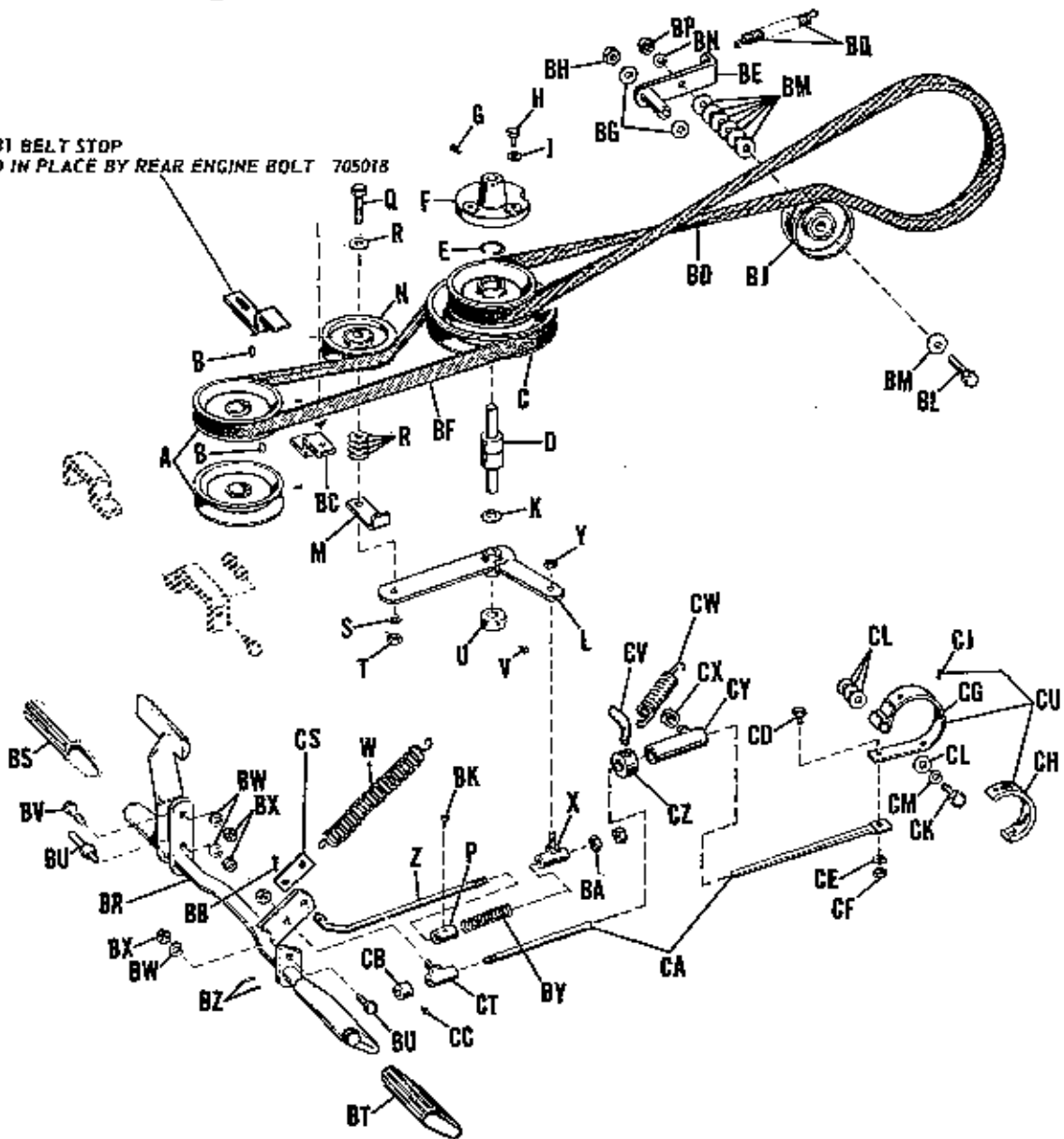
Reference Letter	Part Number	Description
A	154398	Compression Spring
B	154399	Cup, Spring
C	108181	Washer
D	156029	Steering Shaft Assembly
E	154153	Pin, Universal Joint
F	153081	Spacer
G	719001	Plain Washer, 3/8"
H	720002	Lock Washer, 3/8"
J	715030	Hex Capscrew, 3/8"-16 NC x 3/4" long
K	715026	Hex Capscrew
L	717511	Lock Nut, Hex, Full, 5/16"-18 NC
M	156027	Fork & Pinion Assembly
N	156054	Bushing
P	8161218	Spacer
Q	715045	Hex Capscrew, 3/8"-16 NC x 1-3/4" long, SAE Grade 8
R	719002	Plain Washer, 5/16"
S	156065	Plain Washer
T	720002	Lock Washer, 3/8"
U	717003	Hex Nut, Full, 3/8"-16 NC
V	156056	Steering Gear Assembly
W	8061058	Spacer
X	705014	Hex Capscrew, 3/8"-16 NC x 2-1/2" long
Y	719001	Plain Washer, 3/8"
Z	720002	Lock Washer, 3/8"
BA	717003	Hex Nut, Full, 3/8"-16 NC
BB	156069	Drag Link Assembly
BC	154177	Spacer
BD	705016	Hex Capscrew, 3/8"-16 NC x 1-1/4" long
BE	719001	Plain Washer, 3/8"
BF	720002	Lock Washer, 3/8"
BG	717003	Hex Nut, Full, 3/8"-16 NC
BH	154301	Ball Joint
BJ	720004	Lock Washer, 1/2"
BK	717008	Hex Nut, Full, 1/2"-20 NF
BL	156320	Tie Rod
BM	717016	Hex Jam Nut, 1/2"-20 NF
BN	121349	Spacer
BP	705005	Hex Capscrew, 3/8"-16 NC x 1" long
BQ	719001	Plain Washer, 3/8"
BR	717510	Hex Lock Nut, Full, 3/8"-16 NC
BS	154289	Bushing
BT	727002	Grease Fitting
BU	156005	Spindle Assembly, Left Hand
BV	725504	Key, Hi-Pro
BW	156007	Lever Assembly, Steering
BX	713006	Set Screw, 5/16"-18 NC x 1/2" long
BY	156004	Spindle Assembly, Right Hand
BZ	723011	Roll Pin
CA	156318	Steering Wheel
CB	156279	Plug Button
CC	705019	Hex Capscrew, 5/16"-18 NC x 1-1/4" long
CD	717511	Hex Lock Nut, Full, 5/16"-18 NC
CE	156179	Wheel & Tire Assembly, Front
CF	108181	Washer
CG	156183	Hub Cap Assembly
CH	715006	Set Screw, 5/16"-18 NC x 1/2" long
CJ	8161199	Washer
CK	108181	Washer
CL	8161199	Washer
CM	154368	Clip Spring
CN	156212	Wheel & Tire Assembly (DeLuxe)
CP	8021010	Set Collar
CO	156210	Hub Cap, Front

# ENGINE, PULLEY, BRAKE & CLUTCH GROUP



CT	156303	Rod Guide
CU	156134	Brake Band Assembly
CV	157088	Lock Parking Brake
CW	121037	Spring
CX	717513	Nut Hex Full
CY	156304	Rod Guide
CZ	157087	Collar Parking Brake
DA		Engine B&S Power-Kraft Model Type

756331 BELT STOP  
HELD IN PLACE BY REAR ENGINE BOLT 705018



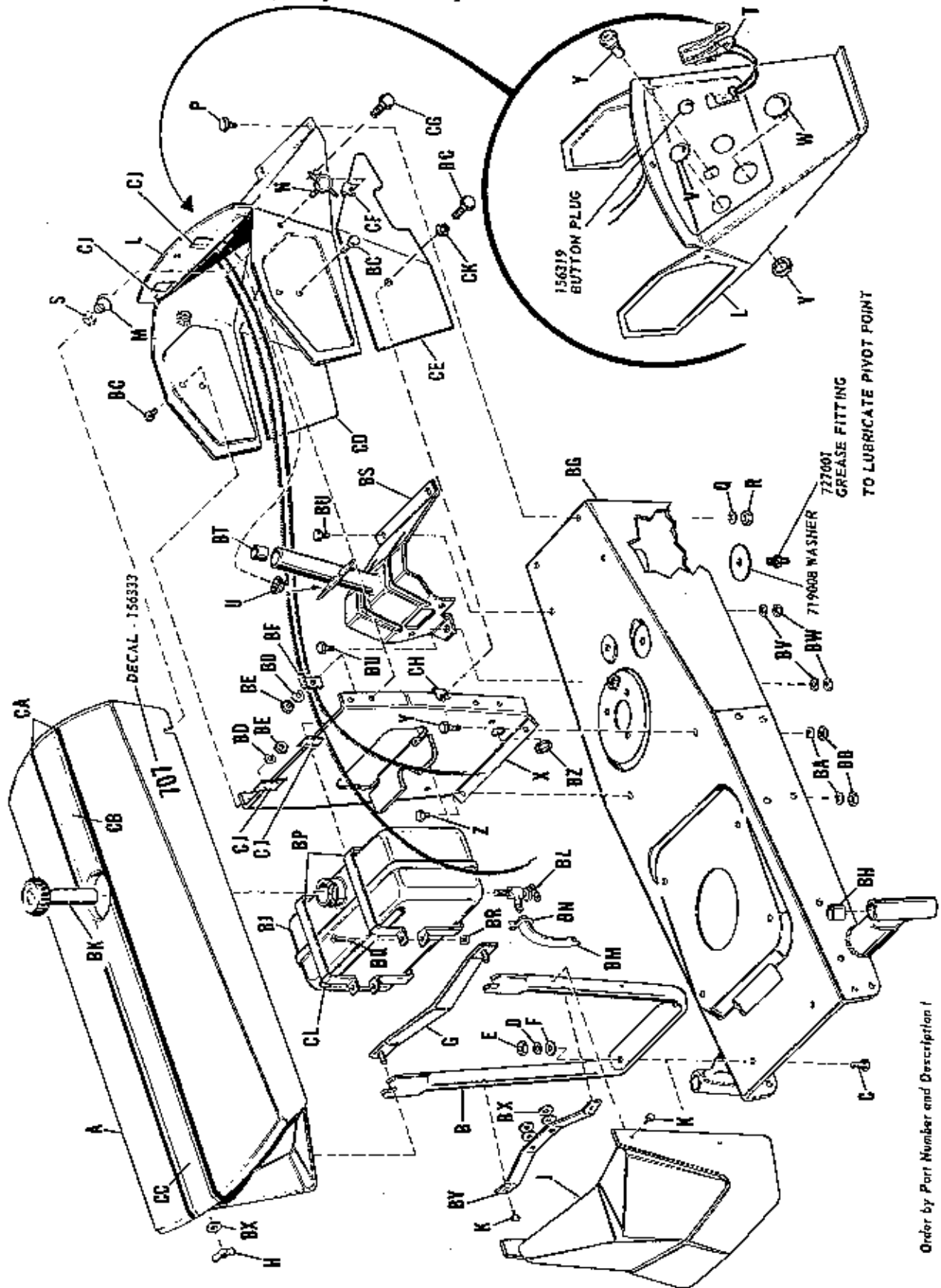
Order by Part Number and Description!



## ENGINE, PULLEY, BRAKE & CLUTCH GROUP

Reference Letter	Part Number	Description
A	156111	Engine Pulley
B	154096	Key
C	156112	Double Pulley
D	156113	Shaft & Bearing
E	156114	Snap-Ring, Internal
F	156115	Hub, Pulley Shaft & Bearing
G	713006	Set Screw, Cup Point, Square Head, 5/16-18NF x 1/2" long, SAE Grade 8
H	705012	Hex Capscrew, 5/16"-18 NC x 5/8" long
J	720001	Lock Washer, 5/16"
K	156116	Washer
L	156117	Idler Lever Assembly
M	156940	Belt Stop
N	109386	Idler Pulley
P	8191022	Collar Set
Q	705010	Hex Capscrew, 3/8"-16 NC x 1-3/4" long
R	719002	Plain Washer, 5/16"
S	720002	Lock Washer, 3/8"
T	717003	Hex Nut, Full, 3/8"-16 NC
U	8031007	Set Collar
V	713006	Set Screw, Cup Pt., Square Hd., 5/16"-18 NC x 1/2" long
W	118170	Spring
X	154117	Rod Guide Assembly
Y	717511	Hex Nut, Lock, Full, 5/16"-18 NC
Z	156118	Clutch Rod
BA	717001	Hex Nut, Full, 5/16"-18 NC
BB	722016	Cotter Pin, 3/32" x 3/4" long, w/Ext. Frong
BC	156041	Belt Stop
BD	156120	"V"-Belt ( Countershaft to Transmission )
BE	156121	Idler Lever Assembly
BF	156231	"V"-Belt ( Engine to Countershaft )
BG	719002	Plain Washer, 5/16"
BH	717510	Hex Lock Nut, Full, 3/8"-16 NC
BJ	156124	Idler Pulley
BK	713001	Screw Set 1/4" - 20 x 3/8" lg. SAE Grade 8
BL	705010	Hex Capscrew, 3/8"-16 NC x 1-3/4" long
BM	719002	Plain Washer, 5/16"
BN	720002	Lock Washer, 3/8"
BP	717003	Hex Nut, Full, 3/8"-16 NC
BQ	156302	Spring
BR	156125	Shaft Assembly, Foot Pedal
BS	156225	Cover, Foot Rest, Right Hand
BT	156226	Cover, Foot Rest, Left Hand
BU	156131	Stud, Foot Pedal Stop
BV	705005	Hex Capscrew, 3/8"-16 NC x 1" long
BW	720002	Lock Washer, 3/8"
BX	717003	Hex Nut, Full, 3/8"-16 NC
BY	157041	Spring
BZ	723011	Roll Pin, 3/16" x 1" long
CA	156132	Brake Rod
CB	8191022	Set Collar
CC	713001	Set Screw, Cup Point, Square Hd., 1/4"-20 NC x 3/8" long, SAE grade 8
CD	715031	Hex Capscrew, 1/4"-20 NC x 1/2" long
CE	720003	Lock Washer, 1/4"
CF	717005	Hex Nut, Full, 1/4"-20 NC
CG	156135	Brake Band
CH	156136	Brake Lining
CI	724501	Brass Rivet, Tubular #7 x 1/4
CK	705009	Hex Capscrew, 3/8"-16 NC x 1-1/2" long
CL	719002	Plain Washer, 5/16"
CM	720002	Lock Washer, 3/8"
CP	705019	Hex Capscrew, 5/16"-18 x 1-1/4" lg.
CQ	720001	Lock Washer, 5/16"
CR	717001	Hex Nut, Full, 5/16"-18
CS	156270	Plate

# FRAME, HOOD, DASH GROUP



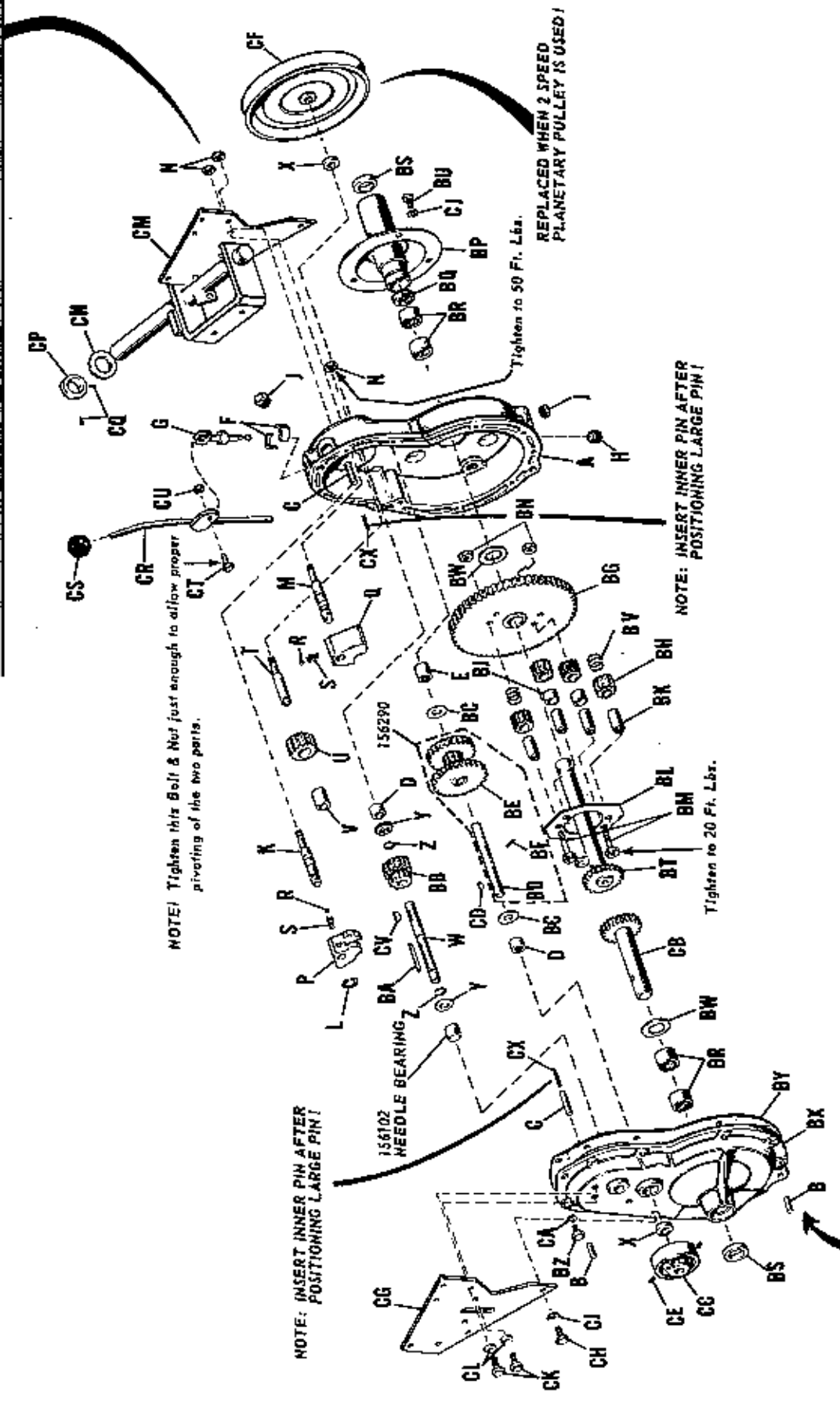
Order by Part Number and Description

## FRAME, HOOD, DASH GROUP

Reference Letter	Part Number	Description
A	156055	Hood Assembly
B	156159	Hood Support, Front
C	705001	Hex Capscrew, 5/16"-18 NC x 7/8" long
D	720001	Lock Washer, 5/16"
E	717001	Hex Nut, Full, 5/16"-18 NC
F	719002	Plain Washer, 5/16"
G	156160	Cross Bar Assembly
H	718006	Wing Nut, 5/16"-18 NC
J	156199	Grille Assembly
K	714003	Hex Screw, Recessed Head, Self Tapping, #10 x 1/2" long
L	156164	Dash Assembly
M	157127	Spring, Conical
N	156309	Handle Assy, tec
P	156168	Screw, Hex Head
Q	720001	Lock Washer, 5/16"
R	717001	Hex Nut, Full, 5/16"-18 NC
S	717511	Hex Nut, Full 5/8"-18
T	156193	Control, Dual
U	718033	Nut Wiz Lock, 5/8"-18
V	154288	Plug Button
W	156169	Plug Button
X	156061	Fuel Tank Support
Y	122048	Ignition Switch
Z	705012	Hex Capscrew, 5/16"-18 NC x 5/8" long
BA	720001	Lock Washer, 5/16"
BB	717001	Hex Nut, Full, 5/16"-18 NC
BC	705002	Hex Capscrew, 1/4"-20 NC x 1/2" long
BD	720003	Lock Washer, 1/4"
BE	717005	Hex Nut, Full, 1/4"-20 NC
BF	156042	Clamp
BG	156047	Frame Assembly
BH	154289	Bushing
BJ	156174	Fuel Tank
BK	156175	Cap, Fuel Tank
BL	156176	Shut-Off Valve
BM	156177	Fuel Hose
BN	154372	Hose Clamp
BP	156178	Tank Strap
BQ	712502	Fillister Hd. Machine Screw, 1/4"-20 NC x 1-3/4" long
BR	717028	Square Nut, 1/4"-20 NC
BS	156375	Support Assembly, Steering Post, with bearing 156374
BT	156374	Bushing
BU	705012	Hex Capscrew, 5/16"-18 NC x 5/8" long
BV	720001	Lock Washer, 5/16"
BW	717001	Hex Nut, Full, 5/16"-18 NC
BX	719006	Plain Washer, 1/4"
BY	156232	Hood Support Brace
EZ	154290	Grommet
CA	156208	Strip, Side
CB	156206	Strip, Center Rear
CC	156207	Strip, Center, Front
CD	156321	Panel, Side R H
CE	156322	Panel, Side LH
CF	718009	Tinnerman Nut
CG	714008	Self Tapping Screw
CH	718026	Tinnerman Nut
CJ	106582	Felt Strip
CK	720003	Lock Washer 1/4"
CL	156372	Dampener-Vibration

# TRANSMISSION GROUP

**CAUTION!** Do not loosen under any circumstance unless dis-assembling transmission completely!



NOTE! Tighten this Bolt & Nut just enough to allow proper pivoting of the two parts.

NOTE: INSERT INNER PIN AFTER POSITIONING LARGE PIN!

Tighten to 50 Ft. Lbs.  
REPLACED WHEN 2 SPEED PLANETARY PULLEY IS USED!

NOTE: INSERT INNER PIN AFTER POSITIONING LARGE PIN!

Tighten to 20 Ft. Lbs.

DRIVE-IN ROLL PINS BEFORE TIGHTENING FLANGE SCREWS ( for alignment )

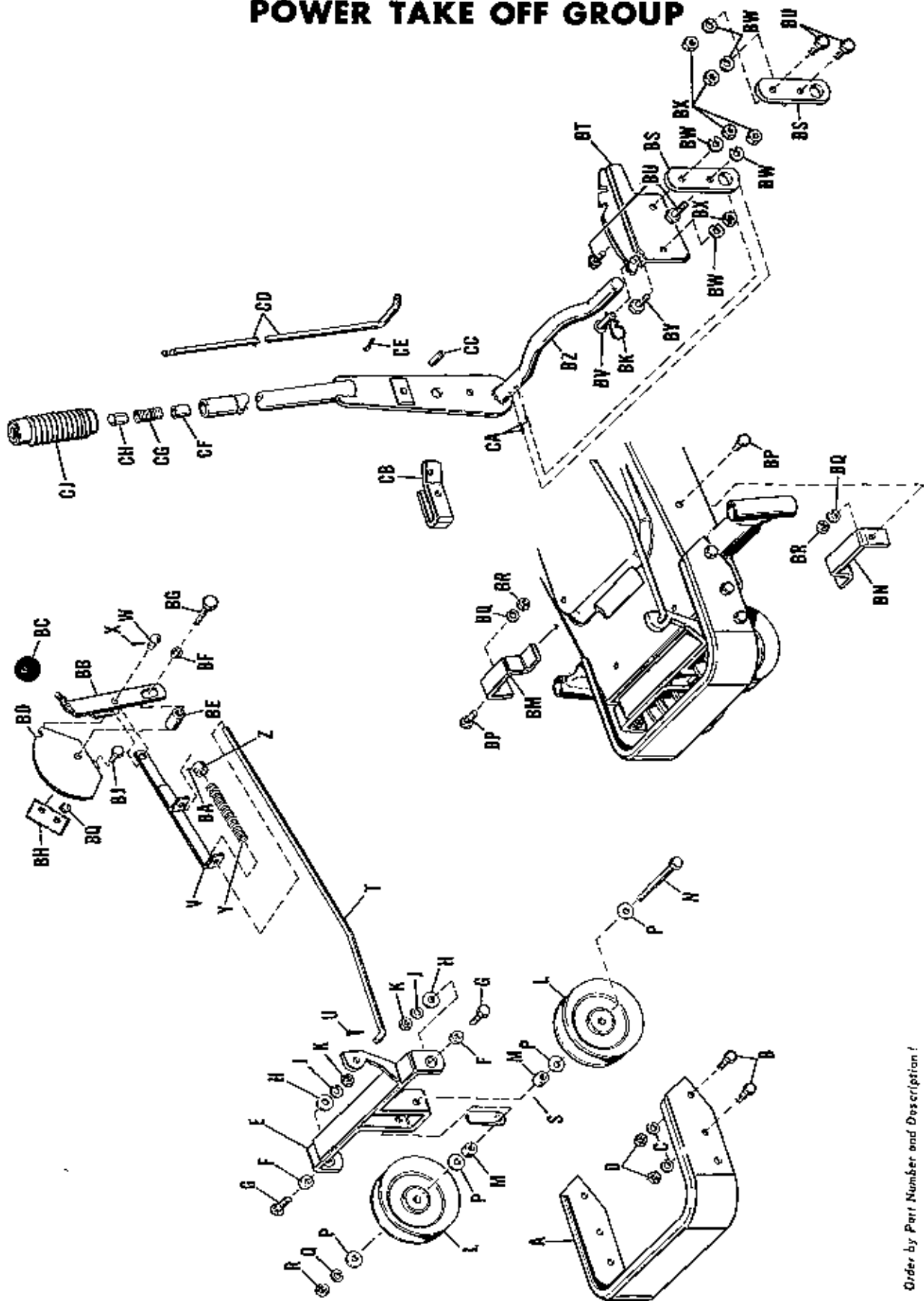
Order by Part Number and Description!

## TRANSMISSION GROUP

Reference Letter	Part Number	Description
A	156017	Gear Case w/Bearings-pins-bushings
B	723007	Roll Pin, 3/8" x 1" long
C	156308	Roll Pin, 5/16" x 1-1/2" long
D	156072	Roller Bearing
E	156073	Roller Bearing
F	101042	Bushing, Ball, Half
G	156031	Shift Rod Assembly
H	725003	Pipe Plug, 3/8"
J	726252	Pipe Plug
K	156077	Shaft, Reverse Shift
L	8061048	Retaining Ring
M	156078	Shaft, HI-LO Shift
N	717022	Hex Nut, Full, 7/16"-14 NC
P	156079	Fork, Reverse Shift
Q	156080	Fork, I & II Shift
R	154262	Ball, Shift Lock
S	154323	Spring
T	156081	Shaft, Reverse Pinion
U	156020	Pinion, Reverse
V	156082	Roller Bearing
W	156083	Pulley Shaft
X	156084	Oil Seal
Y	156085	Washer
Z	8061048	Retaining Ring
BA	156086	Key
BB	156087	Pinion Assembly, HI & LO
BC	156088	Washer
BD	156088	Brake Shaft
BE	156090	Gear Cluster Assembly
BF	156292	Dowel Pin
BG	156094	Drive Gear Assembly
BH	121311	Differential Pinion
BJ	121084	Differential Spacer
BK	121083	Spindle, Differential Pinion
BL	156002	Plate, Differential
BM	705014	Hex Capscrew, 3/8"-16 x 2-1/2" lg.
BN	717510	Hex Lock Nut, Full, 3/8"-16 NC
BP	156096	Axle Housing Assembly
BQ	156099	Oil Seal
BR	105195	Roller Bearing
BS	118118	Oil Seal
BT	156100	Axle Shaft Assembly, Right Hand
BU	705031	Hex Capscrew, 3/8"-16 NC x 7/8" long
BV	162085	Spring
BW	105083	Washer
BX	156018	Gear Case Cover
BY	156103	Gasket, Case
BZ	705019	Hex Capscrew, 5/16"-18 NC x 1-1/4" long
CA	720001	Lock Washer, 5/16"
CB	156104	Axle Shaft Assembly, Left Hand
CC	156133	Brake Drum
CD	725505	Key
CE	713503	Set Screw
CF	156119	Transmission Pulley
CG	156106	Side Plate, Transmission
CH	705004	Hex Capscrew, 3/8"-16 NC x 3/4" long
CJ	720002	Lock Washer, 3/8"
CK	705040	Hex Capscrew, 7/16"-14 NC x 3/4" long
CL	720006	Lock Washer, 7/16"
CM	156107	Side Plate Assembly
CN	105050	Washer
CP	154065	Set Collar
CQ	713006	Set Screw, Cup Point, Sq. Hd., 5/16"-18 NC x 1/2" long, SAE Grade 8
CR	156109	Shift Lever Assembly
CS	8021050	Ball, Knob
CT	705030	Hex Capscrew, 1/4"-20 NC x 3/4" long
CU	717513	Hex Lock Nut, Full, 1/4"-20 NC
CV	725504	Key
CW	156102	Roller Bearing
CX	723011	Roll Pin, 3/16" x 1" Lg.

156290 Assembly

# POWER TAKE OFF GROUP

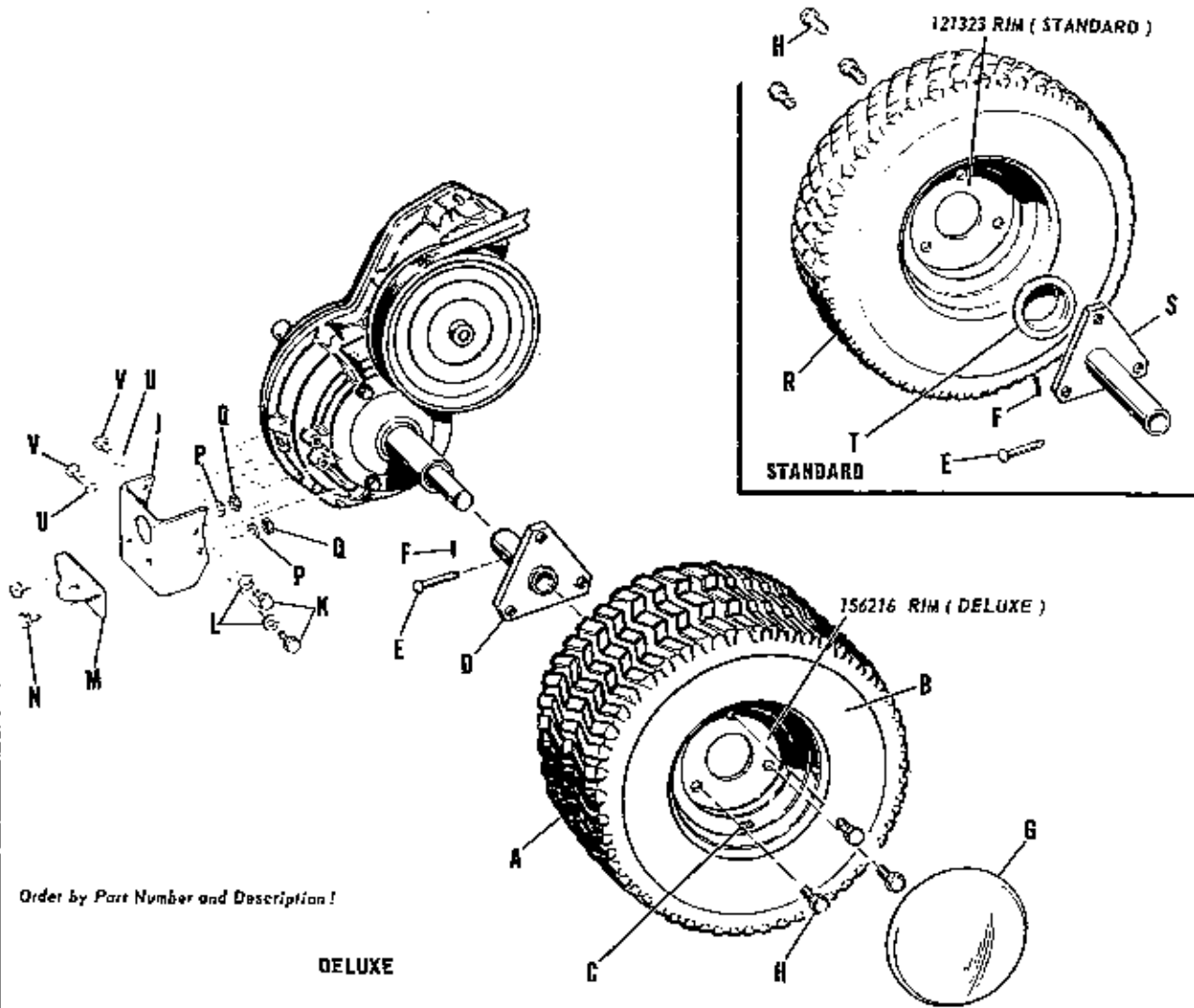


Order by Part Number and Description!

## POWER TAKE OFF GROUP

Reference Letter	Part Number	Description
A	156137	Front Bumper
B	705017	Hex Capscrew, 5/16"-18 x 3/4" long
C	720001	Lock Washer, 5/16"
D	717001	Hex Nut, Full, 5/16"-18 NC
E	156138	Pulley Clevis Assembly
F	153073	Spacer
G	705005	Hex Capscrew, 3/8"-16 NC x 1" long
H	719001	Plain Washer, 3/8"
J	720002	Lock Washer, 3/8"
K	717003	Hex Nut, Full, 3/8"-16 NC
L	101096	Idler Pulley
M	154177	Spacer
N	705059	Hex Capscrew, 3/8"-16 NC x 4-1/4" long
P	719002	Plain Washer, 5/16"
Q	720002	Lock Washer, 3/8"
R	717003	Hex Nut, Full, 3/8"-16 NC
S	156141	Pulley Stop, PTO
T	156142	Clutch Rod, PTO
U	722016	Cotter Pin
V	8081503	Guide Assembly, Idler Clutch Rod
W	156143	Rivet Pin
X	722016	Cotter Pin, 3/32" x 5/8" long, w/Ext. Prong
Y	8191045	Spring
Z	8191022	Set Collar
BA	713001	Set Screw, Cup Point, Square Head, 1/4"-20 NC x 3/8" lg.
BB	156144	Clutch Lever Assembly
BC	8021050	Ball Knob
BD	156148	Clutch Lever Quadrant
BE	156149	Spacer
BF	156150	Spacer
BG	156151	Hex Head Screw
BH	156371	Twin Nut
BJ	705012	Hex Capscrew, 5/16"-18 NC x 5/8" long
BK	8161045	Spring Clip
BM	156152	Belt Stop, Right Hand
BN	156153	Belt Stop, Left Hand
BP	705017	Hex Capscrew, 5/16"-18 NC x 3/4" long
BQ	720001	Lock Washer, 5/16"
BR	717001	Hex Nut, Full, 5/16"-18 NC
BS	156037	Bearing Bar
BT	156154	Lift Lever Quadrant
BU	705005	Hex Capscrew, 3/8"-16 NC x 1" long
BV	153058	Pin
BW	720002	Lock Washer, 3/8"
BX	717003	Hex Nut, Full, 3/8"-16 NC
BY	705004	Hex Capscrew, 3/8"-16 NC x 3/4" long
BZ	156155	Lift Lever
CA	723011	Pin, Roll, 3/16" x 1" long
CB	156222	Lift Lever Latch
CC	723007	Pin, Roll, 3/8" x 1" long
CD	156158	Rod, Lift Lever Latch
CE	722001	Cotter Pin, 3/32" x 3/4" lg., w/Ext. Prong
CF	154226	Spacer
CG	152006	Spring
CH	154227	Thumb Button
CJ	156209	Handle Grip

# REAR WHEEL & HITCH GROUP



Ref. No.	Part No.	Description
A	156313	Wheel & Tire Assembly ( DeLuxe )
B	156312	Tire ( DeLuxe )
C	156305	Valve Stem & Cap
D	156218	Hub Assembly, Wheel ( DeLuxe )
E	118053	Pin
F	722009	Cotter Pin
G	156211	Hub Cap, Rear
H	8261100	Hub Bolt
J	156191	Draw Bar Bracket
K	705004	Hex Capscrew, 3/8"-16 x 3/4" lg.
L	720002	Lock Washer, 3/8"
M	156192	Clip, Draw Bar Hitch
N	705005	Hex Capscrew, 3/8"-16 x 1" lg.
P	720002	Lock Washer, 3/8"
Q	717003	Hex Nut, Full, 3/8"-16
R	156185	Wheel & Tire Assembly ( Standard )
S	156188	Wheel Hub Assembly ( Standard )
T	121137	Hub Cap, Rear ( Standard )
U	720001	Lock Washer, 5/16"
V	705019	Capscrew, 5/16"-18 NC x 1-1/4" lg.



## BATTERY INSTRUCTIONS

With proper care this battery should give the long service life built into it.

A battery which does not function properly is not necessarily worn out or defective. It may only need a good recharge. Therefore, if battery trouble is suspected, a full recharge and test by a competent battery man is recommended.

### Putting Dry-Charged Batteries in Service

Remove wicks or tape covering from vent hole in filler caps. Make sure vent holes are open so battery gases produced when battery is charging can escape. If necessary, run a fine wire in vent hole to be sure it is open and free of all obstructions.

Fill battery with 1.265 specific gravity electrolyte or acid to proper level or  $3/16$  inch above plates and separators assuming room, battery, and electrolyte temperature is 70°-100° Fahrenheit.

Allow battery to rest for 20 minutes. Battery can then be installed but to obtain best results and maximum capacity, place battery on charge after the 20-minute setting period at 6 amperes until gravity reading is 1.265-1.275. If room, battery and electrolyte temperatures are below normal a longer charging period will be mandatory to bring the specific gravity up to 1.265-1.275.

### Warning

Under no conditions should battery be filled more than  $3/16$ " over the plates. We cannot be responsible for damages if this warning is not observed.

### Care in Service

A hydrometer test of the battery solution should be made monthly. If the specific gravity tests 1.225 or less, the battery should be removed and thoroughly recharged. At the same time the solution level should be examined and distilled water added when necessary to retain the level of  $3/16$ " over the plates. When necessary to add distilled water it should always be done just prior to recharging to mix the added water thoroughly into the solution.

When recharging is necessary and user does not have his own charging equipment, he should request service station to slow charge the battery at a rate of 4 to 6 amperes.

Any collection of grease or any other substance should be kept removed from the top of the battery and the top kept dry and clean at all times. The battery should be kept snug in its cradle and not permitted to get loose. If removed for charging, it should be fastened back in snugly enough to prevent any movement when in use. Vent caps should be kept tight and the small vent holes in top or side of cap be kept open at all times to permit escape of gases formed in the battery. Care should be exercised not to overfill the battery at any time and to always retain  $3/16$ " of solution above the plates.

### Winter Care

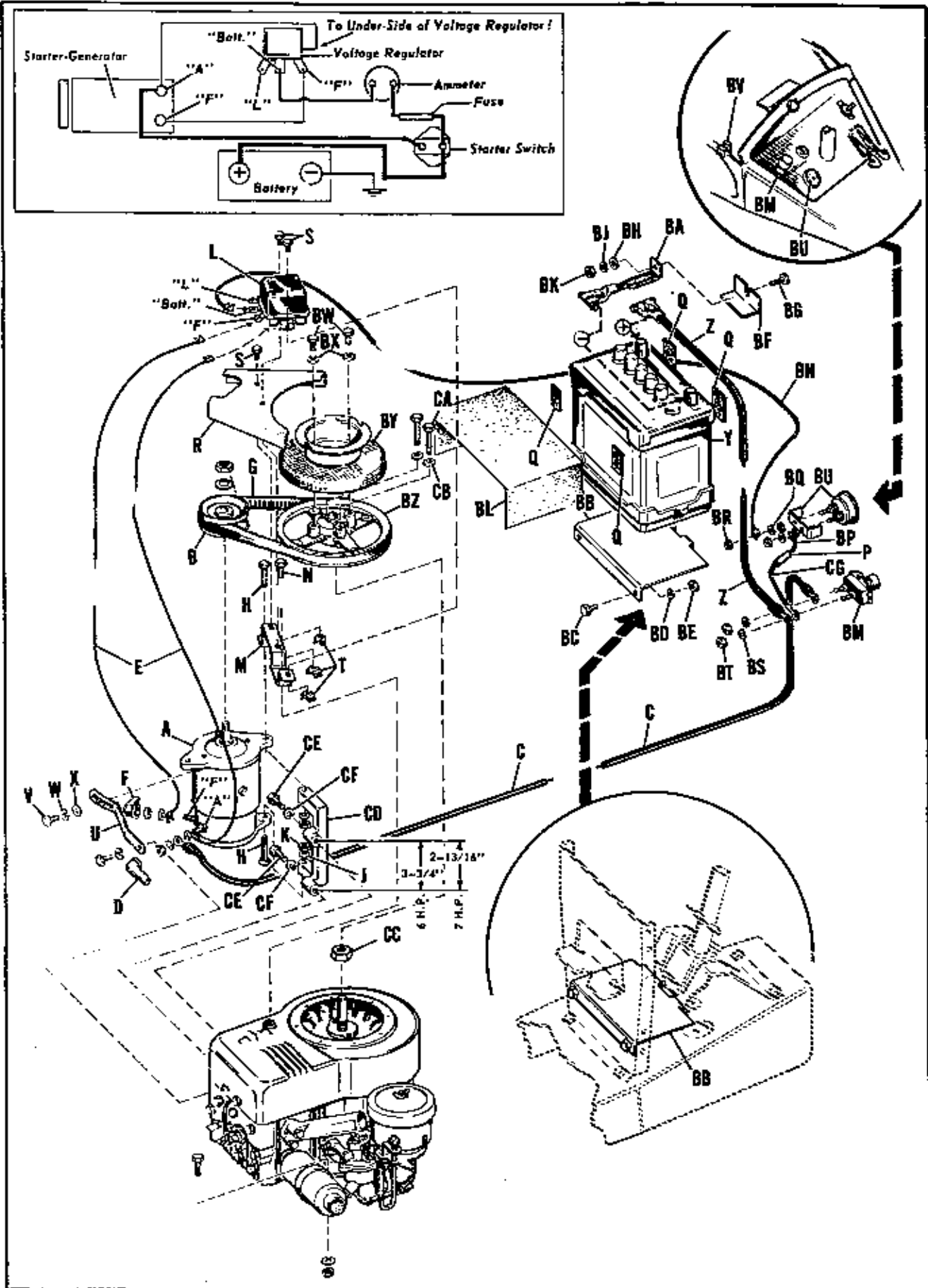
If battery will not be used during the winter months it should be removed and stored in a cool, dry place. Any collection of grease or other substance should be removed from the top of the battery.

The battery must be recharged monthly or whenever the hydrometer reads less than 1.225. Before reinstalling the battery in the spring, it should always be given a thorough recharge.

Correspondence concerning the Battery is to be addressed to:

WISCO DIVISION,  
The Electric Storage Battery Co.  
1222 18th Street  
Racine, Wisconsin

# ELECTRIC STARTER-GENERATOR SYSTEM



# PARTS LIST

Ref. Letter	Part No.	Description
A	122136	Motor-Generator
B	122132	Generator Pulley
C	122117	Cable ( Generator to Switch )
D	122023	Terminal Cover
E	122119	Wire
F	122116	Terminal Cover
G	122120	"V"-Belt
H	705023	Hex Capscrew, 5/16"-18 x 1-3/4" lg.
J	720001	Lock Washer, 5/16"
K	717001	Hex Nut, Full, 5/16"-18
L	122044	Voltage Regulator
M	122133	Regulator Bracket
N	705015	Hex Capscrew, 1/4"-20 x 5/8" lg.
P	122172	Fuse - 20 Amp
Q	106582	Felt Gasket
R	122137	Pulley Guard
S	705015	Hex Capscrew, 1/4"-20 x 5/8" lg.
T	718032	Tinnerman Nut
U	122134	Adjustment Strap
V	705017	Hex Capscrew, 5/16"-18 x 3/4" lg.
W	719002	Plain Washer, 5/16"
X	720001	Lock Washer, 5/16"
Y	122190	Battery
Z	122129	Battery Cable
BA	122130	Ground Cable
BB	156228	Battery Support
BC	705015	Hex Capscrew, 1/4"-20 x 5/8" lg.
BD	720003	Lock Washer, 1/4"
BE	717005	Hex Nut, Full, 1/4"-20
BF	156045	Battery Clamp
BG	705030	Hex Capscrew, 1/4"-20 x 3/4" lg.
BH	719006	Plain Washer, 1/4"
BJ	720003	Lock Washer, 1/4"
BK	717005	Hex Nut, Full, 1/4"-20
BL	122121	Battery Insulation
BM	122046	Starter Switch
BN	122118	Wire ( Starter Switch to Regulator )
BP	122180	Wire (fuse to Ammeter)
BQ	720002	Lock Washer, 3/8"
BR	717003	Hex Nut, Full, 3/8"-16
BS	720003	Lock Washer, 1/4"
BT	717005	Hex Nut, Full, 1/4"-20
BU	122131	Ammeter
BV	122183	Clip, Fuse
BW	705017	Hex Capscrew, 5/16"-18 x 3/4" lg.
BX	720001	Lock Washer, 5/16"
BY	122188	Pulley and Screen
BZ	122122	Pulley, Electric Starter
CA	715053	Hex Capscrew, 1/4"-20 x 2-1/4" lg.
CB	720003	Lock Washer, 1/4"
CC	122125	Flywheel Nut
CD	122126	Starter Mounting Bracket 6 HP Only ( 122189 7 HP Only )
CE	705023	Hex Capscrew, 5/16"-18 x 1-3/4" lg.
CF	720001	Lock Washer, 5/16"
CG	122181	Wire (fuse to Starter Switch)

## ATTACHMENTS AND ACCESSORIES FOR YOUR BROADMOOR

045	WEIGHT (Use on No. 300)
086	CART, dump
227	LAWN ROLLER, 36"
273	MOWER, 3 gang
298	GRADER BLADE, 40" (Use No. 300 and 2 each No. 045) (Use 2 each No. 449)
299	SNOW PLOW and DOZER BLADE, 42" (Use No. 300 and 2 each No. 045) or (Use 2 each No. 449)
300	WEIGHT, rear
301	CHAINS, tire, pair (For No. 425 or No. 424)
304	ELECTRIC STARTER KIT (For No. 424)
324	LOW SPEED PULLEY KIT (For No. 425 or No. 424)
368	LIGHT KIT, front
419	SNOW THROWER, rotary, 32" (Requires No. 324) (Use No. 300 and 2 each No. 045) or (Use 2 each No. 449)
422	MOWER, rotary, 36"
443	VACUUM COLLECTOR (Requires No. 422, No. 085, No. 444) (No. 447 optional)
444	VACUUM COLLECTOR ADAPTER (For 36" Rotary Mower)
447	ROVING NOZZLE, (For No. 443)
448	WEED and BRUSH CUTTER, 40"
449	WEIGHTS, wheel
450	MULCHER, Leaf (Use with No. 422)
466	WEIGHT, front (Use on No. 424 or No. 425)