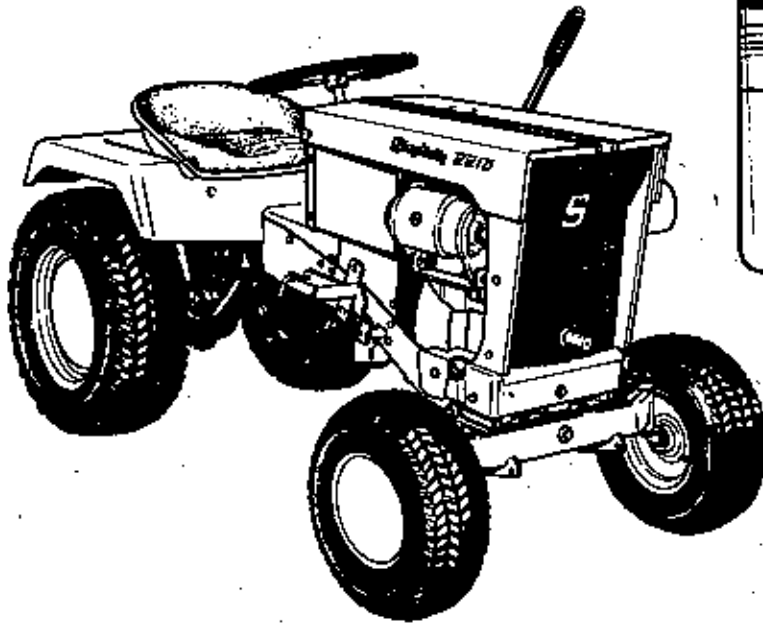
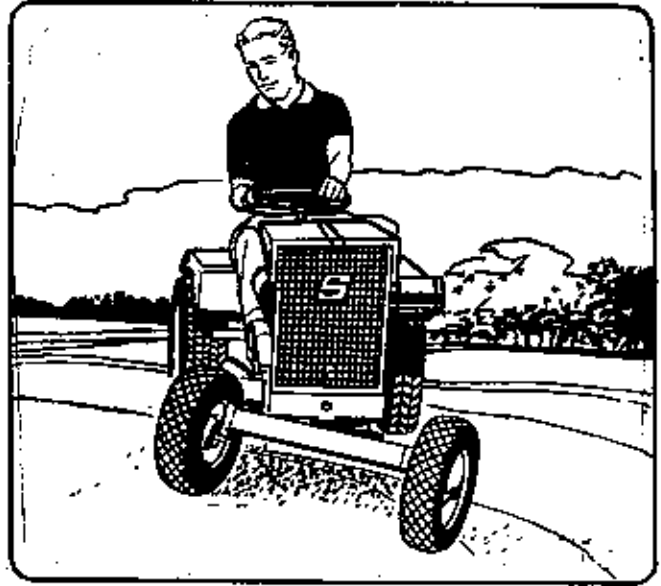


Simplicity



Mfrs. No. 496 -2210 MANUAL LIFT
Mfrs. No. 497 -2210 POWER LIFT

LANDLORD
RIDING TRACTORS



2345678910

1610 #

SIMPLICITY MANUFACTURING COMPANY, INC.

MADE IN U.S.A.

Should warranty service be necessary, the information below should be presented to the authorized SIMPLICITY Dealer.

Customer's Name _____

Address _____

Mfg. No. _____ Serial No. _____

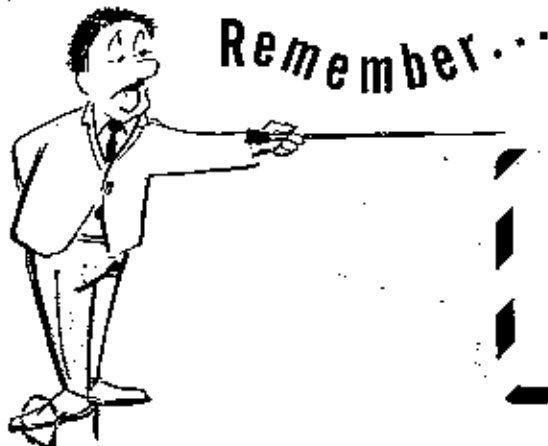
Date Purchased _____

Purchased From _____

Address _____

Engine Model No. _____ Serial No. _____ Type No. _____

To obtain replacement parts from dealer, advise quantity, part number and description.



FOR YOUR SAFETY

1. ALWAYS STOP ENGINE BEFORE LEAVING MACHINE
2. ALWAYS STOP ENGINE BEFORE SERVICING OR ADJUSTING MACHINE OR EQUIPMENT
3. ALWAYS KEEP HANDS, FEET AND CLOTHING AWAY FROM POWER-DRIVEN PARTS

PACKING

This tractor is delivered complete in one carton. The carton contains:

- 1 - Tractor Assembly
- 1 - Hood Assembly
- 1 - Steering Wheel (secured to side of tractor)
- 1 - Hardware Pack

Should any shortages of the above items occur, advise by stating packers number listed on green packing slip, serial number of tractor, part number and description of items missing.

ASSEMBLY

REAR LIFT GROUP

The Rear Lift Group is to be installed in the following manner:

1. Remove 3 hex capscrews from left side of tractor as shown in Figure 1.
2. Swing hitch member outward and install lift assembly as shown. Return hitch member to original position and replace hex capscrews. See Figure 2.
3. Insert right end of lift assembly into hole in right hitch member and position lift assembly so that collar is flush against right hitch member. Position collar on left side of lift assembly so it is flush against left hitch member. Tighten socket head setscrew with Allen wrench. See Figure 3.
4. Connect lift assembly to rear lift group. Secure with cotter pin. See Figure 3.
5. Adjust rear lift rod so that there is clearance between the gear case and the lift assembly when the lift lever is in the forward, latched position. Also adjust rod so that the lift assembly will strike the gear case before the lift lever strikes the cleaner on engine when lift lever overtravels forward.

BATTERY

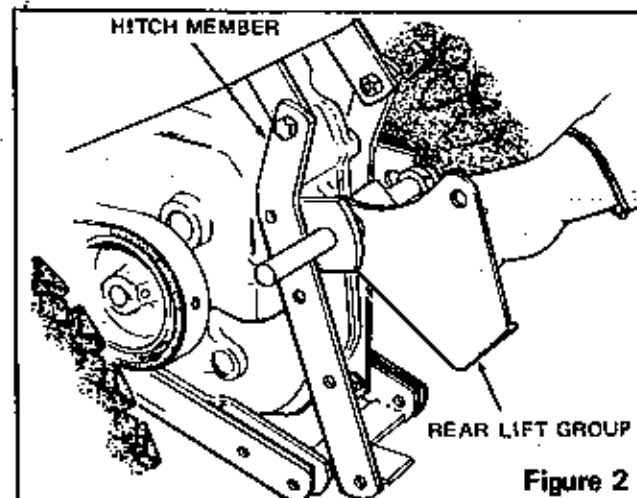
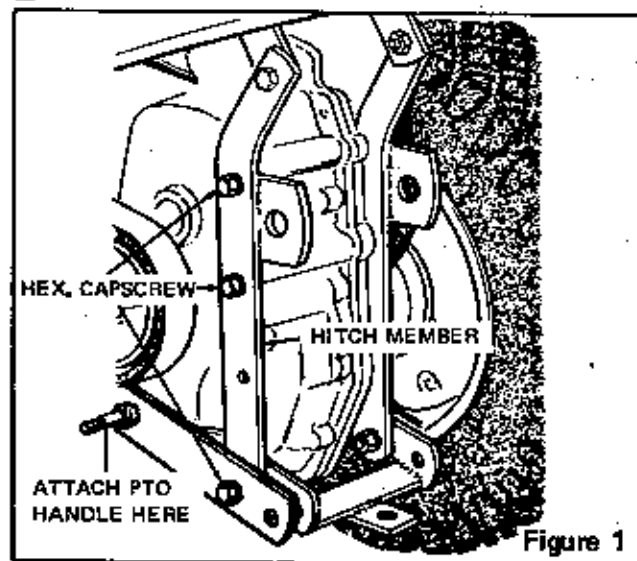
Remove battery from tractor. Service as stated in the battery instructions. Replace and secure battery in tractor.

STEERING WHEEL

Remove steering wheel from side of tractor. Assemble steering wheel on the steering shaft using the woodruff key and setscrew which is provided in the hardware pack. Assemble steering cap over hub of steering wheel.

HOOD

Remove the hood assembly from its container. Mount hood on the tractor using the (4) thumb screws provided in the hardware pack.



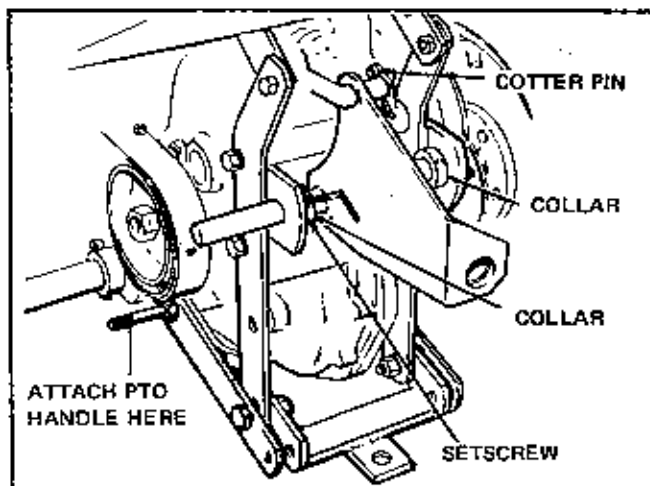


Figure 3

ENGINE LUBRICATION

Service air cleaner and crankcase as recommended in Engine Service Manual. Be sure air cleaner is maintained in clean condition. Never use oil in crankcase for more than 25 hours of operation. See Figure 11. **CLEAN AIR AND CLEAN ENGINE OIL WILL GIVE LONG TROUBLE FREE OPERATION. DIRT WILL RUIN YOUR ENGINE IN A SHORT TIME.** A funnel and extension are included with the tractor for use in changing oil.

The bevel gear housing has a capacity of one pint of SAE 90 oil and is filled at the factory. It will not normally require replenishment, but occasionally check drain plug for tightness and oil seals for leakage. Keep oil up to lever of filler plug. See Figure 8.

TRACTOR LUBRICATION

The tractor has a total of 3 grease fittings which require lubrication with general purpose automotive grease. Use a standard grease gun for the following fittings:

- (2) Front Spindles - Figure 4
- (1) Rear Axle Tube - Figure 7

Before lubricating, wipe each grease fitting with a rag to prevent grit and dirt from being carried into bearings with new grease.

The transmission has a capacity of 1-1/2 qt. of SAE 90 oil and is filled at the factory. It will not normally require replenishment, but occasionally check drain plug for tightness and axle tube oil seals for leakage. Maintain oil level at lower edge of filler plug hole. Remove vent plug from top of transmission and allow oil to settle to normal level before checking. See Figure 7.

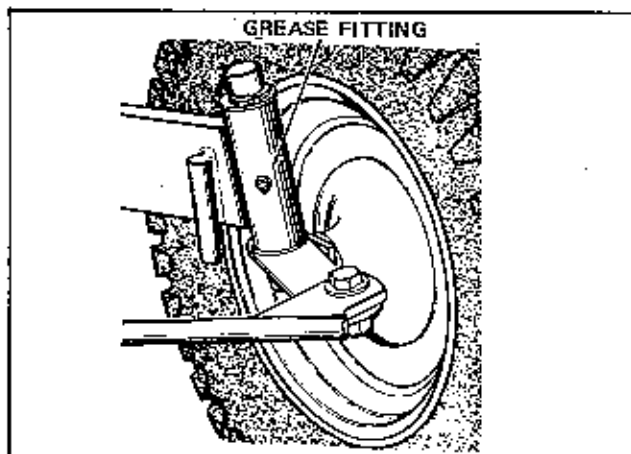


Figure 4

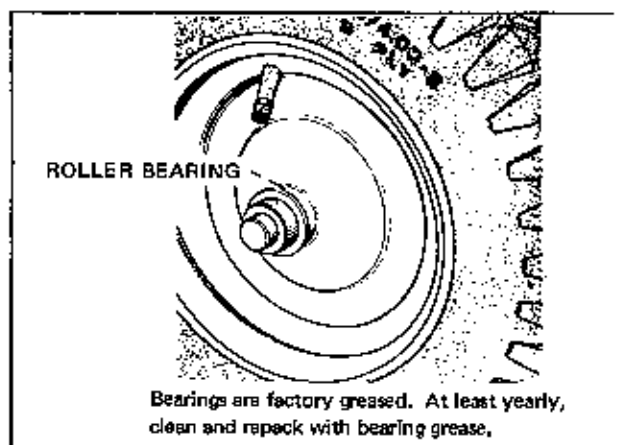


Figure 5

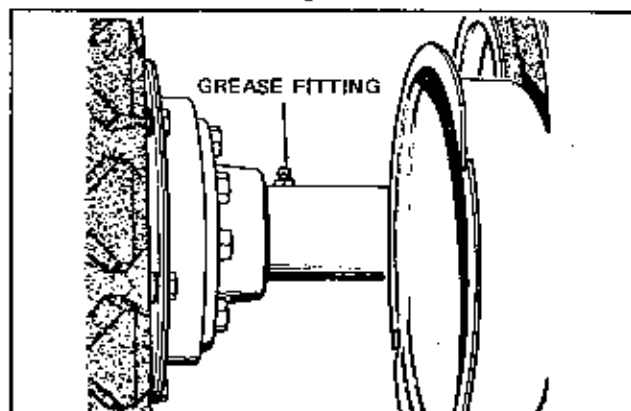


Figure 6

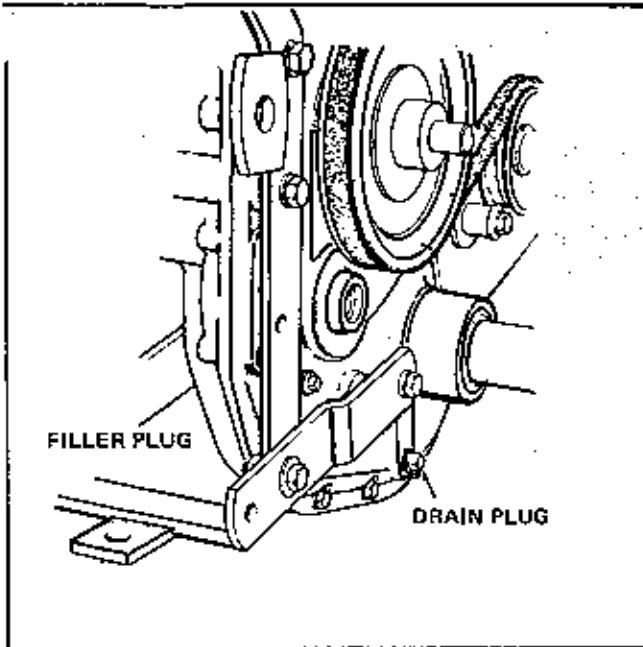


Figure 7

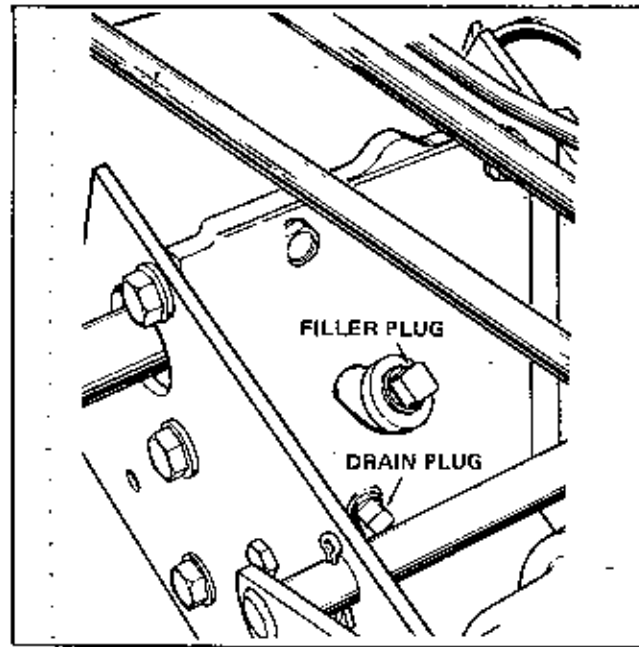


Figure 8

TARTING ENGINE

1. Place gear shift lever in neutral position. See Figure 9. (Be sure tractor is on level ground and will not roll away in neutral. Apply parking brake).

2. Pull choke knob out. See Figures 9 & 10.

3. Set throttle lever in mid position and turn ignition key clockwise to start engine and release. See Figure 9. As engine warms up, push choke knob in. Pull throttle knob out to desired position and turn to lock.

TO STOP ENGINE

With clutch disengaged, place gear shift in any gear and turn ignition key counterclockwise to vertical (Off) position. Engage clutch to hold tractor in parked position and remove ignition key for safekeeping. Apply parking brake.

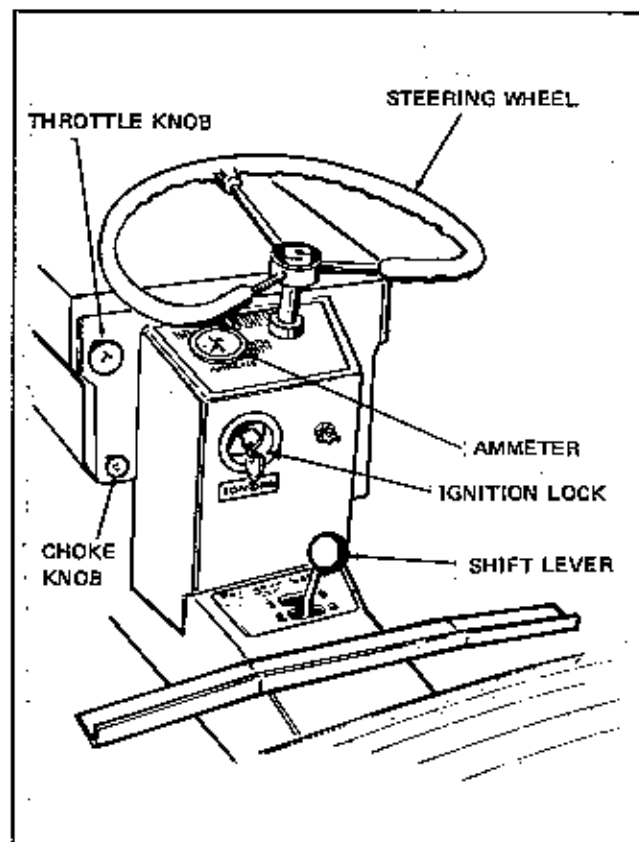


Figure 9

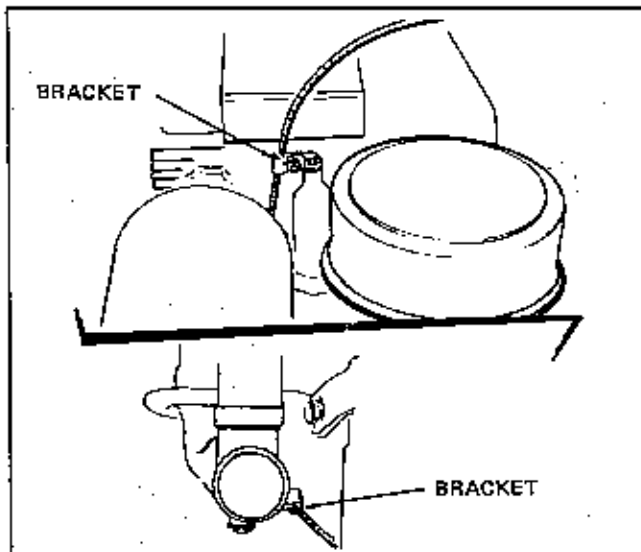


Figure 10

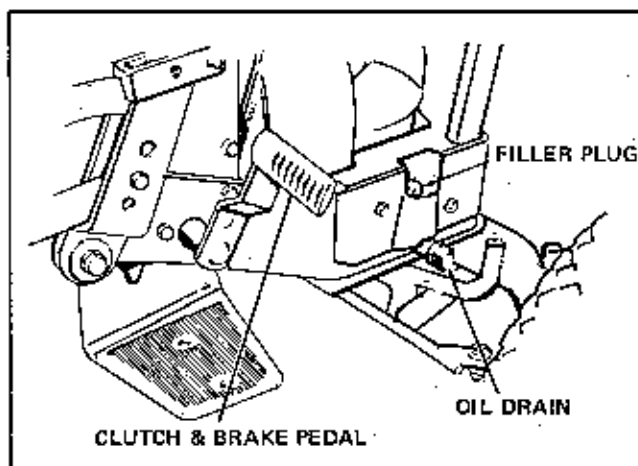


Figure 11

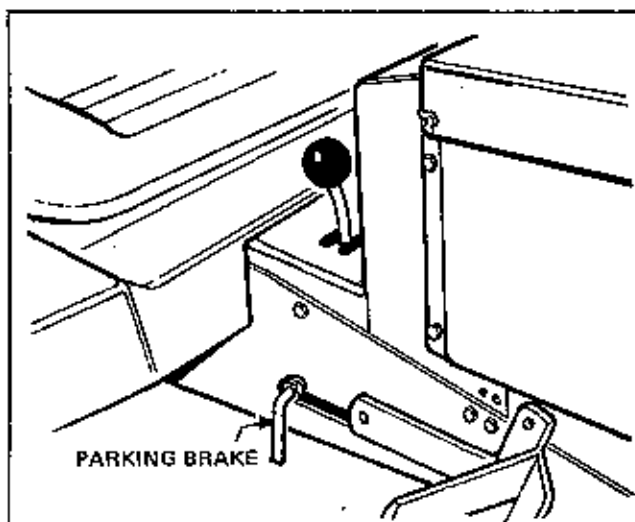


Figure 12

OPERATION OF TRACTOR

To place gear shift in desired gear range, depress the combination brake and clutch pedal located on right hand side of tractor. See Figure 11. When pedal is depressed, move shift lever to desired position (See Figure 9) and gradually release pedal until clutch is engaged. When shifting from one range to another, pause briefly in neutral before completing shift. Set throttle lever to obtain desired speed. See Figure 9.

PARKING BRAKE

To operate the parking brake, hold the brake pedal depressed and slide the parking brake lever all the way to the rear of its slot and turn the lever in a clockwise direction until it is tight. Refer to Figure 12.

To release the parking brake, turn the parking brake lever in a counterclockwise direction until the brake pedal is released.

CLUTCH ADJUSTMENT

Position the locknuts to leave a space of about $11/16''$ between them and the end of the rod guide.

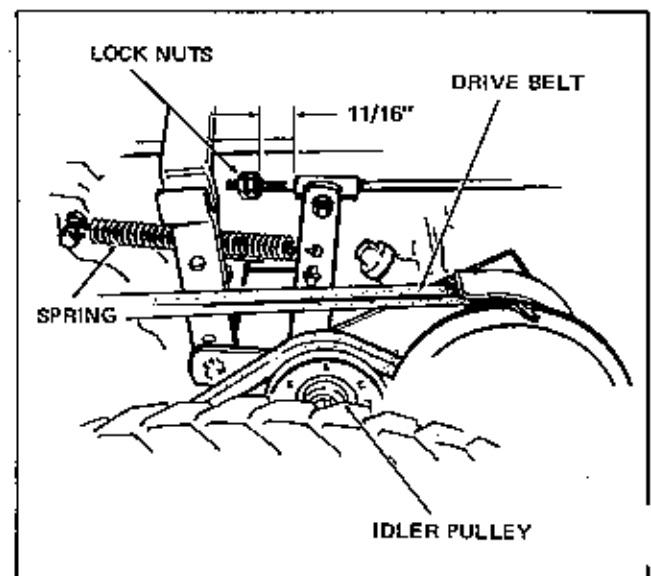


Figure 13

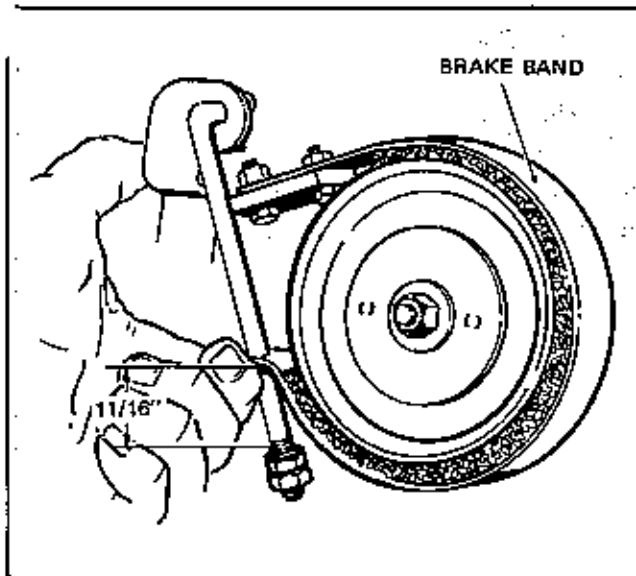


Figure 14

BRAKE ADJUSTMENT

Pull the brake band up by hand so that it is tight around the brake drum. Adjust the nut to give clearance of about $11/16''$ between the brake band and nut. Then check to see that the idler pulley releases the belt properly before the brake is applied. If the brake does not hold properly when the pedal is pushed all the way forward, reduce slightly the spacing between the nut and the brake band. Now recheck the clutch rod adjustment for proper idler release. Refer to Figure 14.

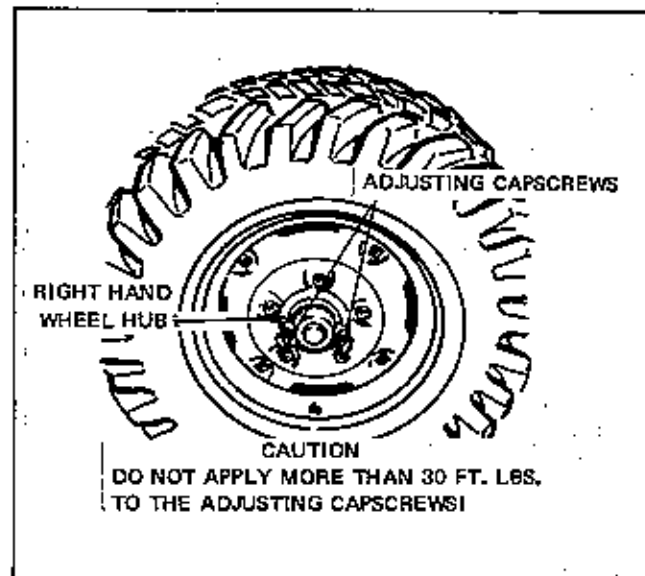


Figure 15

DIFFERENTIAL

The tractor is equipped with a controlled traction differential. Tightening the hex head cap screws in the right hand wheel hub (See Figure 15), provides pressure against a nylon plug and sleeve around the tractor axle and prevents excessive wheel slippage when the tractor is being used under abnormal conditions. The adjusting cap screws are set at the factory to a torque of 25 ft. lbs. As the nylon sets itself through use, it may be necessary to readjust the cap screws a few times to maintain 25 ft. lbs. of torque (25 lbs. weight on wrench 1 ft. long).

POWER TAKE-OFF

LUBRICATION

The power take-off is lubricated by means of one grease fitting located on the bottom front of the drive bracket assembly. Occasionally apply grease by means of a standard grease gun loaded with automotive type grease. Be sure to wipe dirt and grit from grease fitting before applying grease. Lubricate all pivot points and idler pulley bearings with SAE 20 oil every few hours of operation.

OPERATION

Operation of the power take-off is controlled by movement of the clutch lever assembly. See Figure 16. When the clutch lever is in the forward raised position, the clutch rod releases the tension holding the idler pulley against the drive belt and power will not be transmitted to the driven pulley of the power take-off assembly. When the clutch lever is in the back, depressed position, the clutch rod applies tension to the idler pulley and as the idler pulley takes up the slack in the drive belt, power is transmitted from the drive pulley on bevel gear box shaft to the driven pulley of the power take-off. Figure 16 shows clutch lever in drive position.

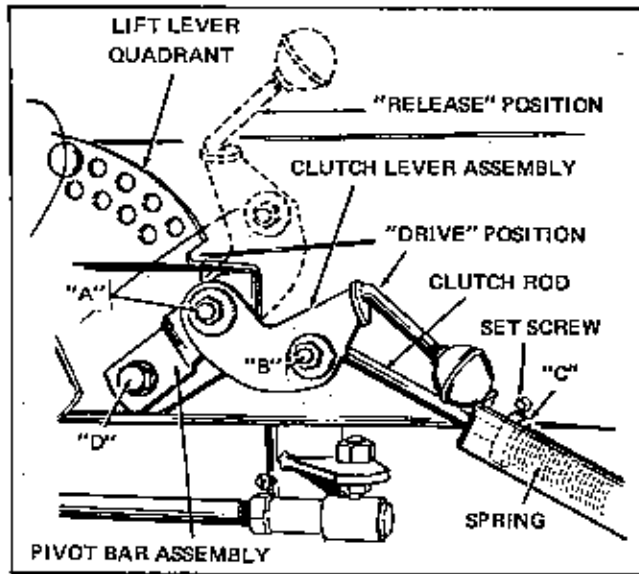


Figure 16

ADJUSTMENT

At points "A" and "B" of Figure 16, check tightness of hex nut to be sure that clutch lever assembly and clutch rod are free to pivot without binding.

Place clutch lever in "Drive" position and observe clearance between collar "C" (Figure 16) and end of bracket. When implement is attached to tractor, this clearance should normally be approximately $\frac{3}{4}$ ". At this setting the idler pulley should be snugly against the drive belt. If additional tension is required, release clutch lever and loosen set-screw on collar and slide collar farther back on clutch rod. Retighten setscrew in collar and put clutch lever in "Drive" position. Recheck clearance. The tension of the idler pulley against the drive belt must be sufficient to operate whichever tractor attachment is being used. Any additional tension is unnecessary and will only cause premature failure of belts and idler pulley bearings.

TIRES

The tires of the tractor are inflated with air pressure in excess of the normal amount for shipment. For comfort of operation, release some of the pressure until a pressure of 10 lbs. per square inch is attained for Front Tires and 7 lbs. per square inch is attained for Rear Tires. Maintain tires at these pressures.

OPERATION — POWER LIFT KIT

The Power Lift Kit which is an optional feature on the Landlord & Sovereign Tractors is used to raise and lower various attachments with finger-tip pressure applied to the control lever.

To raise a front mounted attachment, pull the power lift lever backward. When the desired height is reached, release the lever and it will return to the "hold" position. To lower a front mounted attachment, push the lever to the front, then release when desired depth is reached.

A rear mounted attachment is raised by pushing forward on the lever and is lowered by pulling the lever backward.

The index tabs at each end of the quadrant serve as lock points for the "float" position which allows an attachment such as a dozer blade, grader blade or snow thrower to follow ground contour freely.

NOTE

The Rear Mounted Tiller Attachment should be operated only in the rear "float" position. Do not operate the tiller in the "hold" position, as difficulty will result if an obstacle is encountered. This would raise the rear wheels off the ground and propel the tractor forward at a dangerous rate. To get in or out of either "float" position, squeeze the release bar handle upward to clear the index tab.

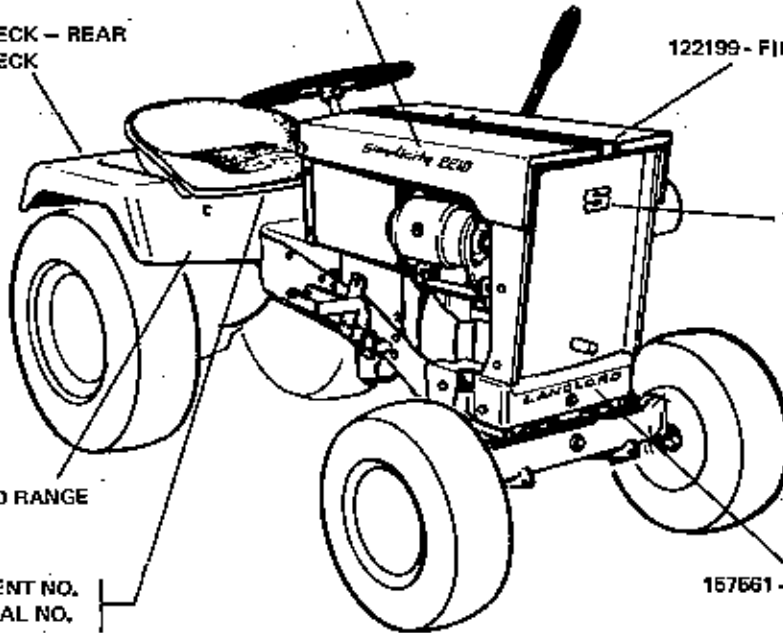
Front mounted attachments such as the snow thrower and dozer blade may be operated with the power lift lever in the "hold" position. However, downward pressure will be exerted on the attachment thus preventing the snow thrower or blade from following the contour of the ground.

DECALS

164257 - SIMPLICITY - NO. 2210 FILM

164138 - FILM, SEAT DECK - REAR
164139 - FILM, SEAT DECK

122199 - FILM SIMPLICITY (BATTERY)



164137 - EMBLEM "S"

122191 - DECAL, SPEED RANGE

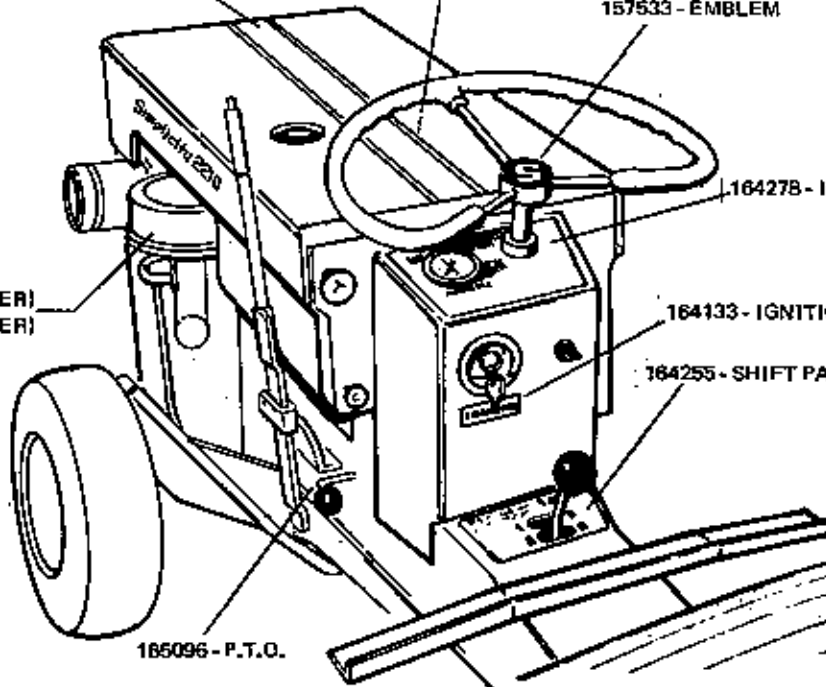
157661 - FILM LANDLORD

122195 - PLATE, PATENT NO.
164253 - PLATE, SERIAL NO.

164129 - HOOD STRIP

157096 - CAUTION DECAL (FUEL TANK)

157533 - EMBLEM



164278 - INSTRUMENT PANEL

157185 - FILM (AIR CLEANER)
167131 - FILM (AIR CLEANER)

164133 - IGNITION

164255 - SHIFT PATTERN & SAFETY

165096 - P.T.O.

ENGINE AND DRIVE SHAFT

FOR MODEL 2210

ORDER BY PART NUMBER

Ref. Let.	Part No.	Description
A		Engine, Briggs & Stratton Model 243431, Type 0123
B	157144	Stop Axle
C	719002	Plain Washer, 5/16"
D	705010	Hex. Cap Screw, 3/8"-16 x 1-3/4" lg.
E	157556	Screw Assembly, Engine, L.H. Rear
F	720002	Lock Washer, 3/8"
G	717003	Full Hex. Nut, 3/8"-16
H	157316	Fuel Hose (Flexible)
J	154327	Crankshaft Extension Guard
K	157305	Engine Pulley
L	720001	Lock Washer, 5/16"
M	715068	Hex. Cap Screw, 5/16"-18 x 2" lg.
N	157422	Coupling
P	157424	Special Washer
Q	720002	Lock Washer, 3/8"
R	717003	Full Hex. Nut, 3/8"-16
S	705016	Hex. Cap Screw, 3/8"-16 x 1-1/4" lg.
T	705006	Hex. Hd. Capscrew, 3/8"-16 x 2" lg.
U	720002	Lock Washer, 3/8"
V	719001	Plain Washer, 3/8"
W	157016	Drive Shaft Assembly
X	705016	Hex. Cap Screw, 3/8"-16 x 1-1/4" lg.
Y	157424	Special Washer
Z	720002	Lock Washer, 3/8"
AA	717003	Full Hex. Nut, 3/8"-16
AB	705016	Hex. Cap Screw, 3/8"-16 x 1-1/4"
AC	720002	Lock Washer, 3/8"
AD	157427	Key
AE	154198	Drive Shaft Flange
AF	715049	Cup Point Socket Head Set Screw, 3/8"-24 x 5/8"
AG	157096	Decal (CAUTION)
AH	157497	Pipe Nipple, 3/8" x 1"lg.
AJ	726501	Pipe Cap, 3/8"
AK	157634	Exhaust Muffler
AL	157099	Flywheel Shroud
AM	157308	Engine Screen
AN	157306	Shroud
AP	705002	Hex. Cap Screw, 1/4"-20 x 1/2"
AQ	720003	Lock Washer, 1/4"
AR	156176	Shut-Off Valve
AS	157006	Fuel Tank
AT	156175	Fuel Tank Cap
AU	705053	Hex. Hd. Capscrew, 1/4"-20 x 1-3/4"
AV	717005	Full Hex. Nut, 1/4"-20
AW	162080	Tank Strap
AX	705006	Hex. Hd. Capscrew, 3/8"-16 x 2" lg.
AY	157081	Spacer
AZ	157126	Air Cleaner Spacer
BA	715018	Hex. Hd. Capscrew, 1/4"-20 x 5/8"
BB	719006	Plain Washer, 1/4"
BC	720003	Lock Washer, 1/4"
BD	157355	Flywheel Spacer
BE	157307	Drive Hub
BF	154378	Nut
BG	154372	Hose Clamp (FOR SERVICE ONLY)
BH	157185	Film (AIR CLEANER)
BJ	157181	Film (AIR CLEANER)

FRAME, HOOD, GRILL, & INST. PANEL

ORDER BY PART NUMBER

FOR MODEL 2210

Ref. Let.	Part No.	Description
A	164003	Support Assembly, Fuel Tank & Battery
E	157077	Steering Bushing
C	705019	Hex. Cap Screw, 5/16"-18 x 1-1/4"
L	717511	Full Lock Hex. Nut, 5/16"-18
E	717001	Full Hex. Nut, 5/16"-18
F	720001	Lock Washer, 5/16"
G	705012	Hex. Cap Screw, 5/16"-18 x 5/8"
H	164014	R. H. Side Panel
J	164013	L. H. Side Panel
K	718032	Nut Retainer
L	718043	Nut Retainer
M	715018	Hex. Cap Screw, 1/4"-20 x 5/8"
N	164259	Inst. Panel Assembly
P	718032	Nut Retainer (Frame Cover)
Q	715018	Hex. Cap Screw, 1/4"-20 x 5/8"
R	720003	Lock Washer, 1/4"
S	717005	Full Hex. Nut, 1/4"-20
T	164010	Frame Assembly
U	720006	Lock Washer, 7/16"
V	705039	Hex. Cap Screw, 7/16"-14 x 1-1/2"
W	157057	Base Weight
X	157060	Front Support, 1-3/4" x 2-1/2" x 8-5/8"
Y	157482	Angle Assembly (Frame Rear)
Z	715080	Hex. Cap Screw, 7/16"-14 x 1-1/2"
AA	720006	Lock Washer, 7/16"
AB	717022	Full Hex. Nut, 7/16"-14
AC	706003	Hex. Cap Screw, 7/16"-20 x 1-1/2"
AD	157065	Foot Rest
AE	157090	L. H. Foot Rest Pad
AF	157089	R. H. Foot Rest Pad
AG	705004	Hex. Cap Screw, 3/8"-16 x 3/4"
AH	720002	Lock Washer, 3/8"
AJ	717003	Full Hex. Nut, 3/8"-16
AK	164008	Cover & Tube Assembly
AL	718022	Retainer Nut (Front)
AM	718030	Retainer Nut (Rear)
AP	715082	Nut-hex.-Whiz-Lock Flange, 5/16-18 x 3/4"
AQ	157488	Bracket Assembly
AR	719002	Plain Washer, 5/16"
AS	720001	Lock Washer, 5/16"
AT	705019	Hex. Cap Screw, 5/16"-18 x 1-1/4"
AU	720001	Lock Washer, 5/16"
AV	705018	Hex. Cap Screw, 5/16"-18 x 1-1/2"
AW	164009	Grille
AX	122195	Clamp
AY	714003	Self Tapping Screw, #810 x 1/2"
AZ	164028	R. H. Side Plate
BA	164027	L. H. Side Plate
BB	714005	Self-Tapping Screw #10-24 x 1/2"lg.
BC	714003	Self Tapping Screw, #10 x 1/2"
BD	164011	Hood
BE	718041	Nut Retainer (Rear)
BF	718024	Nut Retainer (Front)
BG	715037	Thumb Screw
BH	164120	Felt Pad
BJ	164121	Felt Pad
BK	164054	Shifter Rod Assembly
BL	8021050	Ball
BN	705018	Hex. Cap Screw, 5/16"-18 x 1-1/2"
BN	720001	Lock Washer, 5/16"
BP	717001	Full Hex. Nut, 5/16"-18
BQ	157020	Shift Rod Guide Assembly
BR	718032	Retainer Nut
BS	720003	Lock Washer, 1/4"
BT	164129	Hood Strip
BU	715018	Hex. Cap Screw, 1/4"-20 x 5/8"
BV	164042	Throttle Control

FRAME, HOOD, GRILL, & INS. PANEL (cont.)

ORDER BY PART NUMBER

FOR MODEL 2210

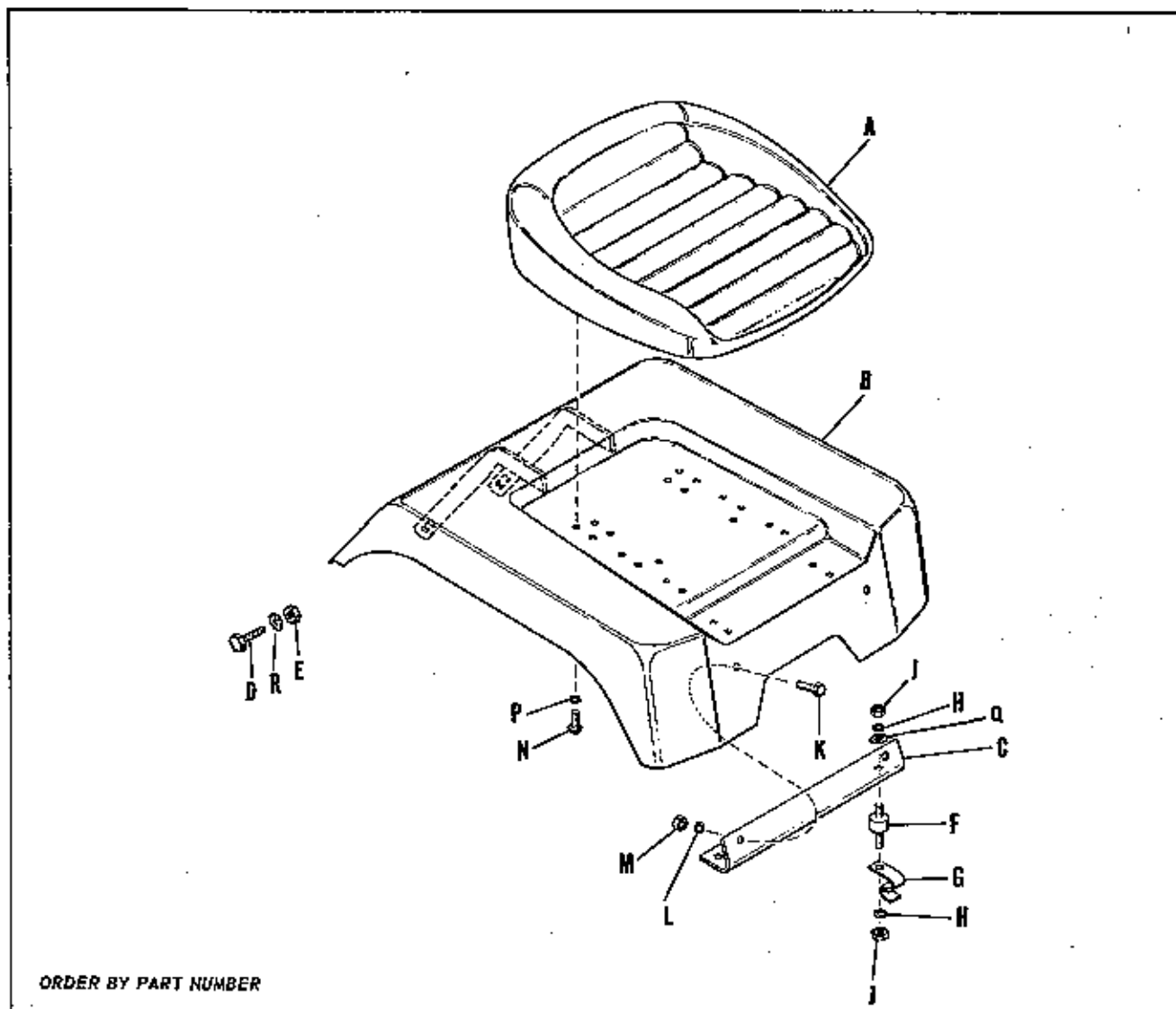
Ref. Let.	Part No.	Description
BW	164019	Choke Control
BX	158475	Bowden Wire Clip
BY	157315	Throttle Cable Bracket
BZ	714021	Self Tapping Screw, 1/4"-20 x 5/8"
CA	122186	Clamp
CB	705015	Hex. Cap Screw, 1/4"-20 x 5/8"
CC	720003	Lock Washer, 1/4"
CD	719006	Plain Washer, 1/4"
CE	717005	Full Hex. Nut, 1/4"-20
CF	717007	Full Hex. Nut, #10-32
CG	710004	Mach. Rd. Hd. Screw, #10-32 x 3/8"
CH	714005	Self Tapping Rd. Hd. Screw, #10-24 x 1/2"
CJ	720003	Lock Washer
CK	164257	Simplicity & No. 2210 Film
CL	164135	Plate, Assy.,
CM	164137	Emblem "S"
CN	720007	Washer Lock
CP	717023	Hex Nut #10-24
CQ	164191	Plug Button
CR	156279	Plug Button

DECALS

164255	Film, Shift Pattern
164133	Film, Ignition
164278	Film, Instrument Panel
157561	Film, Emblem, Landlord
165096	Film, P.T.O.
121191	Decal, Speed Range
121195	Plate, Patent No.
164253	Plate, Serial No.

SEAT AND FENDERS

FOR MODEL 2210

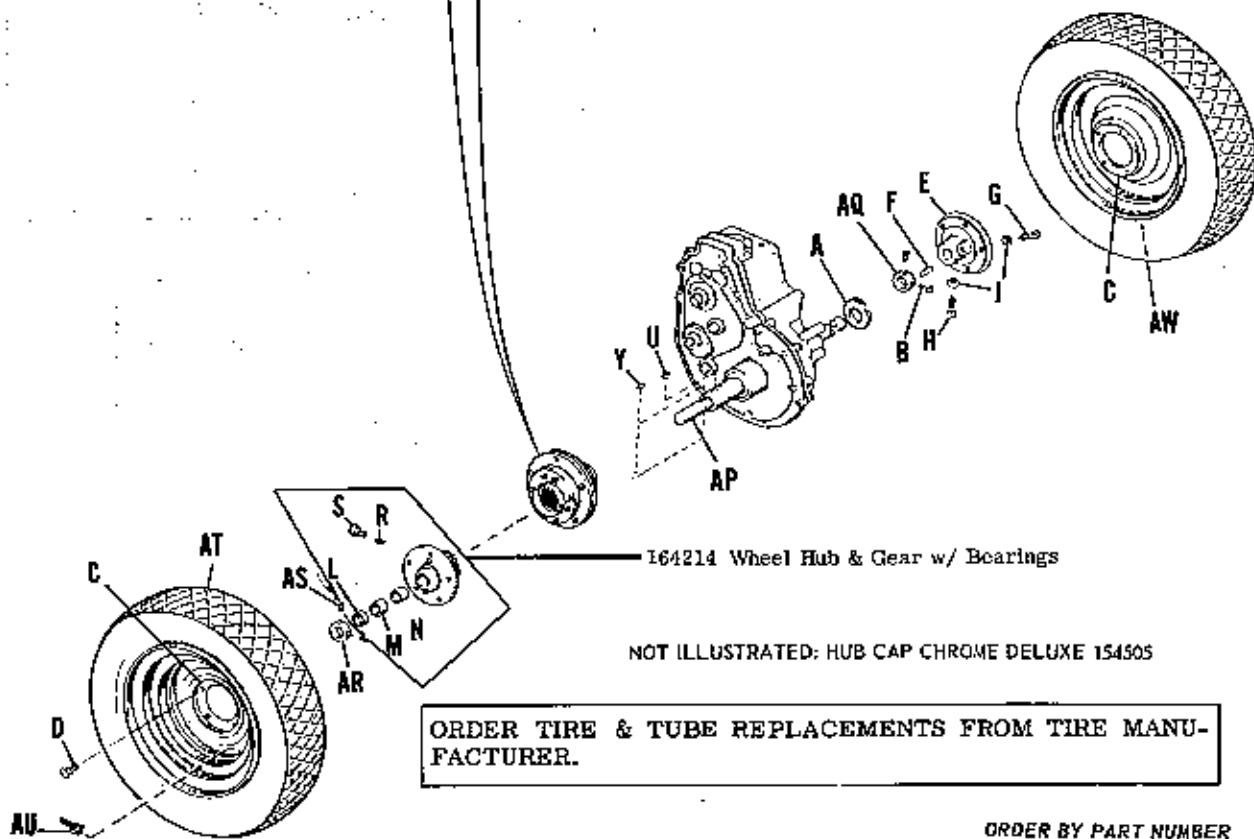
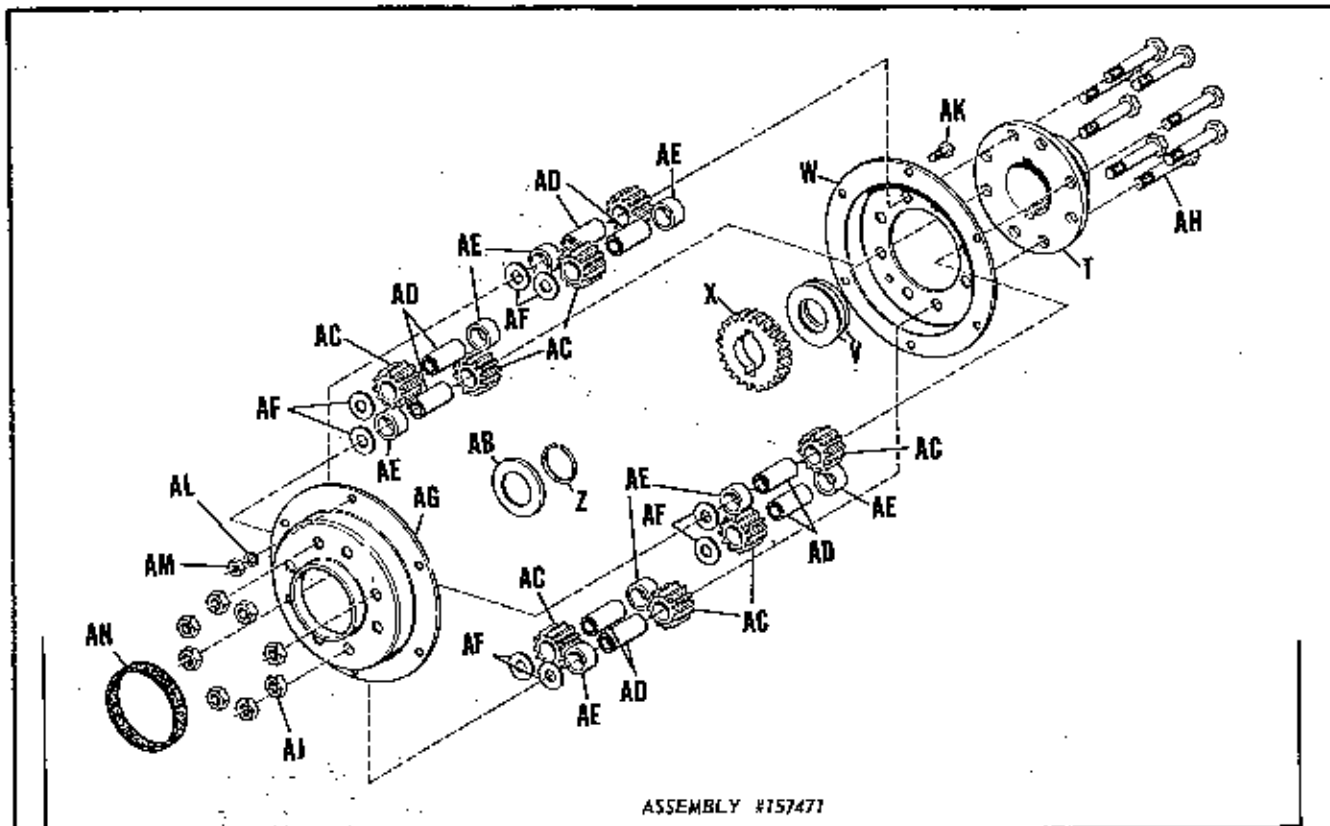


ORDER BY PART NUMBER

Ref. Let.	Part No.	Description
A	156203	Seat Assembly
B	166111	Seat Deck Assembly
C	164029	Seat Deck Bracket, Front
D	717510	Hex. Locknut, Full, 3/8"-16
E	705016	Hex. Head Capscrew, 3/8"-16 x 1-1/4"
F	159085	Cushion Connector, Front
G	164145	Spring Clip
H	720001	Lock Washer, 5/16"
J	717001	Hex. Nut, Full, 5/16"-18
K	705012	Hex. Head Capscrew, 5/16"-18 x 5/8" lg.
L	720001	Lockwasher, 5/16"
M	717001	Hex. Nut, Full, 5/16"-18
N	705012	Hex. Head Capscrew, 5/16"-18 x 5/8" lg.
P	720001	Lockwasher, 5/16"
Q	719006	Plain Washer, 1/4"
R	721601	Lockwasher

REAR WHEELS AND AXLE

FOR MODEL 2210



REAR WHEELS AND AXLE

FOR MODEL 2210

ORDER BY PART NUMBER

Ref. Let.	Part No.	Description
A	105050	Washer
B	713002	Set Screw, 5/16"-18 x 3/8" lg.
C	157025	Wheel Drive
D	8261100	Hub Bolt
E	154208	L. H. Wheel Hub
F	159129	Key
G	715022	Set Screw, 3/8"-16 x 1-1/2" lg.
H	713004	Set Screw, 3/8"-16 x 1" lg.
J	717021	Hex. Jam Nut, 3/8"-16
L	105058	Bearing
M	152041	Nylon Bearing
N	158068	Bearing
R	152042	Nylong Plug
S	713508	Control Traction Bolt: 7/16"-20 x 1/2" lg.
T	164217	Differential Carrier
U	157120	Drive Key
V	154085	Axle Washer
W	164218 *	Differential Cover
X	164219	Differential Gear
Y	725501	Hi-Pro Key
Z	154291	Retaining Ring
AB	154277	Axle Washer
AC	121311	Differential Pinion
AD	121083	Pinion Differential Spindle
AE	121084	Differential Spacer
AF	719002	Plain Washer
AG	164220 *	Differential Cover
AH	715043	Hex. Cap Screw, 3/8"-16 x 2-1/2"
AJ	717510	Full Lock Hex. Nut, 3/8"-16
AK	705015	Hex. Cap Screw, 1/4"-20 x 5/8"
AL	720008	Lock Washer, 1/4"
AM	717005	Full Hex. Nut, 1/4"-20
AN	121190	Differential Cover Seal
AP	164221	Rear Axle
AQ	154065	Axle Collar
AR	154065	Axle Collar
AS	713002	Set Screw, 5/16"-18 x 3/8"
AT	157024	Tire 8 x 12
AU	157029	Valve Stem
AW	157602	Tube (For Service Only)

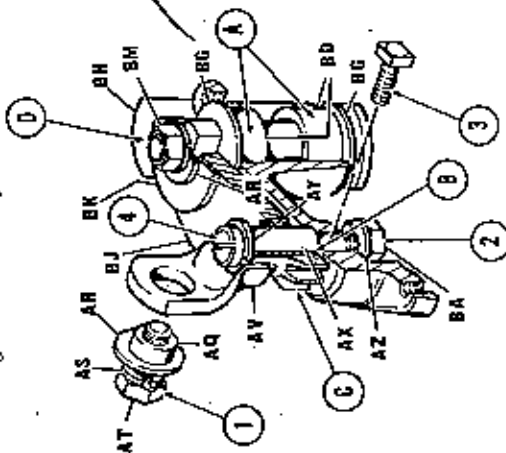
CAUTION

DO NOT EXCEED 25ft.POUNDS OF TORQUE ON PART NUMBER 713508, REFERENCE LETTER (S), CONTROL TRACTION BOLTS.

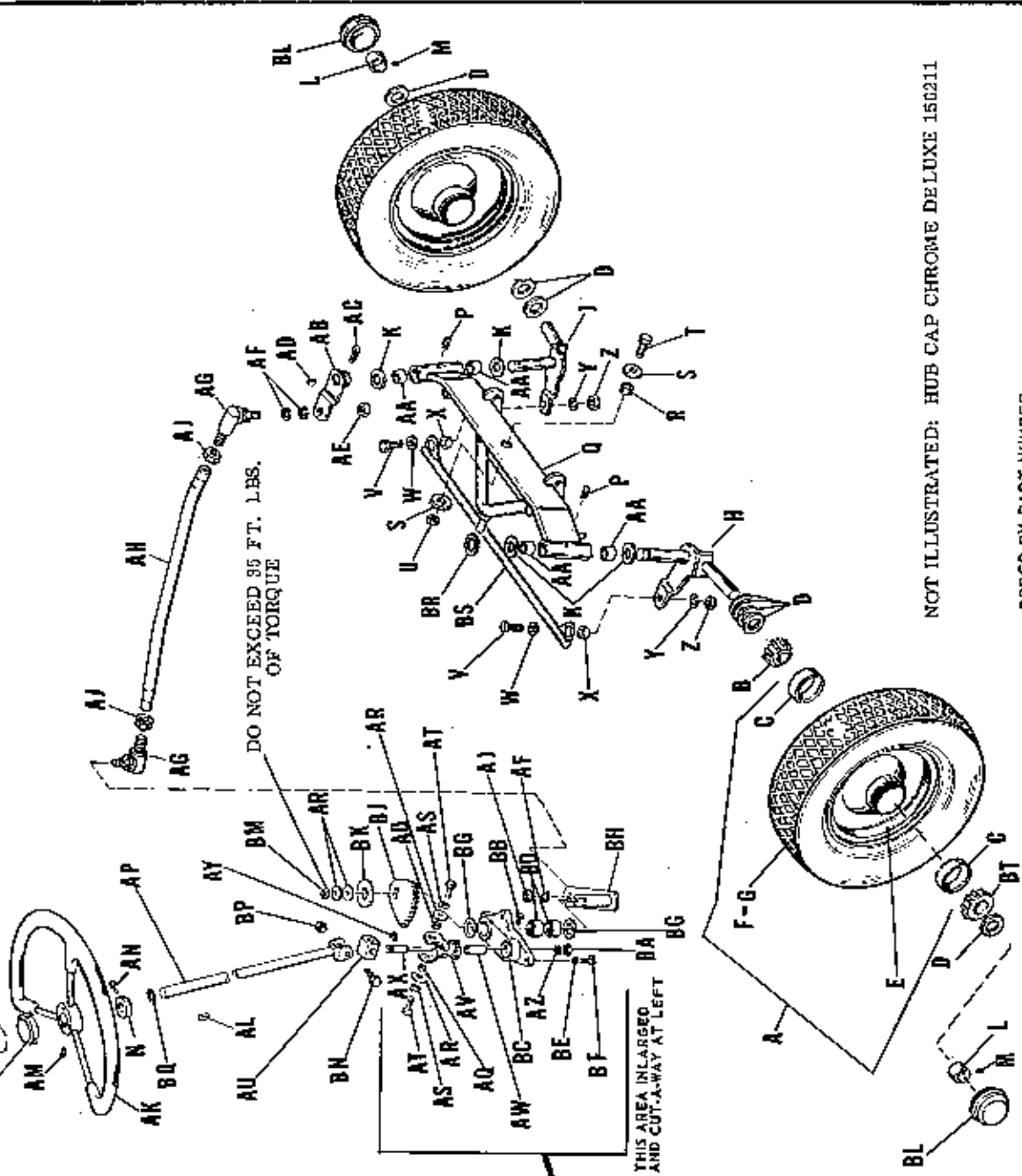
* Reference letters "W" and "AG" must be replaced in pairs.

STEERING GEAR CLEARANCE ADJUSTMENT

- A. Remove R.H. Side Panel.
 - B. Remove Capscrew (No.1) from Steering Shaft and move out of the way.
 - C. Loosen Hex. Nut (No. 2).
 - D. Loosen Set Screw (No. 3).
 - E. Turn Eccentric Pin (No. 4) until the Pinion and Steering Gear are in a position that permits minimum backlash. Be sure that the Gears are not meshed to tight that it interferes with steering.
 - F. Tighten the Hex. Nut (No. 2) and Set Screw (No. 3).
 - G. Replace the Capscrews (No. 1) and R.H. Side Panel.
 - H. Grease Needle Bearings, (A) Bushing (B) and Gear Teeth (C) before reassembly.
- To grease Needle Bearings (A) remove attaching hardware (D) and remove Steering Arm Assembly.



157530 STEERING CAP 157533 DECAL



FOR MODEL 2210

NOT ILLUSTRATED: HUB CAP CHROME DELUXE 156211

ORDER BY PART NUMBER

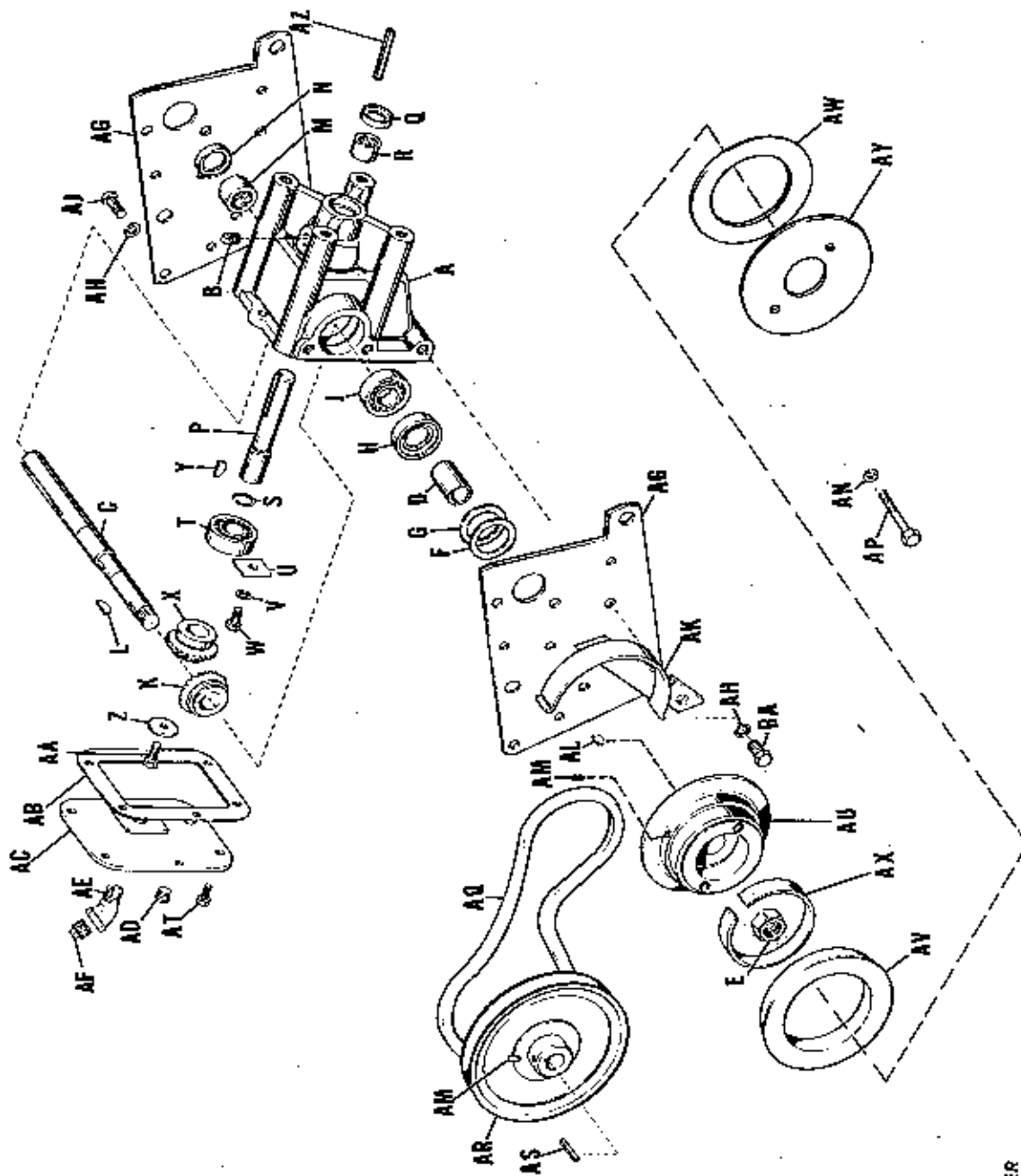
FRONT WHEELS, AXLE, TIE ROD & STEERING

FRONT WHEELS, AXLE, TIE ROD & STEERING

FOR MODEL 2210

— ORDER BY PART NUMBER

Ref. Let.	Part No.	Description
A	154395	Wheel and Tire Assembly
B	154397	Bearing Cone, w/seal
C	154393	Bearing Cup
D	108181	Washer
E	154427	Wheel w/Bearing Cup
F	153037	Tire, 4.80/4.00
G	153038	Tube, 4.00-8
H	157494	Spindle Assembly, R.H.
J	157611	Spindle Assembly, L.H.
K	8061012	Washer
L	8021010	Set Collar
M	712503	Cup Point Socket Head Set Screw, 5/16"-18 x 5/16" lg.
N	8021010	Set Collar
P	727001	Grease Fitting
Q	157616	Axle Assembly, Front
R	157618	Spacer
S	719004	Plain Washer, 1/2"
T	705037	Hex. Cap Screw, 1/2"-13 x 1" lg.
U	717518	Full Lock Hex. Nut, 1/2" -13
V	705016	Hex. Cap Screw, 3/8"-16 x 1-1/4" lg.
W	719001	Plain Washer, 3/8"
X	154177	Spacer
Y	720002	Lock Washer, 3/8"
Z	717003	Full Hex. Nut, 3/8"-16
AA	154289	Bearing
AB	157613	Arm Assembly, Steering, L.H.
AC	713006	Screw, Set, Cup Point, Square Head, 5/16"-18 x 1/2" lg.
AD	157427	Key
AE	717528	Full Hex. Lock Nut, 1/2" -20
AF	720004	Lock Washer, 1/2"
AG	164272	Ball Joint
AH	164271	Tie Rod
AJ	717016	Nut, 1/2"-20 N.F.
AK	157113	Steering Wheel
AL	725003	Woodruff Key, #9
AM	713503	Socket Head Cup Point Set Screw, 5/16"-18 x 5/16" lg.
AN	713502	Socket Hd. Set Screw, 5/16"-18 x 1/4" lg.
AP	157259	Steering Shaft Assembly
AQ	153081	Spacer
AR	719001	Plain Washer, 3/8"
AS	720002	Lock Washer, 3/8"
AT	715030	Hex Cap Screw, 3/8"-16 x 3/4" lg.
AU	154153	Universal Joint Pin
AV	157354	Bushing Assembly
AW	157258	Bushing
AX	157353	Pin Eccentric
AY	158399	Retainer Ring
AZ	720002	Lock Washer
BA	717003	Full Hex. Nut, 3/8" -16
BB	713012	Sq. Hd. Set Screw, 1/4"-20 x 3/4" lg.
BC	157302	Steering Bracket
BD	154258	Needle Bearing
BE	720001	Lock Washer, 5/16"
BF	705012	Hex. Cap Screw, 5/16"-18 x 5/8"
BG	8061012	Washer
BH	164263	Steering Arm Assembly
BJ	164205	Gear Steering
BK	108182	Arbor Washer
BL	154487	Hub Cap
BM	717619	Gripco Center Lock 7/16" - 14
BN	715026	Hex Cap Screw,
BP	717511	Full Hex. Nut, 5/16"-18
BQ	154264	Snap Ring
BR	157286	Retaining Ring
BS	157499	Drag Link
BT	154486	Outside Bearing



FOR MODEL 2210
BEVEL GEAR HOUSING

ORDER BY PART NUMBER

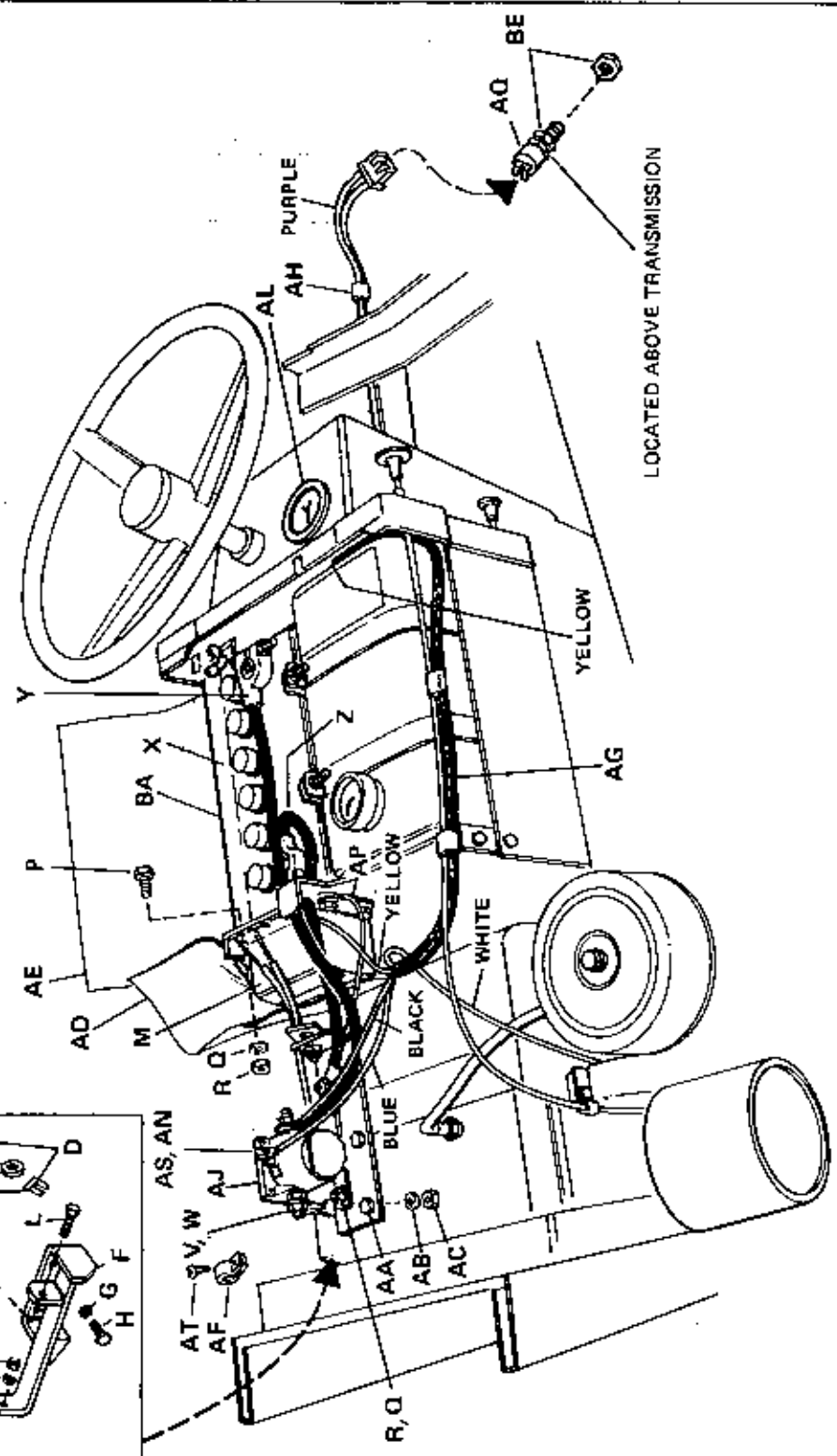
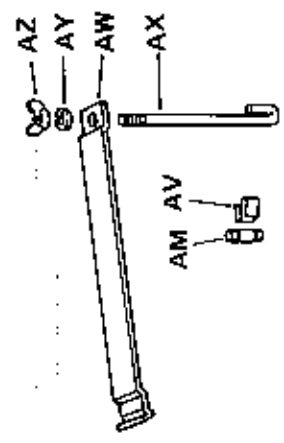
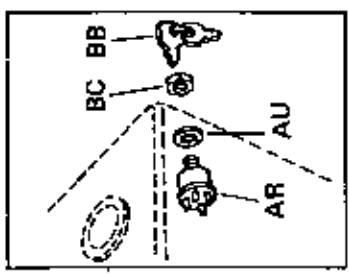
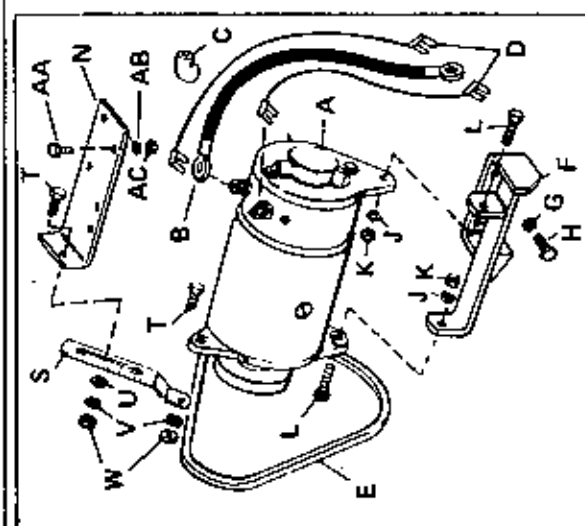
BEVEL GEAR HOUSING

FOR MODEL 2210

ORDER BY PART NUMBER

Ref. Let.	Part No.	Description
A	154062	Bevel Gear Housing, Complete w/2 needle brgs.
B	154326	Pipe Plug
C	154135	Drive Shaft
D	154136	Pulley Spacer
E	717517	Hex. Jam Nut
F	154137	Shim (as required)
G	154138	Shim
H	154278	Oil Seal
J	118011	Ball Bearing
K	154139	Bevel Driven Gear
L	725003	Woodruff Key
M	154279	Needle Bearing
N	118117	Oil Seal
P	157426	Driver Shaft
Q	154263	Oil Seal
R	154258	Needle Bearing
S	118134	Retaining Ring
T	118011	Ball Bearing
U	154040	Bearing Clamp Plate
V	720001	Lock Washer, 5/16"
W	705012	Hex. Cap Screw, 5/16"-18 x 5/8" lg.
X	154121	Bevel Driver Gear
Y	725003	Woodruff Key
Z	154026	Washer
AA	154281	Hex. Cap Screw, 5/16"-18 x 3/4" lg.
AB	154282	Gasket
AC	164249	Housing Cover Assembly
AD	726002	Pipe Plug
AE	728501	Street Elbow
AF	726003	Pipe Plug
AG	164056	R. H. Side Plate
AH	720006	Lock Washer, 7/16"
AJ	705041	Hex. Cap Screw, 7/16"-14 x 1" lg.
AK	154101	Belt Guard Assembly
AL	725003	Woodruff Key
AM	713503	Set Screw, 5/16"-18 x 5/16" lg.
AN	720001	Lock Washer, 5/16"
AP	705001	Hex. Cap Screw, 5/16"-18 x 7/8" lg.
AQ	154273	V-Drive Belt
AR	154272	Drive Pulley
AS	8061081	Key
AT	707003	Hex. Cap Screw, 1/4"-20 x 5/8" lg.
AU	157030	Pulley Half
AV	157031	Pulley Half
AW	157032	Thrust Washer
AX	157033	Bearings
AY	157150	Thrust Washer
AZ	157427	Key
BA	705042	Hex. Cap Screw, 7/16"-14 x 1-1/4"

ELECTRIC STARTER-GENERATOR SYSTEM

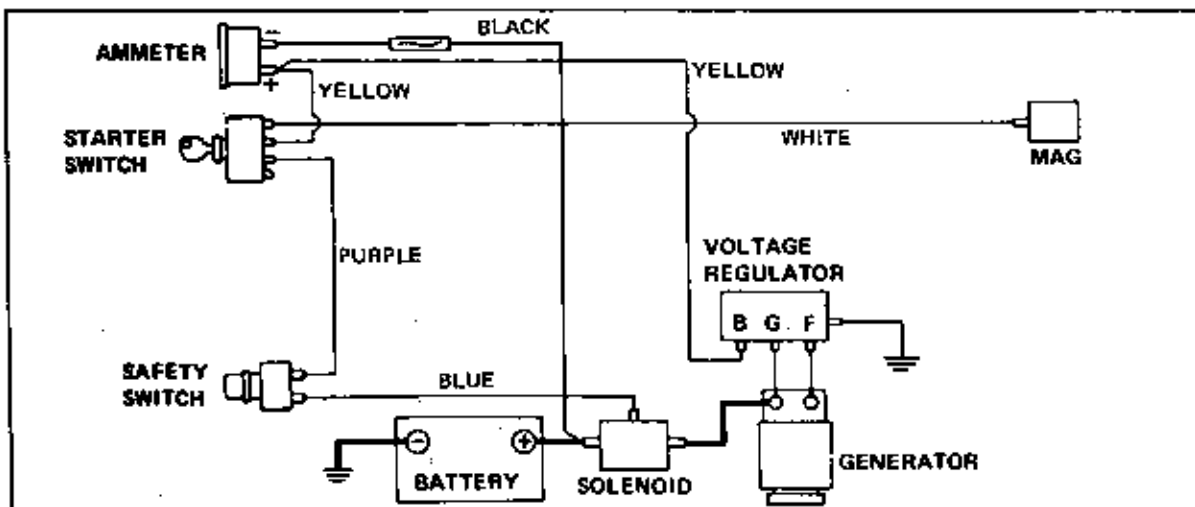


ELECTRIC STARTER-GENERATOR SYSTEM

Ref. Let.	Part No.	Description
A	122236 **	Motor - Generator
B	122213	Generator Start Cable
C	122023	Terminal Cover
D	122140	Reg. Gen. Wire
E	157524	"V" Belt
F	157654	Support Assembly
G	720001	Lock Washer, 5/16"
H	715048	Hex. Capscrew, 5/16-18 x 3/4" lg.
J	720001	Lock Washer, 5/16"
K	717001	Full Hex. Nut, 5/16" - 18
L	705019	Hex. Capscrew, 5/16"-18 x 1-1/4"
M	122193 **	Voltage Regulator
N	164254	Bracket
P	705030	Hex. Capscrew, 1/4-20 x 3/4" lg.
Q	720003	Lock Washer, 1/4"
R	717005	Full Hex. Nut, 1/4"-20
S	157102	Belt Tightener
T	705017	Hex. Capscrew, 5/16-18 x 3/4" lg.
U	719002	Plain Washer, 5/16"
V	720001	Lock Washer, 5/16"
W	717001	Full Hex. Nut, 5/16"-18
X	122190	Battery
Y	122204	Cable (Battery to Solenoid)
Z	122138	Cable (Battery to Ground)
AA	705015	Hex. Capscrew, 1/4-20 x 5/8" lg.
AB	720003	Lock Washer, 1/4"
AC	717005	Full Hex. Nut, 1/4"-20
AD	122142	Battery Insulation

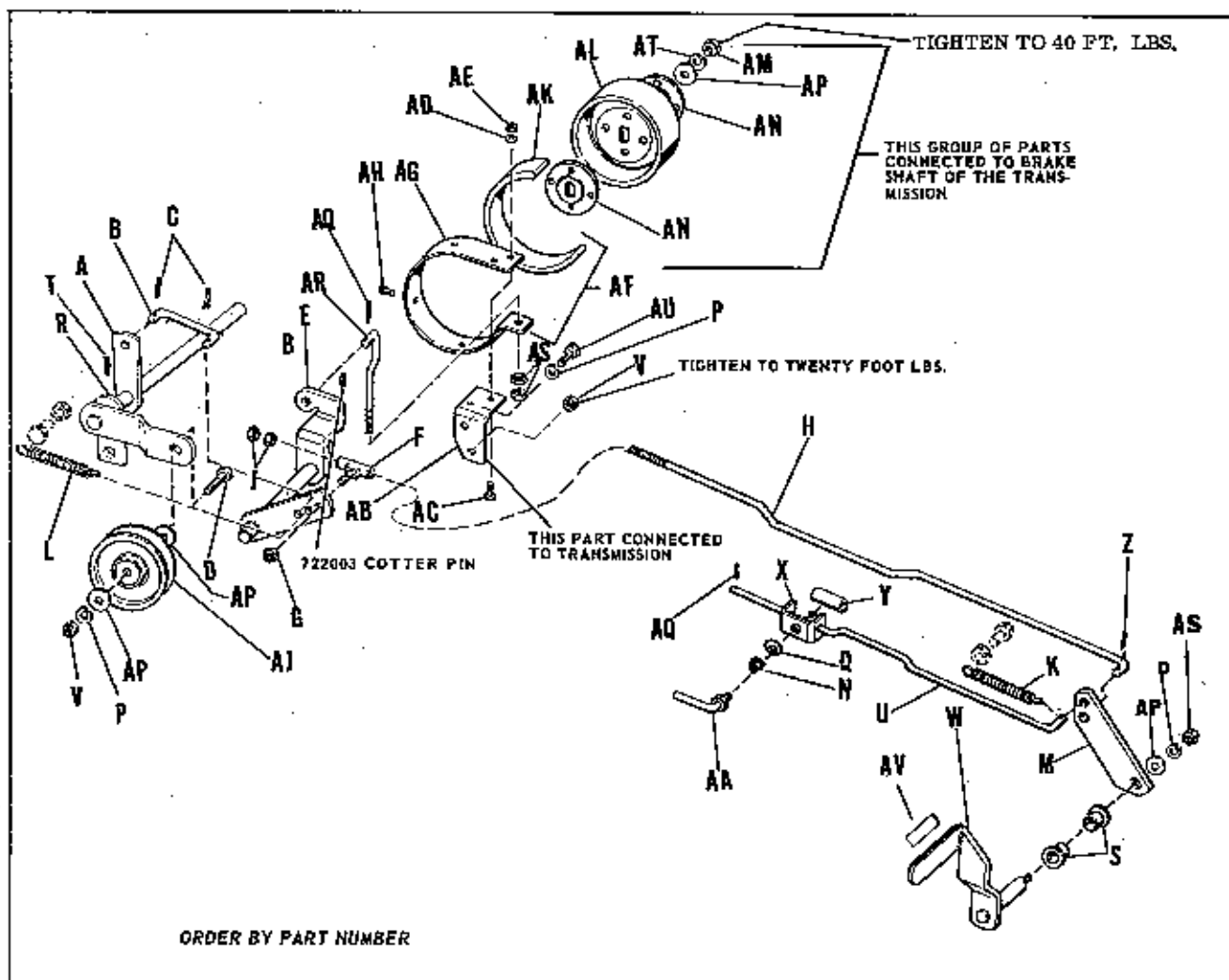
Ref. Let.	Part No.	Description
AE	122143	Fuel Tank Insulation
AF	122195	Wire Clamp (Generator Cable)
AG	164256	Harness Assembly
AH	165074	Speed Clip
AJ	122216	Solenoid
AK	717005	Full Hex. Nut, 1/4"-20
AL	122131	Ammeter
AM	122172	Fuse, 20 AMP
AN	717007	Full Hex. Nut, 10-32
AP	122147	Wire (Ground to Ground)
AQ	122233	Safety Switch
AR	122201	Starter Switch w/Keys
AS	721003	Lock Washer, ext. No. 10
AT	714005	Rd.Hd.Screw 10-24 x 1/2"
AU	721509	Lock Washer Int. 9/16"
AV	122183	Clip Fuse
AW	122173	Battery Bracket
AX	122174	"J" Bolt
AY	720003	Lock Washer, 1/4"
AZ	718042	Wing Nut
BA	122199	Film (SIMPLICITY)
BB	122203	Keys
BC	122235	Hex Nut - Special
BD	166174	Switch Support
BE	122234	Nut

** FOR SERVICE CONTACT YOUR LOCAL
UNITED MOTOR SERVICE DEALER (DELCO-REMY)



CLUTCH AND BRAKE GROUP

FOR MODEL 2210

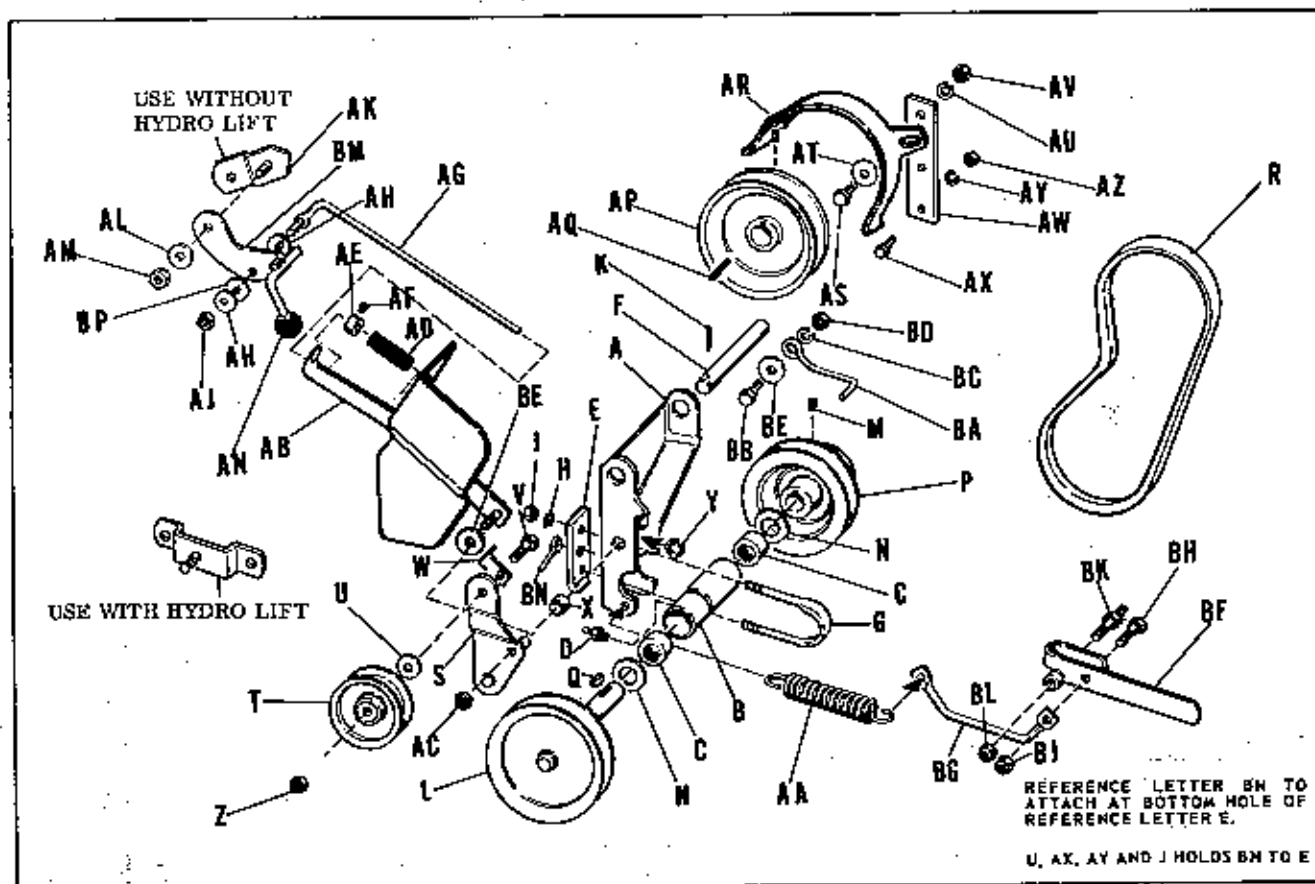


ORDER BY PART NUMBER

Ref. Let.	Part No.	Description
A	164057	Idler Pivot Assembly
B	157039	Clutch Lever Link
C	722001	Cotter Pin
D	705016	Hex. Cap Screw
E	157274	Pivot Lever Assembly
F	164094	Rod Guide Assembly
G	717511	Full Lock Hex. Nut
H	157303	Brake & Clutch Rod
J	717001	Full Hex. Nut
K	159106	Tension Spring
L	156302	Tension Spring
M	157300	Pedal Foot Arm
N	157127	Spring
P	720002	Lock Washer
Q	719003	Plain Washer, 7/16"
R	164055	Bar Pivot
S	108419	Rushing
T	722009	Cotter Pin 1/8 x 3/4"lg.
U	164210	Brake Rod
V	717003	Full Hex. Nut, 3/8"-16
W	157280	Foot Pedal Assembly
X	164143	Bracket Assembly

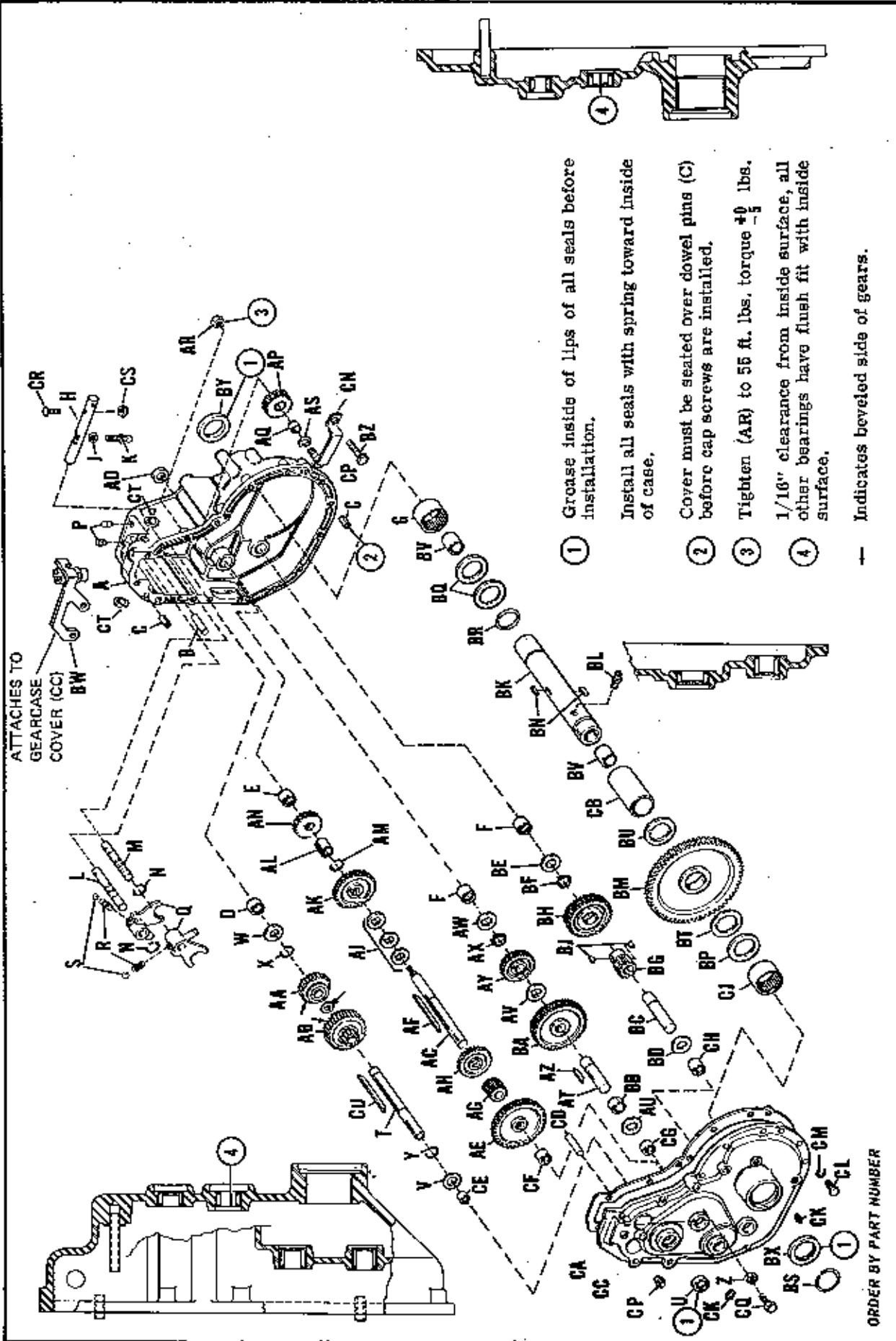
Ref. Let.	Part No.	Description
Y	157287	Spacer
Z	722009	Cotter Pin
AA	164142	Park Brake Lock
AB	154134	Brake Band Bracket
AC	705030	Hex. Cap Screw, 1/4"-20 x 3/4"
AD	720003	Lock Washer, 1/4"
AE	717005	Full Hex. Nut, 1/4"-20
AF	164111	Brake Band & Lining Assembly
AG	164112	Brake Band
AH	724501	Rivet #7 x 5/16"
AJ	105285	Idler Pulley
AK	154133	Brake Lining
AL	157282	Brake Drum
AM	717022	Full Hex. Nut, 7/16"-14
AN	159196	Special Washer
AP	719001	Plain Washer
AQ	722001	Cotter Pin
AR	157261	Brake Rod
AS	717008	Full Hex. Nut, 3/8"-16
AT	720008	Lock Washer, 7/16"
AU	705031	Hex. Cap Screw
AV	162098	Pad, Pedal

POWER TAKE-OFF



Ref. Let.	Part No.	Description
A	157285	P.T.O. - Bracket
B	157269	Bearing Housing
C	154258	Needle Bearing
D	727001	Grease Fitting
E	157645	Support Plate
F	154233	Pivot Rod, 5/8" Dia. x 6-13/16"
G	157270	"U" Bolt
H	720001	Lock Washer, 5/16"
J	717001	Full Hex. Nut, 5/16"-18
K	722007	Cotter Pin, 3/16" Dia. x 1-1/2"
L	157266	Shaft Assembly, P.T.O.
M	713503	Set Screw, 5/16"-18 x 5/16"
N	8061012	Washer
P	157116	P.T.O. Pulley
Q	725003	Woodsruff Key #9-3/16" x 3/4"
R	154307	"V" Belt
S	157263	Idler Lever Assembly
T	154534	Idler Pulley
U	719002	Plain Washer, 5/16"
V	705016	Hex. Cap Screw, 3/8"-16 x 1-1/4"
W	157423	Stop
X	157272	Spacer
Y	157288	Retaining Ring
Z	717510	Full Lock Hex. Nut, 3/8"-16
AA	157262	Tension Spring
AB	164153	Rod Guide Assembly
AC	717510	Full Lock Hex. Nut, 3/8"-16
AD	8191045	Spring
AE	8191022	Set Collar
AF	713001	Set Screw, 1/4"-20 x 3/8"
AG	154364	Clutch Rod Assembly

Ref. Let.	Part No.	Description
AH	719002	Plain Washer, 5/16"
AJ	717525	Full Lock Hex. Nut, 5/16"-18
AK	154362	Pivot Bar Assembly
AL	719001	Plain Washer, 3/8"
AM	717510	Full Lock Hex. Nut, 3/8"-16
AN	122005	Knob
AP	157121	Pulley
AQ	8061081	Key
AR	164152	Belt Guard Assembly
AS	705005	Hex. Cap Screw, 3/8"-16 x 1"
AT	719001	Plain Washer, 3/8"
AU	720002	Lock Washer, 3/8"
AV	717003	Full Hex. Nut, 3/8"-16
AW	157050	Belt Guard Support
AX	705007	Hex. Cap Screw, 5/16"-18 x 1"
AY	720001	Lock Washer, 5/16"
AZ	717001	Full Hex. Nut, 5/16"-18
BA	8021014	Belt Stop
BB	705031	Hex. Cap Screw, 3/8"-16 x 7/8"
BC	720002	Lock Washer, 3/8"
BD	717003	Full Hex. Nut, 3/8"-16
BE	719001	Plain Washer, 3/8"
BF	157292	Handle Assembly
BG	157291	Spring Tension Rod
BH	705019	Hex. Cap Screw, 5/16"-18 x 1-1/4"
BJ	717511	Full Lock Hex. Nut, 5/16"-18
BK	157273	Stud
BL	717519	Full Lock Hex. Nut, 7/16"-14
BM	154356	Clutch Lever Assembly
BN	121044	Belt Guide
BP	159134	Special Washer



FOR MODEL 2210

TRANSMISSION GROUP

TRANSMISSION GROUP

FOR MODEL 2210

ORDER BY PART NUMBER

Ref. Let.	Part No.	Description
A	157516	Case, Gear Assy. Complete w/bearings & dowel pins (includes "B" thru "G")
B	154538	Roll Pin
C	723007	Roll Pin
D	154257	Needle Bearing
E	154258	Needle Bearing
F	154259	Needle Bearing
G	157319	Needle Bearing ring
H	164250	Shift Rod
J	154261	Shift Stem
K	717010	Full Hex. Nut, 3/8"-24 N. F.
L	154067	Shifter Shaft Rev., Med.
M	154068	Shifter Shaft High, Low
N	8061048	Retaining Ring
P	715019	Set Screw, Hollow Head, Cone Point, 5/16"-18 x 1/2"
Q	154069	Shift Fork
R	154323	Spring
S	154262	Shift Lock Ball
T	157653	Pulley Shaft
U	154263	Oil Seal
V	154482	Washer
W	154482	Washer
X	154264	Retaining Ring
Y	154264	Retaining Ring
Z	717011	Hex. Nut Jam, 5/16"-18
AA	154072	Pinion Assembly Rev. II
AB	154075	Pinion Assembly, I and III
AC	157290	Shaft, 1st Intm.
AD	154263	Oil Seal
AE	154078	Driven I, Gear
AF	154354	Key
AG	154079	Pinion, 1st Intm.
AH	154080	Pinion, Driven, III
AJ	8061012	Trans. Gear Spacer
AK	154081	Driven II Gear
AL	154082	Spacer
AM	154264	Retaining Ring
AN	154083	Reverse Pinion
AP	154087	Reverse Gear
AQ	154084	Rev. Gear Spacer
AR	717516	Lock Nut, 1/2"-20 N.F.
AS	154325	Washer
AT	154086	Shaft, 2nd. Intm.
AU	154038	Washer
AV	154038	Washer
AW	154038	Washer
AX	154266	Retaining Ring
AY	154088	Pinion, 2nd. Intm.
AZ	154267	Key
BA	154089	Gear, 2nd. Intm.
BB	154090	Spacer
BC	154091	Shaft, 3rd. Intm.
BD	154038	Washer
BE	154038	Washer
BF	154266	Retaining Ring
BG	154092	Pinion, 3rd. Intm.
BH	154093	Gear, 3rd. Intm.
BJ	725002	Key Woodruff
BK	164222	Axle Tube w/bushing

Continued next page

TRANSMISSION GROUP (cont.)

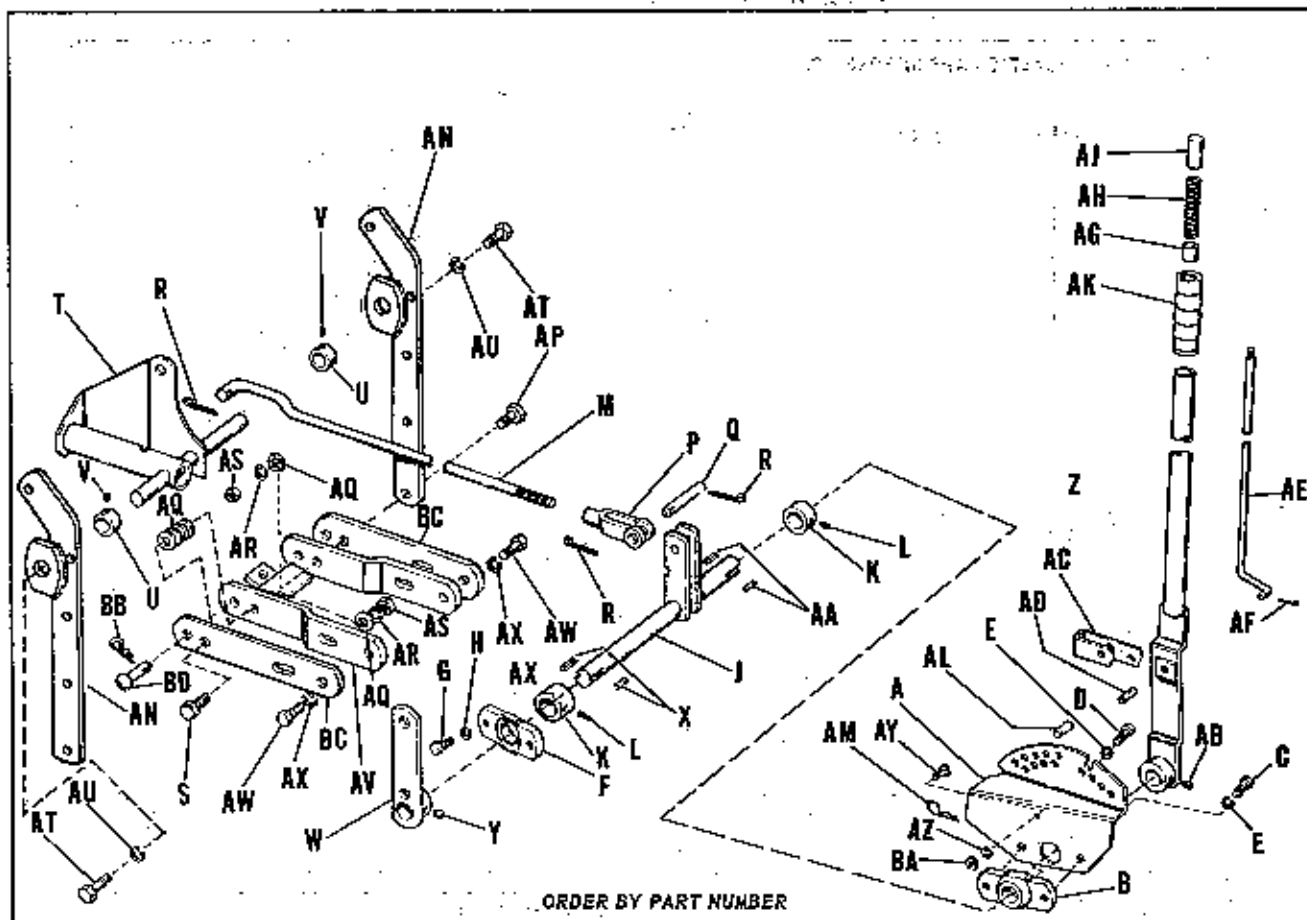
FOR MODEL 2210

ORDER BY PART NUMBER

Ref. Let.	Part No.	Description
BL	727002	Grease Fitting
BM	154095	Drive Gear
BN	154096	Key
BP	154097	Washer
BQ	154097	Washer
BR	154268	Snap Ring
BS	154268	Snap Ring
BT	154130	Axle Tube Washer
BU	154130	Axle Tube Washer
BV	164224	Bearing
BW	164251	Switch Support
BX	154269	Seal
BY	154269	Seal
BZ	705016	Hex. Cap Screw, 3/8"-16 x 1-1/4"
CA	164234	Gear Case Gasket
CB	154098	Axle Tube Spacer
CC	157518	Gear Case Cover, Complete w/ bearings
CD	154837	Roll Pin Assembly
CE	154258	Needle Bearing
CF	154257	Needle Bearing
CG	154271	Needle Bearing
CH	154259	Needle Bearing
CJ	157520	Needle Bearing
CK	726003	Pipe Plug, 3/8"
CL	705007	Hex. Cap Screw, 5/16"-18 x 1"
CM	720001	Lock Washer, 5/16"
CN	154352	Rev. Gear Pin Assembly
CP	726003	Pipe Plug, 3/8"
CQ	715017	Hex. Cap Screw, 5/16"-18 x 1-1/4"
CR	703010	Carriage Bolt, 5/16"-18 x 1"
CS	717011	Jam Nut, 5/16"-18
CT	157619	Oil Seal
CU	164294	Key

REAR LIFT DRAW BAR GROUP

FOR MODEL 2210



ORDER BY PART NUMBER

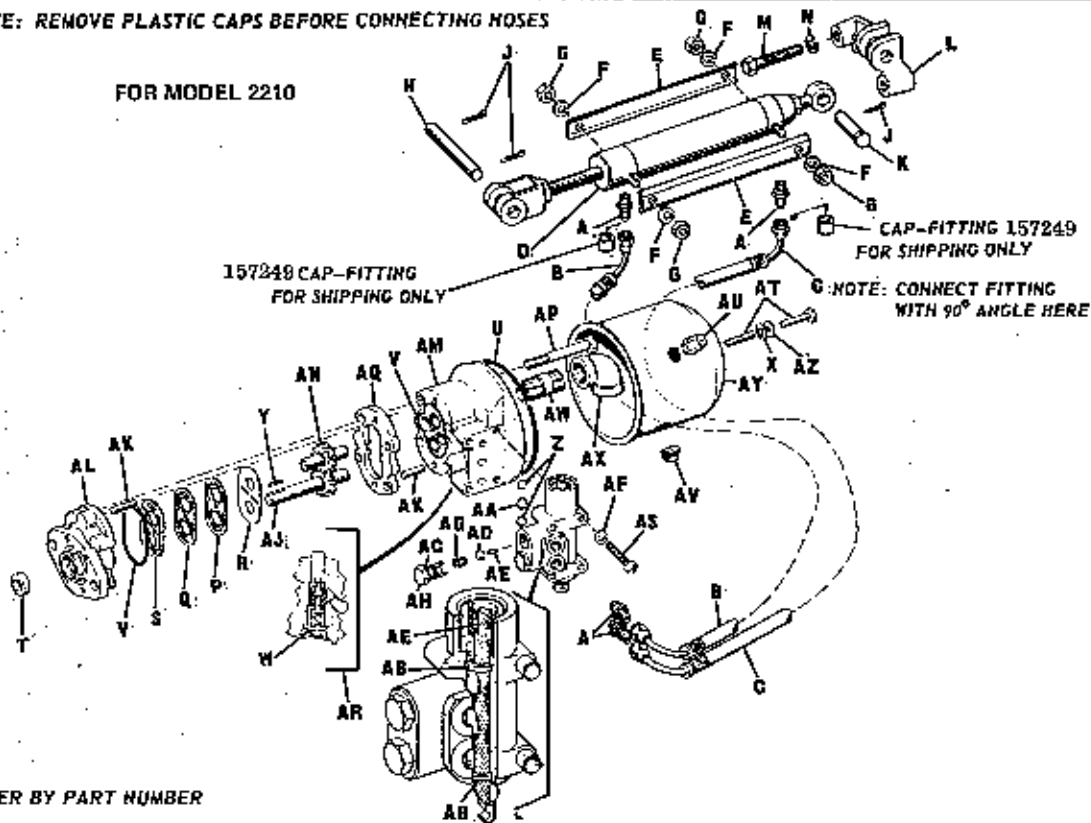
Ref. Let.	Part No.	Description
A	154209	Lift Lever Quadrant
B	157620	Lift Lever Bearing
C	705031	Hex. Cap Screw, 3/8"-16 x 7/8"
D	705016	Hex. Cap Screw, 3/8"-16 x 1-1/4"
E	720002	Lock Washer, 3/8"
F	157620	Lift Lever Bearing
G	705031	Hex. Cap Screw, 3/8"-16 x 7/8"
H	720002	Lock Washer, 3/8"
J	157640	Lift Shaft Assembly
K	157624	Set Collar
L	713508	Set Screw, 5/16" - 18 x 5/16" "
M	157301	Rear Lift Rod
P	157631	Adj. Yoke End
Q	157225	Pin
R	722006	Cotter Pin, 1/8" x 1"
S	705047	Hex. Cap Screw, 7/16"-14 x 1-3/4"
T	154214	Tiller Lift Assembly
U	8021010	Set Collar
V	713503	Set Screw, 5/16"-18 x 5/16"
W	157625	Front Lift Lever Assembly
X	157120	Key
Y	713502	Set Screw, 5/16"-18 x 1/4"
Z	157628	Lift Lever Assembly
AA	157652	Key
AB	713502	Set Screw, 5/16"-18 x 1/4"
AC	154224	Lift Lever Latch

Ref. Let.	Part No.	Description
AD	723007	Roll Pin
AE	157013	Latch Rod
AF	722001	Cotter Pin, 3/32" x 3/4"
AG	154226	Spacer
AH	152006	Spring
AJ	154227	Thumb Button
AK	156209	Handle Grip
AL	153058	Pin
AM	8161045	Spring Clip
AN	157651	Arm Assembly
AP	705039	Hex. Capscrew, 7/16"-14 x 1-1/2"
AQ	719001	Plain Washer, 3/8"
AR	720006	Lock Washer, 7/16"
AS	717022	Full Hex. Nut, 7/16"
AT	705041	Hex. Cap Screw, 7/16"-14 x 1"
AU	720006	Lock Washer, 7/16"
AV	154202	Draw Bar Assembly
AW	705042	Hex. Cap Screw, 7/16"-14 x 1-1/4"
AX	720006	Lock Washer, 7/16"
AY	715018	Screw 1/4-20 x 5/8"lg.
AZ	720003	Lock Washer 1/4"
BA	717005	Hex Nut Full 1/4-20
BE	8161045	Spring Clip
BC	157091	Pull Bar
BD	155037	Round Head Pin

POWER LIFT GROUP

NOTE: REMOVE PLASTIC CAPS BEFORE CONNECTING HOSES

FOR MODEL 2210



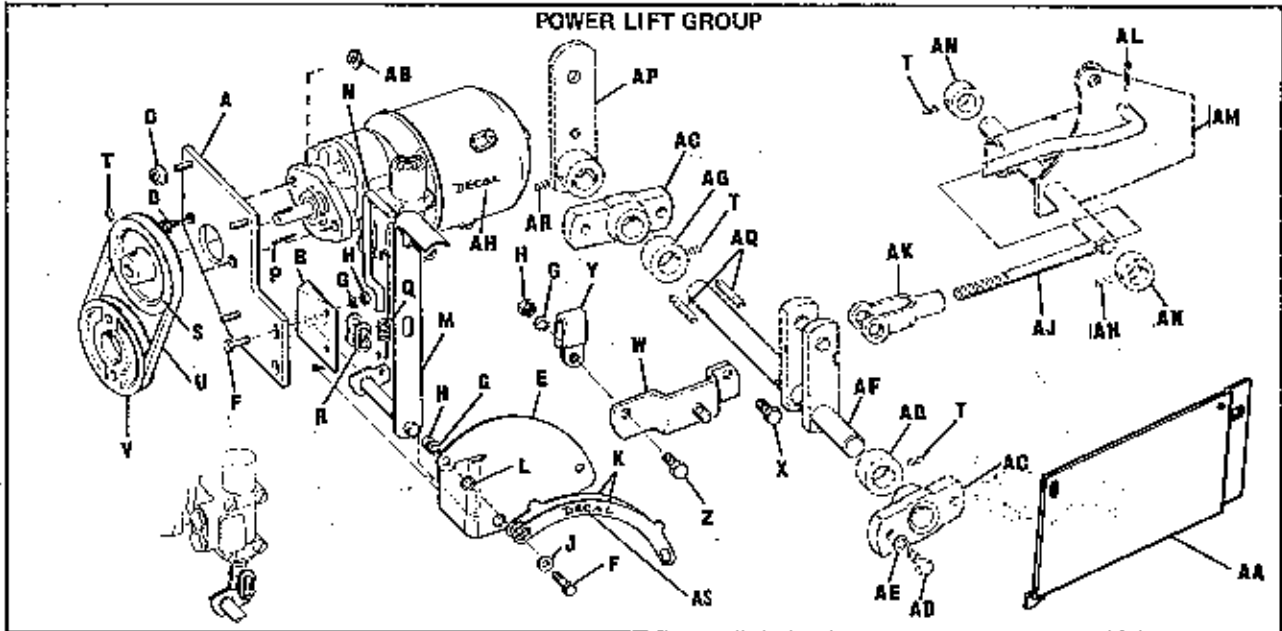
ORDER BY PART NUMBER

Ref. Let.	Part No.	Description
A	164277	Fitting
E	157210	Hose Assembly
C	157211	Hose Assembly
D	157236	Cylinder Assembly
E	157228	Side Bar
F	720001	Lock Washer, 5/16"
G	717001	Full Hex. Nut, 5/16"-18
H	157225	Pin
J	722009	Cotter Pin, 1/8" x 3/4"
K	157194	Ram Bracket Pin
L	157001	Ram Bracket
M	705052	Hex. Cap Screw 7/16"-14 x 2-1/4"
N	720006	Lock Washer, 7/16"
P	157433	Heat Shield (for service only)
Q	157434	Gasket
R	157435	Wear Plate
S	157436	Seal
T	157437	Rotary Seal
U	157438	"O" Ring
V	157439	"O" Ring
W	157404	"O" Ring
X	157441	Stat-O-Seal
Y	157442	Shaft Drive Key
Z	157406	"O" Ring

Ref. Let.	Part No.	Description
AA	157407	"O" Ring
AB	157405	"O" Ring
AC	157444	"O" Ring
AD	157445	Ball
AE	157446	Pin Cam
AF	720003	Lock Washer 1/4"
AG	157448	Spring
AH	157449	Cage
AJ	157450	Drive Gear Assembly
AK	157451	Dowel Pin
AL	157452	Front Cover Assembly
AM	157453	Back Cover Assembly
AN	157454	Driven Gear Assembly
AP	157455	Bolt
AQ	157456	Center, Section Machined
AR	157457	Relief Valve Assembly
AS	157459	Screw
AT	157460	Screw
AU	157462	Filler Cap Plug
AV	157463	Drain Plug
AW	157464	Inlet Nipple
AX	157465	Inlet Elbow
AY	157461	Tank Assembly
AZ	719006	Flat Washer, 1/4"

FOR MODEL 2210

POWER LIFT GROUP



Ref. Let.	Part No.	Description
A	157587	Pump Support Assembly
B	157428	Angle Bracket
C	718033	Hex. Nut, Whiz Lock, 5/16"-18
D	709002	Machine Screw, Flat Hd. 3/8-16x1-1/4"lg.
E	157199	Quadrant
F	715057	Hex. Cap Screw, 1/4"-20 x 3/4"
G	720003	Lock Washer, 1/4"
H	717005	Full Hex. Nut, 1/4"-20
J	719006	Plain Washer, 1/4"
K	157204	Stop Plate
L	157205	Spacer
M	157200	Lever Assembly
N	157206	Latch Rod
P	722016	Cotter Pin, 3/32" x 5/8"
Q	157207	Spring
R	157208	Connecting Link
S	157430	Pump Pulley
T	713503	Set Screw, 5/16"-18 x 5/16"
U	157230	"V" Belt
V	157231	Drive Pulley

Ref. Let.	Part No.	Description
W	157233	Pivot Bar Assembly
X	705007	Hex. Cap Screw, 5/16"-18 x 1"
Y	157245	Hose Clamp
Z	705021	Hex Cap Screw, 1/4"-20 x 1"
AA	164044	Panel, Side L.H.
AB	718035	Nut, Whiz-Lock, Flange, 3/8-16
AC	157620	Lift Lever Bearing
AD	705031	Hex. Cap Screw, 3/8"-16 x 7/8"
AE	720002	Lock Washer, 3/8"
AF	157621	Lift Shaft Assembly
AG	157624	Set Collar
AH	157232	Decal
AJ	157301	Lift Rod (For 10) (For 12 164122)
AK	157631	Adj. Yoke End
AL	722006	Cotter Pin, 1/8" Dia. x 1"
AM	154214	Tiller Lift Assembly
AN	8021010	Set Collar
AP	157625	Front Lift Lever Assembly
AQ	157652	Key
AR	713502	Set Screw, 5/16"-18 x 1/4"
AS	157242	Film

INSTRUCTIONS FOR ADJUSTING HAND LEVER AND FLOAT STOPS OF QUADRANT ON POWER LIFT UNIT

Attach pump to pump support assembly #157420. Then attach support assembly to fuel tank and steering post support. Attach lever with connecting link to valve spool shaft.

Place the lever #157200 with the latch rod #157206 in the exact middle of the two hex cap screws "F" located in the quadrant #157199. This is done by adjusting the angle bracket #157428 and quadrant #157199 up or down on the support #157420. Tighten the capscrews securing the bracket and quadrant to the support.

Move lever to most extreme position (front or rear). Bring stop plate up so notch is striking rod #157206 and secure capscrew (F) furthest from handle. Repeat procedure to the other extreme for other stop plate.

Check rod #157206 in both positions. This rod is not to have ANY FREE MOVEMENT when in front or rear float position. Excessive play at this point increases back pressure on the pump and may cause overheating of the pump. If pump is moved to lift position (front or rear) and then drops the load before entering float position, readjust the hand lever to center of quadrant as described above. Oil lever and rod to insure free movement.

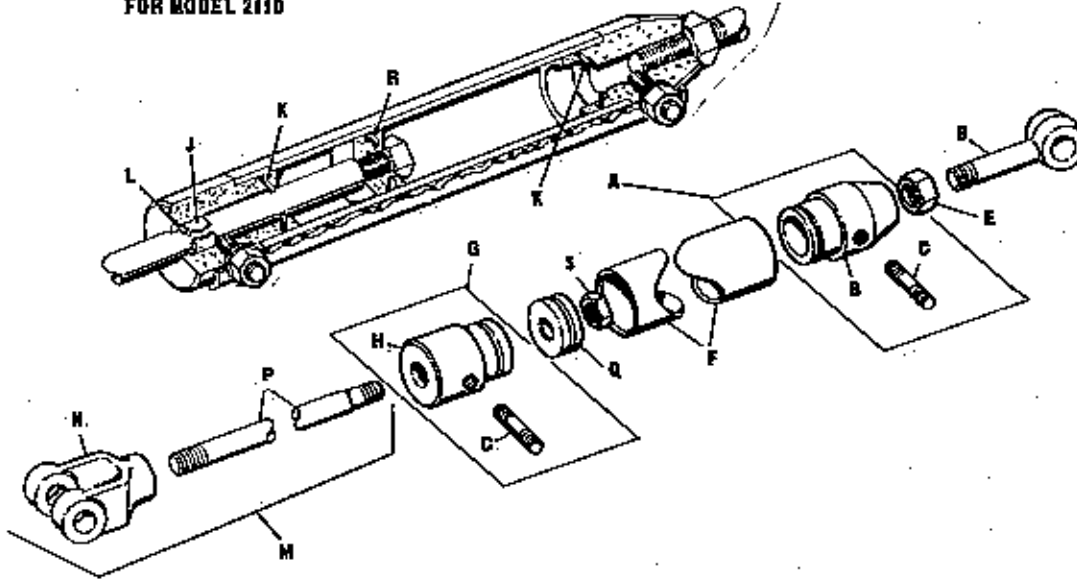
The bolts holding the pump and tank together should be checked and tightened to torque or 50-60 INCH POUNDS.

CAUTION DO NOT OVERFILL

CAUTION DO NOT OVERFILL

POWER LIFT GROUP

FOR MODEL 2110



G-157218 GUIDE CYLINDER END ASSY.
 Consists of
 1 - 157216 - "O" Ring
 1 - 157220 - Bushing (not serviced separately)
 2 - 157214 - Stud

A-157212 BASE CYLINDER ASSY.
 Consists of
 1 - 157216 - "O" Ring
 1 - 717016 - Nut, Hex, Jam
 2 - 157214 - Stud

ORDER BY PART NUMBER

Ref. Let.	Part No.	Description
A	157212	Cylinder Base Sub-Assembly
B	157213	Cylinder Base
C	157214	Stud Bolt, 5/16"-18 x 7/8"
D	157215	Bolt Eye
E	717016	Jam Hex. Nut, 1/2"-20
F	157217	Cylinder
G	157218	Sub Assembly Guide
H	157219	Cylinder End Guide
J	157220	Bushing

Ref. Let.	Part No.	Description
K	157216	"O" Ring
L	157221	"O" Ring
M	157222	Yoke & Rod Sub-Assembly
N	157223	Yoke
P	157224	Piston Rod
Q	157226	Piston
R	157227	"O" Ring
S	717009	Full Hex. Nut

CAUTION

IT IS VITALLY IMPORTANT THAT THE HYDRAULIC FLUID AND ALL INTERNAL PARTS OF THIS UNIT BE KEPT COMPLETELY CLEAN AND FREE OF FOREIGN MATTER OF ANY TYPE.

USE UTMOST CARE IN ADDING OR CHECKING FLUID, AND IN PERFORMING ANY SERVICE ON INTEGRAL PARTS.

(For instance if a fitting or other part is dropped on a contaminated surface, the part must be carefully washed and dried before re-using.)

REMEMBER-HYDRAULICS DEMAND CLEANLINESS

BATTERY INSTRUCTIONS

With proper care this battery should give the long service life built into it.

A battery which does not function properly is not necessarily worn out or defective. It may only need a good recharge. Therefore, if battery trouble is suspected, a full recharge and test by a competent battery man is recommended.

PUTTING DRY-CHARGED BATTERIES IN SERVICE

Remove wicks or tape covering from vent hole in filler caps. Make sure vent holes are open so battery gases produced when battery is charging can escape. If necessary, run a fine wire in vent hole to be sure it is open and free of all obstructions.

Fill battery with 1.265 specific gravity electrolyte or acid to proper level or 3/16 inch above plates and separators assuming room, battery, and electrolyte temperature is 70° - 100° Fahrenheit.

Allow battery to set for 20 minutes. Battery can then be installed but to obtain best results and maximum capacity, place battery on charge after the 20-minute setting period at 6 amperes until gravity reading is 1.265 - 1.275. If room, battery and electrolyte temperatures are below normal a longer charging period will be mandatory to bring the specific gravity up to 1.265 - 1.275.

WARNING

Under no conditions should battery be filled more than 3/16" over the plates. We cannot be responsible for damages if this warning is not observed.

CARE IN SERVICE

A hydrometer test of the battery solution should be made monthly. If the specific gravity tests 1.225 or less, the battery should be removed and thoroughly recharged. At the same time the solution level should be examined and distilled water added when necessary to retain the level of 3/16" over the plates. When necessary to add distilled water it should always be done just prior to recharging to mix the added water thoroughly into the solution.

When recharging is necessary and user does not have his own charging equipment, he should request service station to slow charge the battery at a rate of 4 to 6 amperes.

Any collection of grease or any other substance should be kept removed from the top of the battery and the top kept dry and clean at all times. The battery should be kept snug in its cradle and not permitted to get loose. If removed for charging, it should be fastened back in snugly enough to prevent any movement when in use. Vent caps should be kept tight and the small vent holes in top or side of cap be kept open at all times to permit escape of gases formed in the battery. Care should be exercised not to overfill the battery at any time and to always retain 3/16" of solution above the plates.

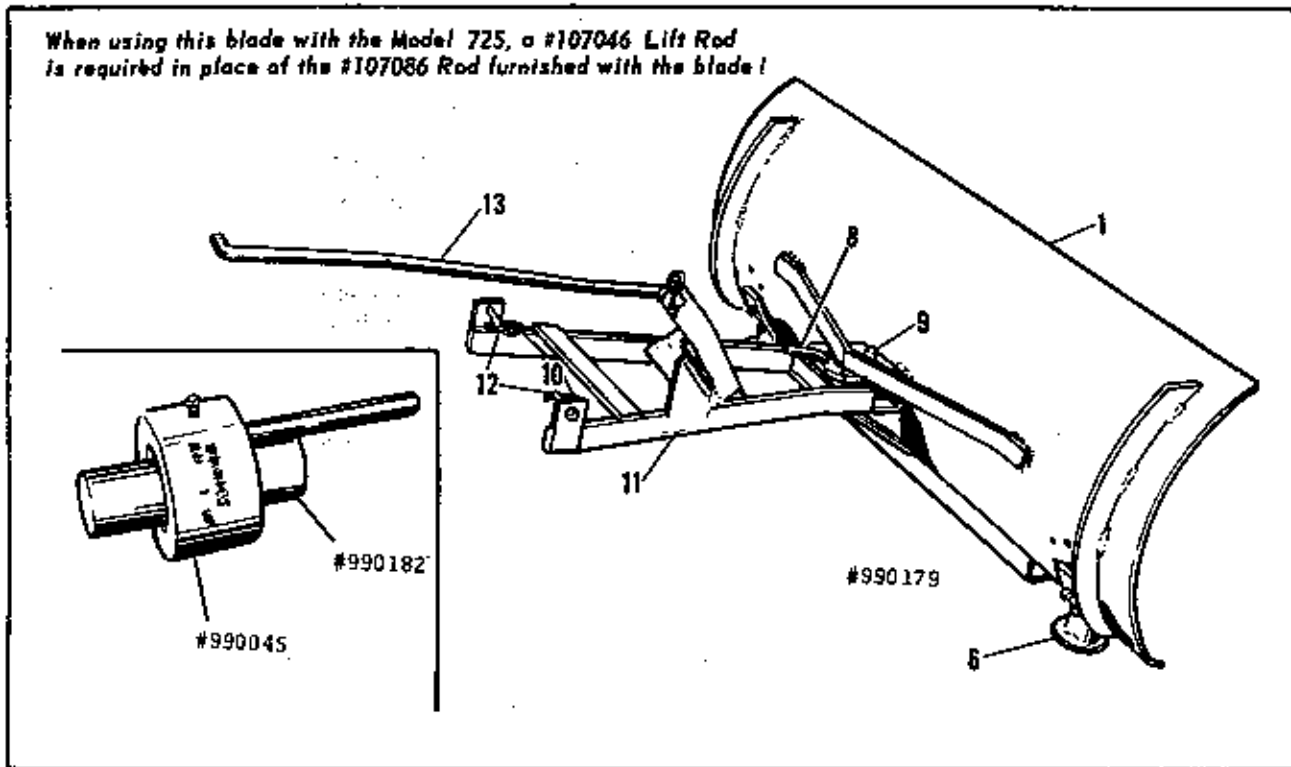
WINTER CARE

If battery will not be used during the winter months it should be removed and stored in a cool, dry place. Any collection of grease or other substance should be removed from the top of the battery.

The battery must be recharged monthly or whenever the hydrometer reads less than 1.225. Before reinstalling the battery in the spring, it should always be given a thorough recharge.

42" SNOW PLOW & DOZER

MFR'S. NO. 179



PACKING

The 42" snow plow and dozer comes packed complete in one bundle.

ASSEMBLY

Attach push bar (11) to blade (1) using king pin (9) and install a spring clip through the king pin. Attach the front lift rod (13) to the push bar as shown. Drop the pivot pin (8) thru the blade assembly bracket and push bar.

ATTACHMENT

To attach the 42" snow plow and dozer to the LANDLORD Riding Tractor, all that is required is to connect pins (12) to the tractor front hitch and safety clip (10); and to connect the front lift rod (13) to the tractor's lift arm.

OPERATION

Alternate holes are provided to permit adjustment of the shoe assemblies (6) for raising

or lowering the blade when cleaning gravel drives or walks. When cleaning concrete it is desirable to allow the blade to scrape the surface.

The angle of the blade is adjustable to permit plowing to the left or right by moving pivot pin (8) to the desired hole in the blade mounting bracket.

For ease of lifting equipment, it is well to use the counterweight (990182) and additional weight (990045) when using the 42" snow plow and grader on the LANDLORD Riding Tractor. These counterweights are mounted on the rear lift assembly.

When using this equipment it is recommended that chains and wheel weights be installed on the tractor. Loose mounting of the chains will make them self-cleaning.

42" SNOW PLOW AND GRADER

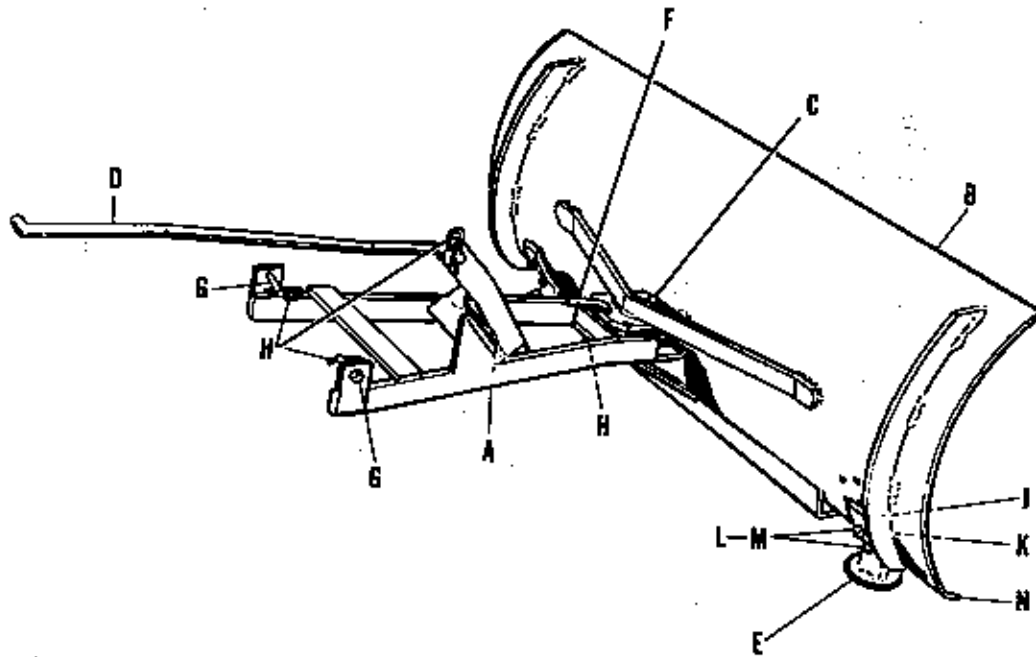


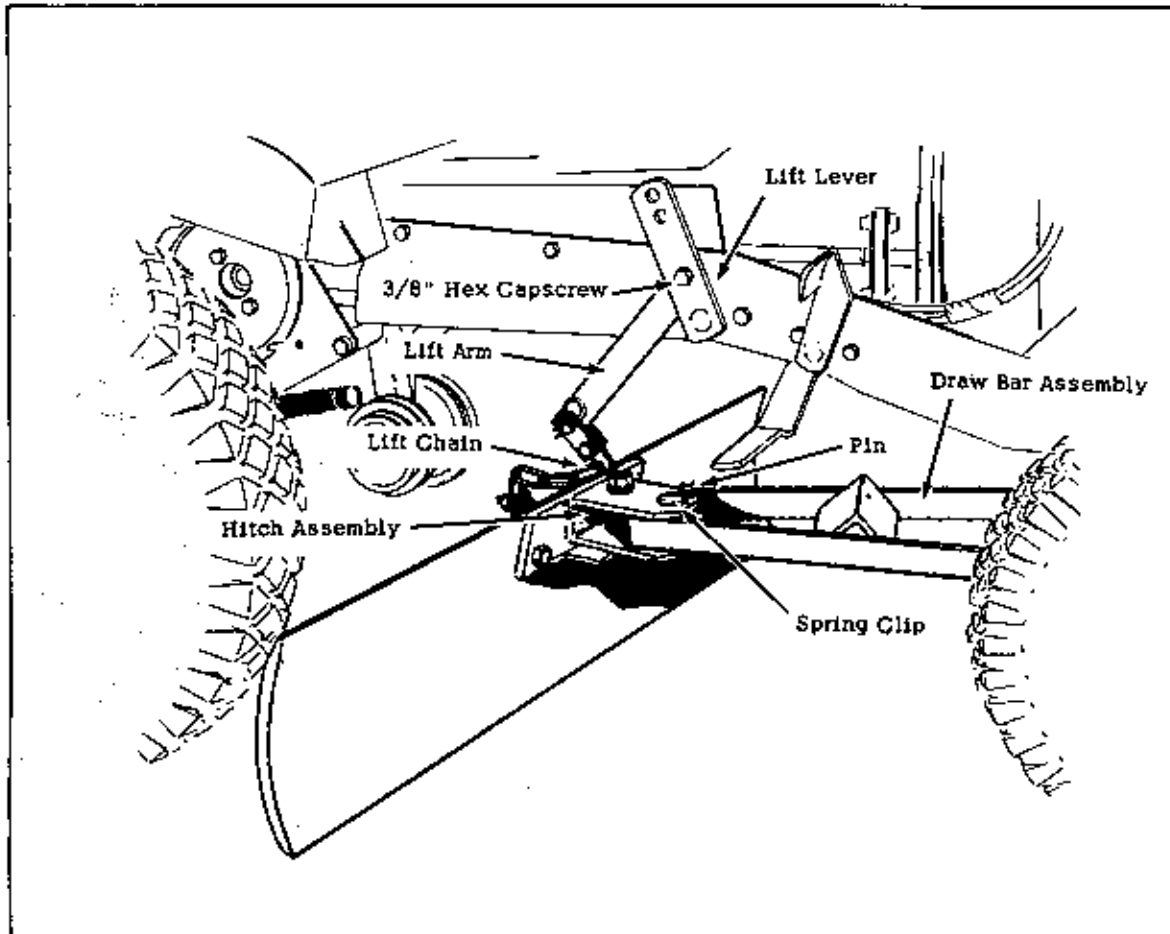
Fig. No. 12

Order by Part Number

Reference Letter	Part No.	Description
A	107049	Push Bar Assembly
B	107047	Blade Assembly, 42"
C	8181008	Pin, King, 1/2" dia. x 2-1/2" lg.
D	107143	Rod, Front Lift
E	107024	Shoe Assembly
F	8181003	Pin, Pivot
G	118053	Pin
H	106788	Clip, Spring
J	702002	Bolt, Carriage, 3/8" - 16 N.C. x 1" lg.
K	702003	Bolt, Carriage, 3/8" - 16 N.C. x 3/4" lg.
L	720002	Washer, Lock, 3/8"
M	717003	Nut, Hex., Full, 3/8" - 16 N.C.
N	107045	Plate, Wear

42" GRADER BLADE

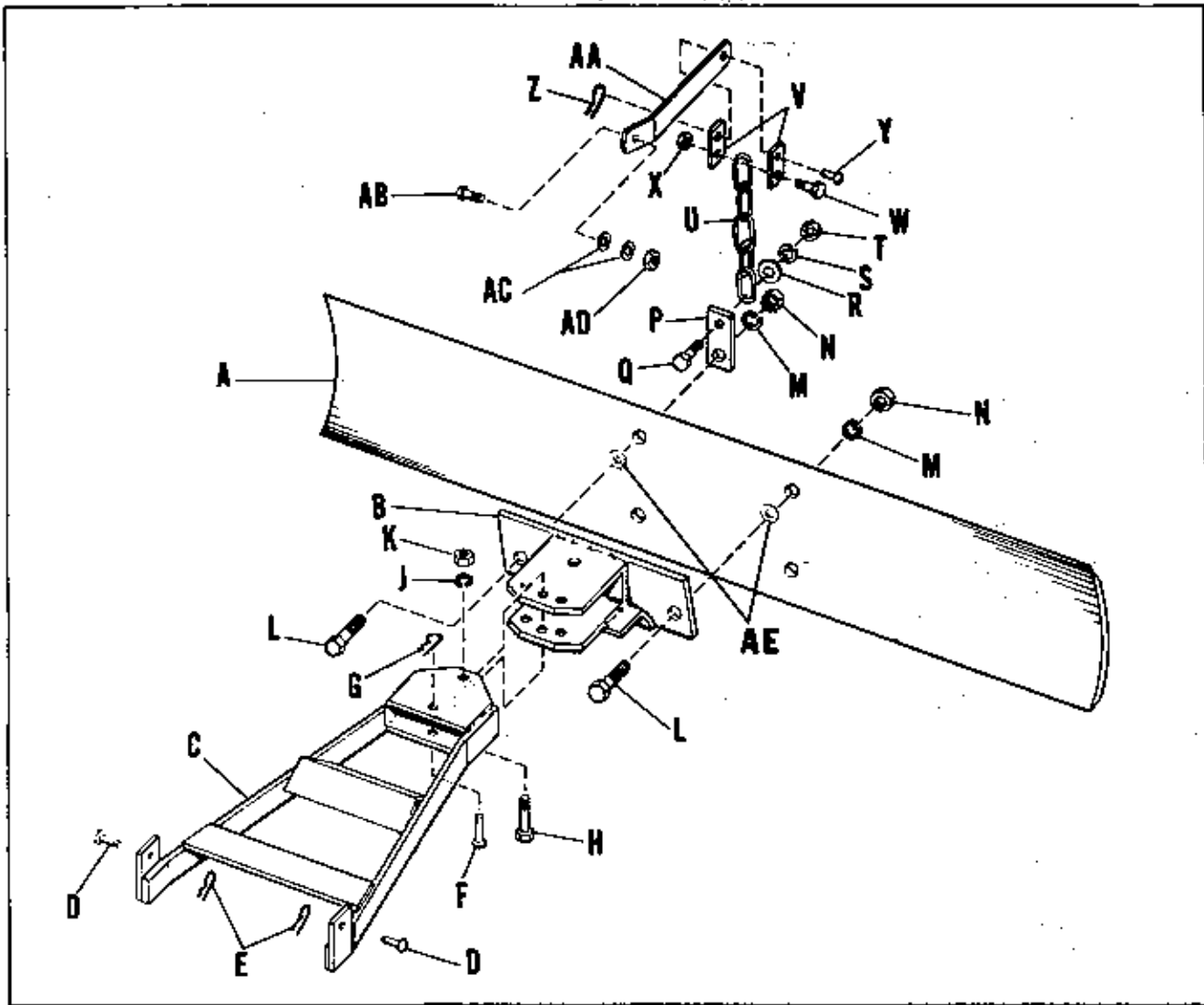
Mfr's. No. 237



The 42" Grader Blade is attached to the tractor as shown in the above illustration by following the sequence of steps as outlined below.

1. Position the grader blade under the tractor so that the draw bar assembly may be connected to the front hitch brackets of the tractor. Secure in place with 2 pins and spring clips.
2. Attach the lift lever to the lift arm of the tractor as shown, placing 2 plain washers between the lift lever and lift arm. Fasten securely with a 3/8" hex head capscrew and lock nut.
3. Attach the lift chain and links to the lift lever with a pin and spring clip so that the blade can be lifted high enough to clear the ground when transporting from one location to another.
4. When desired, the blade may be angled to the left or right by removing the pin and spring clip from the center hole in the hitch assembly. Lock the blade in desired position by replacing the pin and spring clip when the alternate holes in the hitch assembly line up with the hole in the draw bar.

42" GRADER BLADE



Order by Part Number

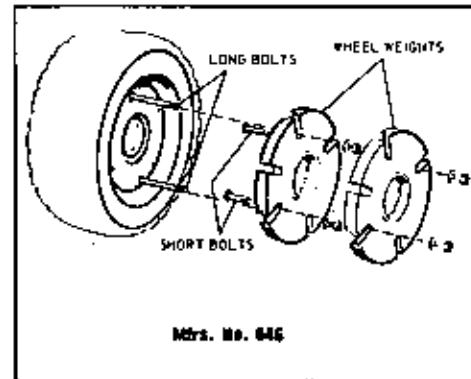
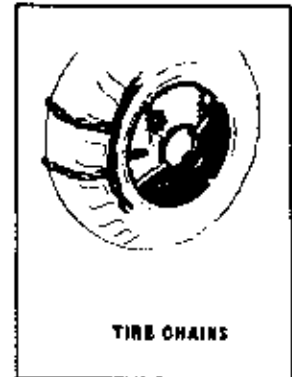
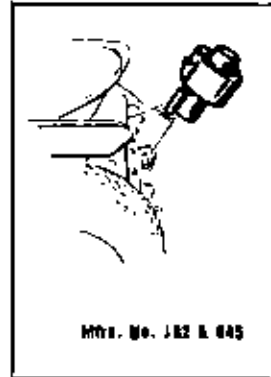
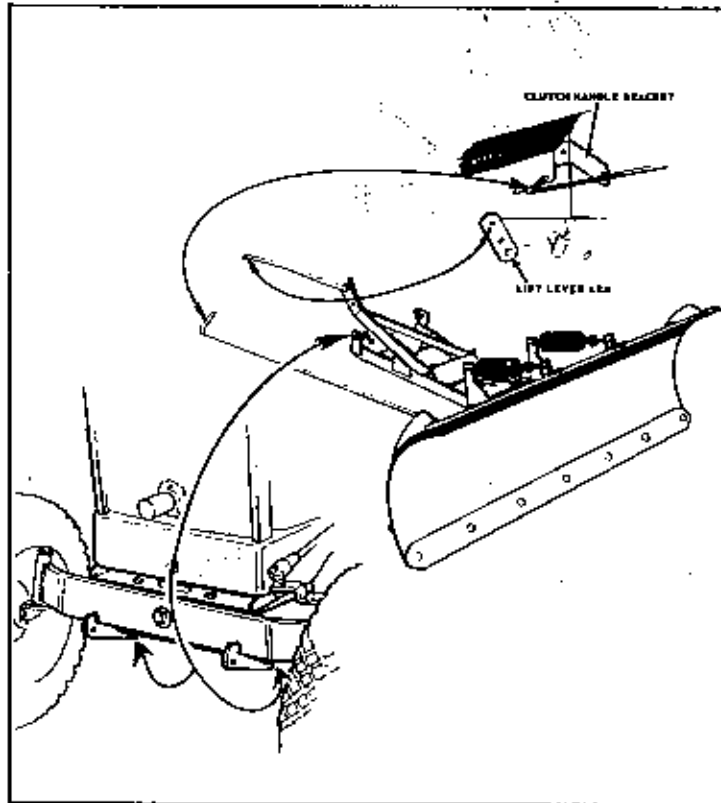
Ref. Letter	Part No.	Description
A	107056	Blade, Grader, 42"
B	107058	Hitch Assembly
C	107062	Draw Bar Assembly
D	118053	Pin
E	8161045	Spring Clip
F	8181008	Pin
G	8021024	Spring Clip
H	705056	Capscrew, Hex Head, 5/8"-11 NC x 3" lg.
J	720005	Lockwasher, 5/8"
K	717004	Nut, Hex, Full, 5/8"-11 NC
L	705055	Capscrew, Hex Head, 5/8"-11 NC x 2" lg.
M	720005	Lockwasher, 5/8"
N	717004	Nut, Hex, Full, 5/8"-11 NC
P	107057	Link
Q	705005	Capscrew, Hex Head, 3/8"-16 NC x 1 1/4" lg.

Order by Part Number

Ref. Letter	Part No.	Description
R	719001	Plain Washer, 3/8"
S	720002	Lock Washer, 3/8"
T	717003	Nut, Hex, Full, 3/8"-16 NC
U	107031	Chain
V	108199	Link
W	705005	Capscrew, Hex Head, 3/8"-16 NC x 1 1/4" lg.
X	717510	Nut, Hex, Full, Lock, 3/8"-16 NC
Y	153058	Pin
Z	8161045	Spring Clip
AA	108198	Lever
AB	705016	Capscrew, Hex Head, 3/8"-16 NC x 1 1/4" lg.
AC	719001	Plain Washer, 3/8"
AD	717510	Nut, Hex, Full, Lock, 3/8"-16 NC
AE	121210	Flat Washer, 1-1/16"

46" DOZER BLADE

Mfrs. No. 356



The 46" Snow plow and Dozer blade can be used with out any weights or chains. **HOWEVER**, by using these items, plowing and dozing will be done more effectively and efficiently.

Using the rear counter weight (Mfg. # 182 with # 645) will ease lifting of the front mounted attachments. This is mounted on the rear lift assy. Using wheel weights (1 or 2 on either side) will provide more traction. By adding chains with the wheel weights additional traction will be experienced. Loose mounting of the chains will assist in their self cleaning.

OPERATION

There are five operating positions for this blade. The position can be changed by the operator without leaving the seat. Turn the control rod clockwise to unlatch the blade. Push or pull rod to the desired position. For ease of changing positions, raise blade slightly from the ground.

By adjusting the shoe assembly, various blade heights can be achieved. Increased height adjustment can be done by adjusting the stoppin in the lift lever quadrant.

If the blade is used with the Hydraulic unit, front or rear float position can be utilized. Using the front float position will provide a downward pressure on the blade. Rear float will give an upward pressure. **HOWEVER** in either position the blade will follow the ground. The Hydraulic Unit can be used for a stationary position also.

The wear plate is reversable. When one side is worn, remove the bolts turn plate around and reinstall bolts.

LUBRICATION

Lubricate all joints where rods enter holes. Also lubricate pivot points. Periodic lubrication will assist in ease of operation.

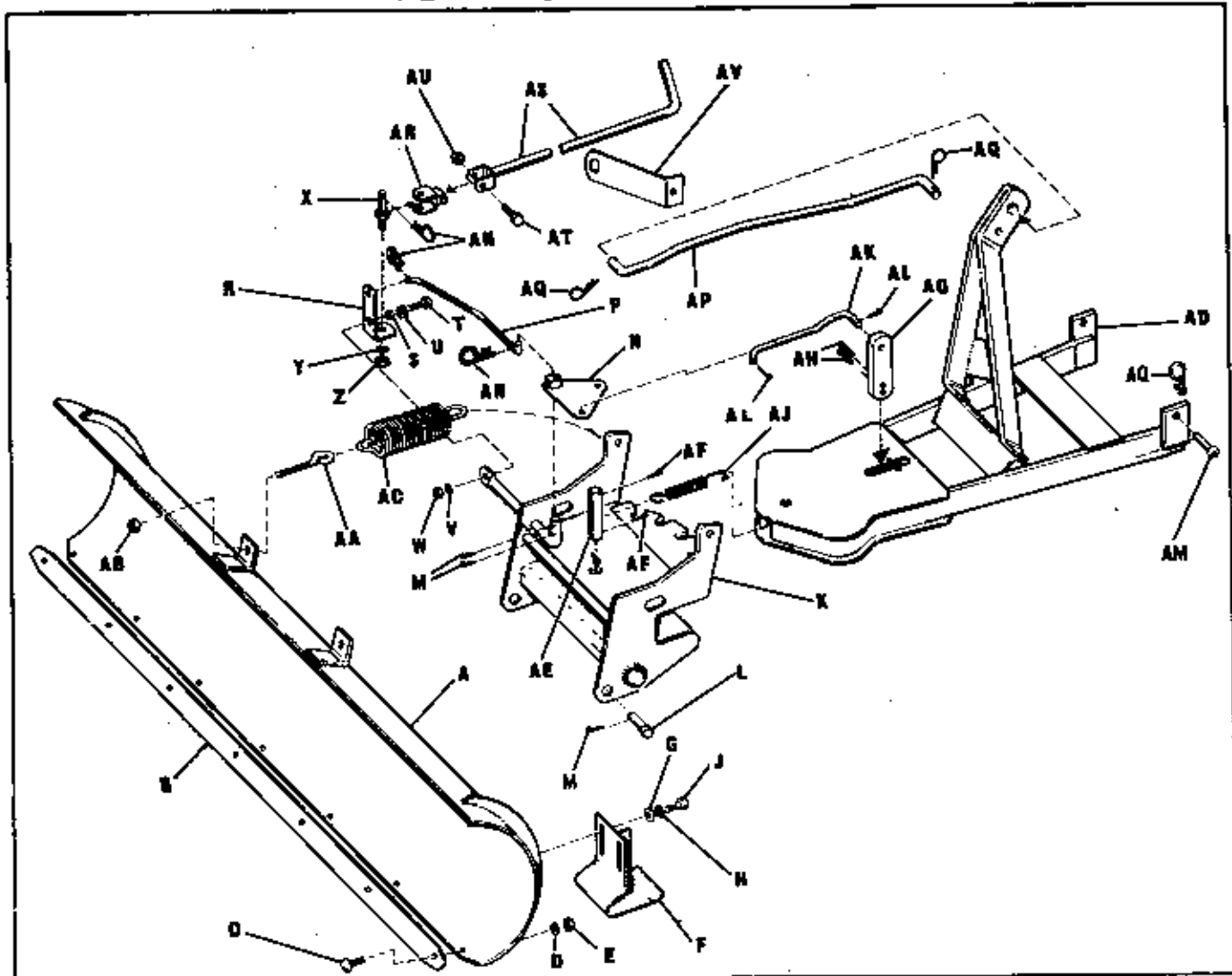
PACKING

The 46" Snow Plow and Dozer Blade comes in one carton with all necessary hardware.

ASSEMBLY

Attach hitch assembly to blade assembly, using the two yoke pins and cotter pins provided. Using the two eye bolts, attach spring from hitch to blade. Allow 1/2" of thread to show thru nuts. Attach to tractor as indicated in Fig. 1 with the two pins and spring clips. Attach blade direction rod bracket to top screw on right hand side of the Fuel Tank & Steering Post Support Assembly. See Fig. 1. (If this bracket has been installed for usage with another implement, it need not be removed). Attach lift rod to tractor lift lever (top Hole) and to plow. Fig. 1. Insert blade direction rod thru bracket and attach to blade. Secure in place with spring clips.

46" DOZER BLADE



Ref. Let.	Part No.	Description
A	107096	Blade Ass'y
B	107105	Wear Plate
C	702002	Carriage Bolt, 3/8"-16 x 1" lg.
D	720002	Lock Washer 3/8"
E	717003	Full Hex Nut 3/8"-16 N.C.
F	107106	Shoe Ass'y.
G	719001	Flat Washer 3/8"
H	720002	Lock Washer 3/8"
J	705004	Hex. Cap Screw 3/8" - 16 x 3/4"
K	107109	Pivot Frame Ass'y
L	154305	Yoke Pin
M	722006	Cotter Pin 1/8 Dia. x 1"
N	107116	Pivot Plate Ass'y
P	107118	Pivot Rod
Q	106687	Bracket
R	107119	Pivot Arm
S	156150	Spacer
T	705007	Hex Cap Screw 5/16"-18 x 1" lg.
U	719002	Plain Washer 5/16"
V	720001	Lock Washer 5/16"
W	717001	Full Hex. Nut 5/16"-18 N.C.
X	107120	Pivot Stud

Ref. Let.	Part No.	Description
Y	720001	Lock Washer 5/16"
Z	717001	Full Hex. Nut 5/16"-18
AA	107121	Eyebolt
AB	717001	Full Hex. Nut 5/16"-18
AC	101126	Spring
AD	107122	Push Bar Ass'y
AE	107133	Pivot Pin 5/8" Dia. x 3-3/8" lg.
AF	722003	Cotter Pin 3/16 x 1-1/4" lg.
AG	107134	Latch
AH	723002	Roll Pin 7/32" Dia. x 1" lg.
AJ	107135	Latch Spring
AK	107136	Latch Rod
AL	722016	Cotter Pin 3/32" Dia. x 5/8"
AM	118053	(Hitch) Pin
AN	106787	Spring Clip
AP	107143	Front Lift- Rod
AQ	106788	Spring Clip
AR	106131	Fork Ass'y
AS	107137	Handle Ass'y
AT	705018	Hex. Cap Screw 5/16"-18 x 1-1/2"
AU	717511	Full Lock Hex. Nut 5/16"-18

FRONT COUNTER WEIGHT . . MFR. NO. 223
 REAR COUNTER WEIGHT . . MFR. NO. 182
 WEIGHT (USE WITH 182) . . MFR. NO. 045
 WHEEL WEIGHT MFR. NO. 536

