
Simplicity®

OPERATOR'S MANUAL

46" SICKLE BAR

MFG. NOS. 210, 346, 402, 465,
538, 548, 623 AND 687

SIMPLICITY MANUFACTURING COMPANY, INC.



SERV. FORM - 1651827
PRINTED IN U.S.A.
744

SIMPLICITY'S NEW EQUIPMENT WARRANTY

The Company warrants Simplicity products to be free from defects in material and workmanship, except the Company makes no warranty, express or implied, with respect to tires, engines, generators and voltage regulators, which are warranted by their respective manufacturers. Any part covered by this warranty which is proven defective within one year (45 days for equipment used for rental, municipal or commercial purposes) under normal use, from date of purchase, will be replaced without charge, provided such part is returned to the factory, (if requested), and is found to be defective upon examination at the factory. This warranty does not apply to any Simplicity products altered outside of the Simplicity factory. **THE FOREGOING WARRANTY IS IN LIEU OF ALL OTHER WARRANTIES, EXPRESS OR IMPLIED, OF MERCHANTABILITY, FITNESS FOR A PARTICULAR PURPOSE, PERFORMANCE, OR OTHERWISE.** The Company's obligation under its warranty is strictly and exclusively limited to the replacement of such parts, and in no event shall the Company be liable for any other damages, whether direct, immediate, incidental, special, or consequential. Simplicity Manufacturing Company, Inc., reserves the right to modify or change specifications without prior notification. There are no warranties which extend beyond the description of any Simplicity product.

SAFETY PRECAUTIONS TO PROTECT YOURSELF AND OTHERS

Read and become familiar with the owner's manual for your tractor and the sickle bar mower before operating the mower.

Do not allow anyone to use the mower unless they have been instructed in how to operate it safely.

Never attempt to adjust, repair, or service the mower while the tractor engine is running.

Do not allow others near the mower while it is operating.

Stay clear of the mower drive belts, pulleys and sickle knife when the tractor engine is running.

Be sure the sickle bar has stopped moving before attempting to adjust, repair, or service the mower. **CAUTION: THE**

SICKLE BAR MAY CONTINUE TO OPERATE A FEW SECONDS AFTER THE CLUTCH HAS BEEN DISENGAGED, AND THE ENGINE IS SHUT OFF.

Mark clearly or remove from the area to be mowed any object which might get caught in or be struck by the sickle bar.

Disengage power to the mower and stop the engine before leaving the operators position.

Operate the mower only in daylight, or good artificial light.

Be especially careful while working around the cutter bar. The cutting edges are very sharp and can cause injury.

Use caution when operating on a sloping surface.

SPECIFICATIONS ARE SUBJECT TO CHANGE WITHOUT NOTICE

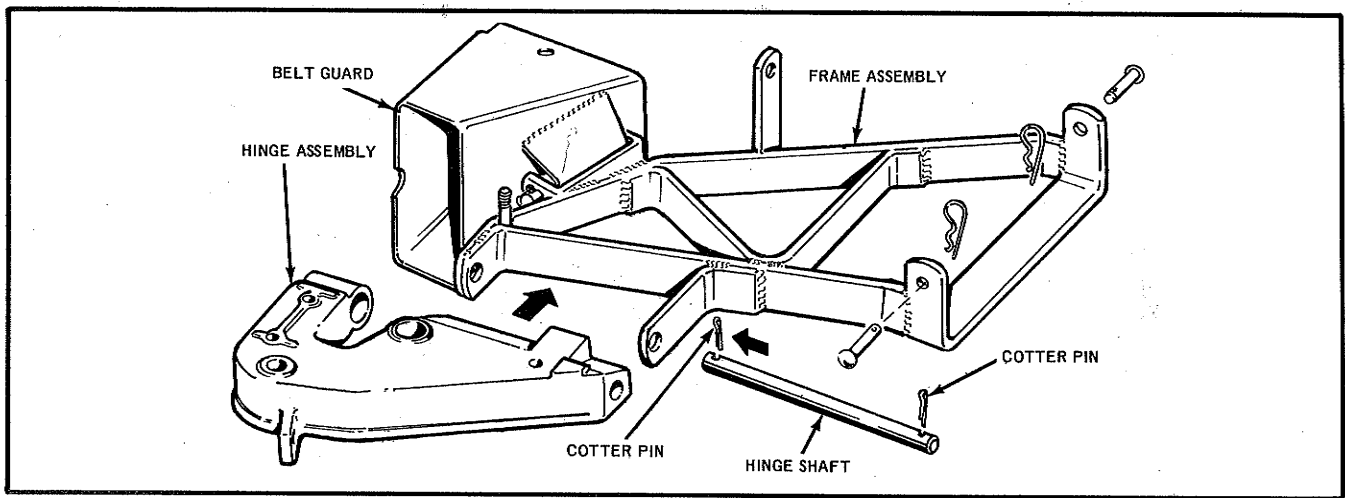


FIGURE 1

PACKING

The 46" Sickle Bar is delivered complete in two cartons. The long carton contains:

- 1 - Divider Board
- 2 - Sickle Bar Assembly
- 3 - Shoe Assembly or Shoe Assembly and Handle Assembly (Mfg. No. 210).

The smaller carton contains:

- 1 - Drive Belt
- 2 - Belt Guard and Frame Assembly
- 3 - Hinge Assembly
- 4 - Sickle Drive Group

Remove all pieces from the cartons and make certain no parts are discarded with the cartons. Should any shortages of the above items occur, advise by stating the packers number listed on the packing slip. State part number and description of the items missing.

ASSEMBLY

Follow the sequence of steps as outlined below.

1. Position the hinge assembly and drive group between the mounting brackets of the frame assembly and insert the hinge shaft and secure with cotter pins. Refer to Figure 1.
2. Assemble the shoe assembly to the inboard end of the sickle bar assembly using two capscrews, lockwashers and hex nuts furnished.
3. Attach the sickle bar assembly to the bottom plate of the cutter bar lever assembly, using two hex capscrews and one plow bolt. Refer to Figure 2. To each of the capscrews, add four flat washers to act as spacers between the cutter bar lever assembly and the sickle bar assembly. Add one flat washer as a spacer for the plow bolt. Secure with lock washers and hex nuts. The plow bolt uses a lock nut instead of a lock washer and hex nut.
4. Connect the free end of the drive link assembly to the sickle head by means of a spacer, hex capscrew, flat washer and hex lock nut as furnished. Insert the spacer into the hole in drive link end so the head of spacer is between the sickle head and drive link. Refer to Figure 3.
5. If sickle bar for Mfg. No. 210 is used, attach the handle assembly to the lift bracket assembly, using one hex cap-

screw and lock nut in the lower mounting hole of handle assembly. The upper mounting hole is for one pin and hair pin cotter. The handle assembly mounts to the face of the lift bracket nearest the drive pulley and will angle slightly away from the cutting edge of the sickle bar. The lock nut in the lower mounting hole must be adjusted to allow the handle to be raised or lowered freely when desired.

6. For all models except Mfg. No. 210, fasten the small loop end of the large tension spring (part no. 101126) to the vertical bracket on frame assembly, using a bushing, hex capscrew, lock washer and hex nut as shown in Figure 4. The opposite end of the tension spring is attached to the lift cable brace as shown. Place bushing on capscrew and insert capscrew with head inside of cable brace lock washer and hex nut on outside. Raise end of cutter blade until spring may be hooked in place over the bushing.

7. Place the drive belt in place on the drive pulley and pull the free end through the belt guard.

8. Attach the divider board to the inner face of the bracket attached to the end of the sickle bar assembly, using one carriage bolt and hex lock nut. Adjust this nut so that the divider board can swivel freely without excessive side clearance. Refer to Figure 5.

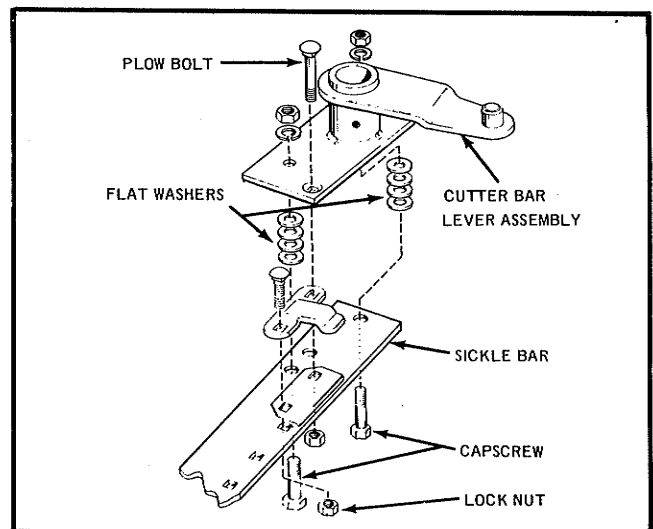


FIGURE 2

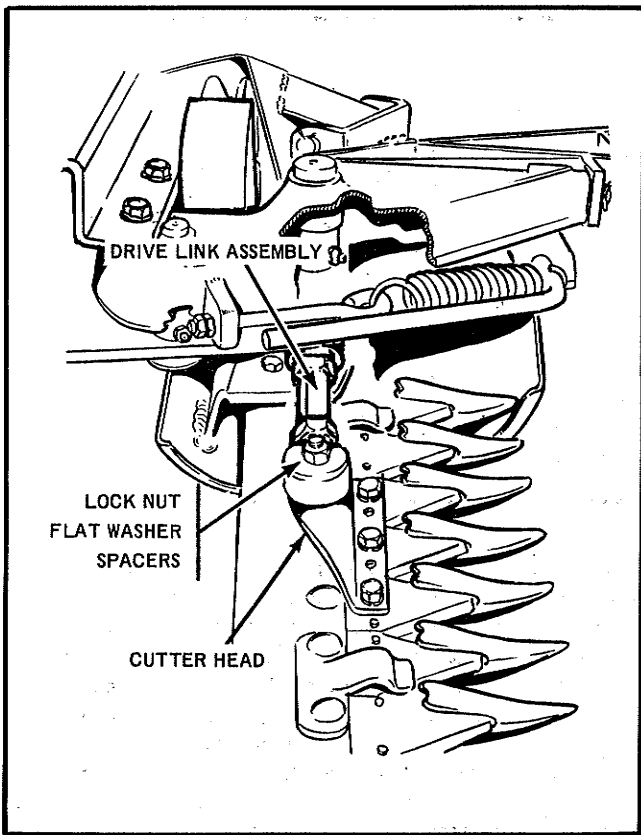


FIGURE 3

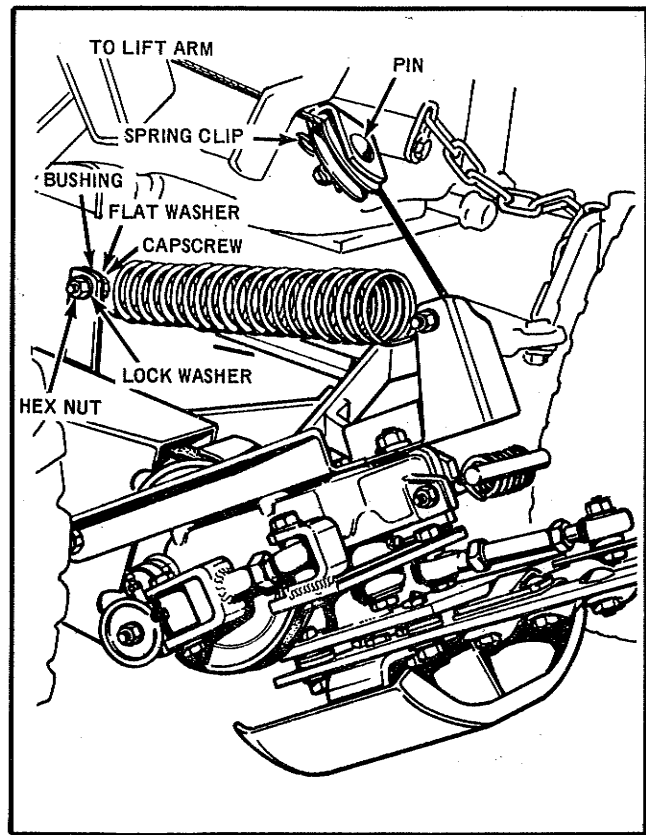


FIGURE 4

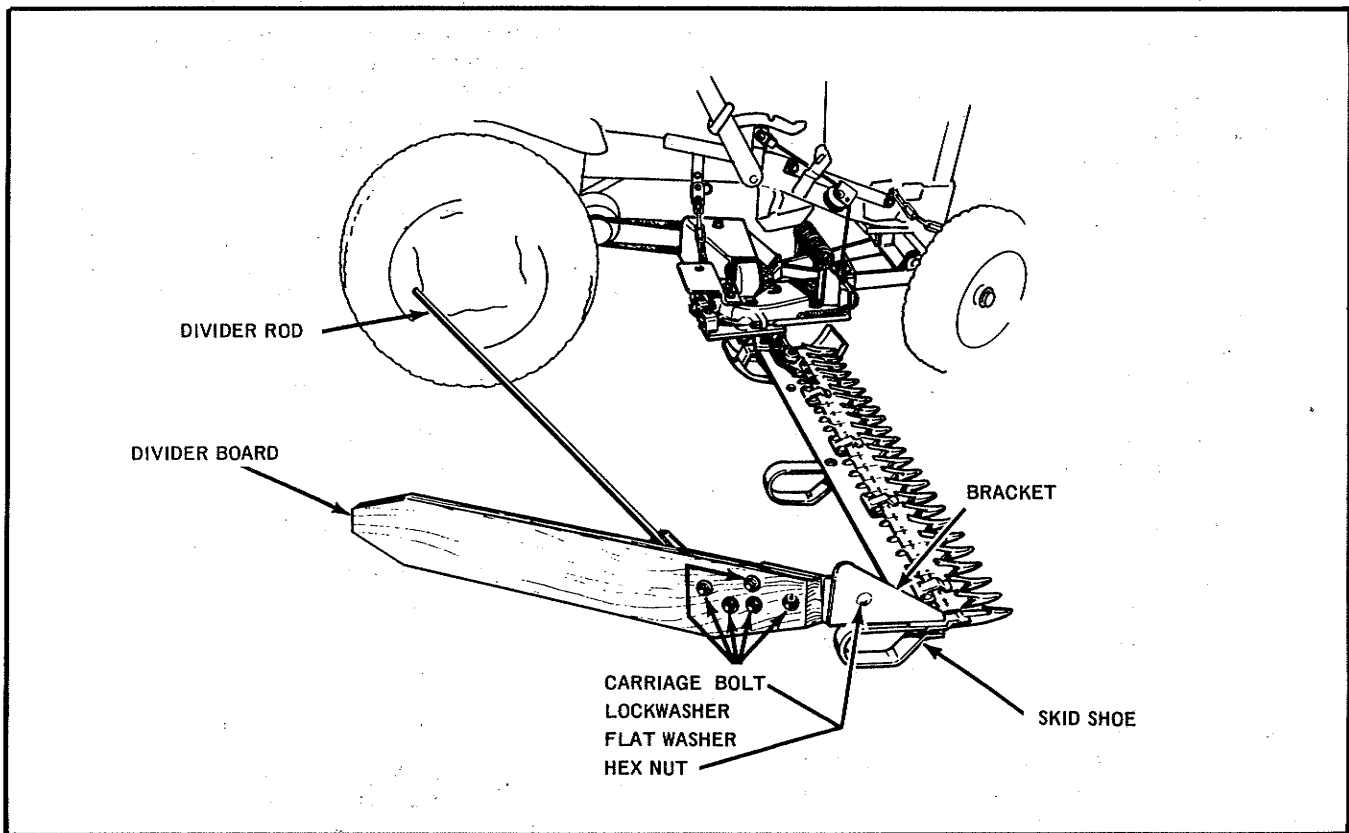


FIGURE 5

ATTACHMENT

For ease of attachment to tractor, follow the sequence of steps as outlined below:

1. Slide the sickle bar frame assembly under the right hand side of the tractor and attach to the front mounting brackets of the tractor with pins and spring clips or cotter pins (Mfg. No. 210) as shown in Figure 6.
2. When using sickle bar for Mfg. No. 210, attach the clutch pedal guard as shown in Figure 7, using the hex capscrew, lock washer and hex nut furnished.

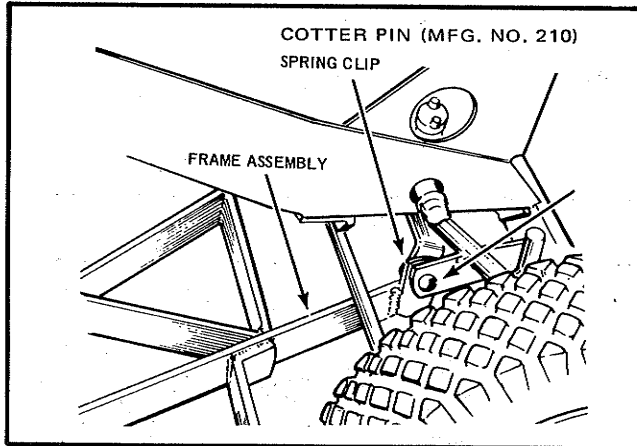


FIGURE 6

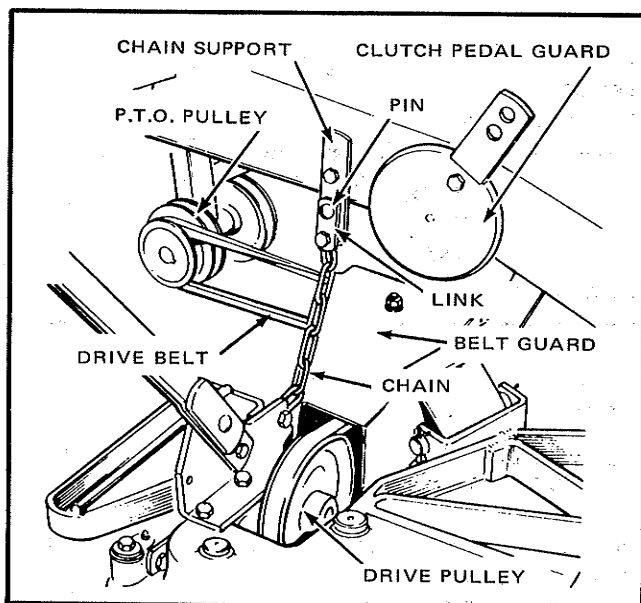


FIGURE 7

3. Attach the chain support to the frame of the tractor as shown in Figure 8, using hex capscrew, lock washer and hex nut furnished. Attach the chain and links to the chain support with a pin and spring clip.
4. Fasten the cable pulley mounting bracket to the right hand side of the tractor as shown in Figure 9, and attach the transport chain to the forward mounting bolt used to fasten the pulley bracket to tractor. The rear mounting bolt is held in place with a lock washer and hex nut on the Model 725 tractor (Mfg. No. 210).

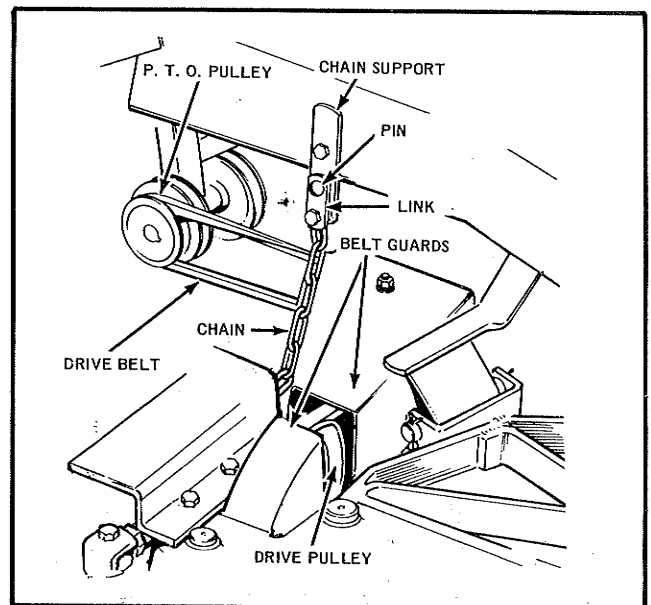


FIGURE 8

Remove the spring clip from the pin holding the cable pulley in its bracket and remove pin and the pulley. Place the lift cable in the groove of the pulley and replace the pulley in the bracket and re-install the pin and spring clip. Attach one end of the lift cable to the lift arm as shown in Figure 4 and attach the lower end of the cable to the lift cable brace on the hinge assembly. Fasten with pins and spring clips.

5. As the power to drive the sickle bar must come from the power take-off of the tractor, it will be necessary to attach the power take-off to the tractor if it is not equipped with one. Refer to the tractor instruction manual for installation of PTO.

With the power take-off attached to the tractor, place the sickle bar drive belt in place on the pulley of sickle bar and attach the free end of the belt in place on smaller section of power take-off drive pulley. Refer to Figure 7 or 8. Make certain that the drive belt rides in the grooves of the idler pulleys located within the belt guard.

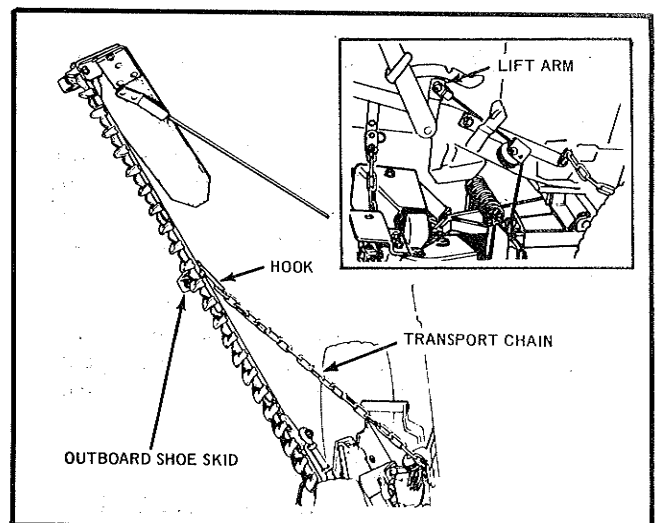


FIGURE 9

OPERATION

Check the lift cable before operating the sickle bar or the handle assembly (Mfg. No. 210) to be certain it is in the raised position. In the event that obstructions should appear in the path of the sickle bar, it will be necessary to lift the sickle bar above the obstructions. This is why it is important to have the lift cable properly installed or handle properly positioned prior to operation of the sickle bar.

Place the tractor transmission in neutral and the power take-off disengaged while the tractor engine is started.

Engage 1st gear and engage the power take-off before releasing the tractor clutch.

NOTE: The sickle bar must be in operation before beginning to move through material to be cut!

When transporting the sickle bar, the sickle bar must be swung up (handle low position, Mfg. No. 210) and locked in the raised position by the transport chain. The hook of the transport chain may be conveniently attached to the outboard skid shoe as shown in Figure 9.

The sickle bar is equipped with a latch device which will release and allow the sickle bar assembly to pivot towards the rear of the tractor in event of collision with a solid object. To re-set, shut off tractor engine and stop sickle bar before pulling the end of sickle bar towards front of tractor until it latches. To reset sickle bar Mfg. No. 210, hold lift handle firmly while reversing tractor.

LUBRICATION

The 46" Sickle Bar is lubricated through grease fittings located as follows:

Crank Shaft Housing	1
Pitman Bearing Housing	2
Rocker Arm Shaft Housing	1
Cutter Bar Shaft Housing	1
Pivot Block (Mfg. No. 210)	2
Link Assembly (Mfg. No. 210)	2

Refer to Figure 10 and 11 for the location of the grease fittings.

Lubricate these fittings after every hour of operation, with a standard grease gun loaded with a general purpose automotive type grease. Before applying grease wipe each fitting with a rag to remove dirt and grit. Avoid forcing dirt into the bearings with the clean grease.

Apply SAE No. 10 oil to the wear plates and sickle bar clips every one or two hours of steady operation. Occasionally add oil to bearings of idler pulleys in the belt guard housing.

DO NOT ATTEMPT TO LUBRICATE THE SICKLE BAR WHILE IT IS IN OPERATION.

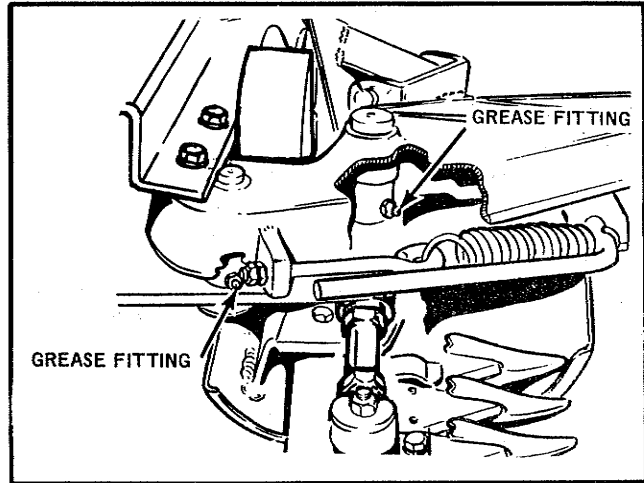


FIGURE 10

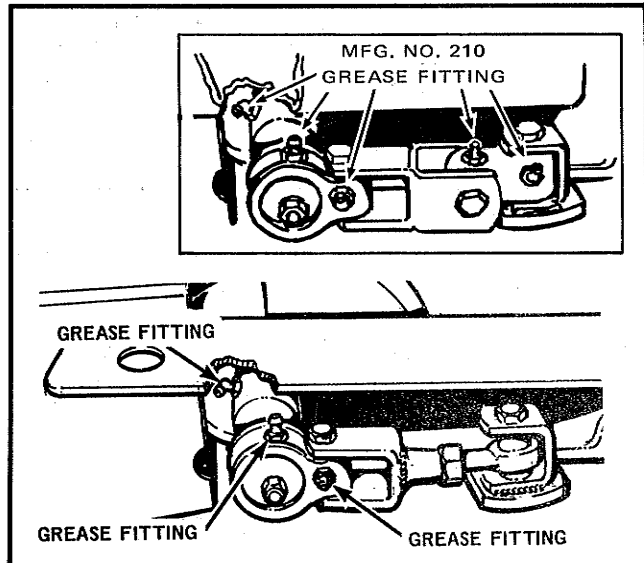


FIGURE 11

CAUTION

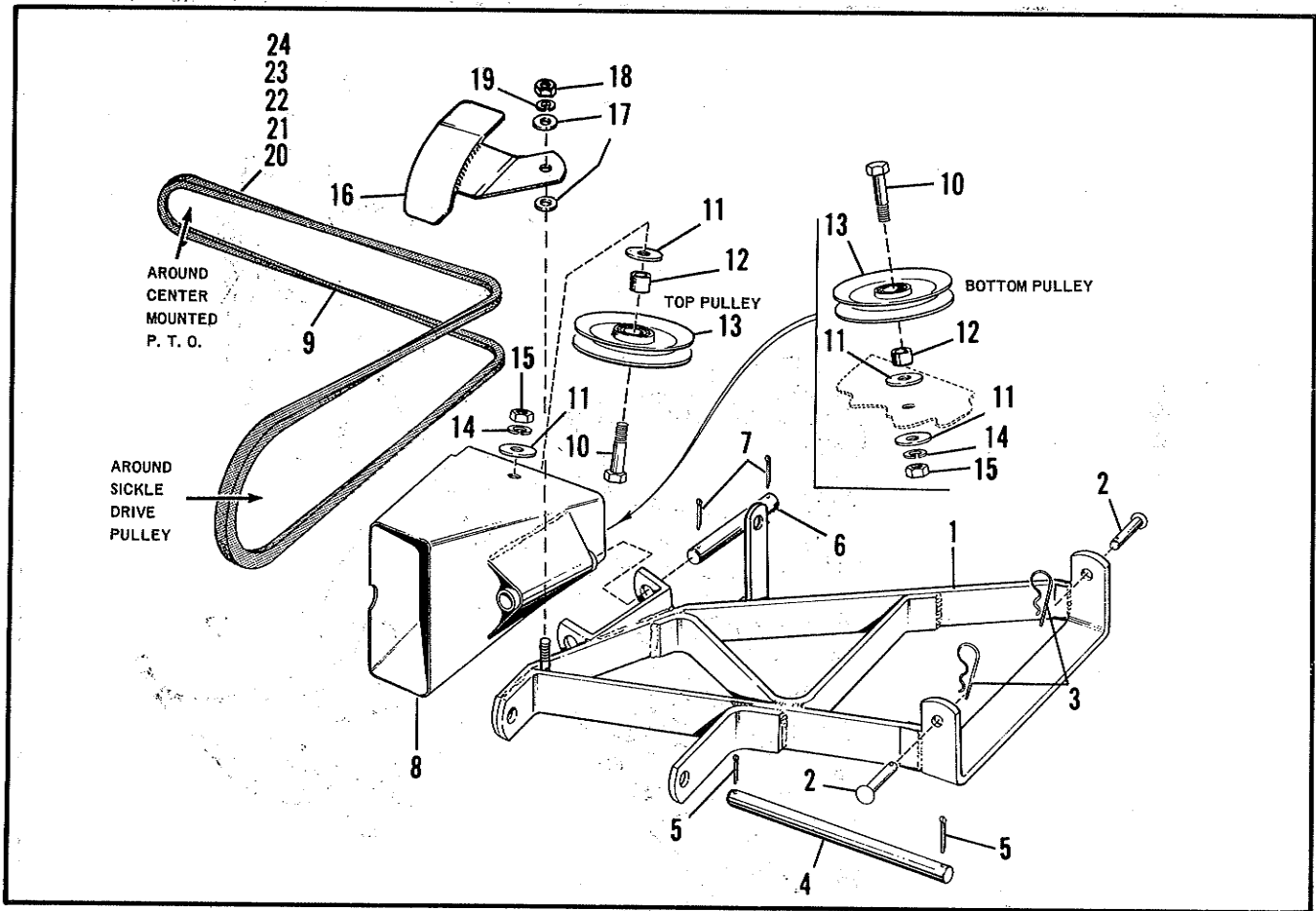
THIS SICKLE BAR MUST NOT BE OVER-SPEEDED, AS PERMANENT DAMAGE MAY RESULT.

Set the tractor engine speed to give a ground speed equal to a fast walk when the tractor transmission is in 3rd gear. Mark this point on the throttle control lever quadrant, and **DO NOT EXCEED THIS SPEED OR SETTING IN ANY GEAR.**

It is the responsibility of the operator to see that the area where the Sickle Bar will be used is free of all types of foreign material. This includes wire, rope, rags, sticks, bottles, cans, pipe, rocks, etc. These represent potential dangers to the sickle bar and operator, and are certain to damage the sickle bar.

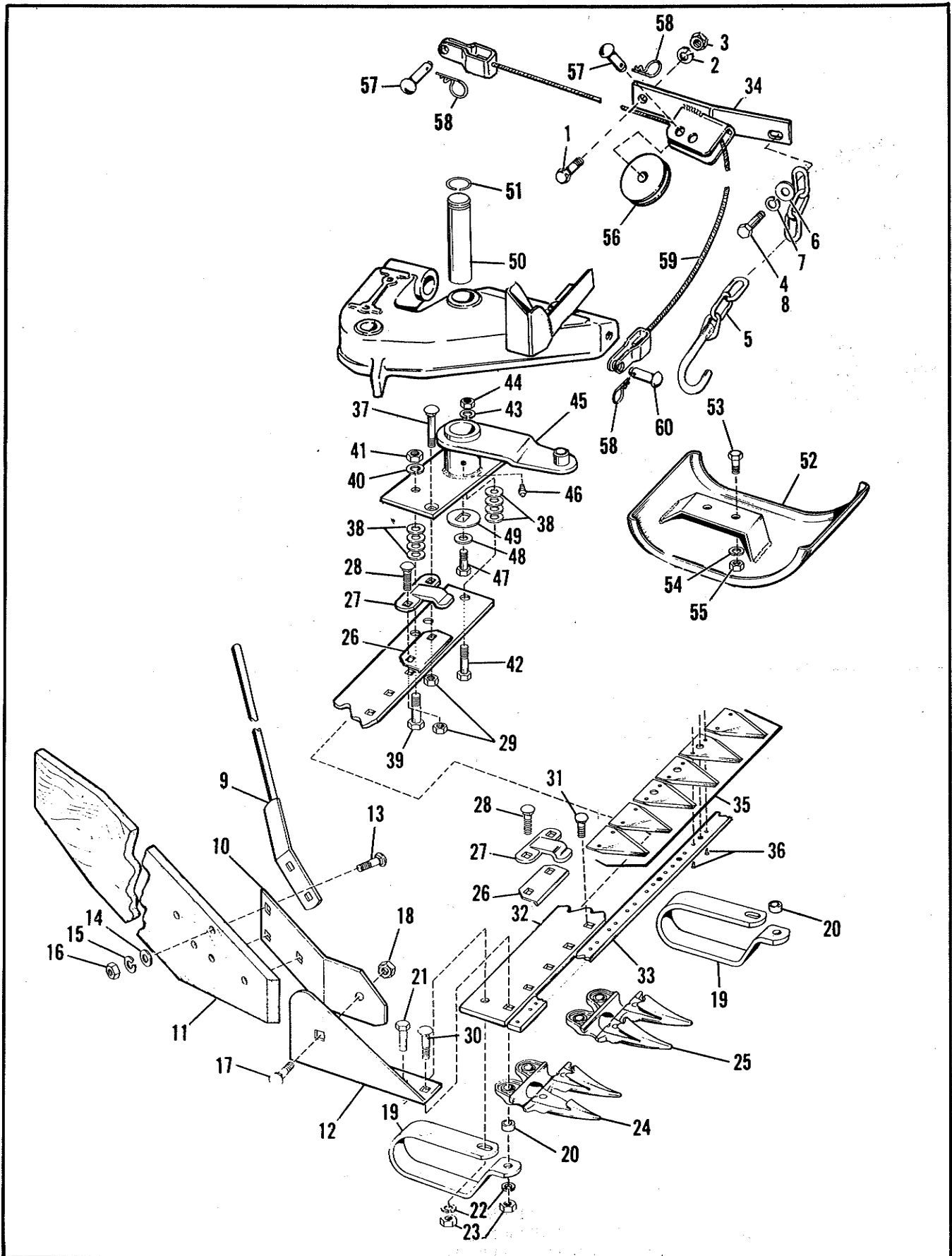
Always be on the alert for obstacles when mowing, and never leave the sickle bar in operation while unattended.

FRAME GROUP MFG. NOS. 346, 402, 465
538, 548, 623 AND 687



Ref. No.	Part No.	Description
1	101129	Frame Assembly
2	118053	Pin
3	8161045	Clip, Spring
4	101015	Shaft, Hinge
5	722011	Pin, Cotter, 3/16" x 1" lg.
6	101059	Shaft, Idler Pulley Bracket
7	722011	Pin, Cotter, 3/16" x 1" lg.
8	101054	Guard Assembly, Belt
9	101136	Belt, "V" for Mfg. No. 346
10	705010	Capscrew, Hex Hd., 3/8"-16 x 1-3/4" lg.
11	719001	Washer, Plain 3/8"
12	157081	Spacer
13	101096	Pulley, Idler (w/ball bearing)
14	720002	Lock Washer, 3/8"
15	717003	Nut, Hex, Full, 3/8"-16
16	101117	Guard Assembly Belt
17	719001	Washer Plain
18	717003	Nut, Hex, Full, 3/8"-16
19	720002	Washer Lock, 3/8"
20	156120	Belt, "V" for Mfg. No. 402 and 465
21	101136	Belt, "V" for Mfg. No. 538
22	156120	Belt, "V" for Mfg. No. 548
23	101137	Belt, "V" for Mfg. No. 623
24	173073	Belt, "V" for Mfg. No. 687

SICKLE GROUP MFG. NOS. 346, 402
465, 538, 548, 623 AND 687

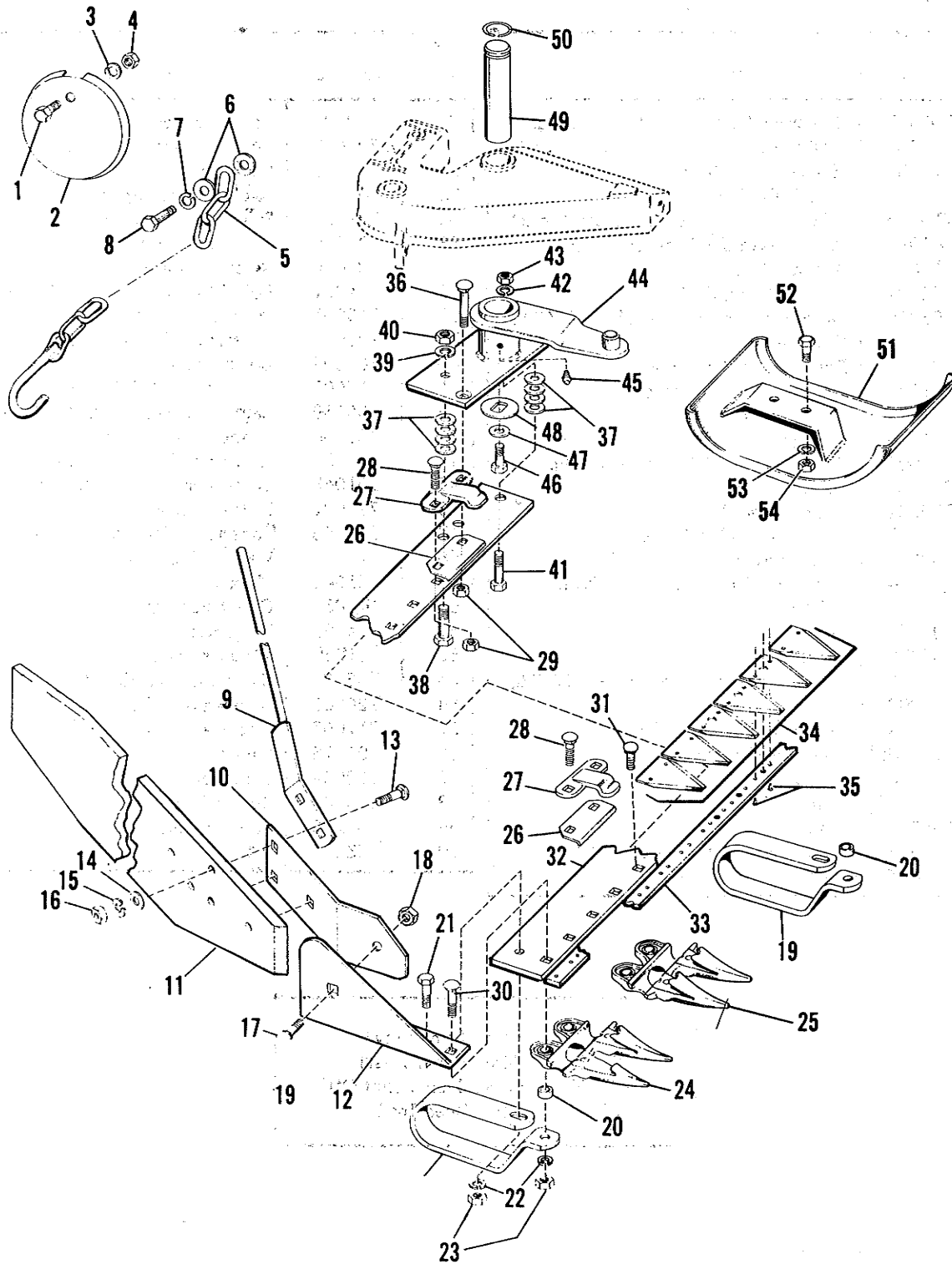


**SICKLE GROUP MFG. NOS. 346, 402
465, 538, 548, 623 AND 687**

Ref. No.	Part No.	Description	Ref. No.	Part No.	Description
1	705007	Capscrew, Hex Hd. 5/16-18 x 1" lg.	30	702006	Bolt, Carriage, 3/8-16 x 1-3/4" lg.
2	720001	Washer Lock, 5/16" (725 Only-Rear)	31	702002	Bolt, Carriage, 3/8-16 x 1" lg.
3	717001	Hex Nut Full, 5/16-18 (725 Only-Rear)	32	101070	Bar Cutter
4	715046	5/16-18 x 1-1/4" lg. (Landlord Front)	33	101069	Sickle Bar, Complete
5	101085	Chain Assembly, Transport	34	101112	Pulley Mounting Assy.
6	719001	Washer, Plain	35	101099	Complete Set of Sections
7	720002	Washer, Lock, 3/8"	36	724010	Rivet, Round Head, No. 6x1/2" lg.
8	705016	Capscrew, Hex Hd. 3/8-16 x 1-1/4" lg. (725 Front)	37	704001	Bolt, Plow, 3/8"-16 x 1-3/4" lg.
9	101079	Divider Rod Assembly	38	719001	Washer, Plain, 3/8"
10	101077	Support, Divider Board	39	705009	Capscrew, Hex Hd., 3/8"-16 x 1-1/2" lg.
11	101078	Board, Divider	40	702002	Lockwasher, 3/8"
12	101075	Bracket	41	717003	Nut, Hex Full, 3/8"-16
13	702005	Bolt, Carriage, 3/8-16 x 1-1/2" lg.	42	705039	Capscrew, Hex Hd. 7/16-14x1-1/2" lg.
14	719001	Washer, Plain, 3/8"	43	720006	Washer, Lock, 7/16"
15	720002	Lockwasher, 3/8"	44	717022	Nut, Hex, Full, 7/16-14
16	717003	Nut, Hex, Full, 3/8"-16	45	101043	Lever Assembly, Cutter Bar
17	702002	Bolt, Carriage, 3/8-16 x 1" lg.	46	727002	Fitting, Grease
18	717504	Nut, Hex, Full, Elastic Stop Nut, 3/8-16	47	705005	Capscrew, Hex Hd., 3/8-16 x 1" lg.
19	101076	Shoe	48	719001	Washer, Plain, 3/8"
20	153073	Spacer	49	101049	Washer
21	705016	Capscrew, Hex Hd., 3/8-16 x 1-1/4" lg.	50	101031	Cutter Bar Shaft
22	720002	Lockwasher, 3/8"	51	154291	Ring, Retaining
23	717003	Nut, Hex, Full, 3/8"-16	52	101066	Shoe Assembly
24	8161138	Guard, Right End	53	705005	Capscrew, Hex Hd. 3/8"-16 x 1" lg.
25	8161135	Guard Twin	54	720002	Lockwasher, 3/8"
26	8161136	Plate, Wear	55	717003	Nut, Hex, Full, 3/8"-16
27	101071	Clip, Sickle	56	101115	Pulley
28	702004	Bolt, Carriage, 3/8-16 x 1-1/4" lg.	57	102004	Pin Pivot
29	717003	Nut, Hex, Full, 3/8"-16	58	8161045	Spring Clip
			59	101116	Cable Assembly
			60	153058	Pin

155061	Decal (Simplicity)
101120	Film (Safety First)
101121	Film (Engine Shut Off)
101122	Film (Oper. Ins.)

SICKLE GROUP MFG. NO. 210

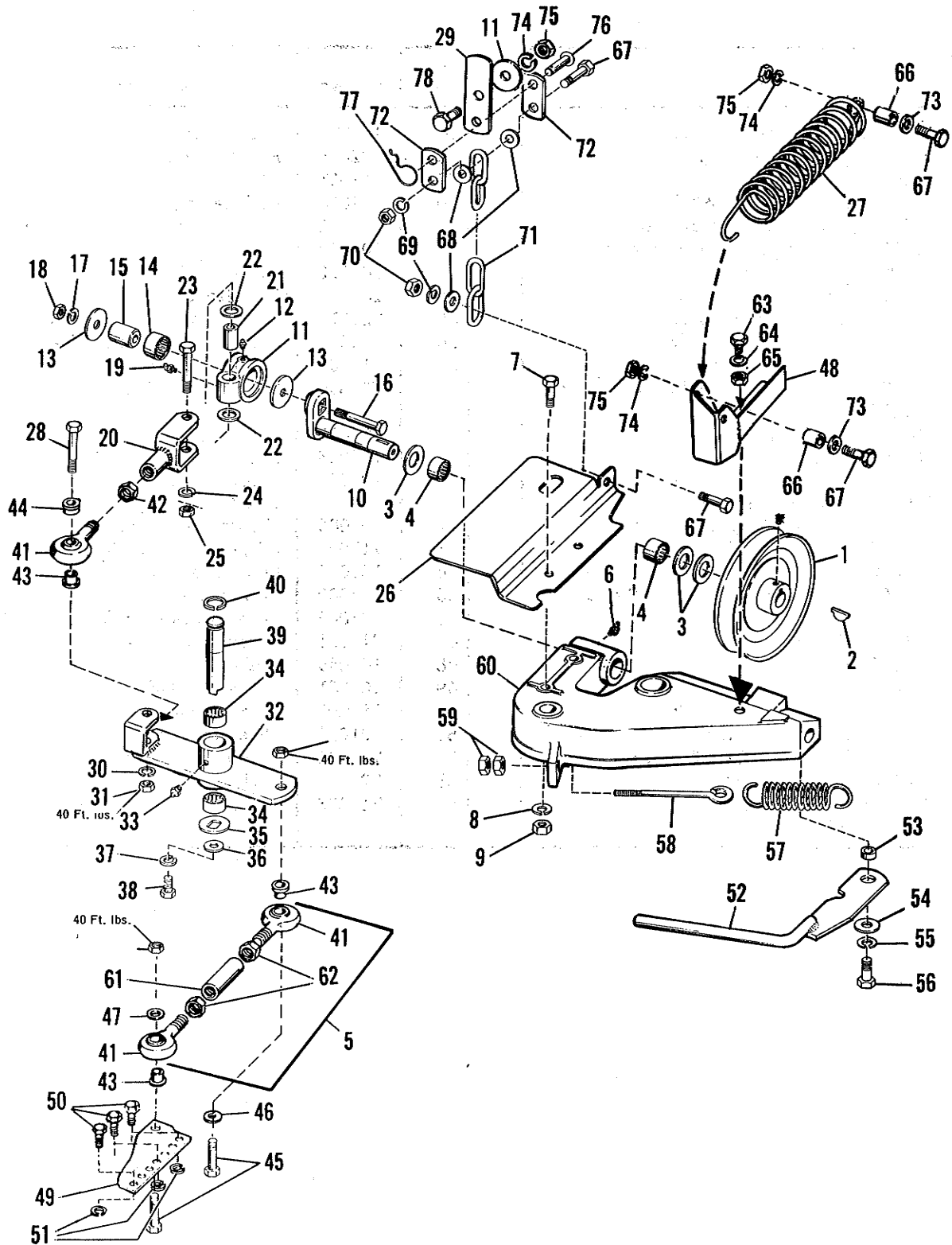


SICKLE GROUP MFG. NO. 210

Ref. No.	Part No.	Description
1	705005	Capscrew, Hex Hd., 3/8"-16 x 1" lg.
2	101082	Guard, Clutch Pedal
3	720002	Lock Washer, 3/8"
4	717003	Nut, Hex, Full, 3/8"-16
5	101085	Chain Assembly, Transport
6	719001	Washer, Plain, 3/8"
7	720002	Washer, Lock, 3/8"
8	705016	Capscrew, Hex Hd., 3/8"-16 x 1-1/4" lg.
9	101079	Divider Rod Assembly
10	101077	Support, Divider Board
11	101078	Board, Divider
12	101075	Bracket
13	702005	Bolt, Carriage, 3/8"-16 x 1-1/2" lg.
14	719001	Washer, Plain, 3/8"
15	720002	Lock Washer, 3/8"
16	717003	Nut, Hex, Full, 3/8"-16
17	702002	Bolt, Carriage, 3/8"-16 x 1" lg.
18	717504	Nut, Hex, Full, Elastic Stop Nut, 3/8"-16
19	101076	Shoe
20	153073	Spacer
21	705016	Capscrew, Hex Hd., 3/8"-16 x 1-1/4" lg.
22	720002	Lock Washer, 3/8"
23	717003	Nut, Hex, Full, 3/8"-16
24	8161138	Guard, Right End
25	8161135	Guard, Twin
26	8161136	Plate, Wear

Ref. No.	Part No.	Description
27	101071	Clip, Sickle
28	702004	Bolt, Carriage, 3/8"-16 x 1-1/4" lg.
29	717003	Nut, Hex, Full, 3/8"-16
30	702006	Bolt, Carriage, 3/8"-16 x 1-3/4" lg.
31	702002	Bolt, Carriage, 3/8"-16 x 1" lg.
32	101070	Bar, Cutter
33	101072	Sickle Bar, Complete
34	101091	Complete Set of Sections
35	724010	Rivet, Round Head, No. 6 x 1/2" lg.
36	704001	Bolt, Plow, 3/8"-16 x 1-3/4" lg.
37	719001	Washer, Plain, 3/8"
38	705009	Capscrew, Hex Hd., 3/8"-16 x 1-1/2" lg.
39	702002	Lock Washer, 3/8"
40	717003	Nut, Hex, Full, 3/8"-16
41	705039	Capscrew, Hex Hd., 7/16"-14 x 1-1/2" lg.
42	702006	Washer, Lock, 7/16"
43	717022	Nut, Hex, Full, 7/16"-14
44	101043	Lever Assembly, Cutter Bar
45	727002	Fitting, Grease
46	705005	Capscrew, Hex Hd., 3/8"-16 x 1" lg.
47	719001	Washer, Plain, 3/8"
48	101049	Washer
49	101031	Cutter Bar Shaft
50	154291	Ring, Retaining
51	101066	Shoe Assembly
52	705005	Capscrew, Hex Hd. 3/8"-16 x 1" lg.
53	720002	Lock Washer, 3/8"
54	717003	Nut, Hex, Full, 3/8"-16

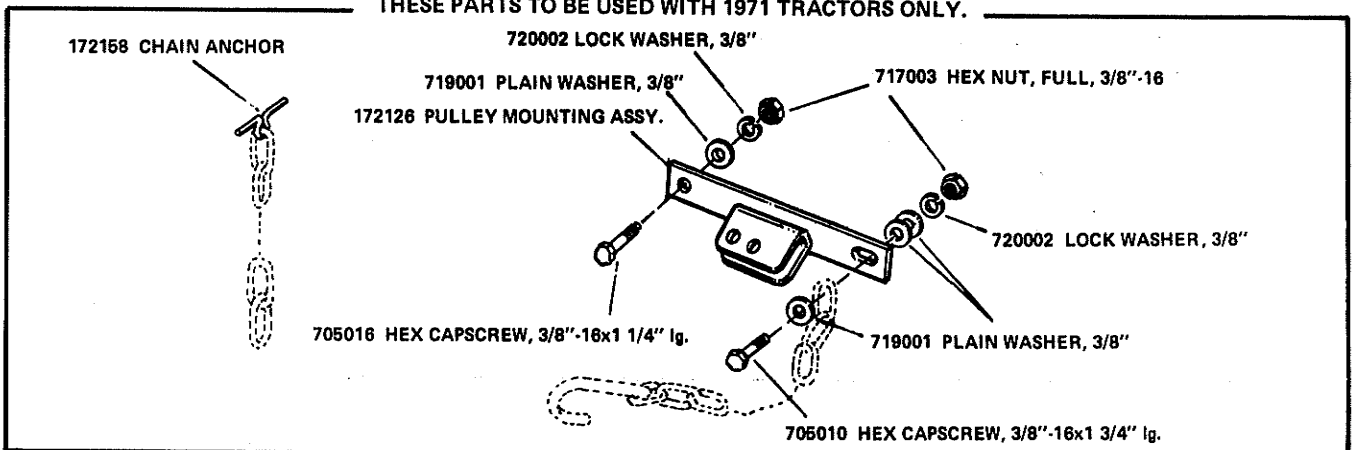
DRIVE GROUP MFG. NOS. 346, 402,
465, 538, 548, 623 AND 687



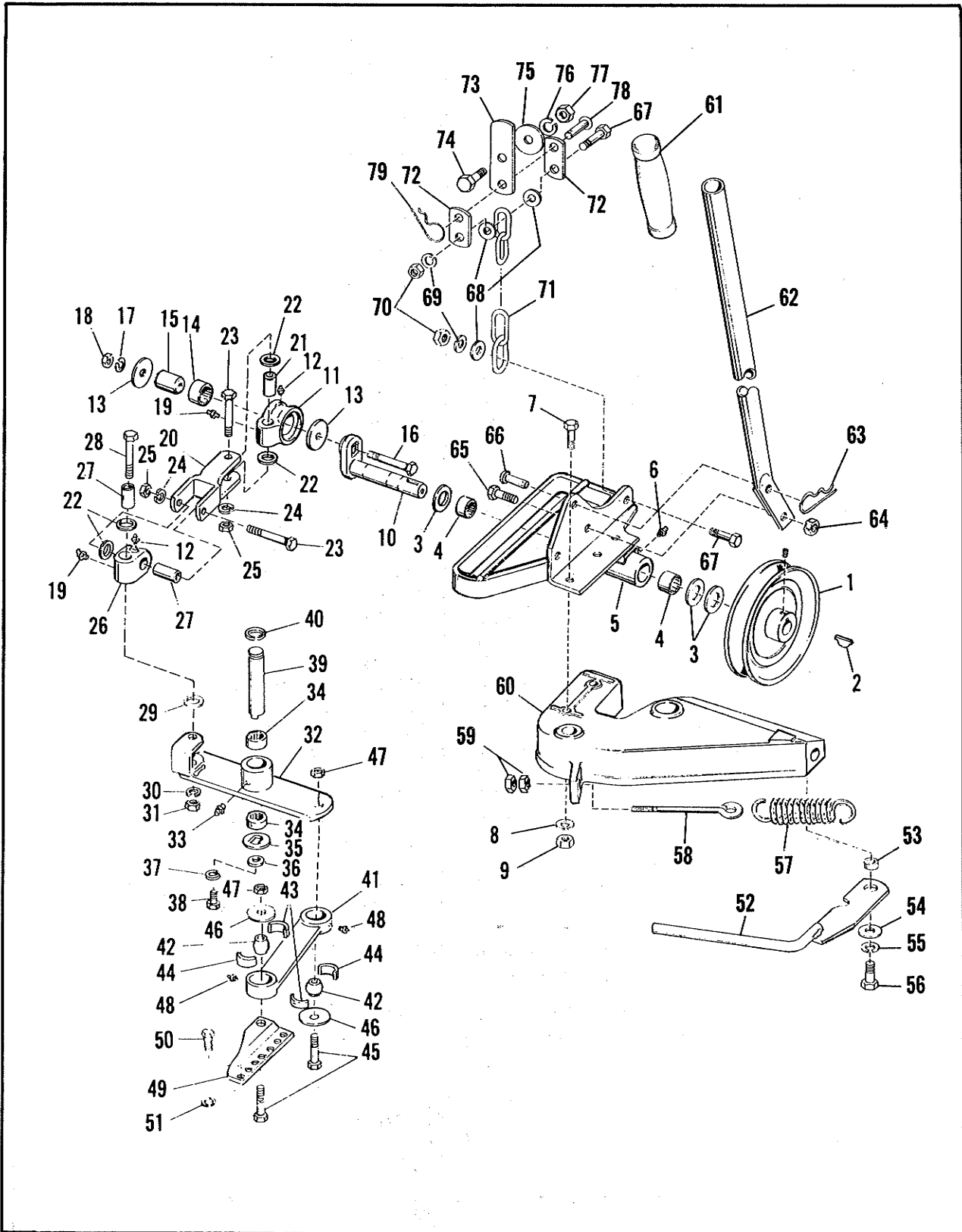
DRIVE GROUP MFG. NOS. 346, 402,
465, 538, 548, 623 AND 687

Ref. No.	Part No.	Description	Ref. No.	Part No.	Description
1	106485	Drive Pulley	40	154264	Ring, Retaining
2	725504	Key, Hi-Pro	41	101106	Rod End
3	101022	Washer	42	717016	Nut, Hex, Full, 1/2"-20
4	154258	Bearing, Needle	43	101107	Spacer
5	101110	Rod End Assembly	44	101108	Spacer
6	727004	Fitting, Grease	45	121184	Bolt, Hex Hd.
7	705005	Capscrew, Hex Hd., 3/8"-16 x 1" lg.	46	719002	Washer
8	720002	Lockwasher, 3/8"	47	717515	Nut, Hex, Full, Lock, 3/8"-24
9	717003	Nut, Hex, Full, 3/8"-16	48	101134	Mounting Assembly Cable
10	101006	Shaft, Crank	49	101074	Head, Sickle
11	8161196	Housing, Pitman Bearing	50	706016	Capscrew, Hex Hd. 5/16-24 x 5/8" lg.
12	727002	Fitting, Grease	51	720001	Washer, Lock, 5/16"
13	8161199	Washer	52	101050	Latch Assembly
14	8161198	Bearing, Needle	53	101053	Spacer, Latch
15	8161197	Race, Inner, Pitman Bearing	54	719003	Washer, Plain
16	715036	Capscrew, Hex Hd., 3/8-16 x 2-1/4" lg.	55	720006	Lockwasher, 7/16"
17	720002	Lockwasher, 3/8"	56	705042	Capscrew, Hex Hd., 7/16"-14x1-1/4" lg.
18	717003	Nut, Hex, Full, 3/8"-16	57	101064	Spring
19	727006	Fitting, Grease, (45°)	58	101065	Eye Bolt
20	101104	Clevis Assembly, Pitman	59	717001	Nut, Hex, Full, 5/16"-18
21	8161056	Bearing, Pivot Block	60	101109	Hinge
22	101025	Washer	61	101111	Pivot End Rod
23	715036	Capscrew, Hex Hd., 3/8-16 x 2-1/4" lg.	62	717016	Nut Hex Jam, 1/2"-20
24	720002	Lockwasher, 3/8"	63	705041	Capscrew, Hex Hd., 7/16-14x1" lg.
25	717003	Nut, Hex, Full, 3/8"-16	64	720006	Washer Lock, 7/16"
26	101103	Shield	65	717022	Nut, Hex Full
27	101126	Spring	66	153073	Spacer
28	715043	Capscrew, Hex Hd., 3/8"-16x2-1/2"lg.	67	705005	Capscrew, Hex Hd., 3/8"-16x1"lg.
29	101083	Chain Support	68	719001	Washer, Plain, 3/8"
30	720002	Lockwasher, 3/8"	69	720002	Lockwasher, 3/8"
31	717003	Nut, Hex, Full, 3/8"-16	70	717003	Nut, Hex, Full, 3/8"-16
32	101095	Rocker Arm Assembly	71	101084	Chain, Lift
33	727002	Fitting, Grease	72	108199	Link, Mower Lift
34	154258	Bearing, Needle	73	719001	Washer, Plain, 3/8"
35	101035	Washer	74	720002	Washer, Lock, 3/8"
36	719001	Washer, Plain, 3/8"	75	717003	Hex, Nut, Full, 3/8"-16
37	720002	Lockwasher, 3/8"	76	153058	Pin
38	705004	Capscrew, Hex Hd., 3/8"-16x3/4" lg.	77	8161045	Clip, Spring
39	101030	Shaft, Rocker Arm	78	705005	Capscrew, Hex Hd. 3/8"-16x1" lg.

THESE PARTS TO BE USED WITH 1971 TRACTORS ONLY.



DRIVE GROUP MFG. NO. 210

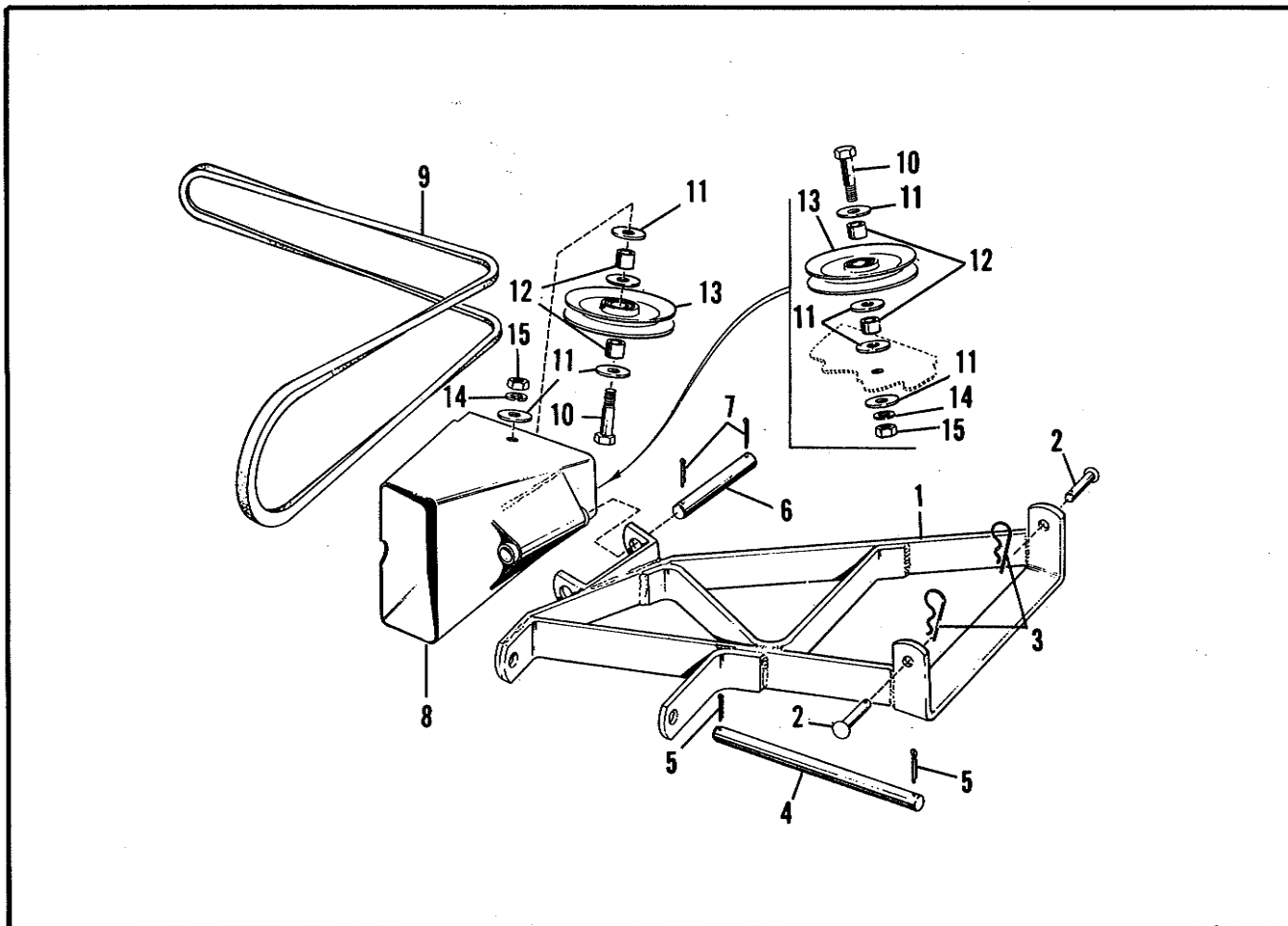


DRIVE GROUP MFG. NO. 210

Ref. No.	Part No.	Description
1	101023	Drive Pulley
2	725504	Key, Hi-Pro
3	101022	Washer
4	154258	Bearing, Needle
5	101016	Bracket Assembly, Lift
6	727006	Fitting, Grease
7	715041	Capscrew, Hex Hd., 7/16-14x1-1/4"lg.
8	720006	Lockwasher, 7/16"
9	717015	Nut, Hex, Full, 7/16-14
10	101006	Shaft, Crank
11	101024	Housing, Pitman Bearing
12	727002	Fitting, Grease
13	8161199	Washer
14	8161198	Bearing, Needle
15	8161197	Race, Inner, Pitman Bearing
16	715036	Capscrew, Hex Hd., 3/8"-16 x 2-1/4"lg.
17	720002	Lockwasher, 3/8"
18	717003	Nut, Hex, Full, 3/8"-16
19	727004	Fitting, Grease, 90°
20	101088	Clevis Assembly, Pitman
21	8161056	Bearing, Pivot Block
22	101025	Washer
23	715036	Capscrew, Hex Hd., 3/8"-16x2-1/4" lg.
24	720002	Lockwasher, 3/8"
25	717003	Nut, Hex, Full, 3/8"-16
26	8161052	Block, Pivot
27	8161056	Bearing
28	715043	Capscrew, Hex Hd., 3/8"-16x2-1/2"lg.
29	719001	Washer, Plain, 3/8"
30	720002	Lockwasher, 3/8"
31	717003	Nut, Hex, Full, 3/8"-16
32	101095	Rocker Arm Assembly
33	727002	Fitting, Grease
34	154258	Bearing, Needle
35	101035	Washer
36	719001	Washer, Plain, 3/8"
37	720002	Lockwasher, 3/8"
38	705004	Capscrew, Hex Hd., 3/8"-16x3/4" lg.
39	101030	Shaft, Rocker Arm
40	154264	Ring, Retaining

Ref. No.	Part No.	Description
41	101037	Link Assembly
42	101040	Ball, Link
43	101041	Bushing, Ball, Half
44	101042	Bushing, Ball, Half
45	121184	Bolt, Hex Hd.
46	8161199	Washer
47	717515	Nut, Hex, Full, Lock, 3/8"-24
48	727002	Fitting, Grease
49	101074	Head, Sickle
50	706016	Capscrew, Hex Hd. 5/16"-24x5/8" lg.
51	720001	Washer, Lock, 5/16"
52	101050	Latch Assembly
53	101053	Spacer, Latch
54	719003	Washer, Plain
55	720006	Lockwasher, 7/16"
56	705042	Capscrew, Hex Hd., 7/16"-14x1-1/4" lg.
57	101064	Spring
58	101065	Eye Bolt
59	717001	Nut, Hex, Full, 5/16"-18
60	101029	Hinge
61	155038	Grip, Handle
62	101061	Handle Assembly
63	8161045	Clip, Spring
64	717510	Nut, Hex, Full, Lock, 3/8"-16
65	705005	Capscrew, Hex Hd., 3/8"-16 x 1" lg.
66	8271015	Pin
67	705005	Capscrew, Hex Hd., 3/8"-16 x 1" lg.
68	719001	Washer, Plain, 3/8"
69	720002	Lockwasher, 3/8"
70	717003	Nut, Hex, Full, 3/8"-16
71	101084	Chain, Lift
72	108199	Link, Mower Lift
73	101083	Support, Chain
74	705005	Capscrew, Hex Hd., 3/8"-16 x 1" lg.
75	8161199	Washer
76	720002	Lockwasher, 3/8"
77	717003	Nut, Hex, Full, 3/8"-16
78	153058	Pin
79	8161045	Clip, Spring

FRAME GROUP MFG. NO. 210



Ref. No.	Part No.	Description
1	101008	Frame Assembly
2	118053	Pin
3	8161045	Clip, Spring
4	101015	Shaft, Hinge
5	722011	Pin, Cotter, 3/16" x 1" lg.
6	101059	Shaft, Idler Pulley Bracket
7	722011	Pin, Cotter, 3/16" x 1" lg.
8	101054	Guard Assembly, Belt
9	101007	Belt, "V"
10	705010	Capscrew, Hex Hd. 3/8"-16 x 1-3/4" lg.
11	719002	Washer, Plain, 5/16"
12	8171045	Spacer
13	101060	Pulley, Idler (w/ball bearing)
14	720002	Lock Washer, 3/8"
15	717003	Nut, Hex, Full, 3/8"-16