

How to use this file...(Installation Instruction Sheets)

Instructions for **Print Vendors (Paper Manuals)**

- Paper:**
- * Finish Size is 8-1/2 x 11
 - * Body—50 lbs brilliant white offset or equivalent.
- Press:**
- * Body—1-color, 2-sided
- Bindery:**
- * If document is 1 or 2 pages, run as 8-1/2 x 11 sheets.
 - * If document is 3 or 4 pages, and **can be run as 2 sided 11 x 17** -- then fold to 8-12 - 11.
 - * If document is MORE than 4 pages, run as 8-1/2 x 11 sheets with UL Corner Stitch.
- COVERS:**
- * This document is a self-covered piece.
 - Check the last page of the document for the individual document number (a TP 200-XXXX-XX-XX-SMA number).
- BODY:**
- * REMEMBER: ODD number pages are ALWAYS right hand pages, and EVEN number are ALWAYS left hand pages.
- General:**
- * **This instruction page is NOT part of the document and must NOT be printed.**
 - Pages labeled with the text "THIS PAGE INTENTIONALLY BLANK" are placement pages ONLY, and should NOT be printed.
-

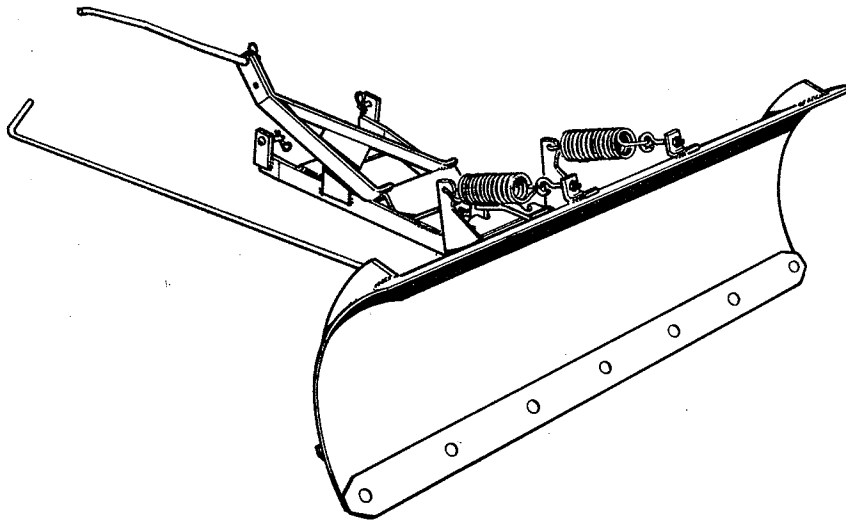
THIS PAGE INTENTIONALLY BLANK

12-19-68

For & Landlord

Simplicity

46" DOZER BLADE Mfrs. No. 356



The 46" Snow plow and Dozer blade can be used with out any weights or chains. **HOWEVER**, by using these items, plowing and dozing will be done more effectively and efficiently.

Using the rear counter weight (Mfg. # 182 with # 045) will ease lifting of the front mounted attachments. This is mounted on the rear lift assy. Using wheel weights (1 or 2 on either side) will provide more traction. By adding chains with the wheel weights additional traction will be experienced. Loose mounting of the chains will assist in their self cleaning.

OPERATION

There are five operating positions for this blade. The position can be changed by the operator without leaving the seat. Turn the control rod clockwise to unlatch the blade. Push or pull rod to the desired position. For ease of changing positions, raise blade slightly from the ground.

By adjusting the shoe assembly, various blade heights can be achieved. Increased height adjustment can be done by adjusting the stoppin in the lift lever quadrant.

If the blade is used with the Hydraulic unit, front or rear float position can be utilized. Using the front float position will provide a downward pressure on the blade. Rear float will give an upward pressure. **HOWEVER** in either position the blade will follow the ground. The Hydraulic Unit can be used for a stationary position also.

The wear plate is reversable. When one side is worn, remove the bolts turn plate around and reinstall bolts.

LUBRICATION

Lubricate all joints where rods enter holes. Also lubricate pivot points. Periodic lubrication will assist in ease of operation.

PACKING

The 46" Snow Plow and Dozer Blade comes in one carton with all necessary hardware.

ASSEMBLY

Attach hitch assembly to blade assembly, using the two yoke pins and cotter pins provided. Using the two eye bolts, attach spring from hitch to blade. Allow 1/2" of thread to show thru nuts. Attach to tractor as indicated in Fig. 1 with the two pins and spring clips. Attach blade direction rod bracket to top screw on right hand side of the Fuel Tank & Steering Post Support Assembly. See Fig. 1. (If this bracket has been installed for usage with another implement, it need not be removed). Attach lift rod to tractor lift lever (top Hole) and to plow. Fig. 1. Insert blade direction rod thru bracket and attach to blade. Secure in place with spring clips.

567890

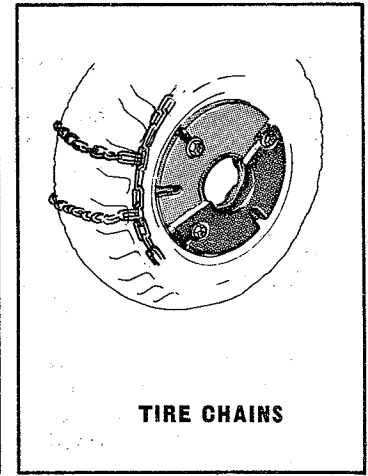
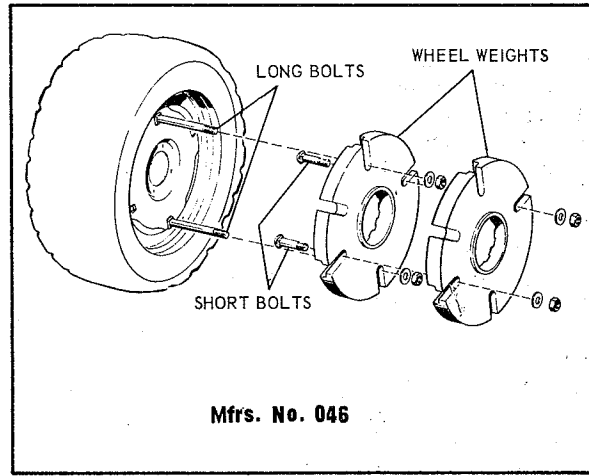
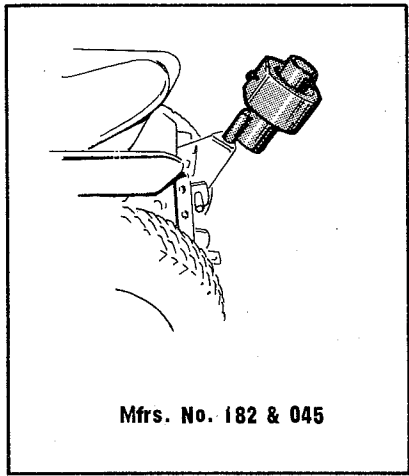
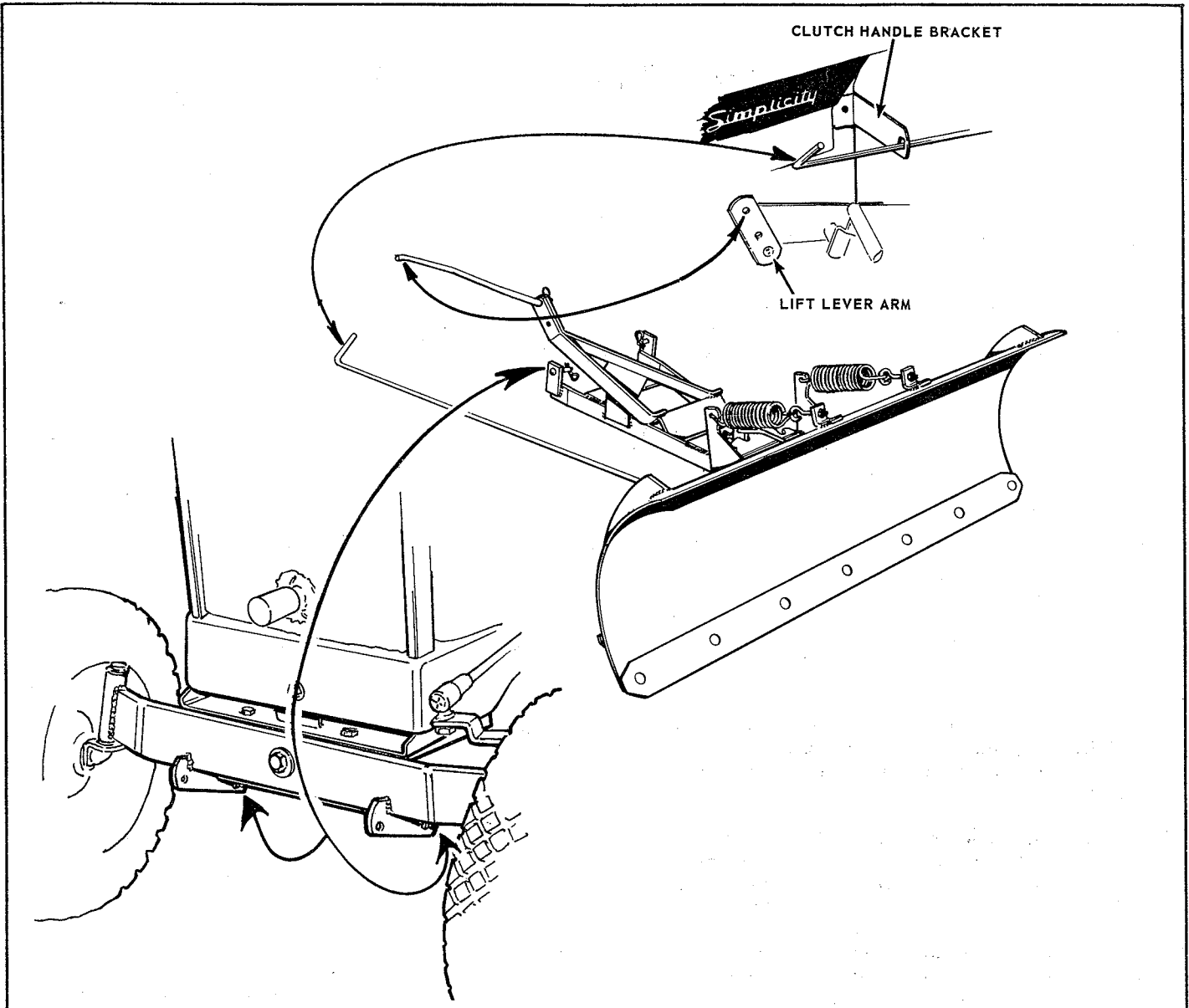
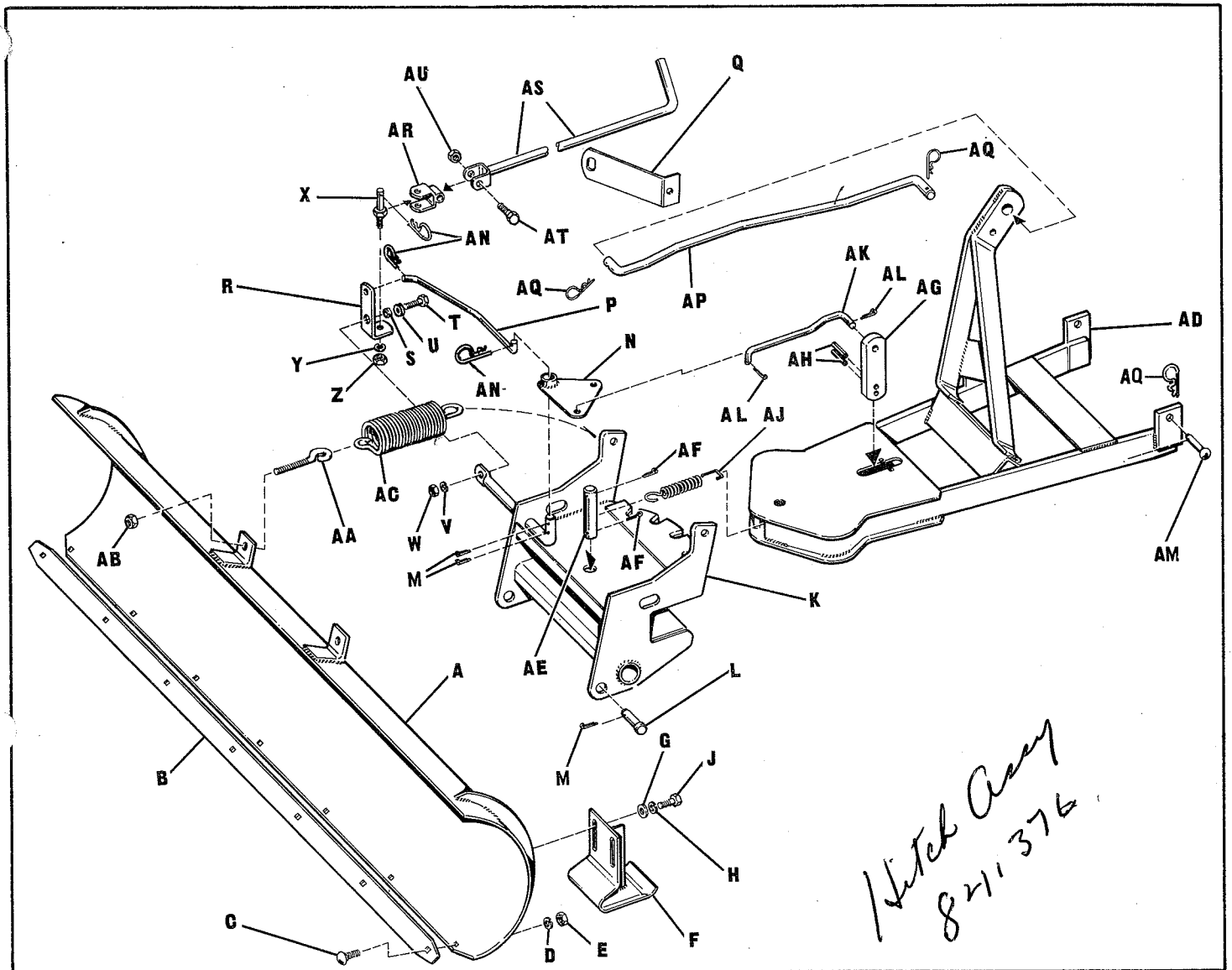


Figure 1

46" DOZER BLADE



Ref. Let.	Part No.	Description
A	107096	Blade Ass'y
B	107105	Wear Plate
C	702002	Carriage Bolt, 3/8"-16 x 1" lg.
D	720002	Lock Washer 3/8"
E	717003	Full Hex Nut 3/8"-16 N.C.
F	107106	Shoe Ass'y.
G	719001	Flat Washer 3/8"
H	720002	Lock Washer 3/8"
J	705004	Hex. Cap Screw 3/8" - 16 x 3/4"
K	107109	Pivot Frame Ass'y
L	154305	Yoke Pin
M	722006	Cotter Pin 1/8 Dia. x 1"
N	107116	Pivot Plate Ass'y
P	107118	Pivot Rod
Q	106687	Bracket
R	107119	Pivot Arm
S	156150	Spacer
T	705007	Hex Cap Screw 5/16"-18 x 1" lg.
U	719002	Plain Washer 5/16"
V	720001	Lock Washer 5/16"
W	717001	Full Hex. Nut 5/16"-18 N.C.
X	107120	Pivot Stud

Ref. Let.	Part No.	Description
Y	720001	Lock Washer 5/16"
Z	717001	Full Hex. Nut 5/16"-18
AA	107121	Eyebolt
AB	717001	Full Hex. Nut 5/16"-18
AC	101126	Spring
AD	107122	Push Bar Ass'y
AE	107133	Pivot Pin 5/8" Dia. x 3-3/8" lg.
AF	722003	Cotter Pin 3/16 x 1-1/4" lg.
AG	107134	Latch
AH	723002	Roll Pin 7/32" Dia. x 1" lg.
AJ	107135	Latch Spring
AK	107136	Latch Rod
AL	722016	Cotter Pin 3/32" Dia. x 5/8"
AM	118053	(Hitch) Pin
AN	106787	Spring Clip
AP	107143	Front Lift-Rod
AQ	106788	Spring Clip
AR	106131	Fork Ass'y
AS	107137	Handle Ass'y
AT	705018	Hex. Cap Screw 5/16"-18 x 1-1/2"
AU	717511	Full Lock Hex. Nut 5/16"-18

