

Installation Instructions

Weight Bracket Kit

Part No. 5600859

Fits Ferris FW25 and Snapper Pro SW25

Kit Contents					
Part No.	Qty.	Description	Part No.	Qty.	Description
5413795A	1	WELD, WEIGHT BRACKET, W25 - BLK	5025158	2	WASHER, 1/2 SAE
5025456	1	PIN, CLEVIS, 1/2 X 4-1/2, PLATED	5025017X10	2	BOLT, 1/2-13 X 1-1/4 GD5 CZ
5025210	1	PIN, HAIR, .0915 X 1-7/8	5025396	2	NUT, 1/2-13 HEX NYLOCK FLANGE
1700000	1	WEIGHT-QUICK ATTACH 33LBS PAINTED BLACK			

⚠ WARNING



Remove the ignition key prior to performing maintenance on the unit.

Before beginning any service work turn off the PTO, engage the parking brake, turn off the ignition, remove the ignition key, and disconnect the spark plug wire(s).

WEIGHT INSTALLATION

These instructions detail the procedure for installing the front weights onto the walk behind mower.

1. Un-install the weight (**E, Figure 1**) from the weight bracket (**G**) by pulling the out hair pin (**F**) and then removing the clevis pin (**D**).
2. On the front of the machine install the weight bracket so that it's holes align with the right slot in the cross beam on the frame of the unit. Secure with two (2) 1/2-13 X 1-1/4 bolts (**A**), 1/2 SAE washers (**B**), and 1/2-20 hex nylon lock nuts (**C**).
3. Install the weight onto the weight mount.
4. Install the 1/2" X 4-1/2" clevis pin through the weight mount and the weight to lock the weight in place.
5. Install the hair pin into the clevis pin to lock it in place.

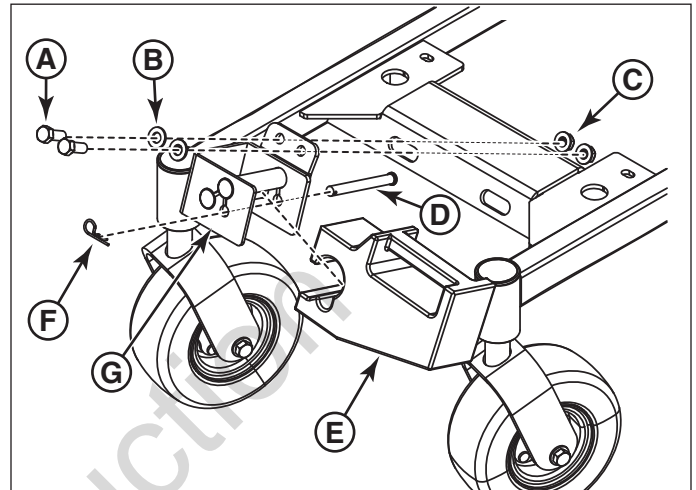


Figure 1. Weight Installation