

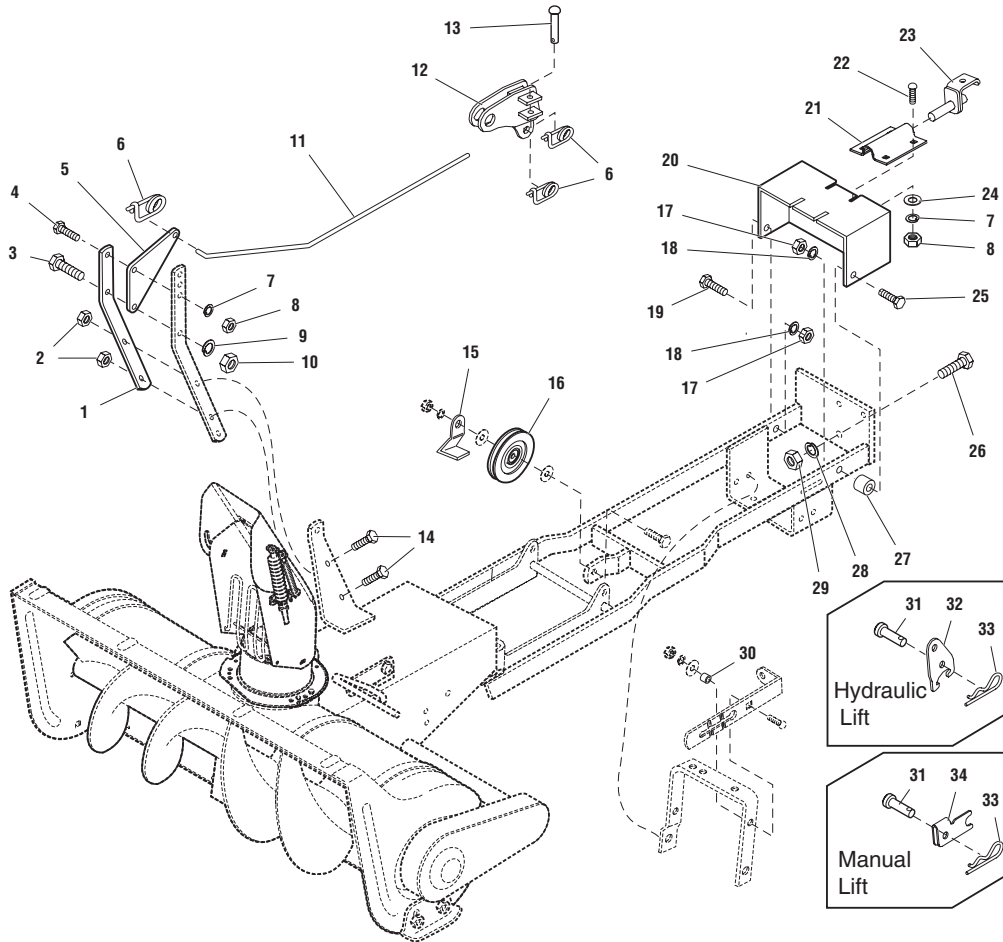
THIS PAGE INTENTIONALLY BLANK

Installation Instructions

Snowthrower Up-Fit Kit

Mfg. No. 1686886

For Landlord & Broadmoor Series Snow Attachments



Kit Contents:

Ref	Part No.	Qty.	Description	Ref	Part No.	Qty.	Description
1	1723403	1	SUPPORT, Lift Arm	18	1916965	2	LOCKWASHER, 3/8
2	1930645	2	NUT-FLANGE, 3/8-16	19	1921210	1	CAPSCREW, 3/8-16 x 1
3	1921176	1	CAPSCREW, 1/2-13 x 1-3/4	20	1723380	1	HITCH ADAPTER.
4	1921977	1	CAPSCREW, 5/16-18 x 1-1/4	21	1653768	1	CLAMP
5	1723393	1	PLATE-LIFT EXTENSION	22	1931335	4	CARRIAGE BOLT, 5/16-18 x 1
6	2176012	3	CLIP-SAFETY	23	1723292	1	HOOK ASSY
7	1917356	5	LOCKWASHER, 5/16	24	1919381	4	WASHER
8	1917372	5	1 NUT-HEX, 5/16-18	25	1921210	1	CAPSCREW, 3/8-16 x 3/4
9	1916966	1	LOCKWASHER, 1/2	26	1923151	1	CAPSCREW, 5/8-11 x 1-1/4
10	1916951	1	NUT-HEX, 1/2-13	27	1667812	1	SPACER
11	1723394	1	ROD-LIFT	28	191733	1	LOCKWASHER, 5/8
12	1724025A	1	LEVER ASSY.-LIFT	29	1915726	1	NUT-HEX, 5/8-11
13	2105249	1	PIN-CLEVIS	30	154177	1	SPACER
14	1920415	2	CAPSCREW, 3/8-16 x 1-1/4	31	1722819	1	PIN
15	1677135	1	BELT GUIDE	32	1722469	1	LOCK-DOWN PLATE, Hydro Lift
16	1724387	1	PULLEY	33	1960033	1	CLIP, Hair Pin
17	1916950	2	NUT-HEX, 3/8-16	34	1722470	1	LOCK-DOWN PLATE, Man. Lift

Figure 1. Contents

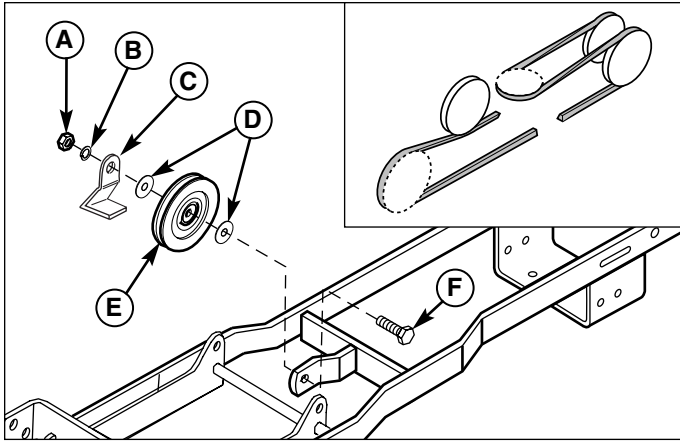


Figure 2. Install New Idler Pulley

- A. Nut (Original)
- B. Lockwasher (Original)
- C. Belt Guide (New)
- D. Flat Washers (Original)
- E. Pulley (New)
- F. Capscrew (Original)

This kit allows Landlord (K71) Series and Broadmoor (K61/K46) Series snowthrower attachments to be used on Prestige and Conquest series tractors.

INSTALLATION

WARNING

Before beginning any service work turn off the PTO, set the parking brake, turn off the ignition, and disconnect the spark plug wire(s).

Modify Hitch

1. Remove the original front idler pulley and belt guide. Discard the pulley and belt guide; retain the rest of the hardware.
2. Install the new front pulley (E, Figure 2) and belt guide (C) using the original hardware.
3. Remove and replace the spacer (A, Figure 3) in hitch turn-buckle support with the spacer provided.
4. Position the rear hitch adapter (B, Figure 4) on the back of the hitch. Secure to the back hitch plate using a 5/8-11 x 1-3/4 capscrew (F), lockwasher (H), and nut (I).
5. Using the adapter as a guide, drill out the right and left side holes using a 3/8" drill.
6. Secure the right side of the hitch adapter (B) using a 3/8-16 x 1 capscrew (A), lockwasher (D), and nut (C).
7. Secure the left side of the hitch adapter (B) using a 3/8-16 x 3/4 capscrew (E), spacer (G), lockwasher (D), and nut (C).

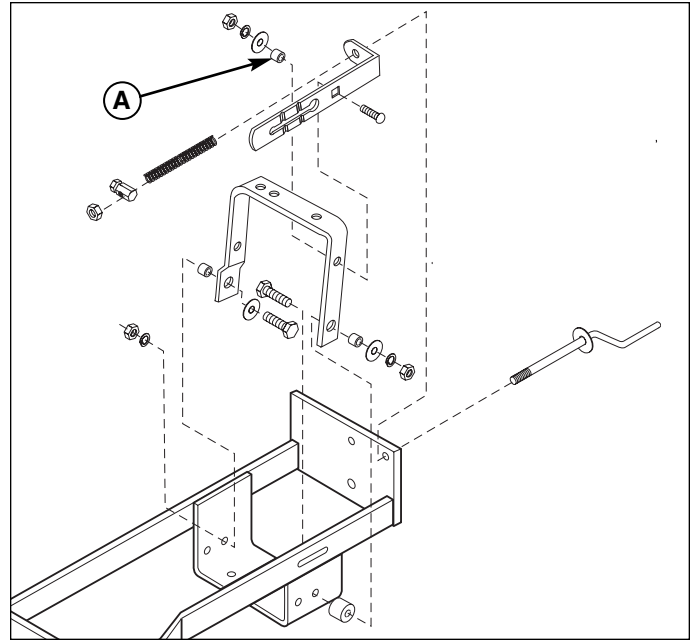


Figure 3. Replace Tension Assy. Spacer
A. Spacer

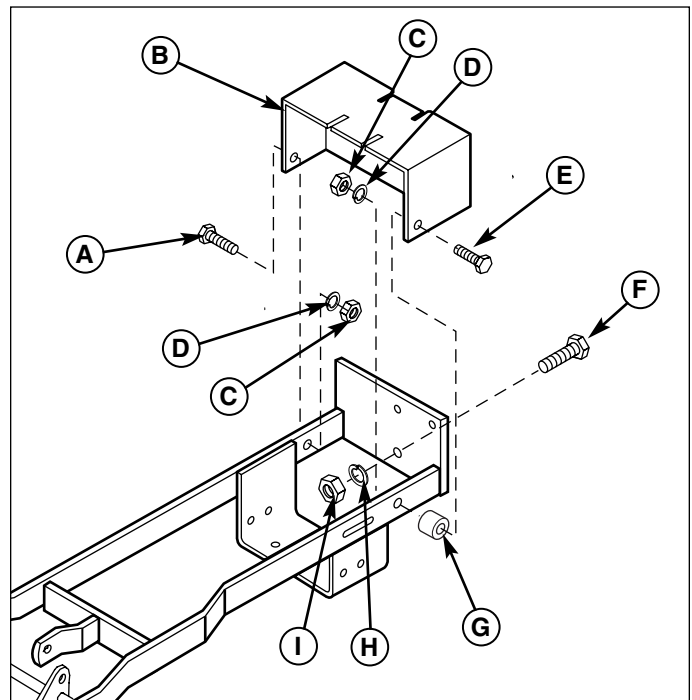


Figure 4. Install Rear Hitch Adapter

- A. Capscrew, 3/8-16 x 1
- B. Hitch Adapter
- C. Nut, 3/8-16
- D. Lockwasher, 3/8
- E. Capscrew, 3/8-16 x 3/4
- F. Capscrew, 5/8-11 x 1-3/4
- G. Spacer
- H. Lockwasher, 5/8
- I. Nut, 5/8-11

- Attach the support clamp (C, Figure 5) and hook assembly (B) to the hitch. Secure with four 5/16-18 x 1 carriage bolts (A), washers (D), lockwashers (E), and nuts (F). Do not tighten the hardware at this time.

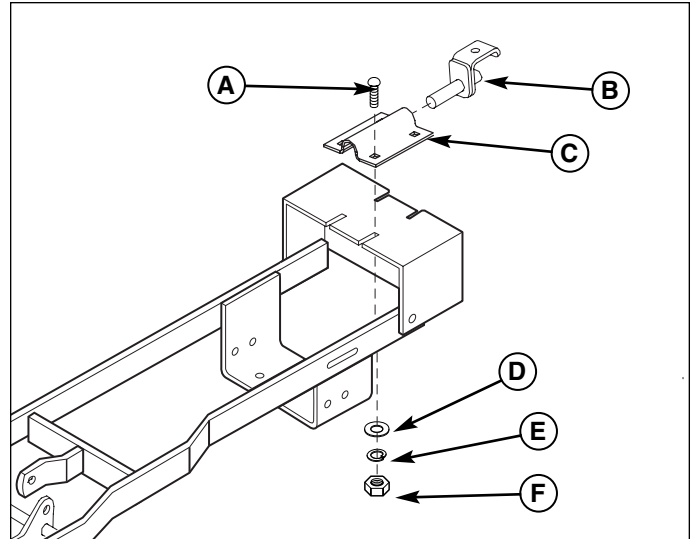


Figure 5. Install Support Clamp
A. 5/16-18 x 1 Carriage Bolt **D. 11/32 Washer**
B. Hook Assembly **E. 5/16 Lockwasher**
C. Support Clamp **F. 5/16-18 Nut**

- Install the set collars (B, Figure 6), spring (C), and rod guide (D) on the lift rod (A) as shown. Final adjustment of the set collars will be made after the hitch and attachment are installed.

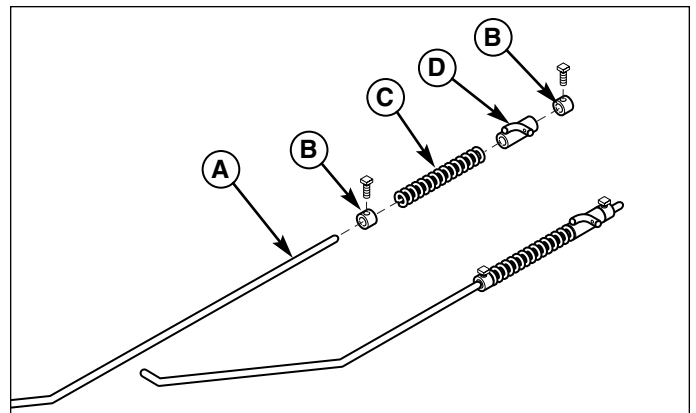


Figure 6. Assemble Lift Rod
A. Lift Rod **C. Spring**
B. Set Collar **D. Rod Guide**

Modify Snowthrower

- Relocate the mounting brackets in the positions shown in Figure 7.

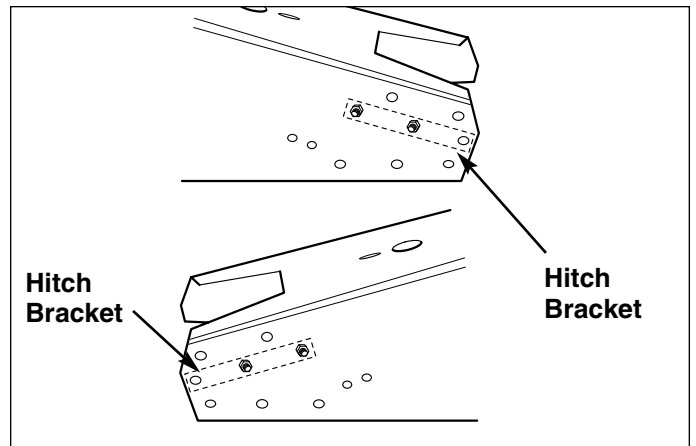


Figure 7. Hitch Bracket Locations

2. Install the lift extension (I, Figure 8) and lift arm reinforcement (D). Secure to the snowthrower and original lift arm (E) using the new hardware shown in Figure 8.
3. Discard the lift assist spring and mounting hardware. It is not required.

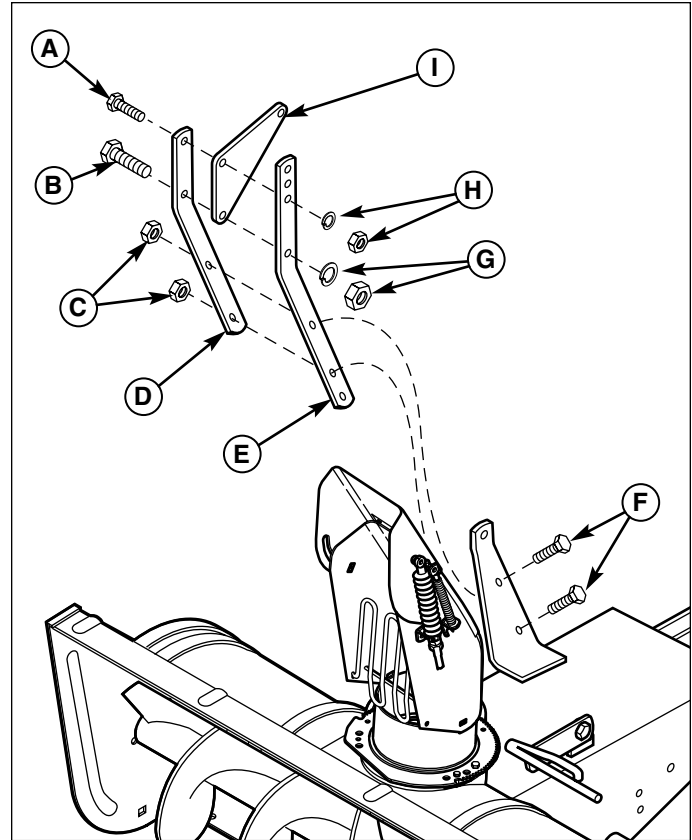


Figure 8. Install Lift Arm Support

A. Cap screw, 5/16-18 x 1-1/4

B. Cap screw, 1/2-13 x 1-3/4

C. Flange Nuts, 3/8-16

D. Lift Arm Support

E. Lift Arm (Original)

F. Cap screw, 3/8-16 x 1-1/4

G. Lockwasher & Nut, 1/2-13

H. Lockwasher & Nut, 5/16-18

I. Lift Plate Extension

INITIAL INSTALLATION

Install Downward Pressure Lock Plate

MANUAL LIFT MODELS

1. Rest the back of the lock plate (G, Figure 9) against the spacer (I) and rotate until it lines up with the hole in the lift bar (F).
2. Secure the lock plate (G) to the lift bar (F) using a new flat head pin (C) and hair pin clip (H).

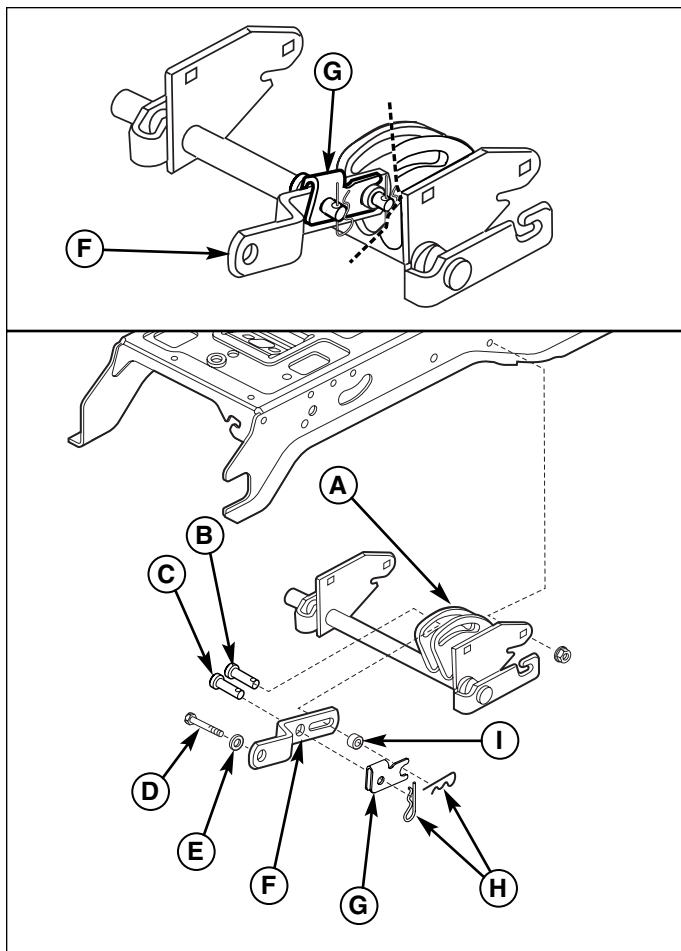


Figure 9. Install Lock Plate - Manual Lift Models

A. Lift Shaft Assy.	F. Lift Bar
B. Flat Head Pin (Original)	G. Lock Plate
C. Flat Head Pin (New)	H. Hair Pin Clips
D. Capscrew	I. Spacer
E. Washer	

HYDRAULIC LIFT MODELS

1. Remove and retain the flat head pin (B, Figure 10) and hair pin clip (E) securing the lift cylinder (A) to the lift shaft assembly (F).
2. Mount the lock plate (D) next to the cams on the lift shaft assembly (F) as shown.
3. Install the original flat head pin (B) and new flat head pin (C) and secure with hair pin clips.

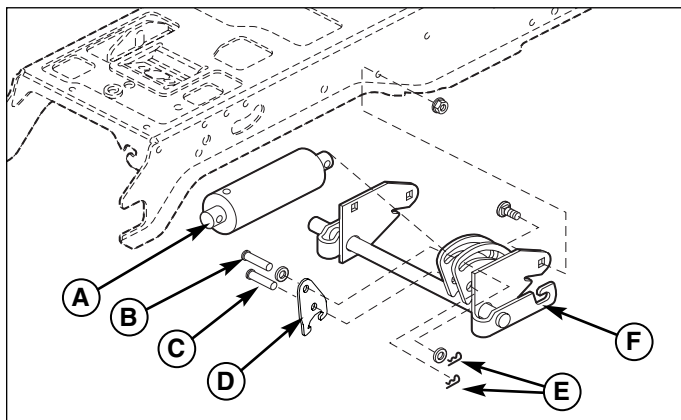


Figure 10. Install Lock Plate - Hydraulic Lift Models

A. Lift Cylinder	D. Lock Plate
B. Flat Head Pin (Original)	E. Hair Pin Clips
C. Flat Head Pin (New)	F. Lift Shaft Assy.

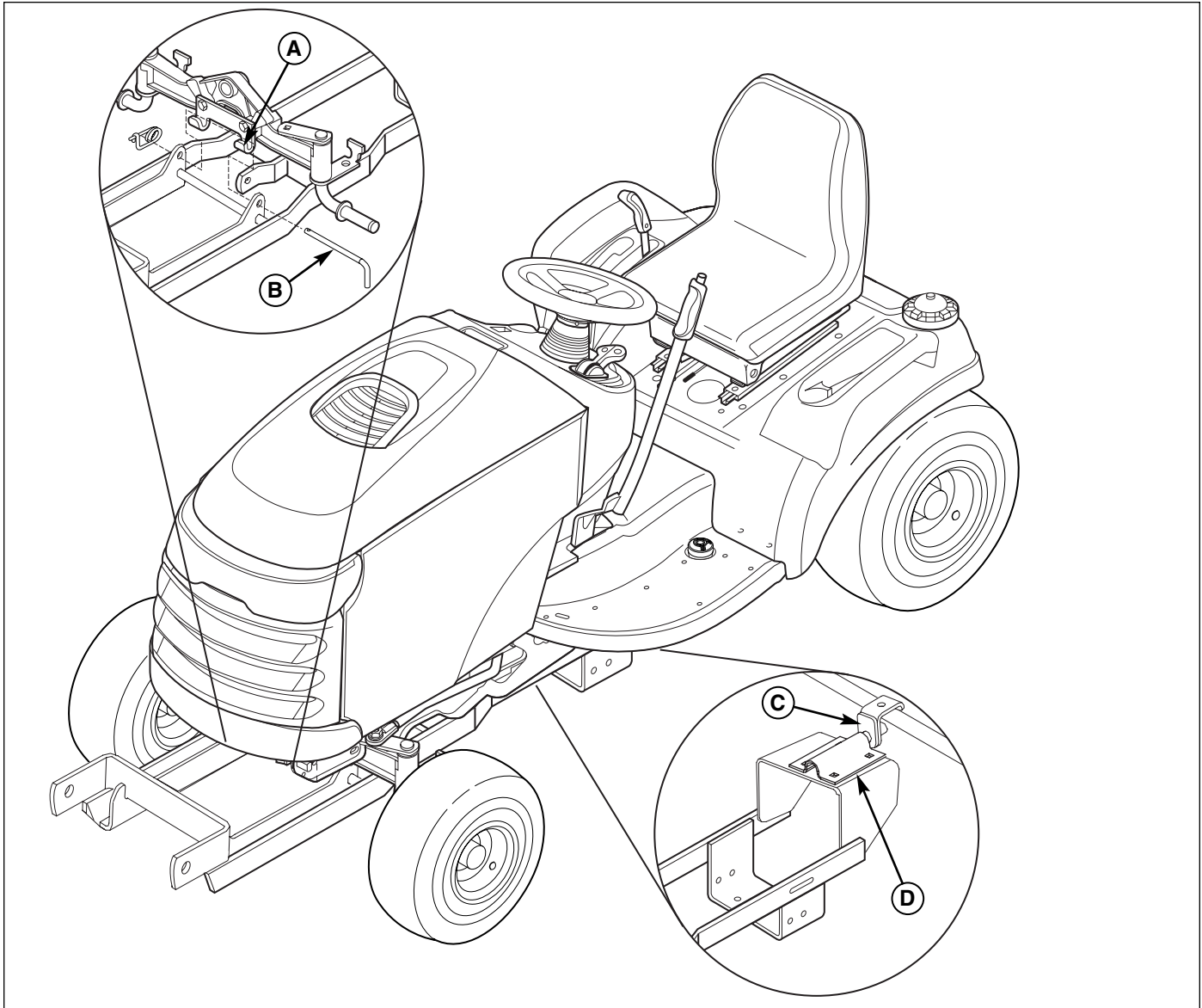


Figure 11. Install Hitch

A. J-Hooks
B. Hitch Rod

C. Hook
D. Clamp Plate

Install Hitch

1. Slide the hitch under the tractor.
2. Raise the rear of the hitch and place the hook (C) over the lift shaft.
3. Turn the steering wheel fully to the right. Connect the front of the hitch to the tractor J-hooks (A, Figure 11) using the hitch rod (B) and a safety clip.
4. Push the clamp plate (D) backwards until the hook (C) is snug against the lift shaft. Tighten the clamp plate hardware.

Install Lift Rod

1. Slide the lift lever (A, Figure 12) onto the end of the tractor lift shaft (B) under the right side footrest.
2. Use the tabs on the lift lever (A) to capture the tractor lift arm. Secure in place with a clevis pin (D) and safety clip (C).
3. Insert the rear of the lift rod (B, Figure 13) into the bottom of the lift lever (A). Secure with a clip (C).

Perform lift rod adjustment according to the procedure found in the attachment operator's manual.

Lift Rod Adjustment

In the fully raised position the attachment should be 4"-5" off the ground. In the fully lowered position, the lift rod should compress the spring creating downward pressure on the attachment.

NOTE: Always adjust the lift height before and after adjusting the downward pressure.

LIFT HEIGHT ADJUSTMENT

1. Fully raise the attachment lift. The snowthrower should be approximately 4"-5" off the ground. If not, go to step 2.
2. Lower the snowthrower and adjust the rear set collar (D, Figure 13) to achieve the correct lift height.

DOWNWARD PRESSURE ADJUSTMENT

1. Place the lift in the fully raised position.
2. Release the front set collar (E, Figure 13).
3. Slide the set collar (E) back until it is slightly compressing the spring. Tighten the set collar screw. Do not over-compress the lift rod spring.



IMPORTANT NOTE

DO NOT OVER-COMPRESS THE SPRING. In addition to providing downward pressure, the spring is an elastic medium that absorbs shocks caused by bumps and cracks in ground surfaces. Over-compressing the spring defeats this and may cause damage to the unit.

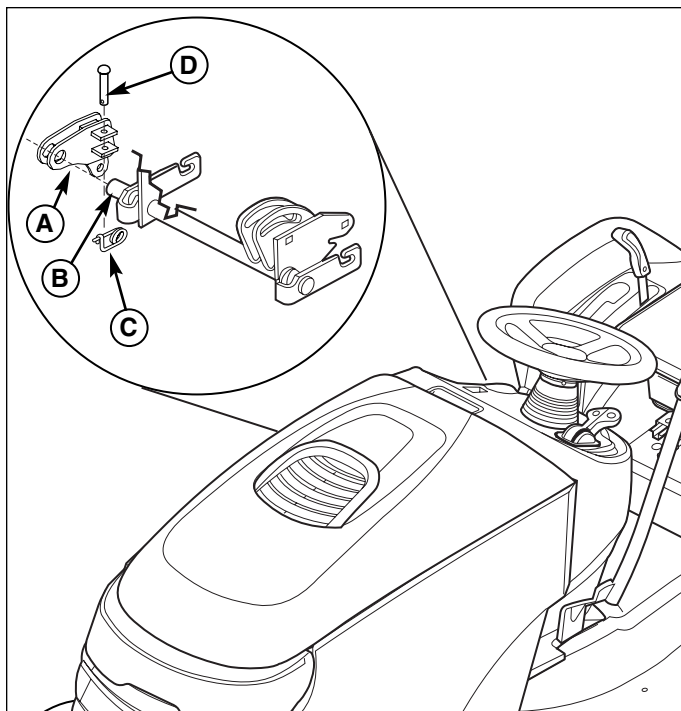


Figure 12. Install Lift Lever

- A. Lift Lever**
- B. Lift Shaft**
- C. Safety Clip**
- D. Clevis Pin**

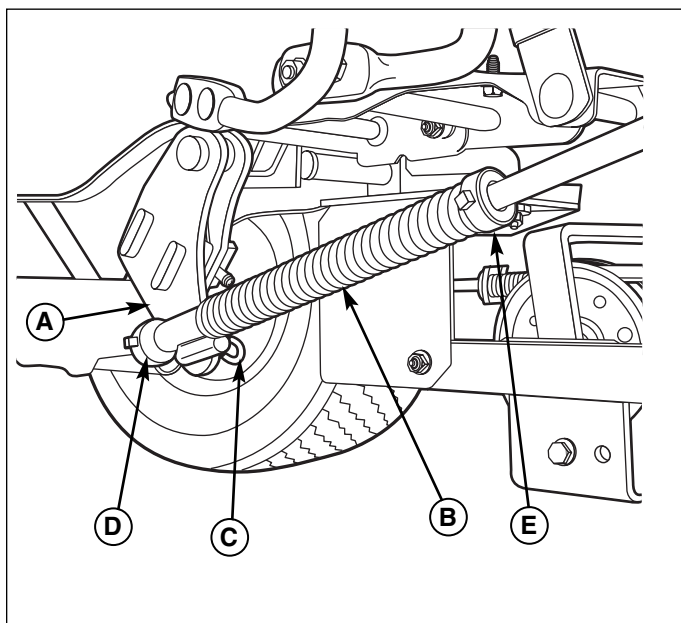
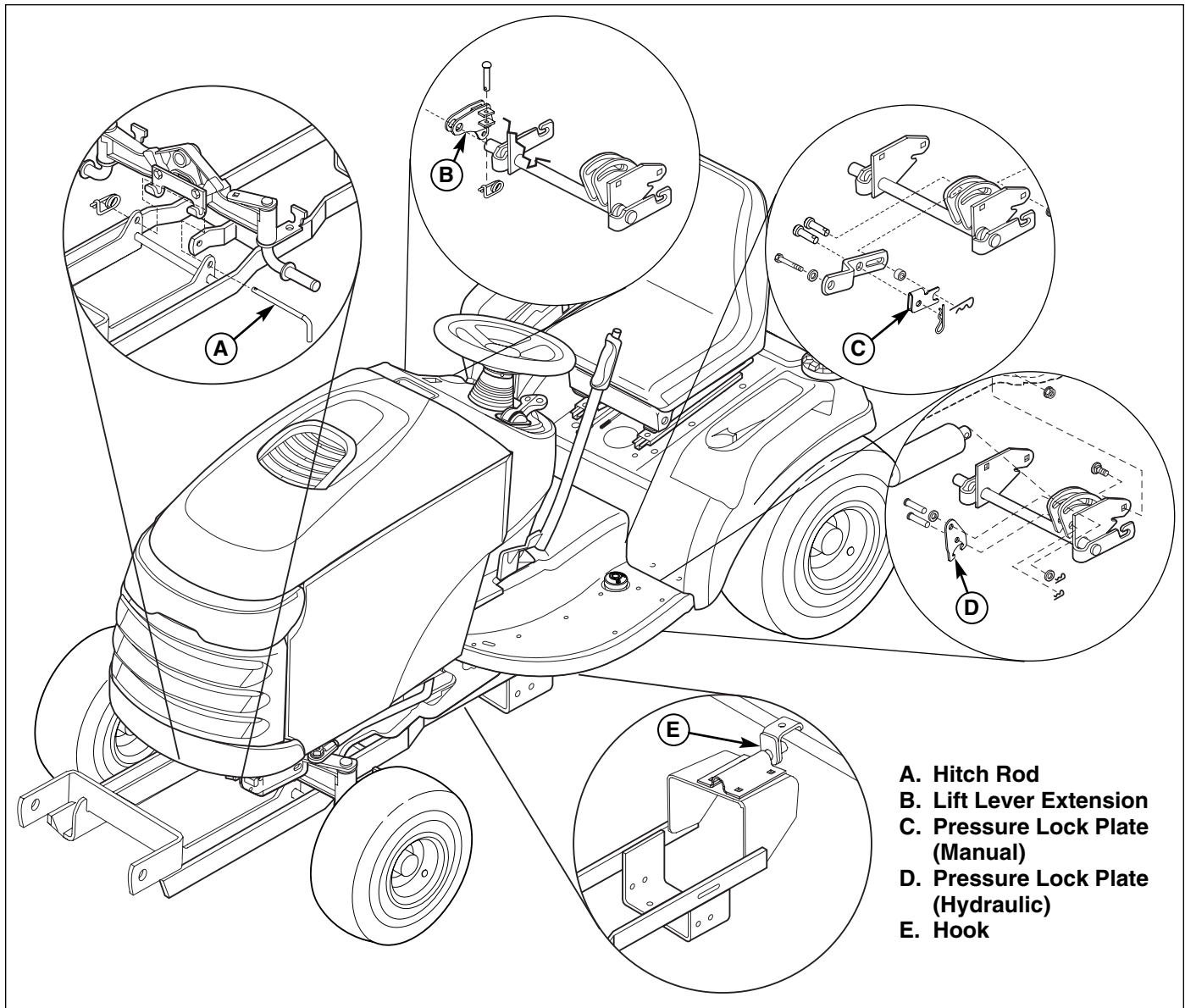


Figure 13. Install Lift Rod

- A. Lift Lever**
- B. Lift Rod**
- C. Clip**
- D. Rear Set Collar**
- E. Front Set Collar**



- A. Hitch Rod
- B. Lift Lever Extension
- C. Pressure Lock Plate (Manual)
- D. Pressure Lock Plate (Hydraulic)
- E. Hook

Figure 14. Normal Installation & Removal

REMOVAL

NOTE: After removing components, reinstall the clevis pins and clips to prevent loss.

1. Disconnect the lift rod from the attachment and lift lever extension (B, Figure 14).
2. Remove the clevis pin and clip from the lift lever (B) and remove the lift lever.
3. Remove the front hitch rod (A). Remove the hitch and hook (E).
4. Remove the lock plate (C, D).

NORMAL INSTALLATION

1. Insert the hook (E, Figure 14) into the back of the hitch. Mount the rear of the hitch on the lift cross-shaft.
2. Turn the steering wheel fully to the right. Secure the front of the hitch to the J-hooks using the hitch rod (A).
3. Install the downward pressure lock plate (C, D).
4. Install the lift lever extension (B).
5. Install the lift rod and attachment (Figure 8).



MANUFACTURING, INC.

500 N Spring Street / PO Box 997
Port Washington, WI 53074-0997 USA

Form No. 1723385-02

Rev. 11/2005

© 2005 Simplicity Manufacturing, Inc. All Rights Reserved

TP 200-2582-02-SK-SMA