

Installation Instructions

Mower Deck Striper Kit Part No. 5600052

For All Ferris IS2000Z Series
For All Snapper Pro S150X Series

Kit Contents:

Ref No.	Part No.	Qty.	Description
1	5401459A	1	Striper Mount Plate
2	5400827A	1	Support Plate
3	5100172	1	Rubber Flap
4	5025011X8	5	Bolt, 5/16-18 x 1"
5	5025392	9	Nut, 5/16-18 Hex Nylock Flange
6	5025011X6	4	Bolt, 5/16-18 x 3/4"

! WARNING

Before beginning any service work turn off the PTO, set the parking brake, turn off the ignition, and disconnect the spark plug wire(s).

PREPARATION

1. Assemble the rubber flap (A, Figure 2) and support plate (B) on the mount plate (C) and secure with the 5/16-18 x 1" bolts (D) and 5/16-18 nylock flange nuts (E).

INSTALLATION

1. Park machine on a flat, level surface and engage the parking brake. Disengage the PTO switch, turn off the engine and remove the key from the ignition.
2. Place the mower deck in the lowest cutting position.
3. Chock the front wheels to prevent the machine from rolling.
4. Raise the rear of the machine and secure with jack stands or wooden blocks.
5. Remove rear drive tires.

NOTE: Before installing the striper assembly, first determine which mounting hole pattern will be used. The lower pattern will place the striper assembly higher on the mower deck, while the upper hole pattern will place the striper assembly lower on the mower deck. The lower the striper assembly, the more pronounced the striping effect will be.

6. Install the striper assembly (A, Figure 3) onto the rear of the mower deck. Secure the assembly using two 5/16-18 x 3/4" bolts and 5/16-18 nylock flange nuts (B) in the outer holes, through the existing holes in the mower deck.

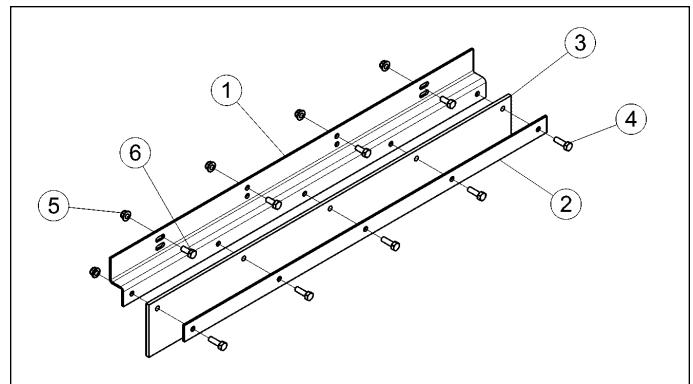


Figure 1. Kit Contents

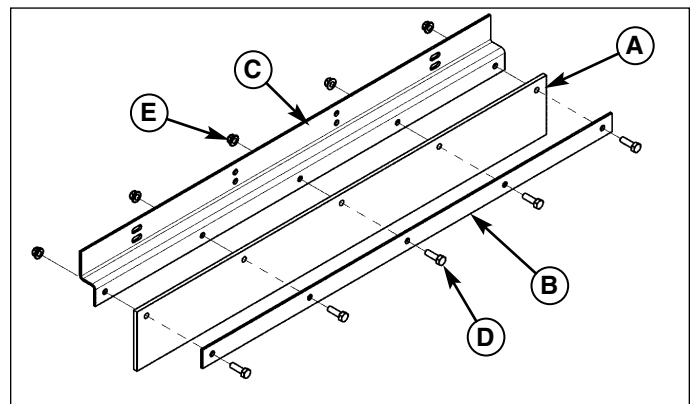


Figure 2. Prepare the Striper Assembly

- A. Rubber Flap
- B. Support Plate
- C. Mount Plate
- D. 5/16-18 x 1" Bolt (5)
- E. 5/16-18 Nylock Flange Nut (5)

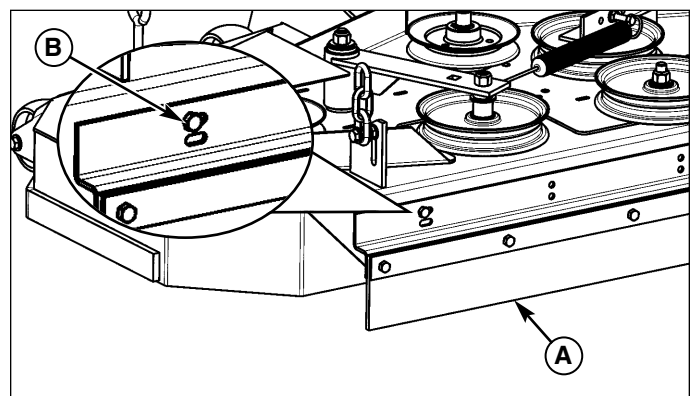


Figure 3. Install Striper Assembly

- A. Striper Assembly
- B. 5/16-18 x 3/4" Bolt & Nylock Flange Nut

7. See Figure 4. Using the inner mounting holes as a guide, drill two 5/16" holes through the mower deck. Before drilling, note which holes the outer mounting bolts are located in. Make sure the inner mounting holes are drilled in the same location (upper or lower).
8. Install the remaining 5/16-18 x 3/4" bolts and 5/16-18 nylock flange nuts and tighten securely.
9. Reinstall the rear drive tires and torque the lug bolts to 90 ft. lbs. (122 Nm).
10. Remove the jackstands supporting the rear of the machine and remove the front wheel chocks.

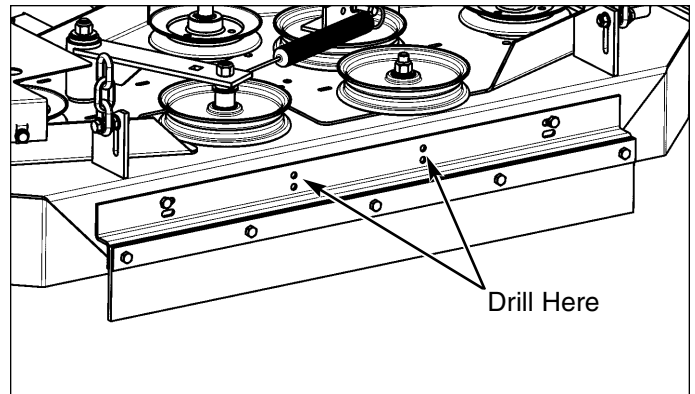


Figure 4. Drill Holes & Install Hardware