

Dealer Setup Instructions



The safety warnings provided in this guide and in the operator's manual included with the unit contain important information that must be obeyed when assembling, setting-up, operating, servicing, transporting, or storing the unit.

These warnings are highlighted by the safety alert triangle symbol shown above, which signifies that an important safety message is being provided.

You must read, understand, and follow these warnings and instructions, and use safe shop and work practices at all times while working on or around this unit and all other outdoor power equipment.

SETUP PROCEDURES

Instructions in the Setup Procedures section provide the information necessary to fully assemble, test, and prepare the units described above for delivery to your customers.

These Dealer Setup Instructions cover the following products:

Model:	Description:
5901752	Pathfinder FS2100
5901753	Pathfinder XC FS2200

Not for
Reproduction

Dealer Setup Instructions

Quick Setup List

Setup Procedures	
<input type="checkbox"/>	Uncrate the unit.
<input type="checkbox"/>	Check tire pressures.
<input type="checkbox"/>	Install the tires.
PERFORM THE SAFETY CHECKS	
<input type="checkbox"/>	Check for LOOSE HARDWARE.
<input type="checkbox"/>	Check all OPERATOR CONTROLS.
<input type="checkbox"/>	Perform SAFETY INTERLOCK SYSTEM CHECK.
Register Product	
<input type="checkbox"/>	To register the product: log onto www.thepowerportal.com , select the appropriate brand, click "Sales & Marketing", select the "Product Registration" link, and then select "New Product Registration". Fill out and submit the online product registration form.

FERRIS is a registered trademark of Briggs & Stratton Corporation.

Not for
Reproduction

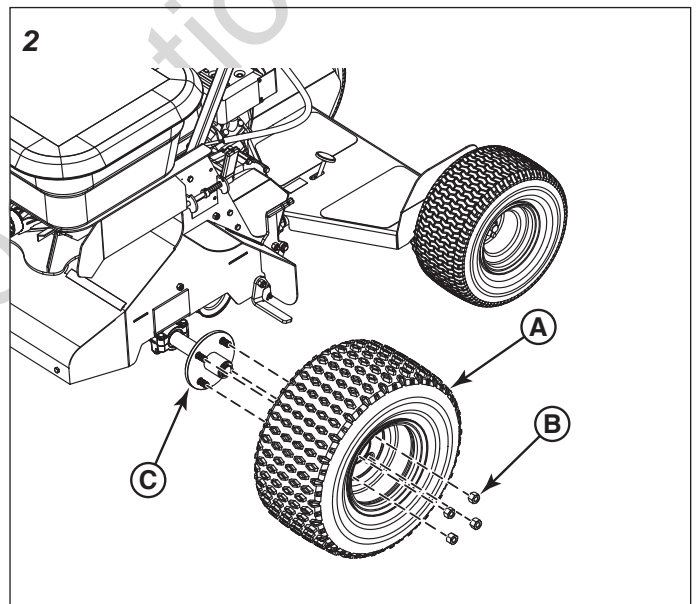
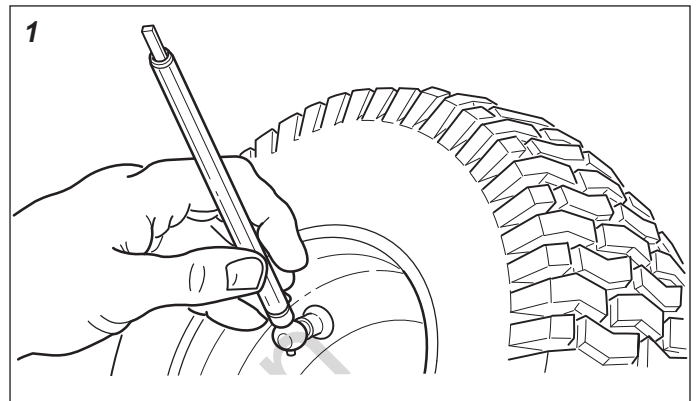
Setup Procedures

The items in this section provide the information necessary to fully assemble, test, and prepare the unit, that these instructions were included with, for delivery to your customer.

The **Quick Setup List** provided on page 2 of this document is to help you identify and check that the items have been performed.

Uncrating

1. Carefully remove the top and the sides of the crate making sure not to damage the unit or the tires.
2. Using a pry-bar, remove the boards that secure the unit to the lower pallet. Cut any strapping that secures the tires to the crate.
3. Remove the two drive tires from the crate.
4. Refer to **Figure 1**. The two drive tires are factory filled with RV anti-freeze which is added for ballast and traction. Rotate the tires so that the valve stems are at the top of the tire before checking the tire pressure. The tire pressure should be 15 psi (1,03 bar).
5. Place a jack underneath the transmission of the unit and raise the unit high enough that the tires can be installed. Secure the unit with jack stands.
6. Install the two drive tires (**A, Figure 2**) using the lug nuts (**B**) that are installed on the studs of the wheel hubs (**C**). Torque the lug nuts to 70 ft. lbs. (94 Nm).
7. Remove the jack stands from under the machine and lower the jack.
8. Move the parking brake lever fully forward and down to disengage the parking brake.
9. Move the gear selector lever to the NEUTRAL ("N") position.
10. Make sure that there are no nails or sharp objects on the bottom skid to puncture the unit's tires. Roll the unit forward off the bottom skid.
11. Pull the parking brake lever rearward and up to engage the parking brake.
12. Check the air pressure of the two rear tires. The tire pressure should be 20 psi (1,38 bar).



Dealer Setup Instructions

Perform the Safety Checks

WARNING

Disengage the spreader, stop the engine, set the parking brake, and wait for moving parts to stop before leaving the operator's position for any reason.

If the unit does not pass a test, do not operate the unit. Under no circumstance should you attempt to defeat the purpose of the safety system.

Functional Tests

1. Check the unit for loose bolts, screws, nuts, etc.
2. Start the engine and check all the controls for proper operation: parking brake, foot brake, throttle control, gear selector lever, etc.
3. Stop the engine and check for fluid leaks: oil, fuel, and hydraulic oil.
4. If any control fails to operate properly during testing or seems to be out of adjustment, check and re-adjust it.

Safety Interlock System

This unit is equipped with a transmission neutral start safety interlock switch. These safety systems are present for your safety, do not attempt to bypass safety switches, and never tamper with safety devices. Check their operation regularly.

Test 1 — Engine should NOT start if:

- Transmission is in ANY gear.

Test 2 — Engine SHOULD start if:

- Transmission is in the NEUTRAL position.

NOTE: Once the engine has stopped, the parking brake must be engaged and the transmission must be placed in the NEUTRAL position, after the operator returns to the operator's position to start the engine.