

Installation Instructions

48/52" Bagger Kit

Part No. 5600267

For all Ferris and Snapper Pro 48/52" Walk Behind Mowers
& Ferris Evolutions w/ 48" Mower Decks

| Kit Contents: | | | Part No. | Qty. | Description |
|---------------|------|-------------------------------------|-----------|------|--------------------------------|
| Part No. | Qty. | Description | 5101749 | 1 | ROD, BAGGER MOUNT, 48/52" |
| 5404380A | 1 | PLATE, BAGGER MOUNT BRACKET, 48/52" | 5025011X6 | 4 | BOLT, 5/16-18 X 3/4 GD5 |
| 5404381A | 1 | PLATE, BLOCK OFF PLATE, 48" | 5025155 | 4 | WASHER, 5/16 SAE |
| 5404382A | 1 | WELD, BAGGER MOUNT, 48/52" | 5025392 | 4 | NUT, 5/16-18 HEX NYLOCK FLANGE |
| 5412433A | 1 | PLATE, BLOCK OFF PLATE, 52" | 5025210 | 1 | PIN, HAIR, .0915 X 1-7/8 |

⚠ WARNING



Remove the ignition key prior to performing maintenance on the unit.

Before beginning any service work turn off the PTO, engage the parking brake, turn off the ignition, remove the ignition key, and disconnect the spark plug wire(s).

Installation

Remove the Discharge Chute

1. Park the machine on a flat, level surface. Turn off the PTO, engage the parking brake, turn off the ignition, remove the ignition key, and disconnect the spark plug wire(s).

Important Note: In these instructions "left" and "right" are referred to from the operator's position.

2. Remove the 5/16" nuts (E, Figure 1) and washers (D) from the discharge chute rod (C). Remove the discharge chute rod from the mower deck (B).
3. Remove the discharge chute (A) from the mower deck.

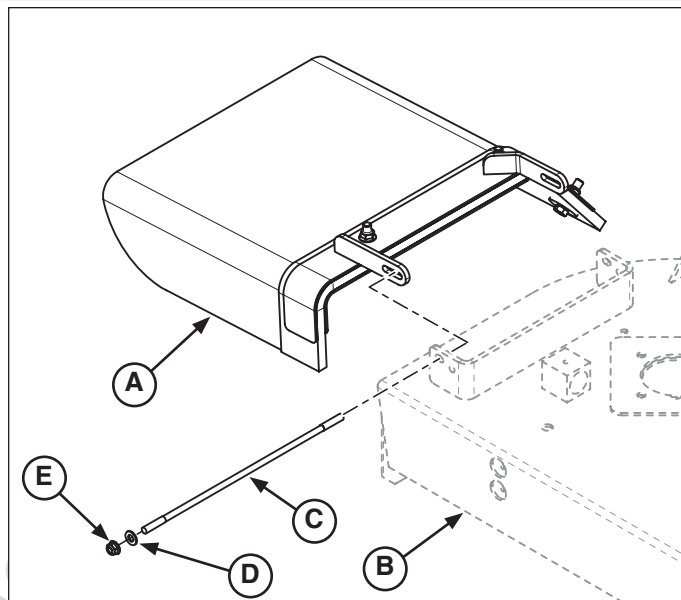


Figure 1. Installing the Baffle Plates

- A. Discharge Chute
- B. Mower Deck
- C. Discharge Chute Rod
- D. 5/16" Washer
- E. 5/16" Bolt

Preparing the Mower Deck

Walk-Behind Mowers:

1. Align the bagger mount bracket (A, Figure 2) flush with the edge of the mower deck (B) above the discharge opening. Position the bagger mount bracket so that the leg of the discharge chute bracket (D) fits into the notch in the bagger mount bracket.

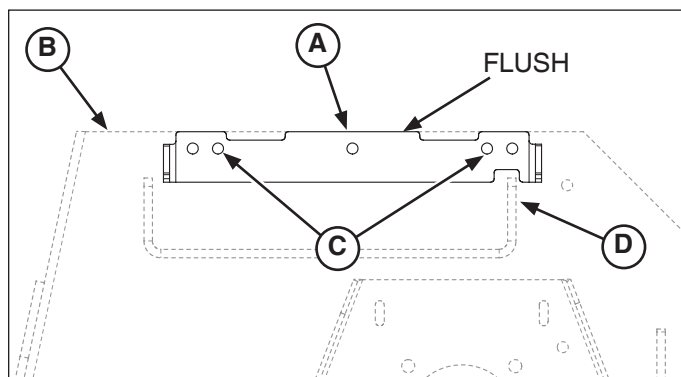


Figure 2. Installing the Bagger Mount Bracket (Walk-Behind Mowers)

- A. Bagger Mount Bracket
- B. Mower Deck
- C. Holes to be Drilled
- D. Discharge Chute Bracket

48" Evolution Mowers:

1. See Figure 3. Align the bagger mount bracket (**A**, **Figure 3**) so that the front end is flush with the front edge of the deck (**B**) and the back end hangs an 1/8" (.32 cm) over the back edge of the deck. Position the bagger mount bracket so that the leg of the discharge chute bracket (**D**) fits into the notch in the bagger mount bracket.

All Models:

2. Clamp the bagger mount bracket to the mower deck.
3. Using the bracket as a guide, drill two (2) .328" holes (**C**, **Figures 2 & 3**) through the mower deck.

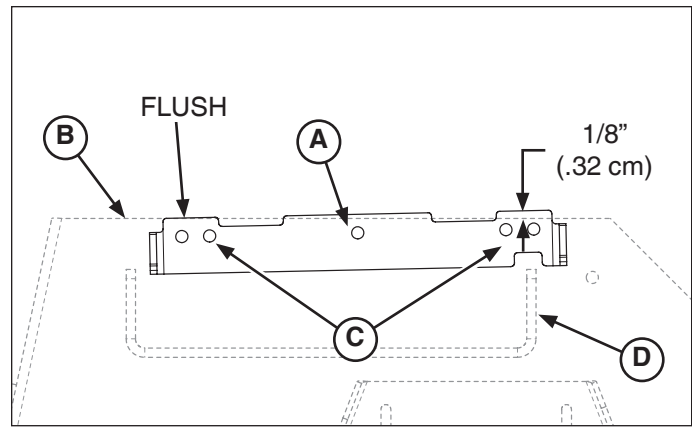


Figure 3. Installing the Bagger Mount Bracket (48" Evolution Models)

Assembling the Bagger Mount

There are two (2) block off plates shipped with this kit. Use the chart below to determine which block off plate to use for your installation.

| For units with 48" Decks use: 5404381A - Block Off Plate, 48" | For units with 52" Decks use: 5412433A - Block Off Plate, 52" |
|--|--|
| | |

1. Install two (2) 5/16" bolts (**B**, **Figure 4**) with 5/16" washers (**C**) through the block off plate (**E**) then through the bagger mount (**A**). Loosely secure with two (2) 5/16" nuts (**D**).

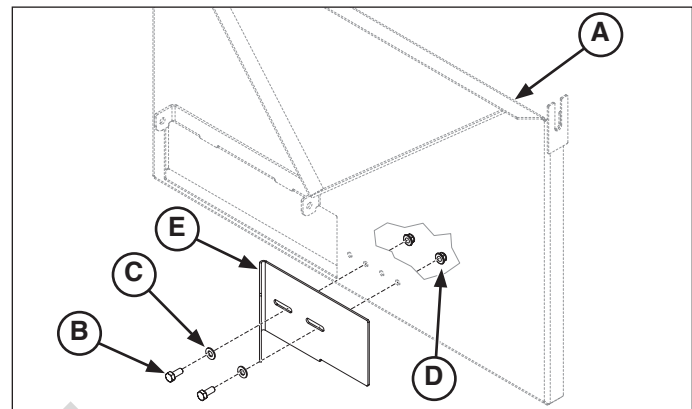


Figure 4. Assembling the Bagger Mount

- A. Bagger Mount**
- B. 5/16" Bolt**
- C. 5/16" Washer**
- D. 5/16" Nut**
- E. Block Off Plate**

Installing the Bagger Mount

1. Install two (2) 5/16" bolts (**B**, **Figure 5**) with 5/16" washers (**C**) through the bagger mount bracket (**E**) and then through the mower deck (**G**). Secure with two (2) 5/16" nuts (**D**).
2. Install the quick disconnect rod (**F**) through the bagger mount bracket and then through the bagger mount (**A**). Secure with the hair pin.

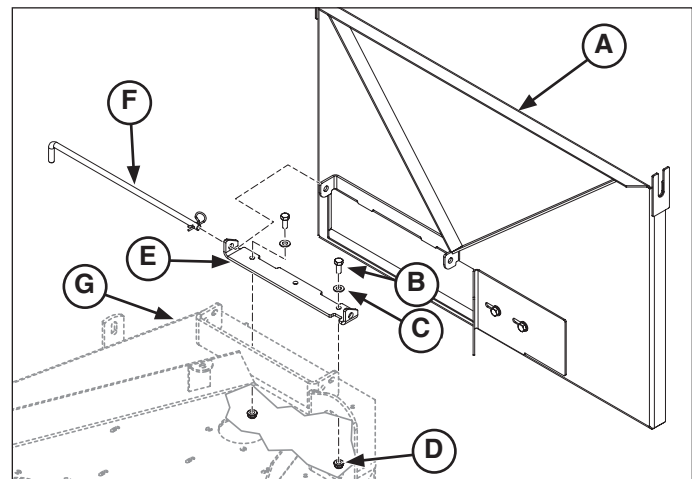


Figure 5. Installing the Bagger Mount

- A. Bagger Mount**
- B. 5/16" Bolt**
- C. 5/16" Washer**
- D. 5/16" Nut**
- E. Bagger Mount Bracket**
- F. Quick Disconnect Rod & Hair Pin**
- G. Mower Deck**

Adjusting the Block Off Plate

1. With the bagger mount installed, slide the block off plate (**A, Figure 6**) toward the mower deck, covering any opening between the bagger mount and the deck.
2. Tighten the 5/16" hardware previously installed.

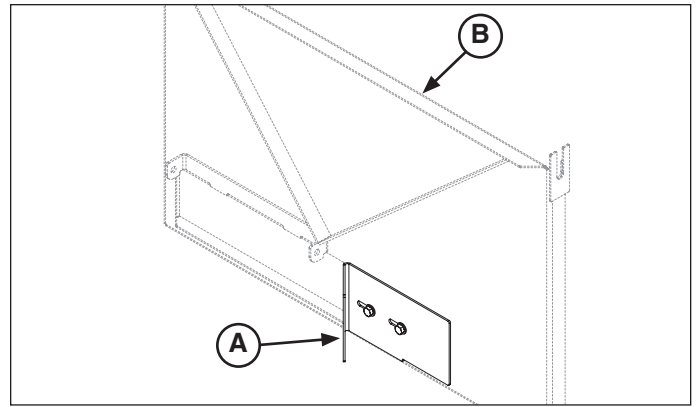


Figure 6. Adjusting the Block Off Plate
A. Block Off Plate
B. Bagger Mount

Install the Collector Bag

1. Attach the foam strip (**F, Figure 7**) to the bagger mount weldment. The foam strip should be flush with the top edge of the bagger mount weldment.
2. Install the collector bag (**A**) onto the bagger mount (**B**) by sliding the front collector bag pivoting pin (**C**) into the bagger mount support hole (**D**) located on the front of the bagger mount.
3. Place the rear collector pivoting pin into the bagger mount support slot (**E**) located on the back of the bagger mount as shown in Figure 7.

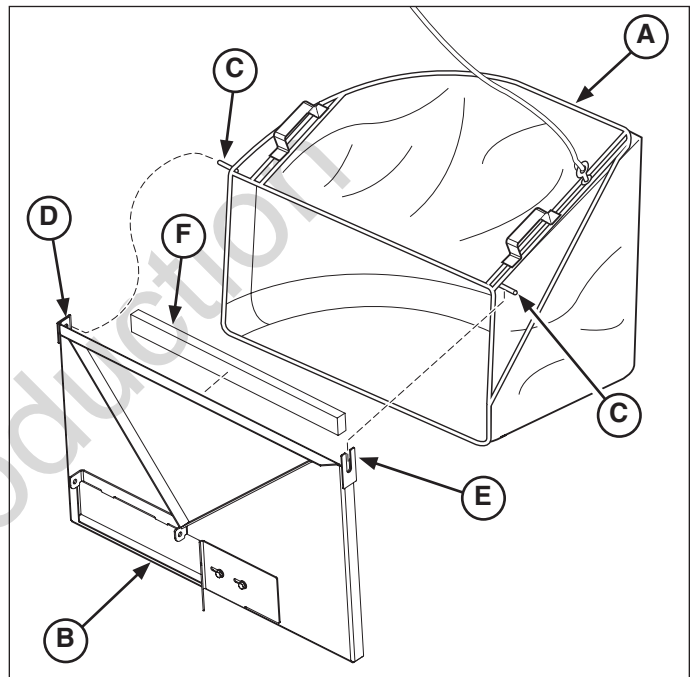


Figure 7. Install the Collector Bag
A. Collector Bag
B. Bagger Mount
C. Collector Bag Pivoting Pins
D. Bagger Mount Support Hole
E. Bagger Mount Support Slot
F. Foam Strip

Tie the Bagger Dump Rope

1. Tie the bagger dump rope (**A, Figure 8**) to the handle bars of the machine as shown in Figure 8. Take care to ensure that enough slack of the rope is used so that rope does not rest against any hot surfaces or any moving parts that it could possibly be entangled in. Also make sure that the rope is NOT so tight that prevents the collector bag from sitting firmly against the bagger mount weldment.

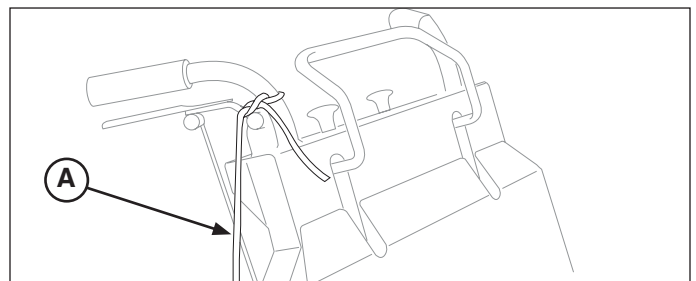


Figure 8. Tying the Bagger Dump Rope
A. Bagger Dump Rope

Safety





Read these safety rules and follow them closely. Failure to obey these rules could result in loss of control of unit, severe personal injury or death to you, or bystanders, or damage to property or equipment. **This mowing deck is capable of amputating hands and feet and throwing objects.**


The triangle  in text signifies important cautions or warnings which must be followed.

General Safety

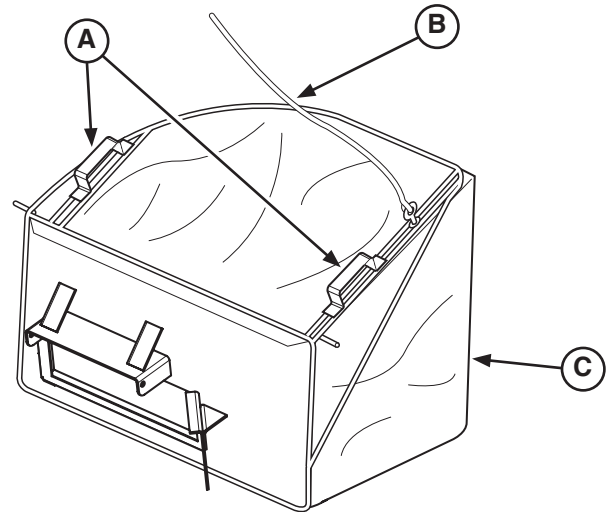
- Know the mower's controls, safety rules and how to stop quickly. **Read and understand the operator's manual.**
- Read and obey all safety decals.
- Wear appropriate ear, eye and breathing protection.
- Do NOT mow in reverse. Always look down and behind before and while traveling in reverse.
- Check the bagger kit to make sure that it is properly attached to the mower deck.

| | |
|--|--|
|  WARNING | |
|  | High speed discharge can cause injury or death. |
| <ul style="list-style-type: none"> • Do NOT operate the unit without the collector bag seated firmly in place against the bagger mount. • Do NOT operate the mower without either the entire bagger kit installed or the discharge chute in place. • Do NOT raise the collector bag away from the bagger mount while the PTO is engage or the mower blade is turning. • When the bagger kit is removed from the unit the discharge chute must be installed. | |

- Disengage the electric clutch (PTO). Shut off the engine and wait for all moving parts to stop before attaching, adjusting or disconnecting any part of the bagger kit.

| |
|---|
|  WARNING |
| <p>Under normal usage bag material is subject to wear. To reduce the risk of injury, inspect catcher assembly frequently and replace if there are any signs of wear and deterioration. Be sure replacement meets original equipment specifications.</p> |

Features



A. Handles

These handles are used to facilitate the installation and removal of the collector bag to the bagger mount plate.

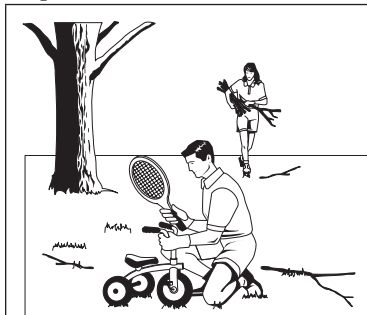
B. Bagger Dump Rope

Position the mower where you want to dump the grass. Turn the PTO off and wait for the blade to stop. Pull the bagger dump rope to raise the collector bag away from the bagger mount and dump the collected grass out. Do NOT pull the bagger dump rope while the PTO blade is engaged or the mower blades are still turning.

C. Collector Bag

Collects the cut grass.

Operation



Before Operation

Clear the lawn of all sticks, stones, wire and other debris which may be caught or thrown by the mower blades.

Check grass condition, if wet, wait until later in the day. If grass is wet, the opening in the bagger mount may become plugged.

Make sure that the bagger mount is fastened securely to the mower deck and that the collector bag seats correctly against the bagger mount.

Mowing with the Bagger Kit

Always operate with throttle at full speed when mowing.

Grass should be cut often, and not too short. If grass is too long or lush it may be necessary to keep ground speed to a minimum or to cut only half the width of the mower to prevent clogging. If grass is long, operate with mower in high cutting position for first pass, cutting again in a lower position on a second pass.

Do not raise the collector bag away from the bagger mount by pulling the collector dump rope while the PTO is engaged or the mower blade is turning.

If a large amount of cut grass is spilling out from under the mower deck, the opening in the discharge mount may be plugged or the collector bag could be full. If this condition exists, discontinue mowing, stop the rider, disengage the PTO and wait for all moving parts to stop, and then empty the collector bag or clear the opening in the discharge mount.

⚠ WARNING

- Always shut the mower off, disengage the PTO, and allow all moving parts to stop before clearing the opening in the bagger mount or emptying the collector bag.
- Before leaving the operator's position for any reason, engage the parking brake, disengage the PTO, stop the engine and remove the key.
- To reduce fire hazard, keep the engine, rider and mower free of grass, leaves and excess grease. Do NOT stop or park mower over dry leaves, grass or combustible materials.

After Operation

Remove any debris from the bagger mount and the collector bag.

Inspect the collector bag for wear and damage. Make sure that the bagger mount is securely attached to the mower deck, and the collector bag is properly seated in the bagger mount.

Storing the Grass Catcher

Before storing the grass catcher make sure that all debris is cleaned from the bagger mount and the collector bag.

If paint has been scratched on metal parts, touch up with paint, or apply a thin film of oil to prevent corrosion.

Store in a dry area. Hang the bagger mount and the collector bag to dry thoroughly before storing for a long period of time. Always store away from moisture.

Mowing Without the Bagger Kit

For operation without the bagger kit, the discharge chute must be properly installed in the down position.

To remove the bagger kit, reverse the installation steps.

Removing the Bagger Kit

1. Park the machine on a flat, level surface. Turn off the PTO, engage the parking brake, turn off the ignition, remove the ignition key, and disconnect the spark plug wire(s).
2. Untie the bagger dump rope (**Figure 7**) from the handle bar.
3. Remove the collector bag (**A, Figure 6**) from the bagger mount (**B**).
4. Remove the quick disconnect rod (**F, Figure 4**).
5. Remove the bagger mount (**G**) from the mower deck.
6. Install the discharge chute (**A, Figure 1**) onto the mower deck (**B**). See Figure 1.
7. Secure with existing discharge chute rod (**C, Figure 1**).