

Installation Instructions

32/36" Bagger Kit

Part No. 5600268

Fits 32/36" Mowers

Kit Contents					
Part No.	Qty.	Description	Part No.	Qty.	Description
5404389A	1	Weld, Bagger Mount, 32/36"	5404385A	1	Plate, Bagger Mount Bracket, 32/36"
5404388A	1	Plate, Bagger Mount Bracket, Deck 36"	5404384A	1	Plate, Bagger Mount Bracket, Support, 32/36"
5404386A	1	Plate, Block Off Plate, 32/36"	5046773	1	Rod, Quick Connect
5025210	1	Pin, Hair, .0915 X 1-7/8	5025013X8	4	Bolt, 3/8-16 X 1 GD5 YZ
5025156	4	Washer, 3/8 SAE	5025394	4	Nut, 3/8-16 Hex Nylock Flange
5025011X6	2	Bolt, 5/16-18 X 3/4 GD5	5025155	2	Washer, 5/16 SAE
5025392	2	Nut, 5/16-18 Hex Nylock Flange	5101588	1	Collection Bag
5413739A	1	Plate, 32/36 Bagger, Block Off	5050913X2	1	Foam, 3/4 X 1 X 28.25

IMPORTANT NOTE: If you are installing this kit on a FW25 or SW25 model, you must also order and install part number 5600861 - "Kit, Bagger Counter Spring, W25".

⚠ WARNING



Remove the ignition key prior to performing maintenance on the unit.

Before beginning any service work turn off the PTO, engage the parking brake, turn off the ignition, remove the ignition key, and disconnect the spark plug wire(s).

Installation

Remove the Discharge Chute

1. Park the machine on a flat, level surface. Turn off the PTO, engage the parking brake, turn off the ignition, remove the ignition key, and disconnect the spark plug wire(s).

Important Note: In these instructions "left" and "right" are referred to from the operator's position.

2. **32" Model** - Remove the 5/16" bolts (B, Figure 1) and nuts (C) from the discharge chute (A).

36" Model Rubber Chute - Remove the 5/16" nuts (C) and washers (E) from the discharge chute rod (F). Remove the chute rod from the mower deck (D).

36" Model Plastic Chute - Remove the 5/16" bolts (B) and nuts (C) from the mower deck (D). Remove the chute mount (G) and chute support (H).

3. Remove the chute (A) from the mower deck (D).

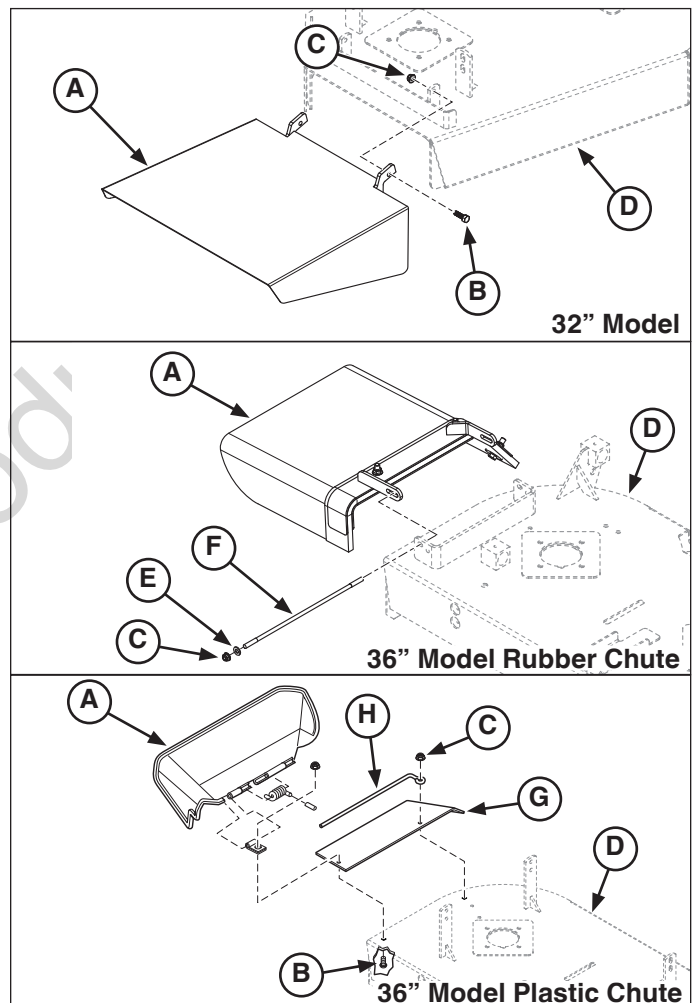


Figure 1. Removing Discharge Chute

Assembling the Bagger Mount

1. The mount bracket (**A, Figure 2**) features two (2) sets of holes. For installing the bagger on a SW25 or FW25 with 36" mower deck use the holes labelled "1" in Figure 2. For all other models use the holes labelled "2" in Figure 2.
2. Reference **Figure 3**. Install two (2) 3/8" bolts (**A, Figure 3**) with 3/8" washers (**B**) through the mount bracket (**C**), bagger weldment (**D**) and the bracket support plate (**E**). Then secure the bolts with two (2) 3/8" nuts (**F**).

Install the Adjustable Block Off Plate (SW25 & FW25 Models)

1. Loosely install two (2) 5/16" bolts (**A, Figure 4**) with 5/16" washers (**B**) through the block off plate (**C**) and the adjustable blocking plate (**D**) and bagger weldment (**E**). Then secure with two (2) 5/16" nuts (**F**).

Install the Adjustable Block Off Plate (All Other Models)

1. Loosely install two (2) 5/16" bolts (**A, Figure 4**) with 5/16" washers (**B**) through the block off plate (**C**) and bagger weldment (**E**). Then secure with two (2) 5/16" nuts (**F**).

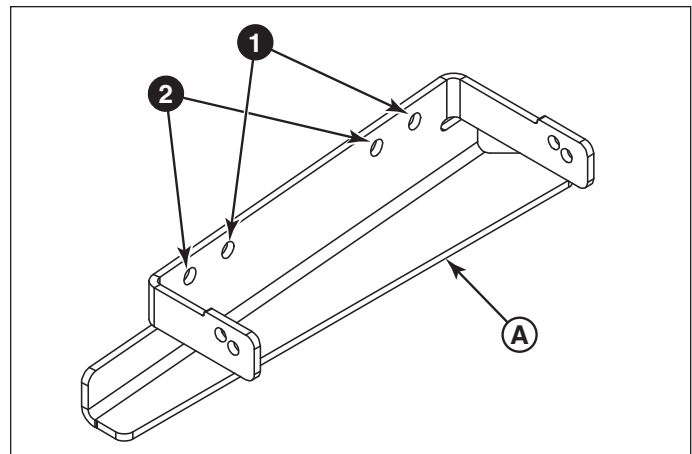


Figure 2. Determining the Correct Mount Bracket Holes to Use

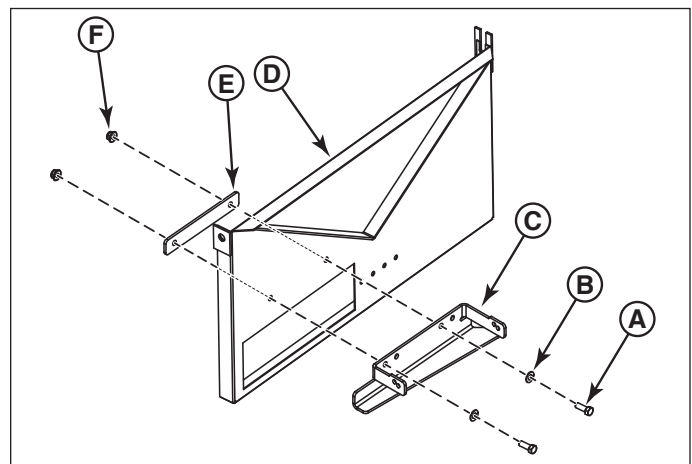


Figure 3. Securing the Mount Bracket to the Bagger Weldment

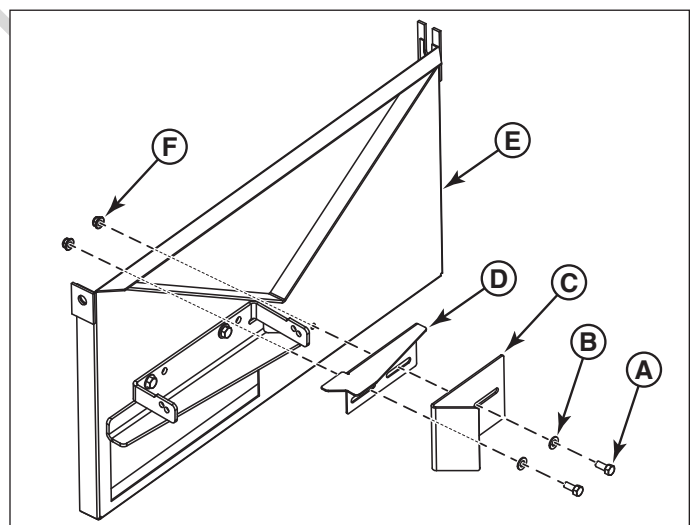


Figure 4. Mounting the Block Off Plates to the Bagger Weldment

Preparing the Mower Deck (36" Models Only)

1. Attach the deck mount bracket (**F**, **Figure 5**) to the assembled bagger mount (**B**) with the quick disconnect rod and hair pin (**E**).
2. Place the assembled bagger into position as shown in Insert 2 of Figure 5. The bagger mount should rest flush on top of the mower deck (**A**). The deck mount bracket should be aligned parallel to the side of the mower deck and positioned so its equally spaced between the edges of the discharge chute mounting bracket. See Insert 3 of Figure 5.
3. With the bagger mount in the proper position, mark the hole locations (**C**) on the mower deck. Remove the bagger mount and drill two (2) .390 holes through the deck.

NOTE: The 36" Models with plastic discharge chutes will not have a discharge chute mounting bracket (D) welded to the mower deck. For proper positioning, align the front of the bagger mount (B) flush with the front on the mower deck.

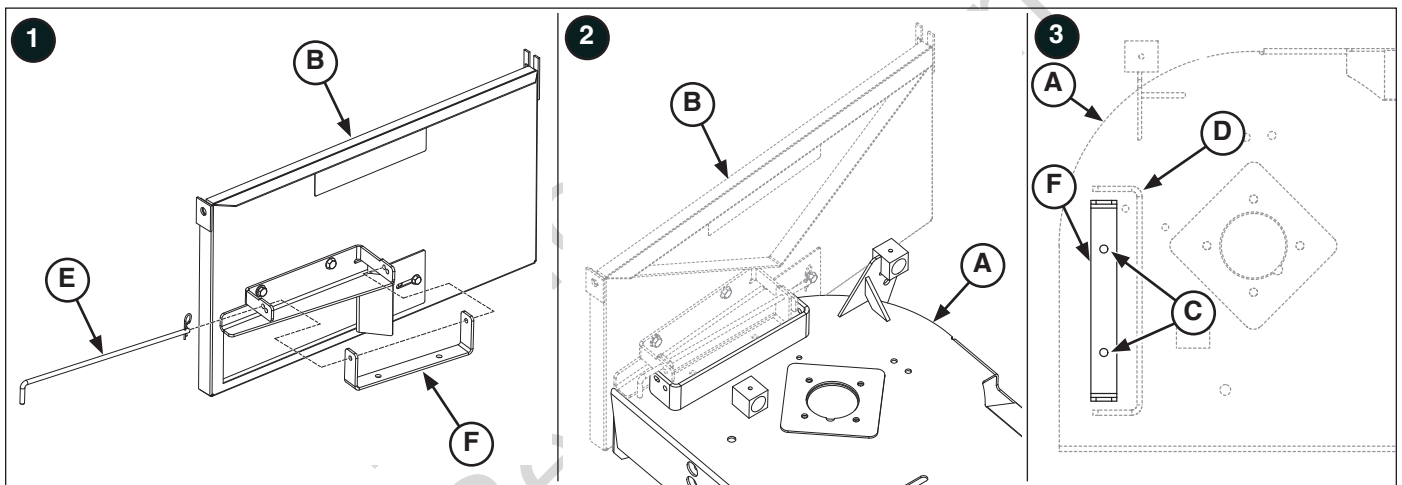


Figure 5. Preparing the Mower Deck

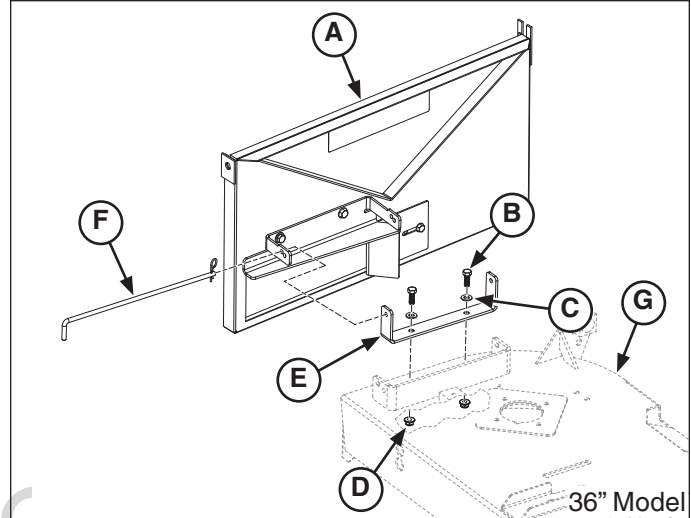
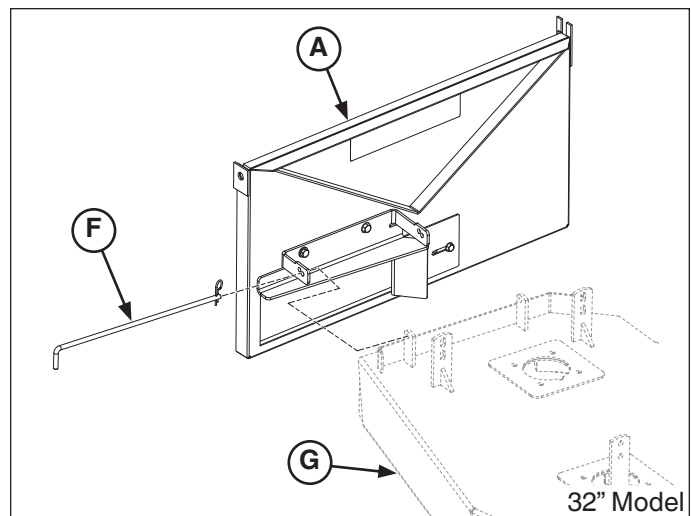
Installing the Bagger Mount

32" Model

1. Install the quick disconnect rod (F, Figure 6) through the outer hole of the mount bracket and on through the discharge chute mounting tabs. Secure the quick disconnect rod with the hair pin. See Figure 6.

36" Model

1. Install two (2) 3/8" bolts (B) with 3/8" washers (C) through the deck mount bracket (E) and previously drilled holes in the mower deck (G). Secure the bolts with two 3/8" nuts (D).
2. Install the quick disconnect rod (F) through the inner hole of the mount bracket and on through the deck mount bracket (E). Secure the quick disconnect rod with the hair pin. See Figure 6.



Adjusting the Block Off Plate and Blocking Plate (SW25 & FW25 Models)

1. With the bagger mount installed slide the blocking plate (A, Figure 7) so it contacts the edge of the mounting bracket (B). Then slide the block off plate (C) towards the mower deck, covering any opening between the bagger mount and the deck.
2. Tighten the 5/16" hardware previously installed.

Adjusting the Block Off Plate (All Other Models)

1. With the bagger mount installed, slide the block off plate (A, Figure 8) toward the mower deck, covering any opening between the bagger mount and the deck.
2. Tighten the 5/16" hardware previously installed.

Figure 6. Installing the Bagger Mount

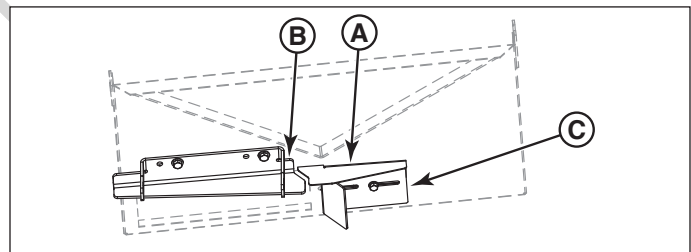


Figure 7. Adjust the Block Off Plate and Blocking Plate (SW25 & FW25 Models)

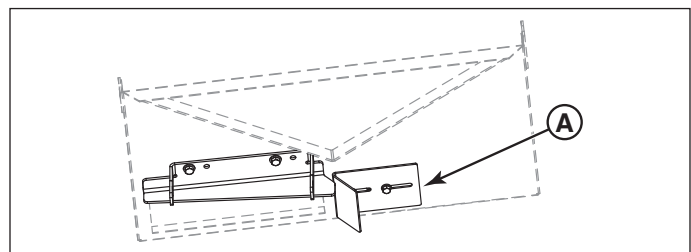


Figure 8. Adjust the Block Off Plate (All Other Models)

Install the Collector Bag

1. Attach the foam strip (F, **Figure 9**) to the bagger mount weldment (B). The foam strip should be flush with the top edge of the bagger mount weldment.
2. Install the collector bag (A) onto the bagger mount by sliding the front collector bag pivoting pin (C) into the bagger mount support hole (D) located on the front of the bagger mount.
3. Place the rear collector pivoting pin (E) into the bagger mount support slot (F) located on the back of the bagger mount as shown in Figure 9.

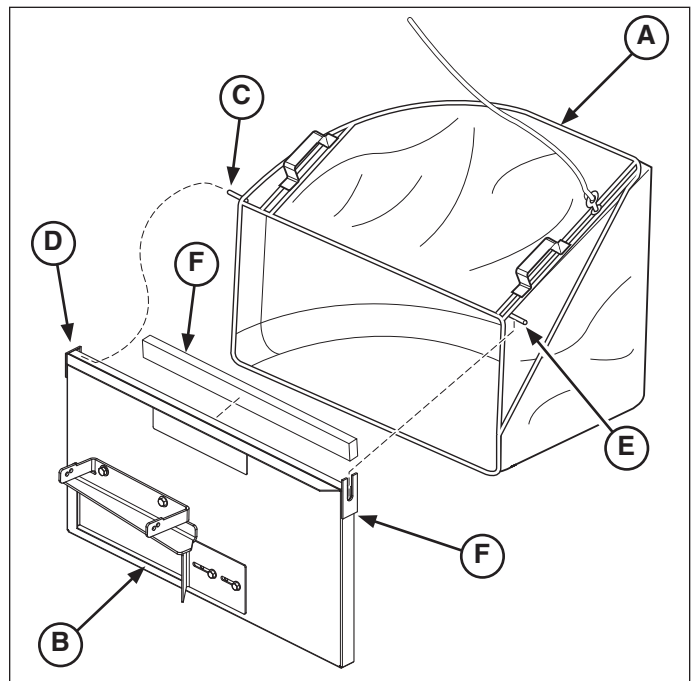


Figure 9. Install the Collector Bag

Tie the Bagger Dump Rope

1. Tie the bagger dump rope (A, **Figure 10**) to the handle bars of the machine as shown in Figure 10. Take care to ensure that enough slack of the rope is used so that rope does not rest against any hot surfaces or any moving parts that it could possibly be entangled in. Also make sure that the rope is NOT so tight that prevents the collector bag from sitting firmly against the bagger mount weldment.

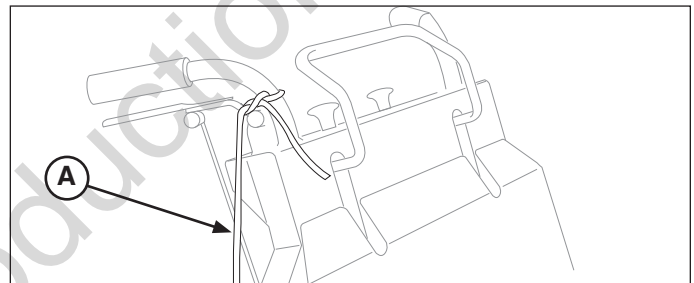


Figure 10. Tying the Bagger Dump Rope

Safety



Read these safety rules and follow them closely. Failure to obey these rules could result in loss of control of unit, severe personal injury or death to you, or bystanders, or damage to property or equipment. **This mowing deck is capable of amputating hands and feet and throwing objects.** The triangle in text signifies important cautions or warnings which must be followed.

General Safety

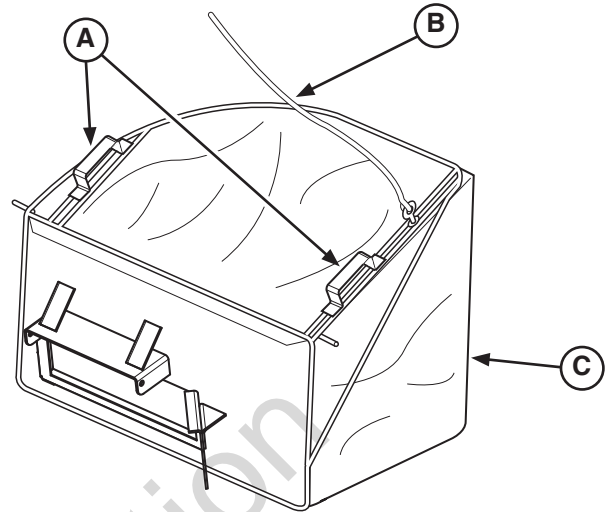
- Know the mower's controls, safety rules and how to stop quickly. **Read and understand the operator's manual.**
- Read and obey all safety decals.
- Wear appropriate ear, eye and breathing protection.
- Do NOT mow in reverse. Always look down and behind before and while traveling in reverse.
- Check the bagger kit to make sure that it is properly attached to the mower deck.

⚠ WARNING	
	High speed discharge can cause injury or death.
<ul style="list-style-type: none"> • Do NOT operate the unit without the collector bag seated firmly in place against the bagger mount. • Do NOT operate the mower without either the entire bagger kit installed or the discharge chute in place. • Do NOT raise the collector bag away from the bagger mount while the PTO is engage or the mower blade is turning. • When the bagger kit is removed from the unit the discharge chute must be installed. 	

- Disengage the electric clutch (PTO). Shut off the engine and wait for all moving parts to stop before attaching, adjusting or disconnecting any part of the bagger kit.

⚠ WARNING
Under normal usage bag material is subject to wear. To reduce the risk of injury, inspect catcher assembly frequently and replace if there are any signs of wear and deterioration. Be sure replacement meets original equipment specifications.

Features



A. Handles

These handles are used to facilitate the installation and removal of the collector bag to the bagger mount plate.

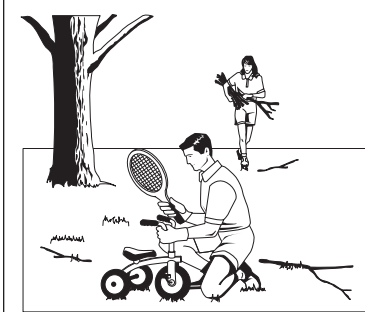
B. Bagger Dump Rope

Position the mower where you want to dump the grass. Turn the PTO off and wait for the blade to stop. Pull the bagger dump rope to raise the collector bag away from the bagger mount and dump the collected grass out. Do NOT pull the bagger dump rope while the PTO blade is engaged or the mower blades are still turning.

C. Collector Bag

Collects the cut grass.

Operation



Before Operation

Clear the lawn of all sticks, stones, wire and other debris which may be caught or thrown by the mower blades.

Check grass condition, if wet, wait until later in the day. If grass is wet, the opening in the bagger mount may become plugged.

Make sure that the bagger mount is fastened securely to the mower deck and that the collector bag seats correctly against the bagger mount.

Mowing with the Bagger Kit

Always operate with throttle at full speed when mowing.

Grass should be cut often, and not too short. If grass is too long or lush it may be necessary to keep ground speed to a minimum or to cut only half the width of the mower to prevent clogging. If grass is long, operate with mower in high cutting position for first pass, cutting again in a lower position on a second pass.

Do not raise the collector bag away from the bagger mount by pulling the collector dump rope while the PTO is engaged or the mower blade is turning.

If a large amount of cut grass is spilling out from under the mower deck, the opening in the discharge mount may be plugged or the collector bag could be full. If this condition exists, discontinue mowing, stop the rider, disengage the PTO and wait for all moving parts to stop, and then empty the collector bag or clear the opening in the discharge mount.

⚠ WARNING

- Always shut the mower off, disengage the PTO, and allow all moving parts to stop before clearing the opening in the bagger mount or emptying the collector bag.
- Before leaving the operator's position for any reason, engage the parking brake, disengage the PTO, stop the engine and remove the key.
- To reduce fire hazard, keep the engine, rider and mower free of grass, leaves and excess grease. Do NOT stop or park mower over dry leaves, grass or combustible materials.

After Operation

Remove any debris from the bagger mount and the collector bag.

Inspect the collector bag for wear and damage. Make sure that the bagger mount is securely attached to the mower deck, and the collector bag is properly seated in the bagger mount.

Storing the Grass Catcher

Before storing the grass catcher make sure that all debris is cleaned from the bagger mount and the collector bag.

If paint has been scratched on metal parts, touch up with paint, or apply a thin film of oil to prevent corrosion.

Store in a dry area. Hang the bagger mount and the collector bag to dry thoroughly before storing for a long period of time. Always store away from moisture.

Mowing Without the Bagger Kit

For operation without the bagger kit, the discharge chute must be properly installed in the down position.

To remove the bagger kit, reverse the installation steps.

Removing the Bagger Kit

1. Park the machine on a flat, level surface. Turn off the PTO, engage the parking brake, turn off the ignition, remove the ignition key, and disconnect the spark plug wire(s).
2. Untie the bagger dump rope (**Figure 10**) from the handle bar.
3. Remove the collector bag (**A, Figure 9**) from the bagger mount (**B**).
4. Remove the quick disconnect rod (**F, Figure 6**).
5. Remove the bagger mount (**A**) from the mower deck.
6. **36" Models Only** - Remove the two (2) 3/8" bolts (**B, Figure 6**) securing the deck mount bracket (**E**) to the mower deck.
7. Install the discharge chute (**A, Figure 1**) onto the mower deck (**D**). See Figure 1.
8. **32" Model** - Secure with two (2) existing 5/16" nuts and bolts (**B, C, Figure 1**).
36" Model (Plastic) - Secure with two (2) existing 5/16" nuts and bolts (**B, C, Figure 1**).
36" Model (Rubber) - Secure with existing 5/16" discharge chute rod (**F, Figure 1**).