

# Installation Instructions

# Suspension Insert Module Kit

Part No. 5600474

Fits Models equipped with part no. 5102760 Companion Seat

Kit Contents					
Part No.	Qty.	Description	Part No.	Qty.	Description
5102761	1	SUSPENSION MODULE	5401044A	1	EXTENSION, SEAT BELT - BLK
5101223	1	SUPER SLEEVE BUCKLE			

## ⚠ WARNING



**Remove the ignition key prior to performing maintenance on the unit.**

Before beginning any service work turn off the PTO, engage the parking brake, turn off the ignition, remove the ignition key, and disconnect the spark plug wire(s).

**Purpose:** The purpose of this kit is to update the standard part no. 5102760 Companion seat to a suspension seat.

**IMPORTANT NOTE:** This suspension seat kit applies to several different models and the illustration may not exactly match the machine that you are working on, but the procedure is the same.

## REMOVING THE SEAT

1. Park the machine on a flat, level surface such as a concrete floor. Engage the parking brake, disengage the PTO switch, turn off the ignition, remove the ignition key and wait for all moving parts to stop. Disconnect the spark plug(s).
2. Raise the seat plate (A, Figure 1) to gain access to the four (4) 5/16-18 nylock flange nuts (B) that secure the existing seat to the seat plate.
3. Remove the four (4) 5/16-18 nylock flange nuts and remove the seat from the seat plate. Retain the four (4) 5/16-18 nylock flange nuts.

## INSTALLING THE SUSPENSION MODULES ON THE SEAT

1. Remove the seat positioning tracks (A, Figure 2) from the seat (B) by removing the four (4) button socket bolts (C) and six (6) conical washers (D). Discard the four (4) button socket bolts and six (6) conical washers.

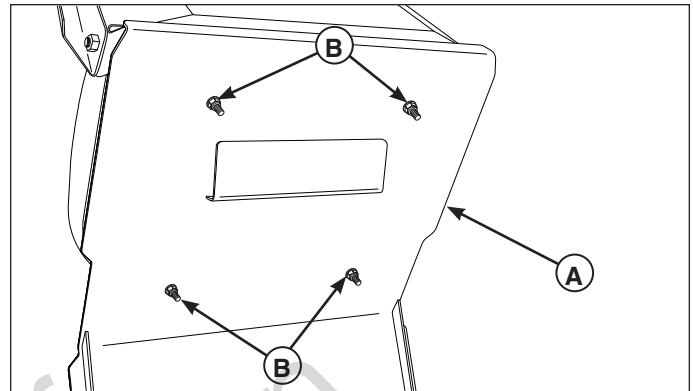


Figure 1. Remove The Existing Seat  
A. 5/16-18 Nylock Flange Nuts  
B. Seat Plate

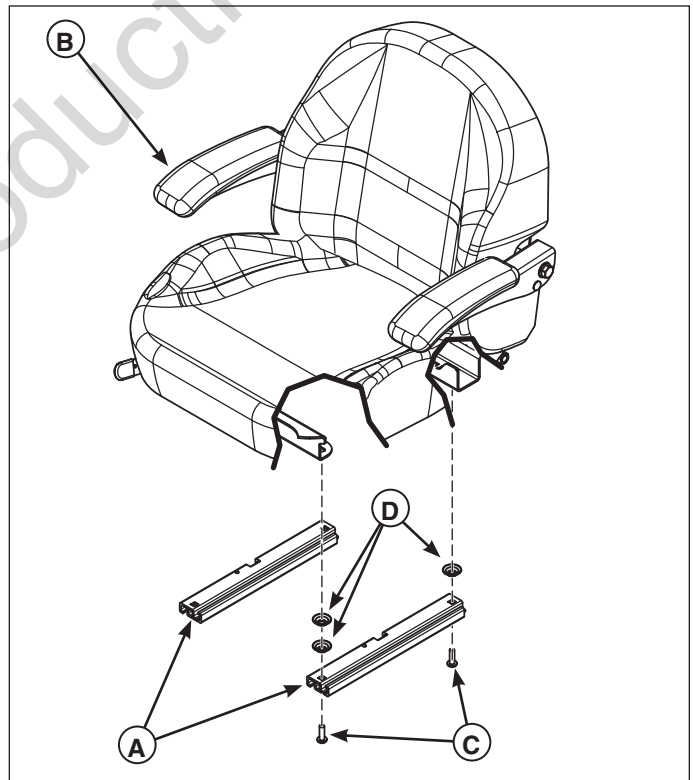
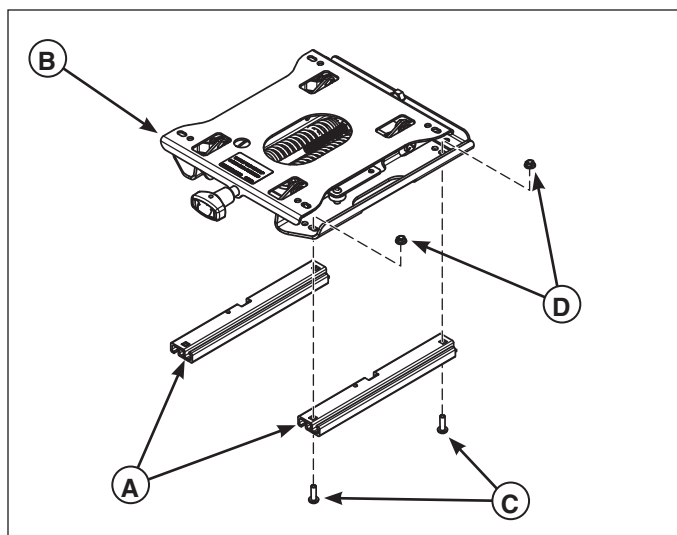


Figure 2. Removing the Seat Positioning Tracks  
A. Seat Positioning Tracks  
B. Seat  
C. Button Socket Bolts  
D. Conical Washers

## *Installing the Suspension Module on the Seat continued.*

2. Attach the seat positioning tracks (**A, Figure 3**) to the suspension module (**B**) using four (4) of the supplied 5/16 X 1" long button socket bolts (**C**) and 5/16 flange nuts (**D**). A 3/16" allen wrench can be used to attach the 5/16 X 1" long button socket bolts through the square holes in the seat positioning tracks top channel, through the mounting slots in the suspension module's bottom housing and into the 5/16" flange nuts.
3. Position the seat positioning tracks to the far outside of the mounting slots to achieve a 11-1/4" (28.6 cm) parallel alignment width between the posts on the suspension rails.
4. Torque all four (4) of the 5/16 X 1" long button socket bolts to 15 - 20 ft. lbs. (20 - 27 Nm).
5. Attach suspension module / seat positioning rails assembly (**A, Figure 4**) to the seat (**B**) with four (4) of the supplied 5/16 X 1" long bolts (**C**) and 5/16 lock washers (**D**). Torque the 5/16 X 1" long bolts to 15 - 20 ft. lbs. (20 - 27 Nm).



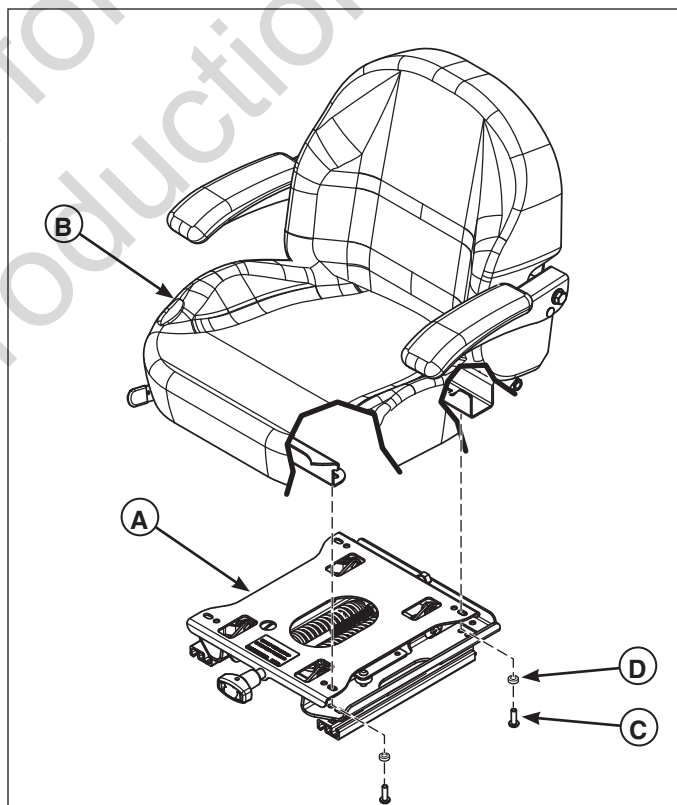
*Figure 3. Installing the Seat Positioning Rails to the Suspension Module*

- A. Seat Positioning Tracks
- B. Suspension Module
- C. 5/16 X 1" Long Button Socket Bolts
- D. 5/16 Flange Nuts

## INSTALL THE SEAT

1. Install the seat with suspension module onto the seat plate (**A, Figure 1**) and secure using the four (4) 5/16-18 nylock flange nuts (**B**) that were previously removed.
2. Move the seat adjustment lever away from the seat and move the seat forward and back to check for smooth rail function.

If the tracks are binding, loosen the four (4) button socket bolts (**C, Figure 3**) that connect the rails to the suspension module. Adjust the seat forward and backwards until the binding is relieved and then retighten the four (4) button socket bolts that connect the rails to the suspension module



*Figure 4. Attach the Suspension Module / Seat Positioning Rails Assembly to the Seat*

- A. Suspension Module / Seat Positioning Rails Assembly
- B. Seat
- C. 5/16 X 1" Long Bolts
- D. 5/16 Lock Washers

## INSTALLING THE NEW SEAT BELT COMPONENTS

1. See Figure 5. On the right hand side of the machine, replace the existing seat sleeve buckle (**A, Figure 5**) with the new super sleeve buckle. Replace the existing seat belt extension plate (**B**) with the new seat belt extension plate.

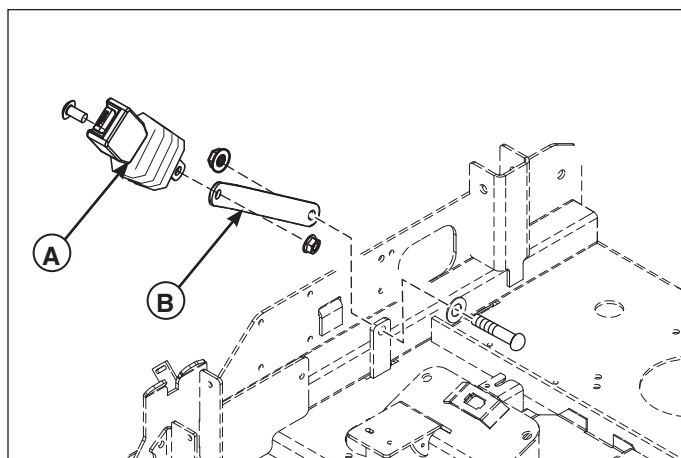


Figure 5. Install the New Seat Sleeve Buckle & Seat Belt Extension Plate

A. Seat Sleeve Buckle

B. Seat Belt Extension Plate

## SEAT ADJUSTMENT

See Figure 6. In addition to the forward and backward seat adjustment, models equipped with this suspension seat can adjust the stiffness of the suspension.

### Forward and Backward Adjustment:

Move the seat adjustment lever (**A, Figure 6**) away from the seat, position the seat as desired, and release the lever to lock the seat in position.

### Suspension Adjustment:

Turn the suspension adjustment knob (**B**) to the right to increase stiffness of the suspension. Turn the adjustment knob to the left to decrease the stiffness of the suspension.

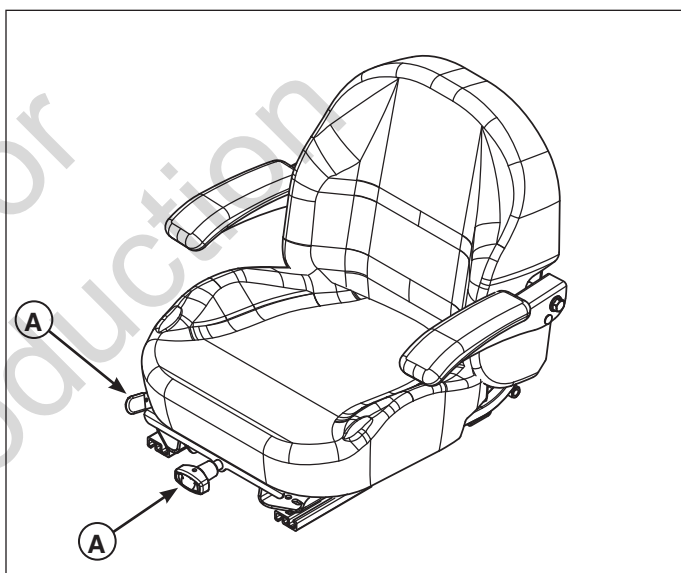


Figure 6. Seat Adjustment

A. Seat Adjustment Lever

B. Suspension Adjustment Knob