

Installation Instructions

Clutch Replacement Kit

Part No. 5600679

Fits F/S800XY Models S/N: 2015745413 & Below

Kit Contents					
Part No.	Qty.	Description	Part No.	Qty.	Description
5103591	1	Clutch, Warner, S800X, Yanmar	5102862	1	Bolt, Crankshaft, 7/16-20 X 2
5102965	1	Spacer, .45 X 1.88 X .38	5025585	2	Belleville Washer, 1.1875 X .442 X .089

Purpose: The clutch used on Yanmar diesel-powered 800X Out-Front Zero-Turn Riding Mowers in the serial number range 2015745413 & below is no longer available. The replacement clutch requires a spacer, two belleville washers, and a different crankshaft bolt.

⚠ WARNING



Remove the ignition key prior to performing maintenance on the unit.

Before beginning any service work turn off the PTO, engage the parking brake, turn off the ignition, remove the ignition key, and disconnect the spark plug wire(s).

Replacing the Clutch

1. Park the unit on a flat, level surface such as a concrete floor. Disengage the PTO, engage the parking brake, turn the ignition key OFF and remove the key.
2. Gain access to the clutch by removing the drive shaft (A, Figure 1), stub shaft (B), and clutch spacer (C).
3. Remove the crankshaft bolt (D), clutch (E), and key (F).
4. Reinstall the key in the drive shaft and install the new clutch (G), the spacer (H), the two belleville washers (I) (with their domes facing away from the clutch), and secure using the crankshaft bolt (J). Torque the crankshaft bolt to 65 ft.lbs. (88 Nm).
5. Reinstall the clutch spacer (C), stub shaft (B), and drive shaft (A).

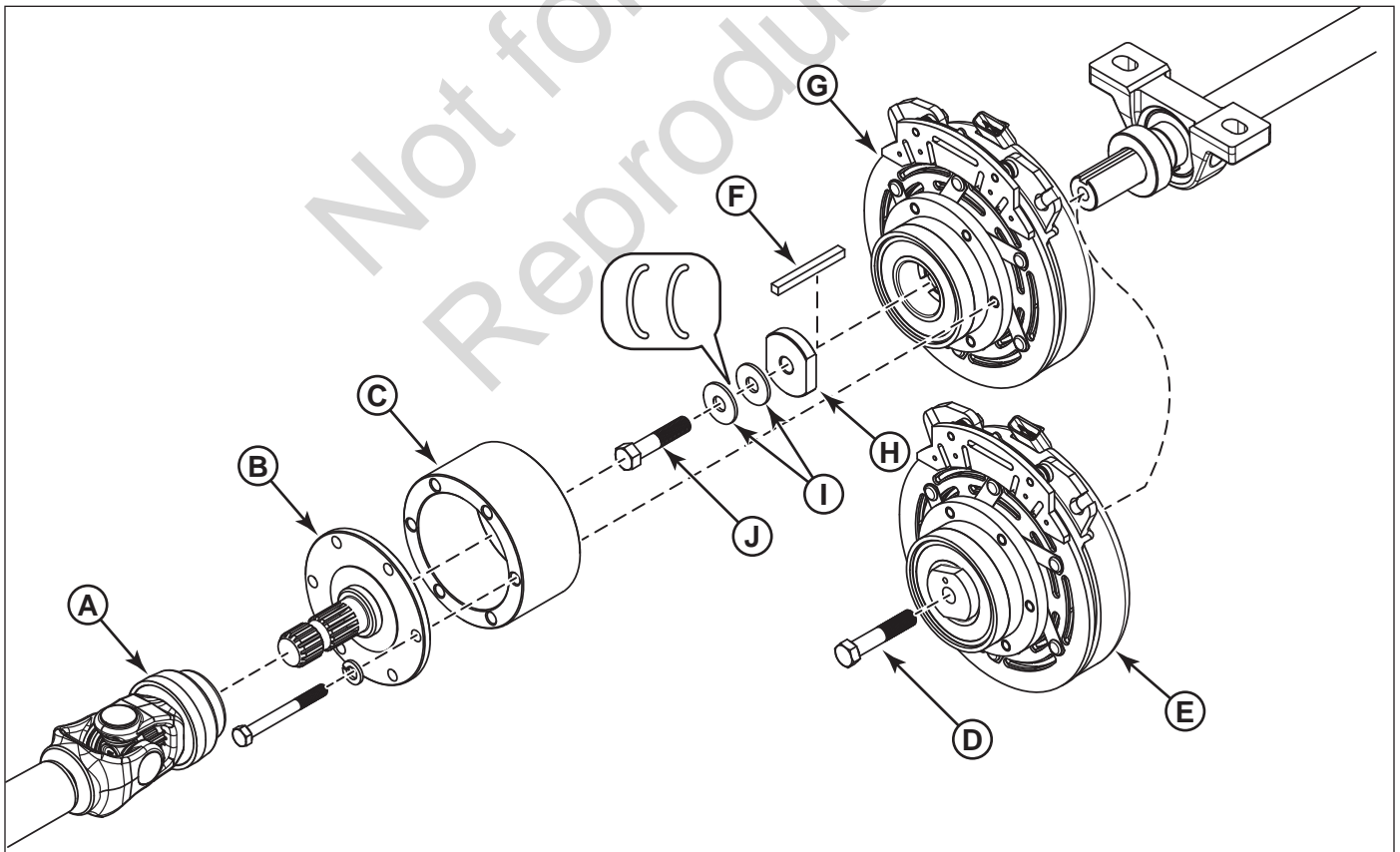


Figure 1. Replacing the Clutch