

Installation Instructions

Weight Bracket Kit

Part No. 5600773

Fits Ferris F800X & Snapper Pro S800X Models

Kit Contents					
Part No.	Qty.	Description	Part No.	Qty.	Description
5412969A	1	WELD, WEIGHT BRACKET, 800, RH - BLK	5025158	4	WASHER, 1/2 SAE
5412909A	1	WELD, WEIGHT BRACKET, S800, LH - BLK	5025018X12	4	BOLT, 1/2-20 X 1-1/2 GD8 CZ
5025456	2	PIN, CLEVIS, 1/2 X 4-1/2, PLATED	5025098	4	NUT, 1/2-20 HEX NYLON LOCK
5025210	2	PIN, HAIR, .0915 X 1-7/8			

⚠ WARNING



Remove the ignition key prior to performing maintenance on the unit.

Before beginning any service work turn off the PTO, engage the parking brake, turn off the ignition, remove the ignition key.

REAR WEIGHT INSTALLATION

These instructions detail the procedure for installing the rear weights onto the zero-turn riding mower.

1. On the right side of the machine remove the front two (2) 1/2-20 X 1-1/4 bolts (**A**, **Figure 1**), 1/2 SAE washers (**B**), and 1/2-20 hex nylon lock nuts (**C**) that secure the tail wheel mount (**D**) to the frame of the unit (**E**). Discard this hardware.
2. Position the right-hand weight mount (**A**, **Figure 2**) so that it's holes align with the holes in the tail wheel mount (**B**) and frame of the unit (**C**) and secure with two (2) 1/2-20 X 1-1/2 bolts (**D**), 1/2 SAE washers (**E**), and 1/2-20 hex nylon lock nuts (**F**).

NOTE: 50 LB weights (P/N: 1717627) are sold separately. Two (2) are necessary for the kit. They are available through your normal part source.

3. Install the weight (**G**) onto the weight mount.
4. Install the 1/2" X 4-1/2" clevis pin (**H**) through the weight mount and the weight to lock the weight in place.
5. Install the hair pin (**I**) into the clevis pin to lock it in place.
6. Repeat the process for the other side of the machine

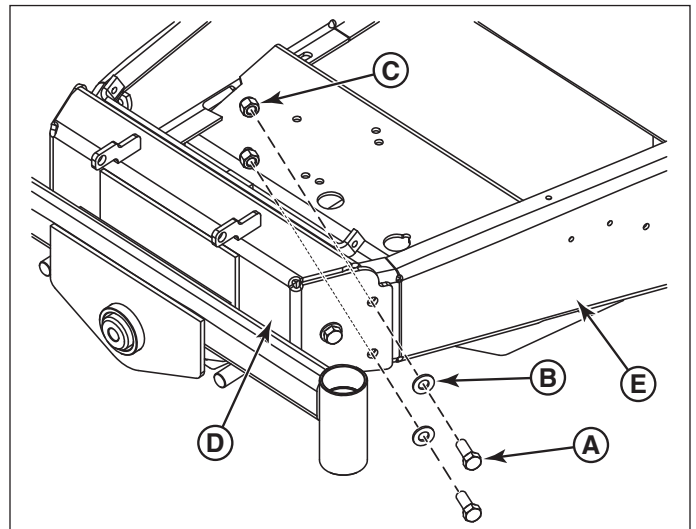


Figure 1. Tail Wheel Mount Hardware Removal

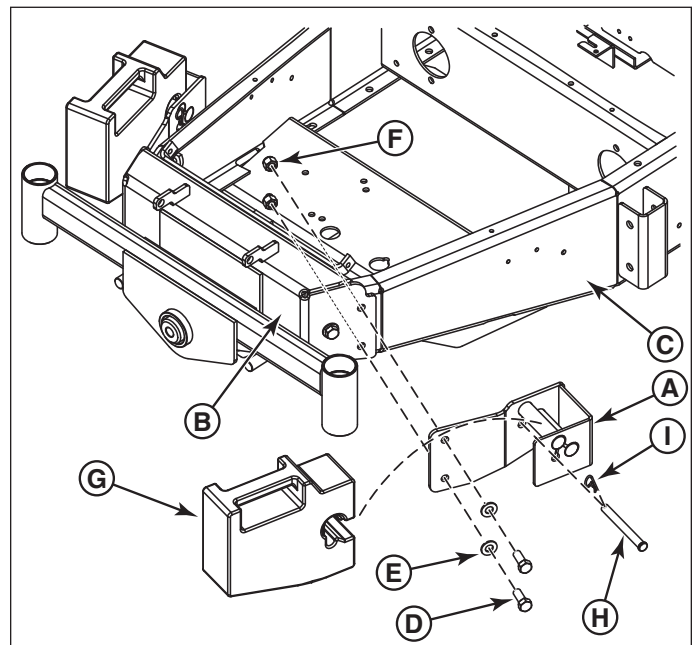


Figure 2. Rear Weight Installation