

Installation Instructions

Mulch Kits

Part No. 5600828

Fits Ferris FW25 and Snapper Pro SW25 w/ 36" Mower Decks

Kit Contents					
Part No.	Qty.	Description	Part No.	Qty.	Description
5413808A	1	PLATE, BLOCKOFF, W25 36 - BLK	5103304X2	1	BLADE SET, MULCH, 36 DECK (2)
5413810A	1	WELD, MULCH RING, W25 36 - BLK	5025472	6	3/8 PUSHNUT BOLT RETAINER
5413813A	1	WELD, MULCH RING, W25 36 - BLK	80004566	6	BOLT, 3/8-3-16X1.00, RD SH SQ NK, GR 5, ZC/CL
5025394	6	NUT, 3/8-16 HEX NYLOCK FLANGE			

⚠ WARNING



Remove the ignition key prior to performing maintenance on the unit.

Before beginning any service work turn off the PTO, engage the parking brake, turn off the ignition, remove the ignition key, and disconnect the spark plug wire(s).

Installing the Mulch Kit

1. Park the machine on a flat, level surface such as a concrete floor. Disengage the PTO, engage the parking brake, turn off the engine, and remove the ignition key.
2. Installation would be easiest if the mower deck was removed from the machine.
3. Remove the deflector plate, if equipped.
4. Install two (2) carriage bolts (**A**, **Figure 1**) down through the block off plate (**B**) and secure with push nuts (**C**).
5. Install two (2) carriage bolts up through the right side mulch ring (**D**) and secure with push nuts.
6. Install two (2) carriage bolts up through the center mulch ring (**E**) and secure with push nuts.
7. Lift the discharge chute up and out of the way and install the block-off plate over the discharge opening and secure with two (2) 3/8" nylock flange nuts (**F**).
8. Install the center mulch ring as shown in **Figure 1** up through the mower deck and secure with two (2) 3/8" nylock flange nuts.
9. Install right side mulch ring as shown in **Figure 1** up through the mower deck and secure with two (2) 3/8" nylock flange nuts.

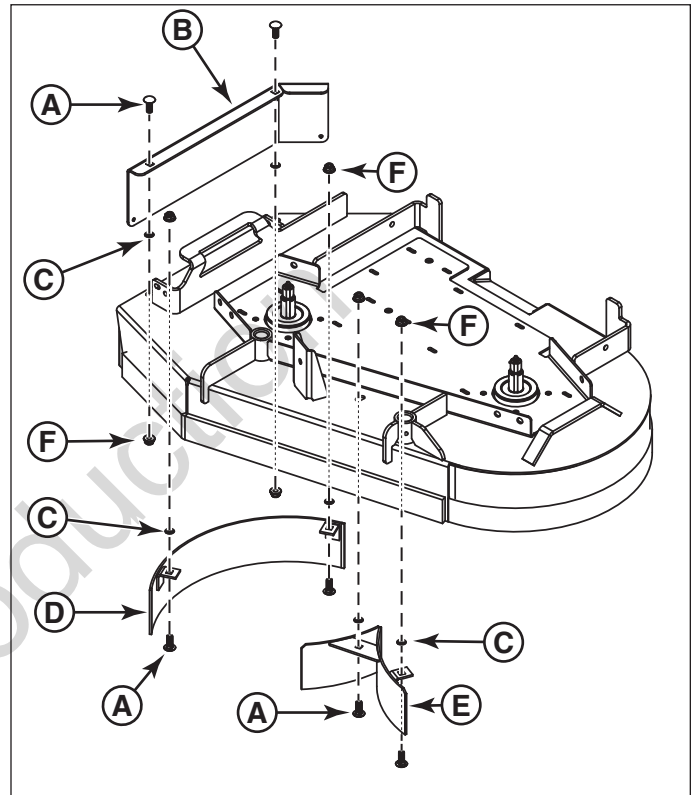


Figure 1. Install the Block-off Plate

Installing the Mulching Blades

1. To remove the mower blade, wedge a wooden block between the mower blade and the mower deck housing to keep the mower blade from turning, then remove the 5/8" hardware. See **Figure 2**.
2. Install the new mulching blades using the existing hardware, be sure to install the blades in the correct direction. See **Figure 3**.

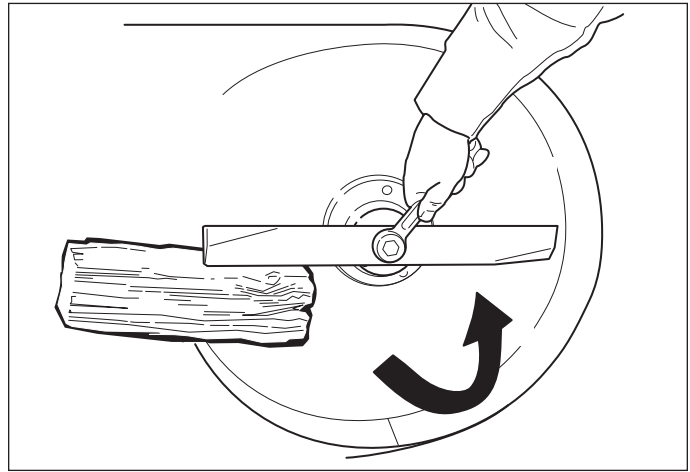


Figure 2. Removing the Mower Blades

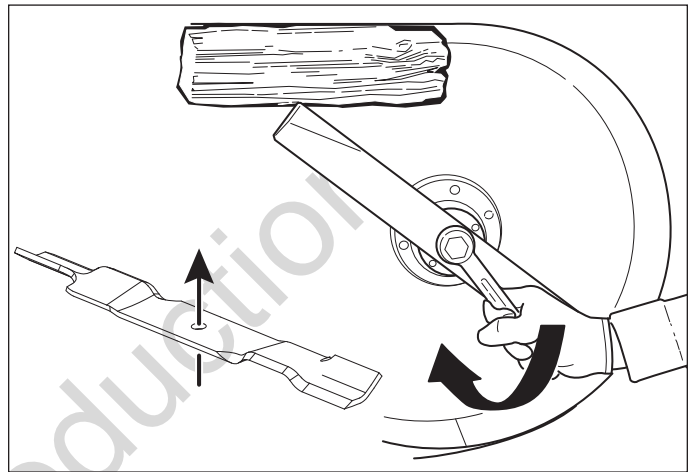


Figure 3. Installing the Mulching Blades

Not for
Reproduction