

Installation Instructions

Counter Balance Kit

Part No. 5600861

Fits Ferris FW25 & Snapper Pro SW25 Models

Kit Contents					
Part No.	Qty.	Description	Part No.	Qty.	Description
5413837A	1	Weld, Deck Stop, W25 Bagger	5025442X8	1	Bolt, 3/8-24 X 1" GD8 YZ
5104345	1	Shaft, Rear Deck Lift, SW25/FW25	5025155	2	Washer, 5/16" SAE
5025305	1	Washer, .41 X 1.75 X .14	5025011X8	2	Bolt, 5/16-18 X 1" GD5
5025171	1	Washer, 3/8 Lock	5025392	2	Nut, 5/16-18 Hex Nylock Flange
7078299	1	Spring, Control Rod	5025612	1	Pin, Hair, .1719 X 3-1/4, 7/8 Eye, CZ
5025165	1	Washer-3/8 Fender			

⚠ WARNING



Remove the ignition key prior to performing maintenance on the unit.

Before beginning any service work turn off the PTO, engage the parking brake, turn off the ignition, remove the ignition key.

Counter Balance Kit Installation

These instructions detail the procedure for installing the counter balance kit onto either an FW25 or SW25 walk behind mower equipped with a bagger kit.

1. Park the unit on a flat, level surface such as a concrete floor. Depress the neutral return pedals to return the transmissions to neutral, disengage the PTO, engage the parking brake, turn the ignition switch to OFF, and remove the key.
2. Lower the mower deck to its lowest cutting position.
3. Remove the hair pin (A, Figure 1) and spacer (B) from the deck height shaft (C).
4. Position the deck stop plate (D) onto the deck mount plate (E). Center the 11/16" hole in the deck stop plate with the 11/16" hole in the deck mount plate. Align the front edge of the deck stop plate with the front edge of the deck mount plate so that the two are parallel. Clamp the deck stop plate in place.
5. Using the 21/64" holes in the deck stop plate as guides, drill two 21/64" holes through the deck mount plate.
6. Mount the deck stop plate (A, Figure 2) to the deck mount plate through the newly drilled holes using two (2) 5/16-18 X 1" bolts (B), 5/16" SAE washers (C), and 5/16-18 hex nylock flange nuts (D).
7. Press down on the back left edge of the mower deck and insert the spring and shaft assembly (E) up through the deck stop plate. The spring rests on the top of the mower deck.

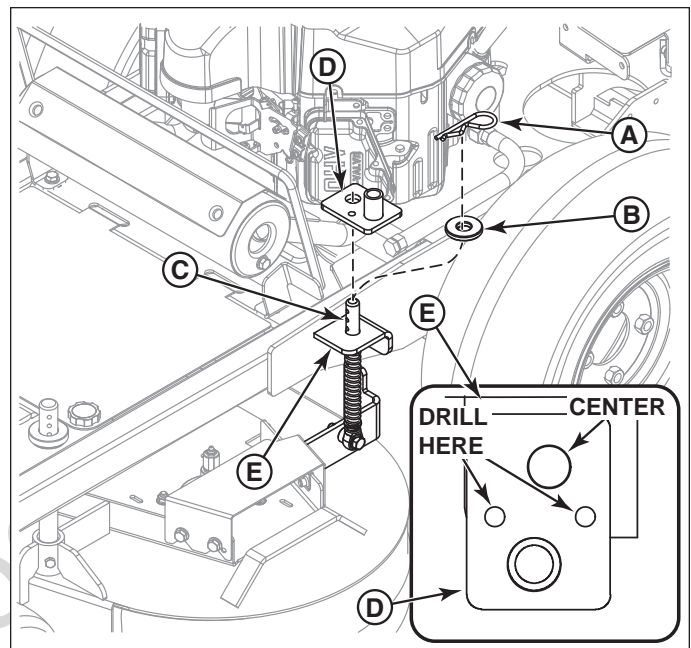


Figure 1. Drilling the Holes in the Deck Mount Plate

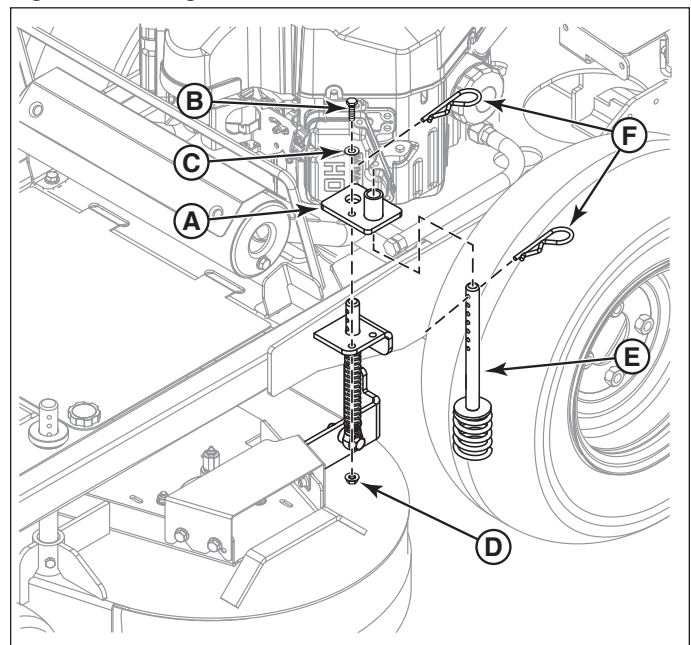


Figure 2. Installing the Counter Balance Kit

8. Install the hair pin (F) into the spring and shaft assembly beneath the deck stop plate. It is installed in the first hole from the top of the spring and shaft assembly.
9. Re-install the hair pin (F) into the deck lift shaft. It should be installed in the first hole from the top of the deck lift shaft.

If the deck height adjustment is changed, all five (5) hair pins must be installed in same hole as counted down from the top of their respective shafts.

Not for
Reproduction