

Installation Instructions

Weight Bracket Kit

Part No. 5600971

Fits Ferris FW35 and Snapper Pro SW35

Kit Contents					
Part No.	Qty.	Description	Part No.	Qty.	Description
541547A	1	Weld, Weight Bracket, W35 - Blk	5416029A	1	Plate, Backer, W35 Weight Mount - Blk
5025146X16	4	Bolt, 3/8-16 X 2, Carriage, GD5, CZ	5025394	4	Nut, 3/8-16 Hex Nylock Flange
5025456	1	Pin, Clevis, 1/2 X 4-1/2, Plated	5025210	1	Pin, Hair, .0915 X 1-7/8
1700000	1	Weight-Quick Attach 33 lbs - Blk			

⚠ WARNING



Remove the ignition key prior to performing maintenance on the unit.

Before beginning any service work turn off the PTO, engage the parking brake, turn off the ignition, remove the ignition key, and disconnect the spark plug wire(s).

WEIGHT INSTALLATION

These instructions detail the procedure for installing the front weight onto the walk behind mower.

1. Temporarily remove the four (4) knobs (A, Figure 1) and the center deck guard (B) from the walk behind mower.
2. Center the weight bracket (C) on the front cross rail of the walk behind mower. The top lip of the weight bracket rests on the cross rail.
3. Install the four (4) 3/8" X 2 carriage bolts (D) through the weight bracket and the backing plate (E) and secure with four (4) 3/8 hex nylock flange nuts (F).
4. Install the weight (G) into the weight mount.
5. Install the 1/2" X 4-1/2" clevis pin (H) through the weight mount and the weight to lock the weight in place.
6. Install the hair pin (I) into the clevis pin to lock it in place.
7. Re-install the center deck guard and secure with the four (4) knobs.

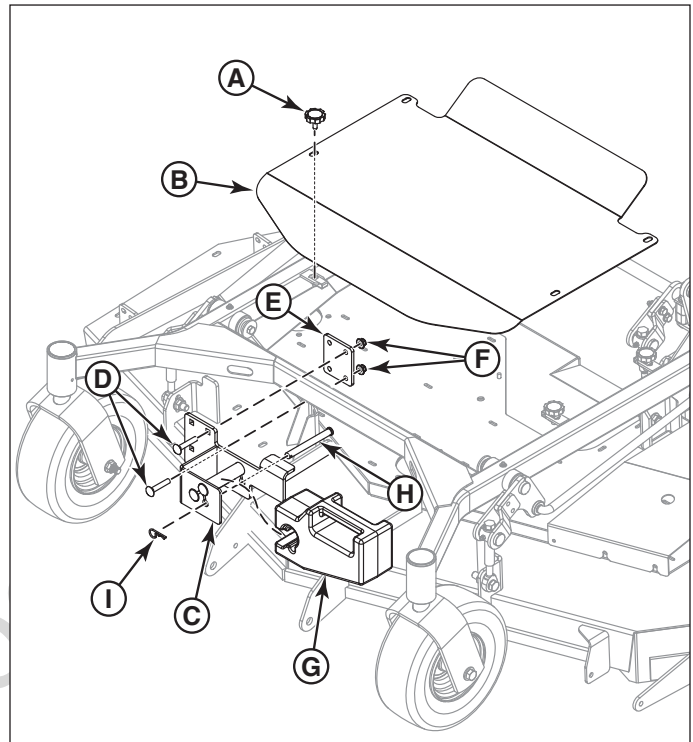


Figure 1. Weight Installation