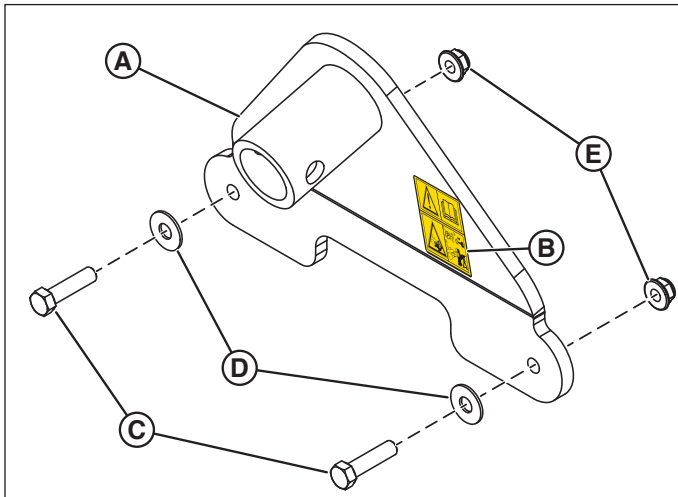


# Installation Instructions

## Service Jack Mount Kits

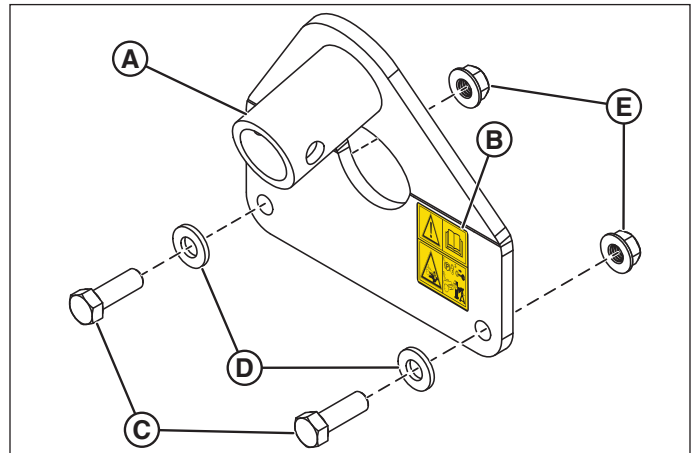
Part No. 5601077, 5601078 & 5601235

### 5601077 - Kit, Mount, Service Jack 10"



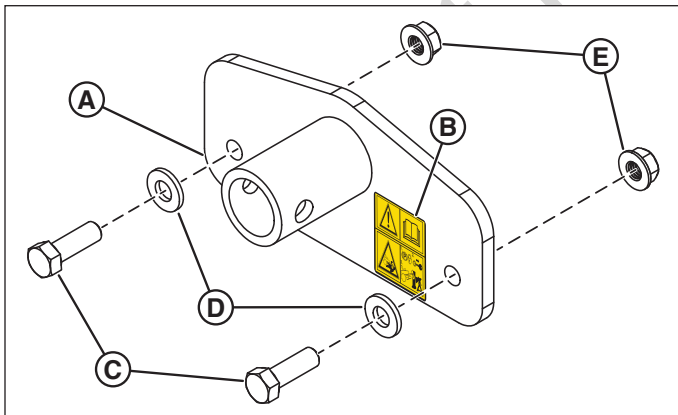
Callout	P/N	Description	Qty
A	5416710A	Weld, Jack Plate, 10"	1
B	5105632	Decal, Warnings, SVC Jack	1
C	5025013X12	Bolt, 3/8-16 X 1-1/2"	2
D	5025401	Washer, 3/8 USS	2
E	5025394	Nut, 3/8-16 Hex Nylock Flange	2

### 5601078 - Kit, Mount, Service Jack 7.25"



Callout	P/N	Description	Qty
A	5416711A	Weld, Jack Plate, 7.25"	1
B	5105632	Decal, Warnings, SVC Jack	1
C	5025017X12	Bolt, 1/2-13 X 1-1/2"	2
D	5025440	Washer, 1/2 GD9	2
E	5025396	Nut, 1/2-13 Hex Nylock Flange	2

### 5601235 - Kit, Mount, Service Jack 7.25", 2200/3300



Callout	P/N	Description	Qty
A	5419941AA	Weld, Jack Plate, 7.25", 2200/3300	1
B	5105632	Decal, Warnings, SVC Jack	1
C	5025017X12	Bolt, 1/2-13 X 1-1/2"	2
D	5025440	Washer, 1/2 GD9	2
E	5025396	Nut, 1/2-13 Hex Nylock Flange	2

**Important Note:** This kit is intended to be used with Service Jack Kit. If you are installing a mount kit on a zero-turn rider with a 72" mower deck you will also need a Service Jack Extension Sleeve.

### Safety Icons



**Part Number:** 5105632 - Decal, Warnings, SVC Jack

**1.) Warning - Read the Operator's Manual.**

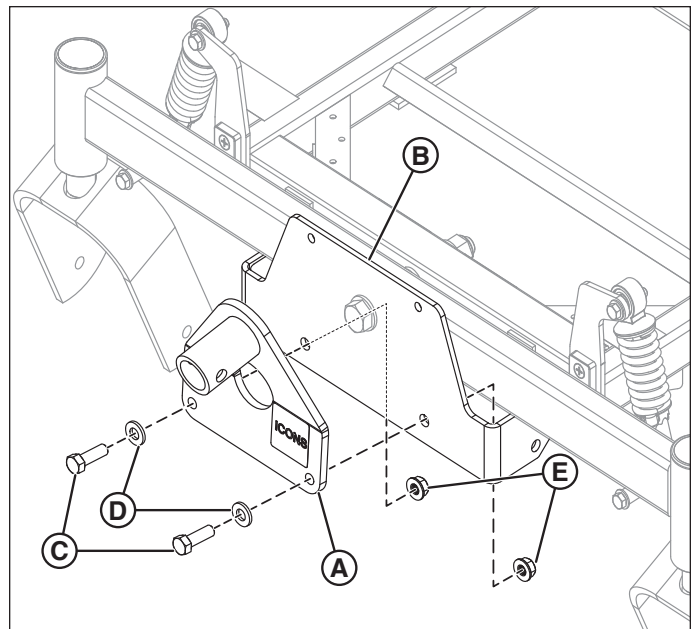
**2.) Crushing Hazard, Mower:** (1.) Park machine on flat level ground and engage the parking brake; (2.) Stop the engine and remove the ignition key; (3.) Properly jack the machine and secure with jack stands before working under the machine.

## Installing the Jack Mount Plate



Before beginning any service work turn off the PTO, engage the parking brake, turn off the ignition, remove the ignition key, and disconnect the spark plug wire(s).

1. Park the machine on a flat, level surface such as a concrete floor. Engage the parking brake, disengage the PTO, turn the ignition switch to OFF, and remove the ignition key.
2. Install the jack plate (**A, Figure 1**) to the front plate (**B**) of the zero-turn rider's frame using two (2) bolts (**C**), washers (**D**), and nuts (**E**) through the existing holes.



**Figure 1. Installing the Jack Plate (5601078 Kit Shown, 5601077 and 5601235 are similar)**

Not for  
Reproduction