

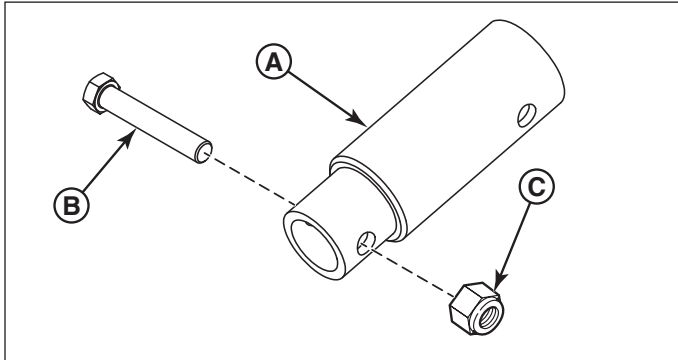
# Installation Instructions

## Service Jack Extension Sleeve

Part No. 5601079

For Models with 72" Mower Decks

5601079 - Kit, Extension Sleeve, Service Jack



Callout	P/N	Description	Qty
A	5105581A	Extension Sleeve	1
B	5025641	Bolt, 9/16-12 X 3-1/4" GD5	1
C	5025642	Nut, 9/16-12 Nylock	1

*Important Note: This kit is intended to be used with Service Jack Kit and Jack Mount Kit.*

### Safety Icons



Part Number: 5105632 - Decal, Warnings, SVC Jack

1.) **Warning - Read the Operator's Manual.**

2.) **Crushing Hazard, Mower:** (1.) Park machine on flat level ground and engage the parking brake; (2.) Stop the engine and remove the ignition key; (3.) Properly jack the machine and secure with jack stands before working under the machine.

### Installing the Extension Sleeve to the Jack



Before beginning any service work turn off the PTO, engage the parking brake, turn off the ignition, remove the ignition key, and disconnect the spark plug wire(s).

1. Park the machine on a flat, level surface such as a concrete floor. Engage the parking brake, disengage the PTO, turn the ignition switch to OFF, and remove the ignition key.
2. Install the extension sleeve (A, Figure 1) onto the jack (B) and secure using the bolt (C) and nut (D).

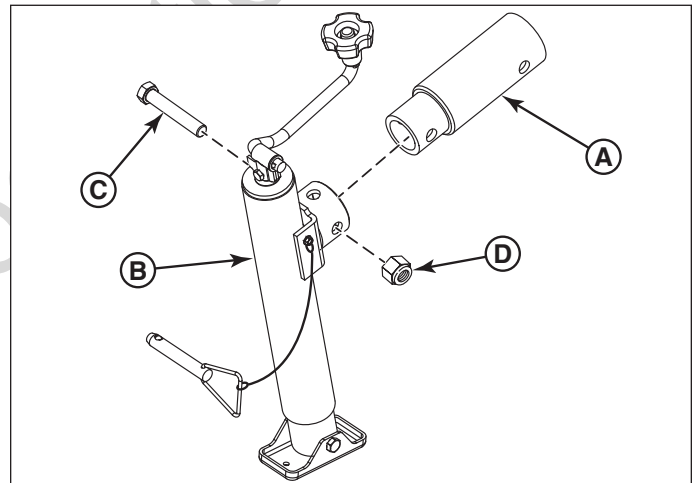


Figure 1. Installing the Extension Sleeve