

# Installation Instructions

## Mulch Kits

Part No. 5601083

Fits Models w/ 48" Mower Decks

Kit Contents					
Part No.	Qty.	Description	Part No.	Qty.	Description
5409069A	1	WELD, RH BAFFLE, MULCH 48	5025394	6	NUT, 3/8-16 HEX NYLOCK FLANGE
5409065A	1	WELD, LH BAFFLE, MULCH 48	80004566	6	BOLT, RD HD SH SQ NK 3/8 X 1 G5 BL
5416888A	1	PLATE, BLOCKOFF, MULCH 48	80005327	4	3/8 PUSH-ON RETAINING WASHER
5105631S	1	BLADE SET, MULCH (Set of 3 Blades)			

### ⚠ WARNING



Remove the ignition key prior to performing maintenance on the unit.

Before beginning any service work turn off the PTO, engage the parking brake, turn off the ignition, remove the ignition key, and disconnect the spark plug wire(s).

## INSTALLING THE MULCH KIT

1. Remove the deflector plate, if equipped.
2. Assemble both baffles and the blockoff plate with 3/8" carriage bolts (A, Figure 1) and retaining washers (B).
3. Install the blockoff plate (A, Figure 2) onto the mower deck. Use a 3/8" nut (B) to secure the front and a 3/8" carriage bolt (C) with 3/8" nut (B) on the rear, going up through the bottom of the mower deck.
4. Install both the LH baffle (A, Figure 2) and RH baffle (B) under the mower deck as shown in Figure 3 and loosely secure them with 3/8" nuts (C).
5. Push the baffles tight up against the front deck ring and tighten down the 3/8" nuts. See Figure 4.
6. Use a 3/8" carriage bolt (A, Figure 4) and 3/8" nut (B) to secure the RH baffle to the blockoff plate.
7. Using your hand, carefully turn the blades one complete rotation to ensure clearance.

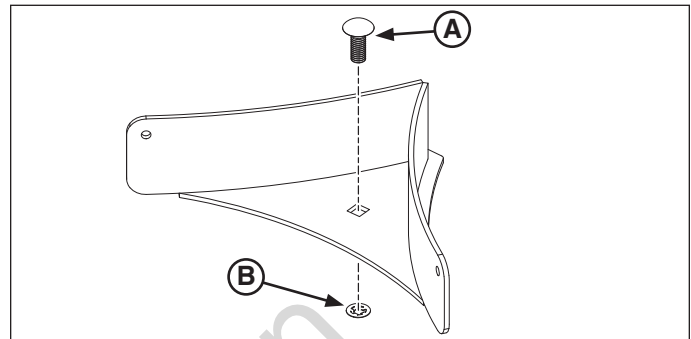


Figure 1. Assembling the Baffles

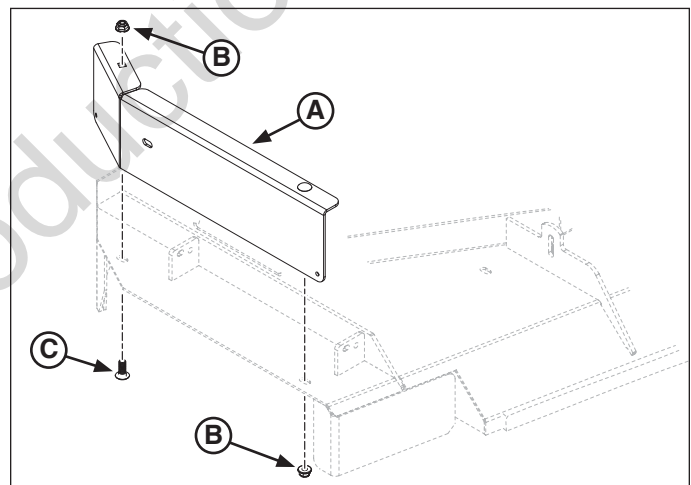


Figure 2. Installing the Blockoff Plate

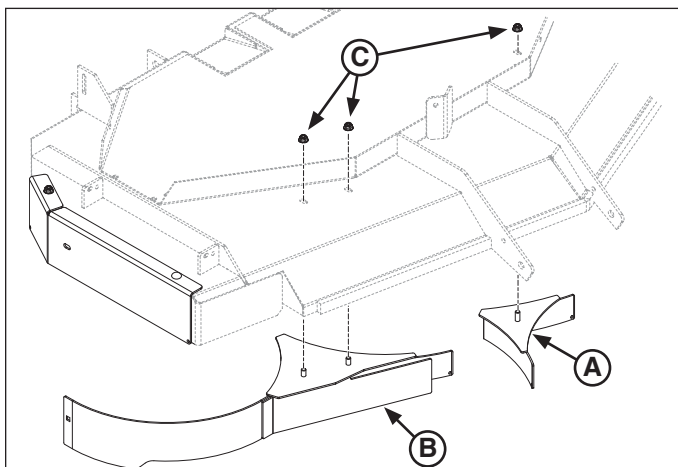


Figure 3. Installing the Baffles

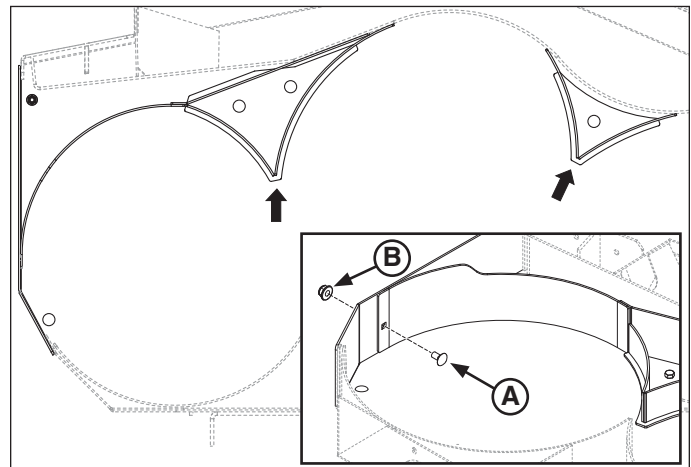
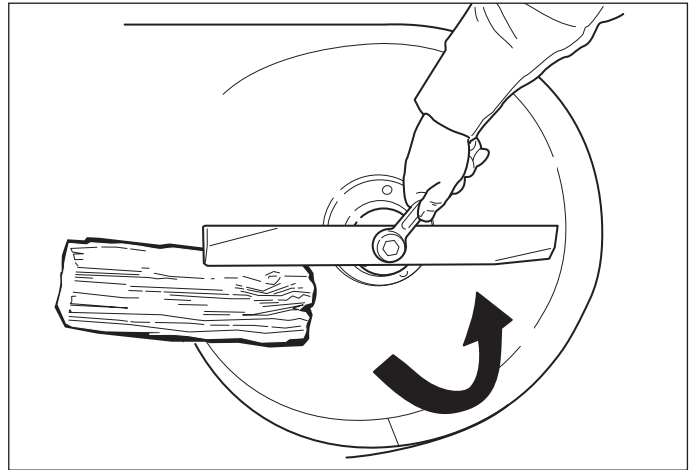


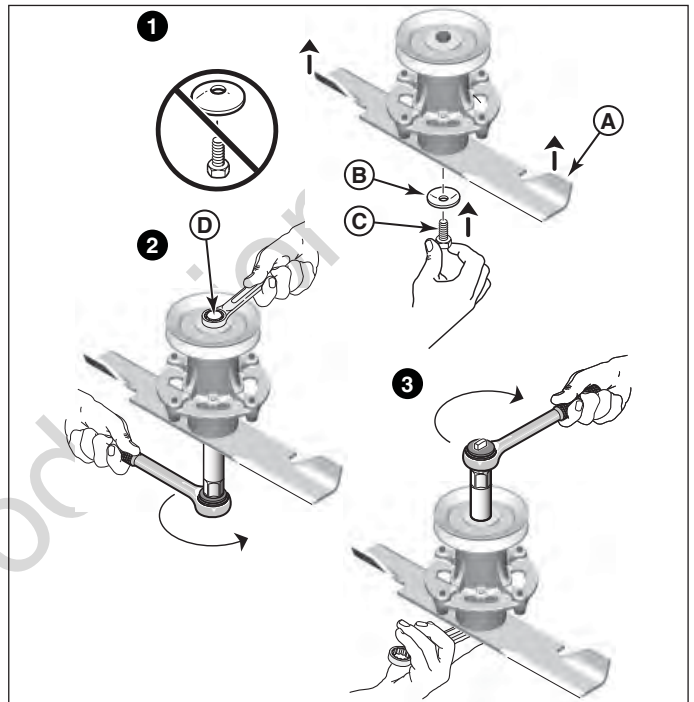
Figure 4. Installing the Baffles

## INSTALLING THE MULCHING BLADES

1. To remove the mower blade, wedge a wooden block between the mower blade and the mower deck housing to keep the blade from turning, then remove the retaining hardware. See **Figure 5**.
2. Reinstall each blade with the airlifts (**A**, **Figure 6**) pointing up towards the mower deck as shown. Install the concave side of the washer (**B**) towards the blade. Install the blade mounting bolt (**C**) hand tight to hold the washer and blade onto the shaft (make sure the blade is fully seated onto the shaft).
3. Tighten the blade mounting bolt to 50 - 60 ft. lbs. (68 - 81 Nm) of torque while holding onto the pulley bolt (**D**) with a wrench.
4. Tighten the pulley bolt to 50 - 60 ft. lbs. (68 - 81 Nm) of torque while holding onto the blade mounting bolt with a wrench.



**Figure 5. Removing the Mower Blades**



**Figure 6. Installing the Mulching Blades**