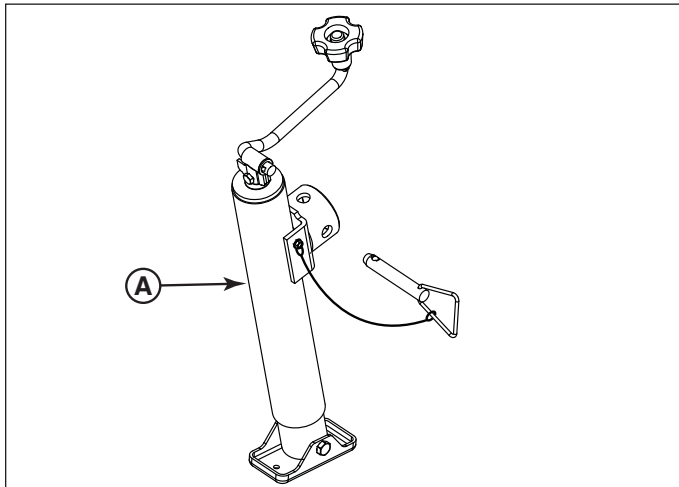


# Installation Instructions

## Service Jack

Part No. 5601080

### 5601080 - Kit, Service Jack



Callout	P/N	Description	Qty
A	5105624	Service Jack	1

### Installing the Service Jack



Before beginning any service work turn off the PTO, engage the parking brake, turn off the ignition, remove the ignition key, and disconnect the spark plug wire(s).

1. Park the machine on a flat, level surface such as a concrete floor. Engage the parking brake, disengage the PTO, turn the ignition switch to OFF, and remove the ignition key.
2. Install the jack (**A, Figure 1**) to the jack mount (**B**) and secure using the jack's hitch pin (**C**).

If the jack is being used on zero-turn rider with a 72" mower deck, the jack's hitch pin is installed through the hole in extension sleeve.

### Using the Service Jack

1. Chock the rear wheels of the zero-turn rider to prevent movement.
2. Make sure that the parking brake is engaged and then rotate the jack's handle **clockwise** to raise the unit.
3. Place jack stands underneath the machine to secure the zero-turn rider while it is raised off of the ground.
4. After completing work on the machine, remove the jack stands from underneath it, and rotate the jack's handle **counter-clockwise** to lower the unit.
5. Remove the jack's hitch pin and remove the jack from the zero-turn rider. Remove the chocks from the rear wheels.

*Important Note: This kit is intended to be used with a Jack Mount Kit. If you are installing a jack kit on a zero-turn rider with a 72" mower deck you will also need a Service Jack Extension Sleeve Kit.*

### Safety Icons



Part Number: 5105632 - Decal, Warnings, SVC Jack

1.) Warning - Read the Operator's Manual.

2.) Crushing Hazard, Mower: (1.) Park machine on flat level ground and engage the parking brake; (2.) Stop the engine and remove the ignition key; (3.) Properly jack the machine and secure with jack stands before working under the machine.

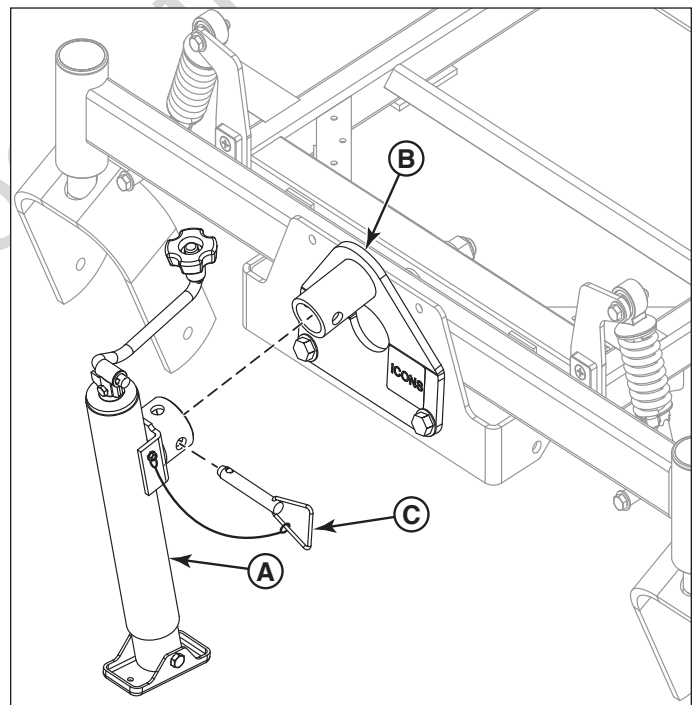


Figure 1. Installing the Jack