

Installation Instructions

Oil Drain Kit

Part No. 5601233

Fits FW15 and SW15 Models

Kit Contents		
Part No.	Qty.	Description
5108122	1	Oil Drain Hose

⚠ WARNING

Before beginning any service work release the blade engagement lever to stop the blades and move the throttle control and engine shut down lever to the OFF position to stop the engine.

When you remove the oil drain cap from the engine to install the new oil drain hose it will drain all the engine oil from the engine. It is recommended that you coordinate the installation of the oil drain hose with an engine oil change to the unit.

1. Warm the engine by running the unit for a few minutes. (Refer to the the engine operator's manual for oil and filter replacement instructions).
2. Drive the unit to a flat, level surface such as a concrete floor and release the blade engagement lever to stop the blades and move the throttle control and engine shut down lever to the OFF position to stop the engine.
3. Place a small pan as close as possible to the oil drain cap (**A, Figure 1**). Place several cloths underneath the oil drain cap to catch the oil.
4. Using the appropriate tools, remove the oil drain cap from the engine and drain the engine oil.
5. After the oil from the engine is drained wipe up any spilled oil. Dispose of the used oil and cloths appropriately.
6. Install the oil drain hose (**B**) into the engine. Route the hose into the storage clamp (**C**).
7. Remove the engine oil dipstick (**D**) and add engine oil (refer to the engine operator's manual) in the fill tube (**E**). Check the amount of oil in the engine using the engine oil dipstick.
8. Wipe up any spilled oil.

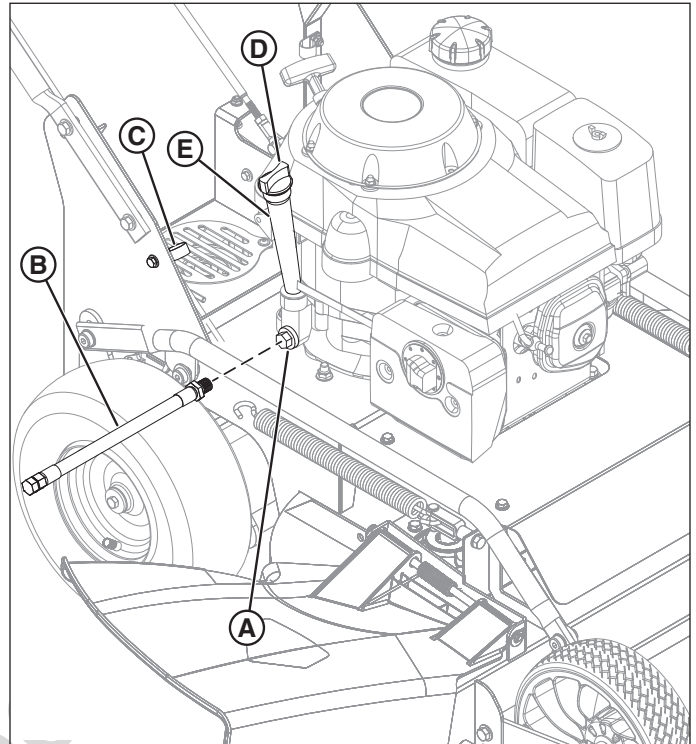


Figure 1. Installing the Engine Oil Dipstick