

Installation Instructions

LED Light Kit

Part No. 5601148

Fits Ferris 400S and Snapper Pro S40 Models

Kit Contents:			
	Part No.:	Qty:	Description
A	1759996	1	Wiring Harness
B	1716951	1	Headlight Switch
C	5021029	5	Self-Locking Tie
D	5417573	2	Headlight
E	5419110A	1	Light Mount
F	5025394	2	3/8-18 Hex Nylock Flange Nut

WARNING

Before beginning any service work turn off the PTO, engage the parking brake, turn off the ignition, remove the ignition key, and disconnect the spark plug wire(s).

Installing the Headlight Kit

1. Park the machine on a flat, level surface such as a concrete floor. Engage the parking brake, disengage the PTO, turn the ignition switch to OFF, and remove the ignition key.
2. Remove the three (3) screws (A, Figure 2) from the control panel (B).
3. Remove the control panel from the fender.
4. Remove the hole plug (C) and O-ring (D) from the control panel.
5. Put the light switch (E) into the control panel.
6. The wire connectors that attach to the light switch are part of the machine's main wire harness. They are the two purple wires and they are secured to the branch of the main wire harness with a self-locking tie. Cut the self-locking tie.
7. Connect the wire connectors to the light switch. Wire position does not matter.
8. Put the control panel into the fender and secure using the three (3) screws.

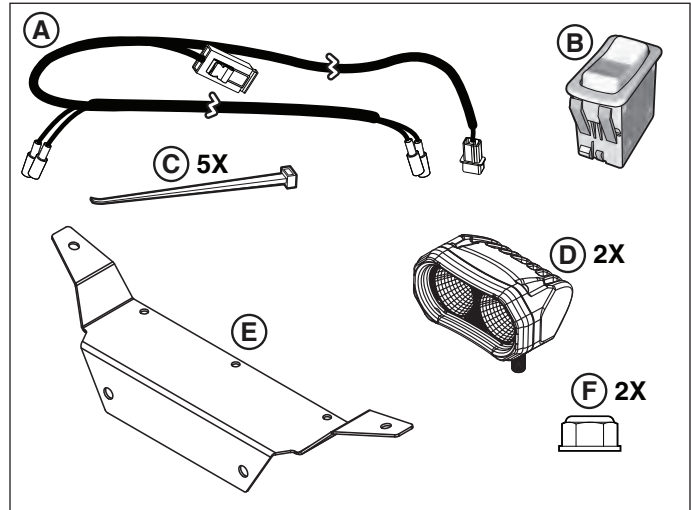


Figure 1. Kit Contents

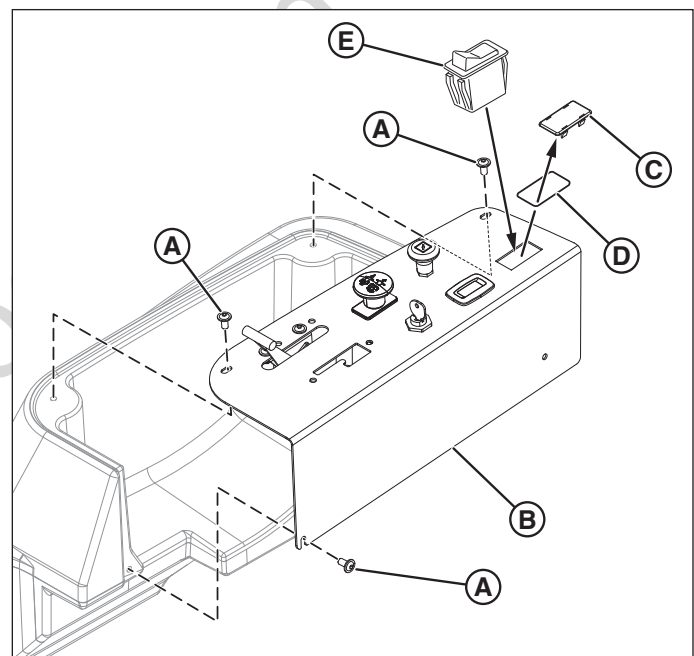


Figure 2. Removing the Hole Plug

9. Remove the two (2) 3/8 screws (**A**, **Figure 3**) and the two (2) 3/8 nuts (**B**) from the foot rest (**C**) and the foot rest bracket (**D**).

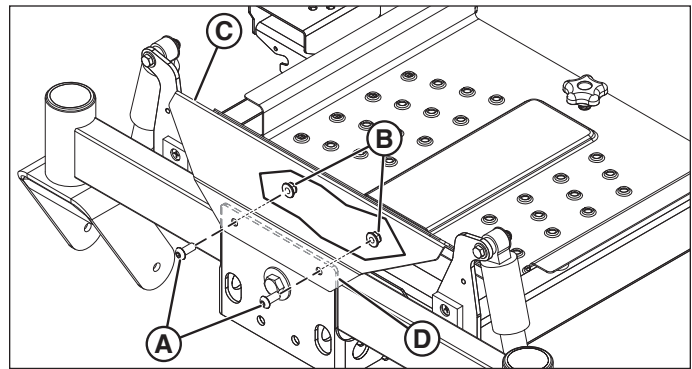


Figure 3. Remove Floor Pan Hardware

10. Put the light mount (**A**, **Figure 4**) between the foot rest (**B**) and the foot rest bracket (**C**) and secure in place using the existing 3/8 screws (**D**) and two new 3/8 nuts (**E**).

NOTE: The light mount can be slid into place from the side of the machine to put it behind the foot rest.

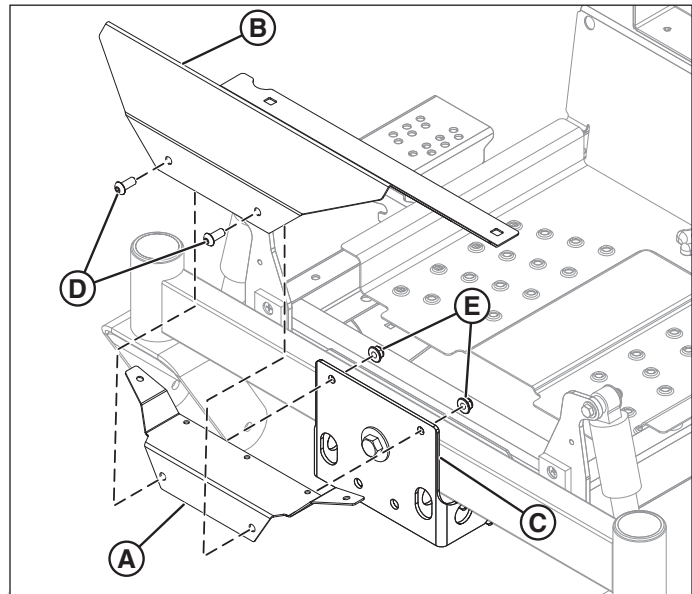


Figure 4. Installing the Mounting Plate (Foot Rest Pulled Away from Unit for Clarity of Image)

11. Remove the nuts (**A**, **Figure 5**) from the light bulb assemblies (**B**).
12. Install the light bulb into the light mount (**C**) and secure using the nuts previously removed.
13. Remove the knob (**D**), tilt the floor plate up (**E**), and remove it from the unit.

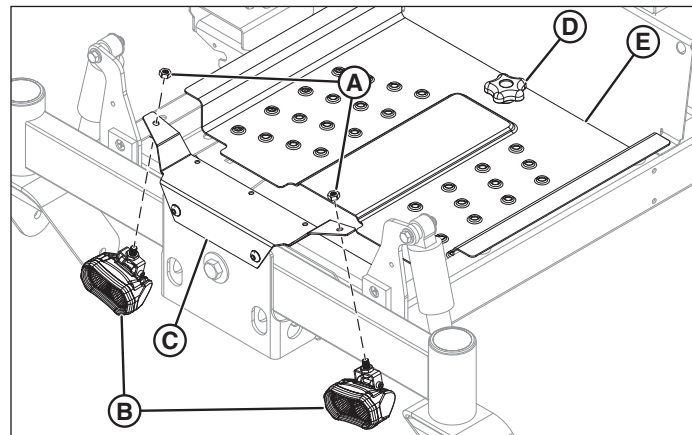


Figure 5. Installing the Light Bulbs (Foot Rest not shown for clarity of image.)

14. Put the wire harness (**A**, **Figure 6**) in the machine.

- The wire harness lays in the C-channel of the right hand frame rail with the plug connector (**B**) towards the rear of the machine, and the bullet connectors (**C** & **D**) towards the front
- Clip the fuse holder (**E**) to the top edge of the frame rail.
- The machine's auxiliary connection plug (**F**) is part of the machine's main wire harness. This connection plug is secure to the branch of the main wire harness with a self-locking tie (**G**). Cut the self-locking tie.
- Connect the plug connector of the light kit wire harness (**B**) to the machine's auxiliary connection plug (**F**). Secure the connectors to the frame of the unit using a self-locking tie (**G**). The self-locking tie is installed in the hole identified as "H" and the opening around the unused battery tray.
- Connect the first set of bullet connectors (**C**) to the left hand headlight wires (**I**), matching red to red and black to black.
- Connect the second set of bullet connectors (**D**) to the right hand headlight wires (**J**), matching red to red and black to black.

15. Use three self-locking ties to secure headlight wires to the light mount using the holes marked as "K".

16. Use a self-locking tie to secure the wire harness to the frame support in the position shown as "L".

17. Re-install the floor plate and secure with the knob.

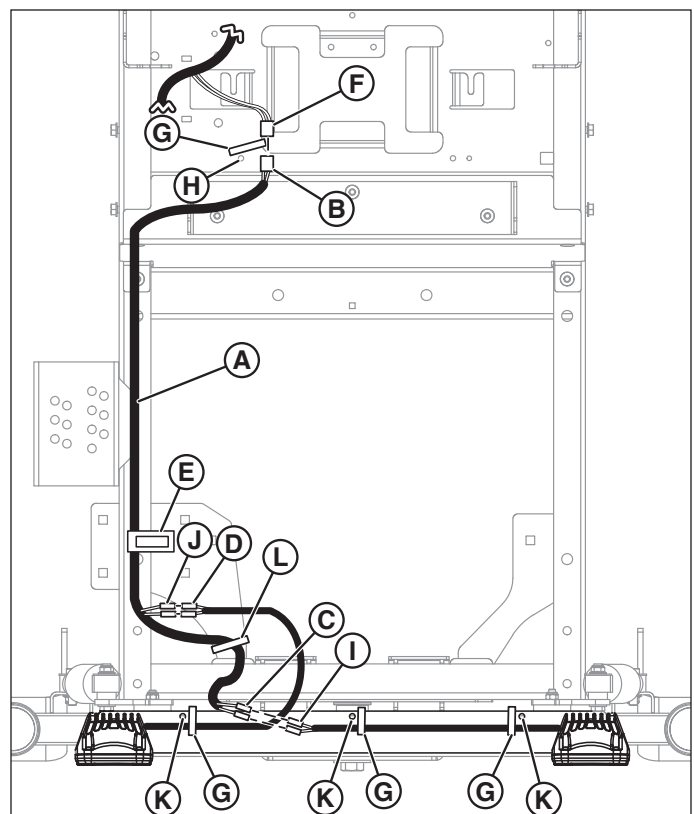


Figure 6. Install the Wire Harness (Machine depicted with components hidden for clarity)