

Installation Instructions

Front Bumper Accessory Kit

Part No. 5601152

Fits IS3200Z Models

Kit Contents					
Part No.	Qty.	Description	Part No.	Qty.	Description
5418731A	1	WELD, FRONT BUMPER, 3200 MDNT	5025394	4	NUT, 3/8-16 HEX NYLOCK FLANGE
5025654	8	BOLT, CARRIAGE 1/4-20X3/4 GR 5 ZNCOAT BLK	5025156	4	WASHER 3/8" SAE
5418728B	2	PLATE, BACKSPLASH, 3200 MDNT	5025013X8	4	BOLT, 3/8-16, GD5 CZ
5418727A	2	PLATE, LIGHT TAB, 3200 MDNT	5418803	1	PLATE, WIRE CHANNEL, 3200 BUMPER
5418729A	1	PLATE, COVER, 3200 MDNT	5045404	1	SPACER, .32 X .75 X 1.06
5418730B	1	PLATE, BACKSPLASH COVER, 3200 MDNT	5418829	1	WIRE HARNESS, HEADLIGHT, IS3200 BUMPER
5022308	2	CLIP, BODY, 5/16-18 FOR 7 GA.	5417573	2	LED HEADLIGHT
5025391	8	NUT, 1/4-20 HEX NYLOCK FLANGE	5025011X20	1	BOLT, 5/16-18, GD5 CZ
5102581	2	SPACER, .33 X .63 X .50, YZ	5025155	1	WASHER, 5/16" SAE
5025011X10	2	BOLT, 5/16-18, GD5 CZ	5025392	1	NUT, 5/16-18 HEX NYLOCK FLANGE
5025292	2	WASHER, 5/16 F436 FLAT	5022222	1	RING, SWITCH, RETAINER
1703799	1	SWITCH HEADLIGHT			

⚠ WARNING



Remove the ignition key prior to performing maintenance on the unit.

Before beginning any service work turn off the PTO, engage the parking brake, turn off the ignition, remove the ignition key, and disconnect the spark plug wire(s).

Installing the Front Bumper

1. Park the machine on a flat, level surface such as a concrete floor. Engage the parking brake, disengage the PTO switch, turn the ignition switch to OFF, and remove the ignition key.
2. Remove the instrument control panel from the right side fuel tank.
3. Remove the plug (A, Figure 1) from the instrument control panel.
4. Install the head light switch (B) into the control panel and use the retainer (C) to hold it into place.

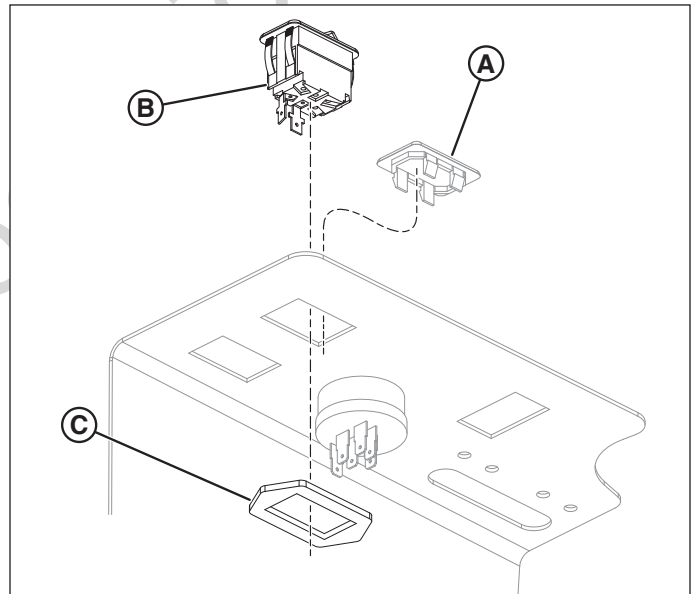


Figure 1. Installing the Light Switch

5. Remove the knob (A, Figure 2) and floor plate (B) from the machine.
6. Remove the nut and carriage bolt from the frame cross rail (C).
7. Install the wire carrier (D) and 1.06" long spacer (E) beneath the frame cross rail using a 5/16-18 X 2-1/2" fully threaded bolt (F), 5/16" washer (G), and a new 5/16-18 nylock flange nut (H).
8. Install the front bumper assembly (A, Figure 3) onto the unit using four (4) 3/8-16 X 1" bolts (B), 3/8 washers (C), and 3/8-16 nylock flange nuts (D).
9. Make the connection between the two (2) female leads on the headlight wire harness and the headlight switch (A, Figure 4).
10. Check your unit to see if there is a connection between the main harness terminal "A" (B) of the ignition switch (C).

NOTE: If terminal "A" is open on the ignition switch please skip to Step 12.

11. If there is a connection (D), disconnect the female lead on the main wire harness and connect it to the male lead of the headlight harness (E).
12. Make the connection between the female lead on the headlight wire harness and terminal "A" on the ignition switch (F).
13. The remaining ground lead on the headlight wire harness should be connected to the negative terminal on the battery.

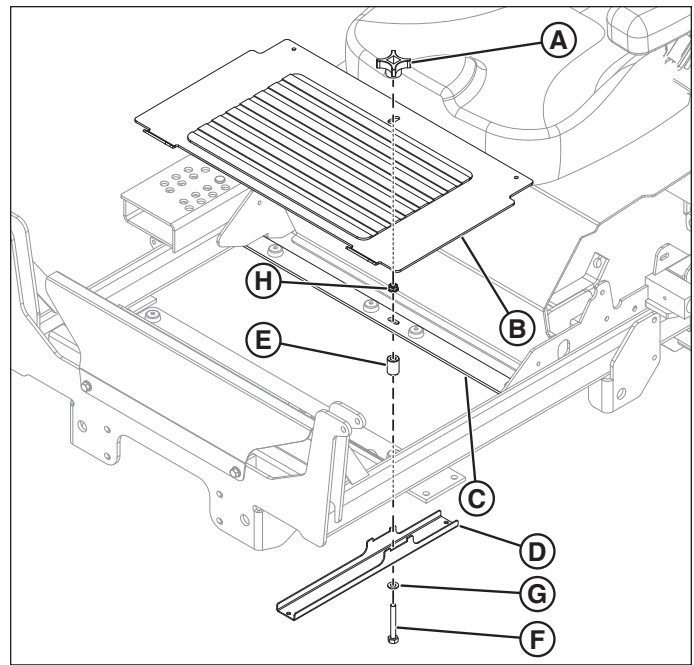


Figure 2. Installing the Wire Carrier

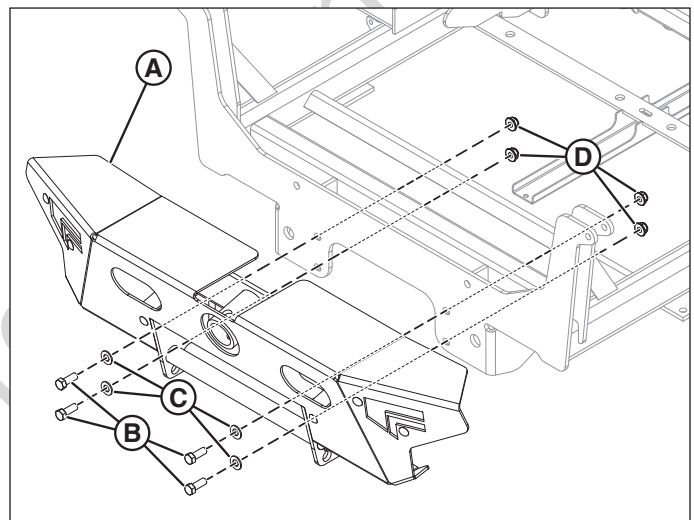


Figure 3. Install the Front Bumper Assembly

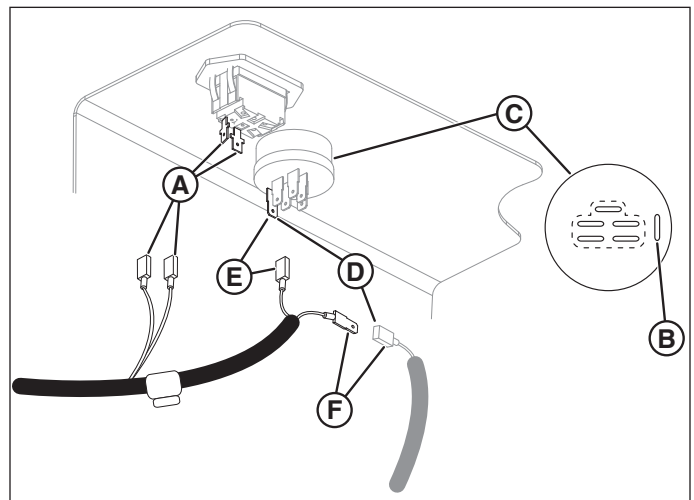


Figure 4. Instrument Control Panel Connection Points

14. Place the wire harness (A, Figure 5) into the wire channel (B).
15. Connect the female leads of the wire harness (C) to the male leads of the headlight switches (D).
16. Use wire ties to secure the wire harness at both ends of the wire channel. Wire tie the harness where necessary to keep it away from any moving parts that it could become entangled in.
17. Install the floor plate and knob.
18. Install the front plate (A, Figure 6) into the front bumper (B) using two (2) 5/16-18 X 1-1/4" bolts (C), 5/16 Gr.9 washers (D), and .50" long spacers (E).

Adjusting the Headlight

The height and angle of the headlight can be adjusted to the operator's preference.

1. To adjust the height of the headlight, loosen the mounting hardware for the head light mounting bracket (A, Figure 7) and slide the bracket up or down to the desired height, and then tighten the bracket mounting hardware.
2. To adjust the angle of the headlight, loosen the hardware (B) that connects the headlight to the headlight bracket, tilt the headlight to the desired angle, and then tighten the hardware.

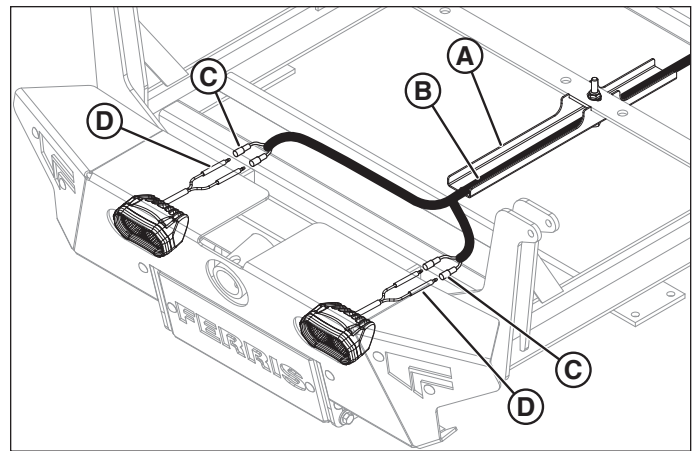


Figure 5. Headlight Connection Points

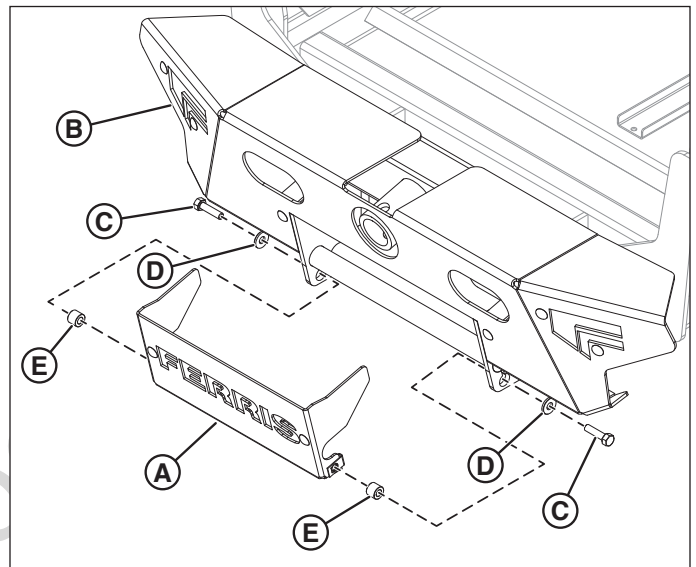


Figure 6. Install the Front Plate

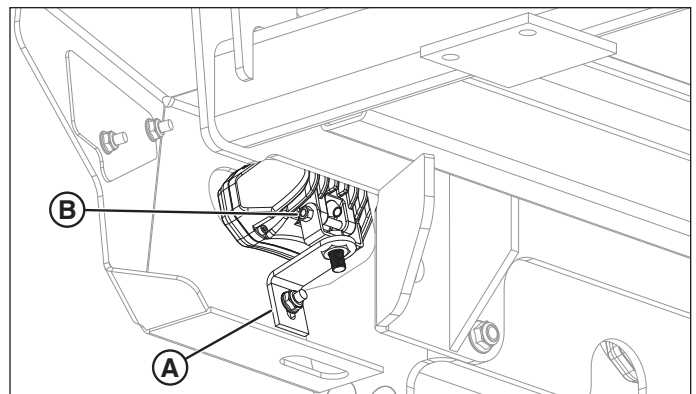


Figure 7. Adjusting the Headlight