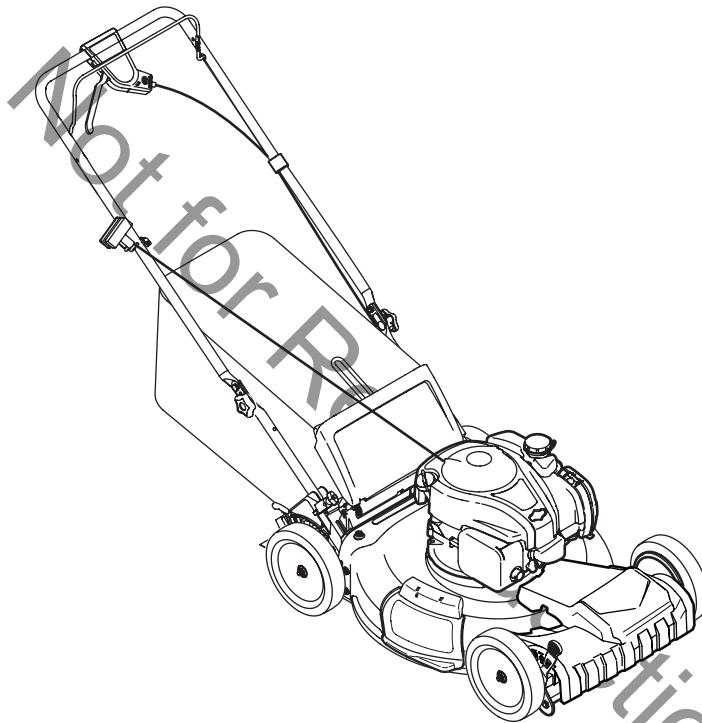




# ILLUSTRATED PARTS MANUAL



**Self Propelled Mower - 12BVB2A2707**

---

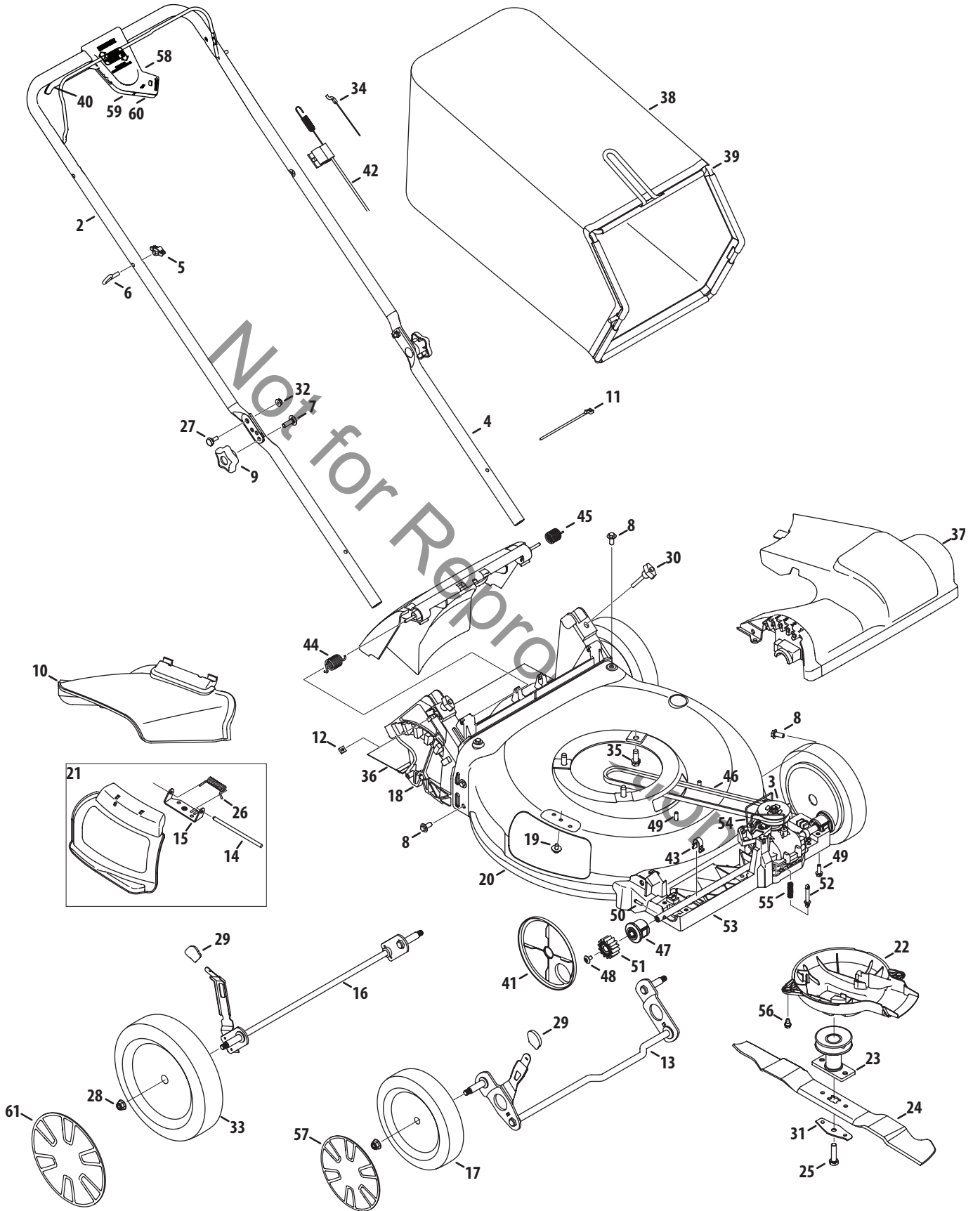
Briggs & Stratton Power Products Group, LLC • 12301 West Wirth St. • Wauwatosa • WI 53222

---



Form No. 769-19530  
(November 30, 2018)

# Model 12BVB2A2707



Ref. No.	Part No.	Description
1	931-05291	Operator Squeeze Bail
2	749-04679	Upper Handle
3	918-04881C	Transmission
4	749-04608A-0637	Lower Handle
5	720-0279	Wing Nut
6	710-1205	Rope Guide
7	710-04998	Carriage Screw ,5/16-18
8	710-04995A	Screw, 5/16-14 x .750
9	720-04072A	Hand Knob
10	731-07131	Side Chute
11	725-0157	Cable Tie
12	712-04222	Nut, Sq., 1/4-20
13	911-04150	Front Axle Assembly
14	747-0710A	Hinge Pin
15	787-01779	Chute Deflector Bracket
16	911-04142A	Rear Axle Assembly
17	634-05040	Wheel, 8 x 2
18	631-04369A	Rear Door Assembly
19	710-05073	Screw, 1/4-20 x .500
20	787-01872C	Deck - 21"
21	987-02516A	Hinged Mulch Plug Assembly
22	931-04535B	Engine Baffle
23	687-02539	Blade Adapter
24	942-0741A	Mulching Blade
25	710-1044	Screw , 3/8-24 x 1.50
26	732-1014C	Torsion Spring
27	738-04419A	Sldr. Screw, .375 x .126 x 1/4-20
28	712-04217	Flange Lock Nut, 3/8-16
29	720-04130	Adjustment Lever Knob
30	720-05066A	Wing Knob
31	736-0524B	Blade Bell Support

Ref. No.	Part No.	Description
32	712-04064	Nut, Flange Lock, 1/4-20
33	634-05062	Wheel Assembly (11 x 2)
34	946-04661A	Control Cable
35	710-04683C	TT Screw, 3/8-16 x 1.0
36	731-07203	Trail shield
37	731-09353A	Front Cover
38	964-05010A	Grass Bag
39	647-04271	Frame
40	731-09369	Self Propelled Lever
41	731-07240A	Dust Cover
42	946-04655A	Variable Speed Cable
43	787-01793	Clip
44	732-05061A	Torsion Spring - RH
45	732-05062A	Torsion Spring - LH
46	954-04259A	Belt
47	941-00019	Bearing Assembly
48	710-04531	Screw, 1/4-20 x .390
49	710-0895	Screw, 1/4-15 x .750
50	715-04099	Pin
51	917-04801	Spur Gear - RH
	917-04802	Spur Gear - LH
52	731-07355	Body, Spr.
53	731-07789	Lower Tray
54	732-04675A	Wire
55	732-04704	Compression Spring
56	738-04502	Screw, Shldr., 1/4-20 x .50
57	731-13539	Hubcap 8"
58	753-06486A	Upper Squeezebox Cover
59	731-07812	Lower Squeezebox Cover
60	710-04793	Screw #10-16 x 1.00
61	731-13540	Hubcap 11"