



- en** *Customer Contact Guide*
- es** *Guía de contacto del cliente*
- fr** *Guide de contacts pour le client*

Not for
Reproduction

Thank You

Thank you for purchasing this quality-built Snapper® product. We are pleased that you have confidence in the Snapper® brand. When operated and maintained according to the manuals, this product will provide many years of dependable service.

The Operator's Manual contains safety information to make you aware of the hazards and risks associated with the unit and how to avoid them. This product was designed to be used as described in the Operator's Manual and is not intended for any other purpose. It is important that you read and thoroughly understand the instructions in the manual before attempting to start, operate, or service the product. **Save these original instructions for future reference.**

This product requires final assembly, which is described in the Setup Instructions. Make sure to follow the instructions completely before use. If you need assistance with assembly, operation, or maintenance of the product, contact your local Authorized Service Dealer or visit snapper.com or call 1-800-317-7833 (in USA only).

Register Your Product

To ensure prompt and complete warranty coverage, register your product on-line at www.onlineproductregistration.com.

Identification Tag

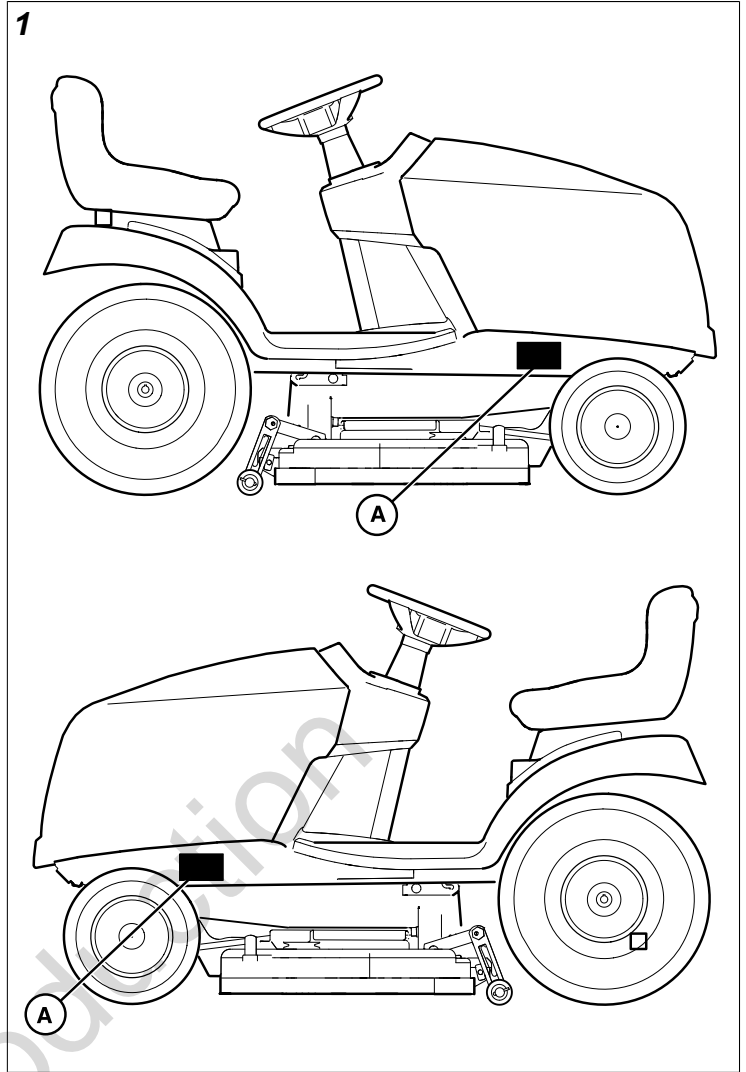
Record the model name/number, manufacturer's identification numbers, and engine serial numbers in the space provided for easy access.

Product Model Number:	
Product Serial Number:	
Engine Model-Type Number:	
Engine Code/Serial Number:	
Date of Purchase:	
Purchase Location:	

When contacting the Authorized Dealer for replacement parts, service, or information you **MUST** have these numbers.

The Illustrated Parts List for this machine can be downloaded from snapper.com. Please provide model and serial number when ordering replacement parts.

For the location of the identification tag (A) refer to the following illustration.



Product Warranty

Warranty Statement

LIMITED WARRANTY

Briggs & Stratton warrants that, during the warranty period specified below, it will repair or replace, free of charge, any part that is defective in material or workmanship or both. Transportation charges on product submitted for repair or replacement under this warranty must be borne by purchaser. This warranty is effective for and is subject to the time periods and conditions stated below. For warranty service, find the nearest Authorized Service Dealer in our dealer locator map at snapper.com.

The purchaser must contact the Authorized Service Dealer, and then make the product available to the Authorized Service Dealer for inspection and testing.

There is no other express warranty. Implied warranties, including those of merchantability and fitness for a particular purpose, are limited to the warranty period listed below, or to the extent permitted by law. Liability for incidental or consequential damages are excluded to the extent exclusion is permitted by law. Some states or countries do not allow limitations on how long an implied warranty lasts, and some states or countries do not allow

the exclusion or limitation of incidental or consequential damages, so the above limitation and exclusion may not apply to you. This warranty gives you specific legal rights and you may also have other rights which vary from state to state or country to country.**

Warranty Period

Item	Consumer Use	Commercial Use
Equipment	36 Months	3 Months
Engine*	36 Months	12 Months
Battery (if equipped)	12 Months	12 Months

* Applies to Briggs & Stratton® engines only. Warranty coverage of non-Briggs & Stratton engines is provided by that engine manufacturer. Emissions-related components are covered by the Emissions Warranty Statement.

** In Australia - Our goods come with guarantees that cannot be excluded under the Australian Consumer Law. You are entitled to a replacement or refund for a major failure and for compensation for any other reasonably foreseeable loss or damage. You are also entitled to have the goods repaired or replaced if the goods fail to be of acceptable quality and the failure does not amount to a major failure. For warranty service, find the nearest Authorized Service Dealer in our dealer locator map at BRIGGSandSTRATTON.COM, or by calling 1300 274 447, or by emailing or writing to salesenquires@briggsandstratton.com.au, Briggs & Stratton Australia Pty Ltd, 1 Moorebank Avenue, NSW, Australia, 2170.

The warranty period begins on the date of purchase by the first retail or commercial consumer. "Consumer use" means personal residential household use by a retail consumer. "Commercial use" means all other uses, including use for commercial, income producing or rental purposes. Once a product has experienced commercial use, it shall thereafter be considered as a commercial use product for purposes of this warranty.

To ensure prompt and complete warranty coverage, register your product at the website shown above or at www.onlineproductregistration.com.

Save your proof of purchase receipt. If you do not provide proof of the initial purchase date at the time warranty service is requested, the manufacturing date of the product will be used to determine the warranty period. Product registration is not required to obtain warranty service on Briggs & Stratton products.

About Your Warranty

Warranty service is available only through Snapper® Authorized Service Dealers. This warranty covers only defects in materials or workmanship. It does not cover damage caused by improper use or abuse, improper maintenance or repair, normal wear and tear, or stale or unapproved fuel.

Improper Use and Abuse - The proper, intended use of this product is described in the Operator's Manual. Using

the product in a way not described in the Operator's Manual or using the product after it has been damaged will not be covered under this warranty. Warranty coverage will also not be provided if the serial number on the product has been removed or the product has been altered or modified in any way, or if the product has evidence of abuse such as impact damage or water/chemical corrosion damage.

Improper Maintenance or Repair - This product must be maintained according to the procedures and schedules provided in the Operator's Manual, and serviced or repaired using genuine Briggs & Stratton parts or equivalent. Damage caused by lack of maintenance or use of non-original parts is not covered by warranty.

Normal Wear and Tear - Like most mechanical devices, your unit is subject to wear even when properly maintained. This warranty does not cover repairs when normal use has exhausted the life of a part or the equipment. Maintenance and wear items such as filters, belts, cutting blades, and brake pads (except engine brake pads) are not covered by warranty due to wear characteristics alone, unless the cause is due to defects in material or workmanship.

Stale or Unapproved Fuel - In order to function correctly, this product requires fresh fuel that conforms to the criteria specified in the Operator's Manual. Engine or equipment damage caused by stale fuel or the use of unapproved fuels (such as E15 or E85 ethanol blends) is not covered by warranty.

Other Exclusions - This warranty excludes damage due to accident, abuse, modifications, alterations, improper servicing, freezing or chemical deterioration. Attachments or accessories that were not originally packaged with the product are also excluded. There is no warranty coverage on equipment used for primary power in place of utility power or on equipment used in life support applications. This warranty does not include used, reconditioned, second-hand, or demonstration equipment or engines. This warranty also excludes failures due to acts of God and other force majeure events beyond the manufacturer's control.

80015795 (Rev -)

Briggs & Stratton Emissions Warranty

California, U.S. EPA, and Briggs & Stratton Corporation Emissions Control Warranty - Your Warranty Rights and Obligations

For Briggs & Stratton Engine Models with "B" or "G" Trim Designation (Model-Type-Trim Representation xxxxxx xxxx Bx or xxxxxx xxxx Gx)

The California Air Resources Board, U.S. EPA, and Briggs & Stratton (B&S) are pleased to explain the exhaust emissions ("emissions") control system warranty on your 2019-2021 engine. In California, new small off-road engines and large spark ignited engines less than or equal to 1.0 liter must be designed, built, and equipped to meet the State's stringent anti-smog standards. B&S must warrant the emissions control system on your engine for the periods of time

listed below provided there has been no abuse, neglect or improper maintenance of your small off-road engine or equipment leading to the failure of the emissions control system.

Your emissions control system may include parts such as the carburetor or fuel-injection system, the ignition system, catalytic converter, fuel tanks, fuel lines (for liquid fuel and fuel vapors), fuel caps, valves, canisters, filters, clamps and other associated components. Also included may be hoses, belts, connectors, and other emission-related assemblies.

Where a warrantable condition exists, B&S will repair your engine at no cost to you including diagnosis, parts, and labor.

Manufacturer's Warranty Coverage:

The exhaust emissions control system on your engine is warranted for two years. If any emissions-related part on your engine is defective, the part will be repaired or replaced by B&S.

Owner's Warranty Responsibilities:

- As the engine owner, you are responsible for the performance of the required maintenance listed in your owner's manual. B&S recommends that you retain all receipts covering maintenance on your engine, but B&S cannot deny warranty coverage solely for the lack of receipts or for your failure to ensure the performance of all scheduled maintenance.
- As the engine owner, you should however be aware that B&S may deny you warranty coverage if your engine or a part has failed due to abuse, neglect, or improper maintenance or unapproved modifications.
- You are responsible for presenting your engine to a B&S distribution center or service center as soon as the problem exists. The warranty repairs shall be completed in a reasonable amount of time, not to exceed 30 days. If you have a question regarding your warranty rights and responsibilities, you should contact B&S at 1-800-444-7774 (in USA) or BRIGGSandSTRATTON.COM.

Briggs & Stratton Emissions Control Warranty Provisions

The following are specific provisions relative to your Emissions Control Warranty Coverage. It is in addition to the B&S engine warranty for non-regulated engines found in the Operator's Manual.

1. Warranted Emissions Parts

Coverage under this warranty extends only to the parts listed below (the emissions control systems parts) to the extent these parts were present on the B&S engine.

a. Fuel Metering System

- Cold start enrichment system (soft choke)
- Carburetor or fuel injection system
- Oxygen sensor
- Electronic control unit
- Fuel pump module

b. Air Induction System

- Air cleaner
- Intake manifold

c. Ignition System

- Spark plug(s)
- Magneto ignition system

d. Catalyst System

- Catalytic converter
- Exhaust manifold
- Air injection system or pulse valve

e. Miscellaneous Items Used in Above Systems

- Vacuum, temperature, position, time sensitive valves and switches
- Connectors and assemblies
- Electronic controls

2. Length of Coverage

Coverage is for a period of two years from the date of delivery to an ultimate purchaser, or for the time period listed in the respective engine or product warranty statement, whichever is greater. B&S warrants to the original purchaser and each subsequent purchaser that the engine is designed, built, and equipped so as to conform with all applicable regulations adopted by the Air Resources Board; that it is free from defects in material and workmanship that could cause the failure of a warranted part; and that it is identical in all material respects to the engine described in the manufacturer's application for certification. The warranty period begins on the date the engine or equipment is delivered to an ultimate purchaser.

The warranty on emissions-related parts is as follows:

- Any warranted part that is not scheduled for replacement as required maintenance in the Operator's Manual supplied, is warranted for the warranty period stated above. If any such part fails during the period of warranty coverage, the part will be repaired or replaced by B&S at no charge to the owner. Any such part repaired or replaced under the warranty will be warranted for the remaining warranty period.
- Any warranted part that is scheduled only for regular inspection in the Operator's Manual supplied, is warranted for the warranty period stated above. Any such part repaired or replaced under warranty will be warranted for the remaining warranty period.
- Any warranted part that is scheduled for replacement as required maintenance in the Operator's Manual supplied, is warranted for the period of time prior to the first scheduled replacement point for that part. If the part fails prior to the first scheduled replacement, the part will be repaired or replaced by B&S at no charge to the owner. Any such part repaired or replaced under warranty will be warranted for the remainder of the

period prior to the first scheduled replacement point for the part.

- Add-on or modified parts that are not exempted by the Air Resources Board may not be used. The use of any non-exempted add-on or modified parts by the owner will be grounds for disallowing a warranty claim. The manufacturer will not be liable to warrant failures of warranted parts caused by the use of a non-exempted add-on or modified part.

3. Consequential Coverage

Coverage shall extend to the failure of any engine components caused by the failure of any warranted emissions parts.

4. Claims and Coverage Exclusions

Warranty claims shall be filed according to the provisions of the B&S engine warranty policy. Warranty coverage does not apply to failures of emissions parts that are not original equipment B&S parts or to parts that fail due to abuse, neglect, or improper maintenance as set forth in the B&S engine warranty policy. B&S is not liable for warranty coverage of failures of emissions parts caused by the use of add-on or modified parts.

Look For Relevant Emissions Durability Period and Air Index Information On Your Small Off-Road Engine Emissions Label

Engines that are certified to meet the California Air Resources Board (CARB) small off-road Emissions Standard must display information regarding the Emissions Durability Period and the Air Index. Briggs & Stratton makes this information available to the consumer on our emissions labels. The engine emissions label will indicate certification information.

The **Emissions Durability Period** describes the number of hours of actual running time for which the engine is certified to be emissions compliant, assuming proper maintenance in accordance with the Operator's Manual. The following categories are used:

Moderate:

Engines at or less than 80 cc displacement are certified to be emissions compliant for 50 hours of actual engine running time. Engines greater than 80 cc displacement are certified to be emissions compliant for 125 hours of actual engine running time.

Intermediate:

Engines at or less than 80 cc displacement are certified to be emissions compliant for 125 hours of actual engine running time. Engines greater than 80 cc displacement are certified to be emissions compliant for 250 hours of actual engine running time.

Extended:

Engines at or less than 80 cc displacement are certified to be emissions compliant for 300 hours of actual engine running time. Engines greater than 80 cc displacement are certified to be emissions compliant for 500 hours of actual engine running time.

For example, a typical walk-behind lawn mower is used 20 to 25 hours per year. Therefore, the **Emissions Durability Period** of an engine with an **intermediate** rating would equate to 10 to 12 years.

Briggs & Stratton engines are certified to meet the United States Environmental Protection Agency (USEPA) Phase 2 or Phase 3 emissions standards. The Emissions Compliance Period referred to on the Emissions Compliance label indicates the number of operating hours for which the engine has been shown to meet Federal emissions requirements.

For engines at or less than 80 cc displacement:

Category C = 50 hours, Category B = 125 hours, Category A = 300 hours

For engines greater than 80 cc displacement and less than 225 cc displacement:

Category C = 125 hours, Category B = 250 hours, Category A = 500 hours

For engines of 225 cc or more displacement:

Category C = 250 hours, Category B = 500 hours, Category A = 1000 hours

80084161_A

Gracias

Gracias por comprar este producto Snapper® de alta calidad. Nos complace que confíe en la marca Snapper®. Si se usa y se le da mantenimiento según las instrucciones en los manuales, este producto le proporcionará muchos años de servicio confiable.

El Manual del operador contiene información de seguridad para que usted conozca los peligros y riesgos propios de la unidad y sepa cómo evitarlos. Este producto está diseñado para utilizarse tal y como se describe en el Manual del operador y no puede usarse para ningún otro fin. Es importante que lea y comprenda perfectamente las instrucciones de este manual antes de intentar arrancar o usar este equipo. Conserve estas instrucciones originales para futuras consultas.

Este producto requiere un montaje final que se describe en las instrucciones de montaje. Asegúrese de seguir completamente las instrucciones antes de usar. Si necesita ayuda con el montaje, la operación o el mantenimiento del producto, comuníquese con su distribuidor de servicio autorizado o visite snapper.com o llame al 1-800-317-7833 (solo en los EE. UU.).

Registre su producto

Con el fin de garantizar la cobertura de la garantía de forma oportuna y completa, registre su producto en línea en www.onlineproductregistration.com.

Etiqueta de identificación

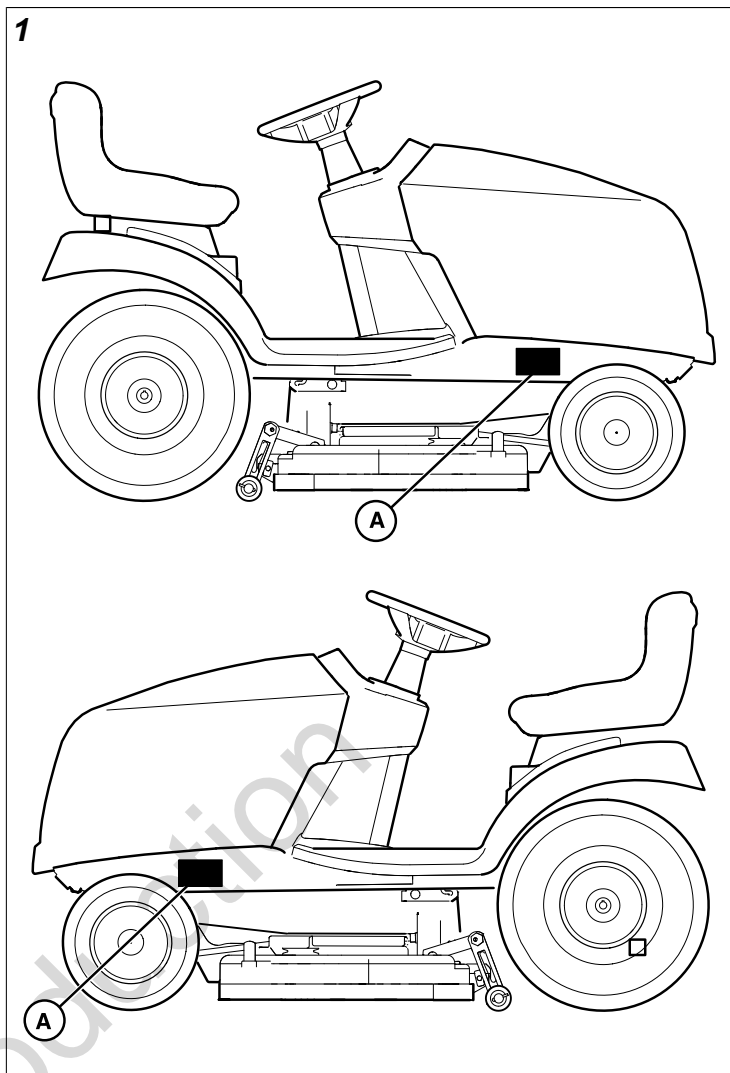
Registre el nombre/número del modelo, los números de identificación del fabricante y los números de serie del motor en el espacio provisto para un fácil acceso.

Número de modelo del producto:	
Número de serie del producto:	
Número de modelo y tipo de motor:	
Número de código/serie del motor:	
Fecha de compra:	
Lugar de compra:	

Cuando se comunique con el distribuidor autorizado para pedir piezas de repuesto, servicio o información, usted DEBE tener estos números.

La lista de piezas ilustradas de esta máquina se puede descargar desde snapper.com. Provea el número de modelo y de serie cuando pida piezas de repuesto.

Para conocer la ubicación de la etiqueta de identificación (A), consulte la siguiente ilustración.



Garantía del producto

Periodo de garantía

Ítem	Uso privado	Uso comercial
Equipo	36 meses	3 meses
Motor*	36 meses	12 meses
Batería (si tuviera)	12 meses	12 meses

* Solo aplicable a los motores Briggs & Stratton®. La cobertura de garantía de motores diferentes a los Briggs and Stratton la suministra el fabricante del motor. Los componentes relacionados con las emisiones se tratan en la Declaración de Garantía sobre las Emisiones.

** En Australia: nuestros productos vienen con garantías que no se pueden excluir en virtud de la Ley australiana de protección al consumidor. Usted tiene derecho a una sustitución o a un reembolso por una avería importante y a compensación por cualquier otra pérdida o daño razonablemente previsible. También tiene derecho a una reparación o sustitución de productos si estos no son de una calidad aceptable y la avería no asciende a una avería más importante. Para recibir servicio de garantía, contacte al distribuidor de servicio autorizado más cercano en nuestro mapa de localización

de distribuidores en BRIGGSandSTRATTON.COM, llame al 1300 274 447, o envíe un correo electrónico a salesenquires@briggsandstratton.com.au o una carta a Briggs & Stratton Australia Pty Ltd, 1 Moorebank Avenue, NSW, Australia, 2170.

El periodo de garantía inicia con la fecha de compra por parte del primer minorista o el comprador final. "Uso privado" significa uso doméstico personal por parte de un consumidor final. "Uso comercial" significa todos los demás usos, incluidos los usos con fines comerciales, de generación de ingresos o alquiler. Una vez que el producto haya sido usado de forma comercial, será considerado a partir de ese momento como un producto de uso comercial para los efectos de esta garantía.

Para asegurar una pronta y completa cobertura de garantía, registre su producto en el sitio web indicado anteriormente o en www.onlineproductregistration.com.

Guarde su recibo de comprobante de compra. Si no aporta un comprobante de la fecha de compra inicial al solicitar el servicio de garantía, se tomará la fecha de fabricación del producto para determinar el período de garantía. No se requiere el registro del producto para obtener el servicio de garantía en los productos de Briggs & Stratton.

Acerca de su garantía

El servicio de garantía solo está disponible a través de los distribuidores de servicio autorizados de Snapper®. Esta garantía solo cubre defectos de materiales o mano de obra. No cubre daños causados por uso indebido o maltrato, mantenimiento o reparación inadecuados, desgaste natural por uso, o el uso de un combustible viciado o inadecuado.

Uso inadecuado y abuso: el uso adecuado, para el cual está diseñado este producto se describe en el Manual del operador. La presente garantía no cubrirá el uso del producto de alguna forma no especificada en el Manual del operador o si este es utilizado después de haberse dañado. Además, no se entregará cobertura por garantía si el número de serie en el producto ha sido retirado o el producto ha sido alterado o modificado de alguna forma o si el producto presenta evidencias de abuso, tales como daño por impacto o daño por agua o corrosión química.

Mantenimiento o reparación inadecuados: el mantenimiento de este producto debe realizarse de acuerdo con los procedimientos y programaciones proporcionados en el Manual del operador y su servicio o reparación deben ser realizados con piezas Briggs & Stratton genuinas o equivalentes. Los daños causados por falta de mantenimiento o uso de piezas no originales no están cubiertos por la garantía.

Desgaste normal: como la mayoría de los dispositivos mecánicos, su unidad está sujeta a desgaste, inclusive con el mantenimiento adecuado. Esta garantía no cubre las reparaciones cuando el uso regular ha agotado la vida útil del equipo o de alguna de sus piezas. La garantía no cubre los artículos fungibles y que requieren reparación como los filtros, las correas, cuchillas y pastillas de freno (a excepción de las pastillas del motor) solamente por razones

de desgaste, a menos que existan defectos de material o de mano de obra.

Combustible en mal estado o no aprobado: para funcionar correctamente, este producto requiere combustible nuevo que cumpla con los criterios especificados en el Manual del operador. El motor o los equipos dañados a causa de combustible en mal estado o por el uso de combustibles no aprobados (como las mezclas de etanol E15 o E85) no están cubiertos por la garantía.

Otras exclusiones: esta garantía excluye los daños debido a accidentes, abusos, modificaciones, alteraciones, mantenimiento indebido, deterioro por congelamiento o químico. Se excluyen también los aditamentos o accesorios que no venían embalados con el producto. No existe la cobertura de garantía cuando el equipo es utilizado con una fuente primaria eléctrica en lugar de la red de servicios públicos, o un equipo empleado para el mantenimiento de las funciones vitales. Esta garantía no incluye a equipos o motores usados, reacondicionados, de segunda mano o para demostración. Esta garantía también excluye las fallas debido a hechos fortuitos y a otros acontecimientos de fuerza mayor que escapan al control del fabricante.

80015795EN (Rev. -)

Garantía de emisiones de Briggs & Stratton

Garantía sobre control de emisiones de California, EPA de EE. UU. y Briggs & Stratton Corporation - Sus derechos y obligaciones bajo la garantía Para Modelos de Motor Briggs & Stratton con Designación de Reglaje "B" o "G" (Modelo-Tipo-Representación de Reglaje xxxxxx xxxx Bx o xxxxxx xxxx Gx)

La Junta de Recursos del Aire de California, la EPA de EE. UU. y Briggs & Stratton (B&S) se complacen en explicar la garantía del sistema de control de emisiones de escape ("emisiones") de su motor modelo 2019-2021. En California, los nuevos motores pequeños todo terreno y los grandes motores de encendido por chispa de 1.0 litro o menos deben estar designados, construidos y equipados conforme a las estrictas normas estatales contra la contaminación. B&S debe garantizar el sistema de control de emisiones de su motor durante los períodos que se indican a continuación, siempre que no haya habido maltrato, negligencia o mantenimiento indebido de su motor pequeño todo terreno o equipo que da como resultado la falla del sistema de control de emisiones.

Su sistema de control de emisiones puede incluir piezas como el carburador o el sistema de inyección de combustible, el sistema de ignición, el convertidor catalítico, los tanques de combustible, las líneas de combustible (para combustible líquido y vapores de combustible), tapas de combustible, válvulas, cámaras, filtros, abrazaderas y otros componentes asociados. También puede incluir mangueras, correas, conectores y otros conjuntos relacionados con el sistema de control de emisiones.

Cuando exista una condición sujeta a garantía, B&S reparará su motor sin cargo para usted, lo que incluye diagnóstico, piezas y mano de obra.

Cobertura de la garantía del fabricante:

El sistema de control de emisiones de escape en su motor tiene una garantía de dos años. Si alguna pieza relacionada con las emisiones en su motor está defectuosa, la pieza será reparada o reemplazada por B&S.

Responsabilidades del propietario bajo la garantía:

- Como propietario del motor, usted es responsable de llevar a cabo todas las operaciones de mantenimiento necesarias indicadas en el manual del propietario. B&S recomienda conservar todas las facturas relativas al mantenimiento del motor, pero B&S no puede denegar la cobertura de la garantía basándose únicamente en la falta de facturas o en su imposibilidad de asegurar la correcta realización de todas las tareas de mantenimiento programadas.
- Sin embargo, como propietario del motor, usted debe ser consciente de que B&S puede denegar la cobertura de la garantía si su motor o una de sus piezas falla a causa de maltrato, uso negligente, mantenimiento inapropiado o modificaciones no aprobadas.
- Usted es responsable de llevar su motor a un centro de distribución de B&S o centro de servicio, en el momento en que surja un problema. Las reparaciones cubiertas por la garantía se llevarán a cabo en un plazo razonable no superior a 30 días. Si tiene preguntas sobre los derechos y responsabilidades relativos a la garantía, debe ponerse en contacto con B&S llamando al 1-800-444-7774 (en EE. UU.) o visitando el sitio BRIGGSandSTRATTON.COM.

Disposiciones para la garantía sobre control de emisiones de Briggs & Stratton

A continuación se detallan las disposiciones concretas relativas a la cobertura de la garantía del sistema de control de emisiones. Es una adición a la garantía del motor de B&S para los motores no regulados, que se encuentra en el Manual del operador.

1. Piezas de emisiones garantizadas

La cobertura de esta garantía se extiende únicamente a las piezas que se indican a continuación (las piezas de los sistemas de control de emisiones) en la medida en que estas piezas estén presentes en el motor B&S.

a. Sistema de medición de combustible

- Sistema de enriquecimiento para arranque en frío (estrangulador electrónico)
- Carburador o sistema de inyección de combustible
- Sensor de oxígeno
- Unidad de control electrónica
- Módulo de la bomba de combustible

b. Sistema de inducción de aire

- Filtro de aire
- Colector de admisión

c. Sistema de encendido

- Bujía(s)
- Sistema de encendido magnético

d. Sistema catalizador

- Convertidor catalítico
- Colector de escape
- Sistema de inyección de aire o valor de impulso

e. Elementos diversos usados en los sistemas anteriores

- Válvulas e interruptores de vacío, temperatura, posición y sensibles al tiempo
- Conectores y conjuntos
- Controles electrónicos

2. Duración de la cobertura

La cobertura es por un período de dos años a partir de la fecha de entrega a un comprador final o por el período de tiempo que se indica en la declaración de garantía del motor o producto correspondiente, lo que sea más prolongado. B&S garantiza al comprador original y a cada comprador subsiguiente que el motor está diseñado, construido y equipado de acuerdo con todas las normas aplicables adoptadas por la Junta de Recursos del Aire de California; que no tiene defectos en materiales y en mano de obra que puedan causar la falla de una pieza garantizada; y que es idéntico en todos los aspectos materiales al motor descrito en las solicitudes de certificación del fabricante. El período de garantía comienza en la fecha en que el motor o el equipo se envían a un comprador final.

La garantía sobre las piezas relacionadas con las emisiones es la siguiente:

- Todas las piezas cubiertas por la garantía que no se deban sustituir como parte del programa de mantenimiento obligatorio detallado en el Manual del operador entregado quedarán cubiertas por la garantía durante el período especificado anteriormente. Si una de estas piezas falla durante el período de cobertura de la garantía, la pieza será reparada o sustituida por B&S, sin costo alguno para el propietario. Las piezas que se reparen o sustituyan en virtud de la garantía estarán cubiertas por la garantía durante el período de garantía restante.
- Todas las piezas cubiertas por la garantía que solo se deban inspeccionar periódicamente según el Manual del operador entregado quedarán cubiertas por la garantía durante el período de la garantía especificado anteriormente. Cualquier pieza reparada o reemplazada bajo la garantía estará garantizada por lo que reste del período de garantía.
- Las piezas cubiertas por la garantía que se deban sustituir como parte del plan de mantenimiento obligatorio detallado en el Manual del operador entregado quedarán cubiertas por la garantía hasta el momento en que se indique que es necesario

hacer la primera sustitución. Si la pieza falla antes del primer reemplazo programado, la pieza será reparada o sustituida por B&S, sin costo alguno para el propietario. Las piezas que se reparen o sustituyan en virtud de la garantía estarán cubiertas por la garantía durante el período de garantía restante hasta llegar a la fecha de la primera sustitución.

- No se podrán utilizar piezas complementarias o modificadas no exentas por la Junta de Recursos del Aire. El uso por parte del propietario de cualquier pieza adicional o modificada que no esté exenta será causa suficiente para rechazar un reclamo en garantía. El fabricante no será responsable de extender la garantía por fallas de piezas cubiertas por la garantía que se deban al uso de piezas adicionales o modificadas que no estén exentas.

3. Cobertura consecuente

La cobertura se ampliará a los fallos de cualesquier componentes del motor causados por la falla de cualquier pieza garantizada en cuanto a emisiones.

4. Exclusiones de reclamos y cobertura

Las solicitudes de reclamación de garantía se cumplimentarán según las disposiciones de la política de garantía de motores B&S. La cobertura de garantía no se aplica a fallas de piezas de emisiones que no sean piezas originales de los equipos de B&S o a piezas que fallen debido a abuso, negligencia o mantenimiento incorrecto, según lo establecido en la política de garantía de motores de B&S. B&S no es responsable de la cobertura en garantía de fallas de piezas de emisiones causadas por el uso de piezas adicionales o modificadas.

Consulte la información relevante sobre el período de durabilidad de emisiones y el índice de aire en la etiqueta de emisiones de su pequeño motor todo terreno

Los motores con certificación de cumplimiento de la normativa sobre emisiones de la Junta de Recursos del Aire de California (CARB) deben mostrar información sobre el período de durabilidad de las emisiones y el índice de calidad del aire. Briggs & Stratton ofrece esta información al consumidor en las etiquetas de emisiones. La etiqueta de emisiones del motor contiene la información de certificación.

El **período de durabilidad de las emisiones** indica la cantidad de horas durante las cuales el motor puede funcionar cumpliendo las normas sobre emisiones, siempre que se realicen las operaciones de mantenimiento adecuadas de acuerdo con el manual del operador. Se utilizan las siguientes categorías:

Moderada:

Los motores con desplazamiento inferior a 80 cc tienen certificación de conformidad de emisiones por 50 horas del tiempo real de operación. Los motores con desplazamiento superior a 80 cc tienen certificación de conformidad de emisiones por 125 horas del tiempo real de operación.

Intermedia:

Los motores con un desplazamiento de 80 cc o inferior cuentan con certificación de conformidad de emisiones para 125 horas de tiempo de operación efectiva del motor. Los motores con un desplazamiento superior a 80 cc cuentan con certificación de conformidad de emisiones para 250 horas de tiempo de operación efectiva del motor.

Extendida:

Los motores con un desplazamiento de 80 cc o inferior cuentan con certificación de conformidad de emisiones para 300 horas de tiempo de operación efectiva del motor. Los motores con un desplazamiento superior a 80 cc cuentan con certificación de conformidad de emisiones para 500 horas de tiempo de operación efectiva del motor.

Por ejemplo, un cortacésped de empuje típico se suele utilizar entre 20 y 25 horas al año. Por lo tanto, el **período de durabilidad de las emisiones** de un motor con clasificación **intermedia** equivaldría entre 10 y 12 años.

Los motores Briggs & Stratton cuentan con la certificación de cumplimiento de la fase 2 o 3 de las normativas sobre emisiones de la Agencia de Protección del Medioambiente de los Estados Unidos (USEPA). El período de cumplimiento de la normativa sobre emisiones que figura en la etiqueta de cumplimiento de emisiones indica el número de horas de funcionamiento durante las cuales el motor ha demostrado cumplir los requisitos federales sobre emisiones.

Para motores con desplazamiento de 80 cc o menos:

Categoría C = 50 horas, categoría B = 125 horas, categoría A = 300 horas

Para motores con desplazamiento mayor a 80 cc o menor a 225 cc:

Categoría C = 125 horas, categoría B = 250 horas, categoría A = 500 horas

Para motores con desplazamiento de 225 cc o superior:

Categoría C = 250 horas, categoría B = 500 horas, categoría A = 1000 horas

80084161_A

Merci

Nous vous remercions d'avoir acheté ce produit de marque Snapper® de grande qualité. Nous sommes heureux que vous ayez confiance en la marque Snapper®. S'il est utilisé et entretenu selon les instructions des manuels, ce produit vous procurera de nombreuses années de service fiable.

Le manuel d'utilisation contient des renseignements de sécurité pour vous faire connaître les dangers et les risques associés à ce produit ainsi que la façon de les éviter. Ce produit a été conçu pour être utilisé tel que décrit dans le manuel d'utilisation et n'est pas destiné à d'autres fins. Il est important de lire et comprendre parfaitement les instructions de ce manuel avant d'essayer de mettre en marche, de faire fonctionner, ou de réparer le produit. Conservez ces instructions d'origine pour vous y reporter dans le futur.

Ce produit demande un assemblage final, qui est décrit dans les instructions de montage. S'assurer de suivre les instructions au complet avant de l'utiliser. Si vous avez besoin d'aide pour le montage, l'utilisation ou l'entretien de ce produit, veuillez communiquer avec votre fournisseur de service autorisé local ou visiter snapper.com ou appeler 1-800-317-7833 (aux États-Unis seulement).

Enregistrer votre produit

Pour assurer une couverture rapide et complète de la garantie, veuillez enregistrer votre produit en ligne à www.onlineproductregistration.com.

Étiquette d'identification

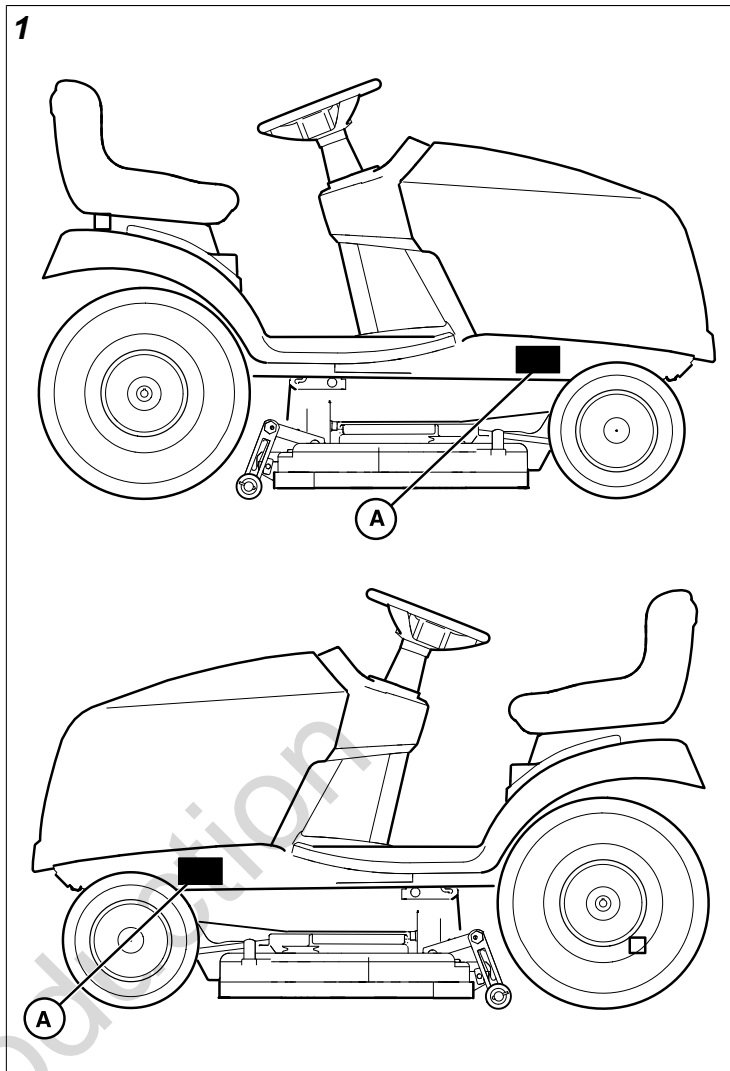
Notez le nom et le numéro du modèle, les numéros d'identification du fabricant et les numéros de série du moteur dans l'espace prévu pour un accès facile.

Numéro du modèle du produit :	
Numéro de série du produit :	
Numéro de modèle-type du moteur :	
Numéro de code / série du moteur :	
Date d'achat :	
Lieu d'achat :	

Lorsque vous communiquez avec le concessionnaire autorisé pour des pièces de rechange, une réparation ou un entretien, ou des renseignements, vous DEVEZ avoir ces numéros avec vous.

La liste des pièces illustrées pour cette machine peut être téléchargée à partir de snapper.com. Veuillez fournir le modèle et le numéro de série au moment de commander les pièces de rechange.

Pour l'emplacement de l'étiquette d'identification (A), se référer à l'illustration suivante.



Garantie du produit

Énoncé de garantie

GARANTIE LIMITÉE

Briggs & Stratton garantit que, pendant la période de couverture de la garantie précisée ci-dessous, elle réparera ou remplacera, sans frais, toute pièce défectueuse comportant un vice de matériau ou un défaut de fabrication ou les deux. En vertu de la présente garantie, les frais de transport du produit soumis pour réparation ou remplacement sont à la charge de l'acheteur. La présente garantie sera en vigueur et soumise aux périodes et conditions stipulées ci-dessous. Pour obtenir des services en vertu de la garantie, veuillez consulter notre Outil de recherche d'un Service après-vente agréé à snapper.com, afin de trouver un distributeur de service après-vente agréé dans votre région.

L'acheteur doit communiquer avec le distributeur de service autorisé et mettre ensuite le produit à disposition du distributeur de service autorisé pour inspection et essai.

Il n'existe aucune autre garantie expresse. Les garanties implicites, incluant les garanties de qualité marchande et d'adaptation à un usage particulier, sont limitées à la période définie dans la garantie citée ci-dessous, ou jusqu'à la limite permise par la loi. La responsabilité

pour dommages accessoires ou indirects est exclue dans la mesure où une telle exclusion est permise par la loi. Certains états/provinces ou pays n'autorisent aucune restriction sur la durée d'une garantie implicite, et certains états/provinces ou pays n'autorisent pas l'exclusion ou la limitation des dommages consécutifs ou indirects. Par conséquent, les restrictions et exclusions décrites ci-dessus pourraient ne pas s'appliquer dans votre cas. La présente garantie vous offre des droits juridiques spécifiques et il se peut que vous ayez d'autres droits qui varient d'une juridiction à une autre, ou de pays à pays.**

Période de garantie

Article	Usage par un consommateur	Usage à des fins commerciales
Équipement	36 mois	3 mois
Moteur*	36 mois	12 mois
Batterie (si équipé)	12 mois	12 mois

* Applicable aux moteurs Briggs & Stratton seulement. La couverture de garantie des moteurs qui ne sont pas fabriqués par Briggs & Stratton est fournie par le fabricant du moteur. Les composants antipollution sont couverts par la Déclaration de garantie concernant le contrôle des émissions.

** En Australie – Nos produits sont livrés avec des garanties qui ne peuvent pas être exclues en vertu de la loi australienne sur la consommation. Vous avez droit à un remplacement ou à un remboursement en cas de défaillance majeure et en compensation pour toute perte ou tout dommage raisonnablement prévisible. Vous avez également droit à la réparation ou au remplacement des produits si ceux-ci ne sont pas de qualité acceptable et que la défaillance n'équivaut pas à une défaillance majeure. Pour obtenir le service sous garantie, recherchez le concessionnaire autorisé le plus proche sur notre carte des détaillants sur le site BRIGGSandSTRATTON.COM, appelez le 1300 274 447 ou encore envoyez un courriel ou une lettre à salesenquires@briggsandstratton.com.au, Briggs & Stratton Australia Pty Ltd, 1 Moorebank Avenue, NSW, Australie, 2170.

La période de garantie débute à la date d'achat par le premier acheteur au détail ou par le premier utilisateur commercial.

« Usage par un consommateur » signifie que le produit sera utilisé par un consommateur au détail dans un but privé.

« Usage commercial » indique toutes les autres utilisations possibles, y compris commerciales, génératrices de revenus ou locatives. Une fois que le produit a été utilisé dans un but commercial, il sera considéré comme d'utilisation commerciale dans le cadre de cette garantie.

Pour obtenir une couverture de garantie complète et rapide, veuillez enregistrer votre produit au site Web indiqué ci-dessus ou à www.onlineproductregistration.com.

Veuillez garder le reçu de votre achat. Si vous ne pouvez pas fournir la preuve de la date initiale de l'achat au moment de faire une demande se rapportant à la garantie, la date de fabrication du produit sera utilisée pour déterminer la période

de garantie. Pour exercer la garantie sur tout produit fabriqué par Briggs & Stratton, il n'est pas nécessaire de l'enregistrer.

À propos de votre garantie

Les services reliés à la garantie sont uniquement disponibles par l'entremise d'un distributeur de service autorisé

Snapper®. Cette garantie couvre uniquement les défauts de matériel et de fabrication. Elle ne couvre pas des dommages causés par une mauvaise utilisation ou par des abus, un mauvais entretien ou une réparation incorrecte, une usure normale ou l'utilisation de carburant éventé ou non approuvé.

Utilisation inadéquate et abus – Une bonne utilisation, tel que prévu, du produit est décrite dans le manuel de l'utilisateur. L'utilisation du produit de façon autre que celle décrite dans le manuel d'utilisation ou son utilisation une fois qu'il est endommagé annulera la garantie. Vous ne pourrez vous prévaloir de la garantie si le numéro de série sur la machine a été supprimé ou si la machine a été modifiée d'une manière quelconque, ou si elle présente des preuves d'abus, tel que par impact, corrosion par l'eau ou par produits chimiques.

Mauvais entretien ou réparation – Cette machine doit être entretenue conformément aux procédures et aux intervalles indiqués dans le manuel d'utilisation, l'entretien et les réparations doivent être effectués avec des pièces d'origine Briggs & Stratton ou équivalentes. Les dommages causés par le manque d'entretien ou l'utilisation de pièces n'étant pas d'origine ne sont pas couverts par la garantie.

Usure normale – Comme la plupart des appareils mécaniques, malgré un bon entretien, le vôtre est sujet à une usure. La présente garantie ne couvre pas les réparations lorsque la durée de vie d'une pièce ou de l'appareil s'est achevée après une utilisation normale. Les articles d'entretien et d'usure, tels que filtres, courroies, lames et plaquettes de frein (les plaquettes de frein du moteur sont couvertes) ne sont pas couverts par la garantie en raison de leur seule usure, à moins qu'ils ne soient sujets à des vices du matériel ou de fabrication.

Carburant éventé ou non autorisé – Afin de fonctionner correctement, ce produit doit être alimenté avec un carburant frais conforme au critère précisé dans le manuel d'utilisation. Les dommages au moteur ou à l'équipement dus à un carburant éventé ou à l'utilisation de carburants non approuvés (comme les mélanges d'éthanol E15 ou E85) ne sont pas couverts par la garantie.

Autres exclusions – La présente garantie exclut les dommages résultant d'un accident, d'une utilisation abusive, de modifications, de changements, d'un entretien inadéquat, du gel ou d'une détérioration chimique. Les accessoires non emballés à l'origine avec le produit sont aussi exclus. La garantie ne couvre pas l'équipement utilisé comme alimentation principale à la place de l'alimentation électrique de secteur ou pour les applications de maintien des fonctions vitales. Cette garantie n'inclut pas les appareils ou les moteurs usagés, réusinés, de seconde main ou de démonstration. Cette garantie exclut toute défaillance due à

une catastrophe naturelle ou à toute autre force majeure hors du contrôle du fabricant.

80015795EN (Rév -)

Garantie d'émissions Briggs & Stratton

Garantie du contrôle des émissions de la Californie, de l'U.S. EPA et de Briggs & Stratton Corporation - Vos droits et obligations en vertu de la garantie Pour modèles de moteurs Briggs & Stratton avec compléments désignés « B » ou « G » (N° de représentation de modèle avec compléments : xxxxxx xxxx Bx ou xxxxxx xxxx Gx)

Le California Air Resources Board, l'U.S. EPA et Briggs & Stratton (B&S) ont le plaisir d'expliquer la garantie du contrôle des émissions (« émissions ») de votre moteur datant des années 2019-2021. En Californie, les nouveaux petits moteurs de V.T.T. et gros moteurs à allumage par bougie de 1,0 litre ou moins doivent être conçus et équipés pour se conformer aux normes antipollution de sévérité établie par l'état. B&S doit garantir le système de contrôle des émissions de ce moteur pendant la durée indiquée ci-dessous sous réserve de l'absence d'abus, de négligence ou de mauvais entretien de ce petit moteur hors route ou de l'équipement entraînant la panne du système de contrôle des émissions.

Votre système de contrôle des émissions peut comprendre des pièces comme le carburateur ou le système d'injection de carburant, le système d'allumage, le convertisseur catalytique, les réservoirs de carburant, les conduites de carburant (pour le carburant liquide et les vapeurs de carburant), les capuchons, les valves, les cartouches, les filtres, les brides et autres composants pertinents. Il peut aussi y avoir des tuyaux, des courroies, des connecteurs et d'autres dispositifs reliés aux émissions.

Dans le cas d'un défaut couvert par la garantie, B&S réparera votre petit moteur hors route/votre matériel sans frais et ce, incluant le diagnostic, les pièces et la main d'œuvre.

Couverture de garantie du fabricant :

Le système de contrôle des émissions sur votre moteur est accompagné d'une garantie de deux ans. Si une pièce reliée aux émissions de votre moteur est défectueuse, B&S la réparera ou la remplacera.

Responsabilités du propriétaire dans le cadre de la garantie :

- En tant que propriétaire du moteur, vous êtes responsable de l'exécution de l'entretien requis indiqué dans le manuel d'utilisation. B&S recommande de conserver tous les reçus en rapport avec l'entretien du moteur; toutefois, BS ne peut refuser la garantie uniquement parce que vous êtes dans l'impossibilité de produire les reçus ou que vous n'avez pas effectué toutes les étapes de l'entretien prévu.
- Néanmoins, vous devez savoir, en tant que propriétaire de moteur, que B&S peut refuser le bénéfice de la

garantie si votre moteur, ou une pièce, est défaillant en raison d'abus, de négligence, d'entretien inadéquat ou de modifications non approuvées.

- Dès qu'un problème survient, vous avez la responsabilité que votre moteur soit examiné à un centre de distribution ou d'entretien B&S. Les réparations couvertes par la garantie seront effectuées dans un délai raisonnable, n'excédant pas 30 jours. Si vous avez une question au sujet de vos droits et responsabilités dans le cadre de la garantie, veuillez communiquer avec un représentant de B&S au 1-800-444-7774 (aux É.-U.) ou BRIGGSandSTRATTON.COM.

Dispositions de la garantie du contrôle d'émissions Briggs & Stratton

Les dispositions qui suivent sont spécifiques à la couverture de garantie du contrôle des émissions. Elle est un ajout à la garantie sur les moteurs de B&S pour les moteurs non régulés, figurant dans le manuel d'utilisation.

1. Pièces d'émissions garanties
La couverture de cette garantie n'englobe que les pièces énumérées ci-dessous (pièces du dispositif antipollution) dans la mesure où ces pièces étaient présentes sur le moteur B&S.
 - a. Système de contrôle d'alimentation en carburant
 - Dispositif d'enrichissement pour démarrage à froid (étrangleur à glissement)
 - Carburateur ou système d'injection de carburant
 - Capteur d'oxygène
 - Commandes électroniques
 - Module de la pompe à carburant
 - b. Circuit d'entrée d'air
 - Filtre à air
 - Collecteur d'admission
 - c. Système d'allumage
 - Bougie(s) d'allumage
 - Système d'allumage à magnéto
 - d. Système de catalyseur
 - Convertisseur catalytique
 - Collecteur d'échappement
 - Système d'injection d'air ou valeur d'impulsions
 - e. Éléments divers utilisés dans les systèmes précédemment mentionnés
 - Soupapes et interrupteurs de dépression, de température, de position, à délai critique
 - Connecteurs et dispositifs
 - Commandes électroniques
2. Durée de la couverture
La couverture est pour une période de deux ans à partir de la date de livraison à l'acheteur original ou pour la durée indiquée à l'énoncé de garantie du produit ou du moteur selon l'éventualité la plus longue. B & S garantit à l'acheteur original et à chaque acquéreur subséquent, que le moteur est conçu, fabriqué, et équipé de manière

à se conformer à toutes les réglementations applicables adoptées par l'Air Resources Board, qu'il est exempt de vices de fabrication et de matériaux qui pourraient causer la défaillance d'une pièce sous garantie, et qu'il est identique à tous égards au moteur décrit dans la demande de certification du fabricant. La période de garantie débute à la date à laquelle le moteur ou l'équipement a été remis à l'acheteur final.

La garantie sur les pièces d'émissions est la suivante :

- Toute pièce couverte par la garantie dont le remplacement n'est pas planifié dans le cadre de l'entretien obligatoire décrit dans le manuel d'utilisation fourni est garantie pendant la période indiquée ci-dessus. Si une telle pièce est défectueuse pendant la période de couverture de la garantie, la pièce sera réparée ou remplacée par B&S sans frais pour le propriétaire. Une telle pièce réparée ou remplacée sous la garantie sera couverte pour la période restante de la garantie.
 - Toute pièce couverte par la garantie dont seul l'examen est planifié dans le manuel d'utilisation fourni est garantie pendant la période indiquée ci-dessus. Cette pièce réparée ou remplacée dans le cadre de la garantie restera garantie pendant la période de garantie restante.
 - Toute pièce couverte par la garantie dont le remplacement fait partie de l'entretien obligatoire dans le manuel d'utilisation est garantie pendant la période précédant le premier point de remplacement prévu pour cette pièce. Si la pièce est défectueuse avant le remplacement prévu, la pièce sera réparée ou remplacée par B&S sans frais pour le propriétaire. Toute pièce réparée ou remplacée en vertu de la garantie sera garantie pendant la durée restante de la période précédant le premier remplacement prévu pour la pièce.
 - Les pièces ajoutées ou modifiées ne faisant pas partie d'une exemption par l'Air Resources Board ne doivent pas être utilisées. L'utilisation de toute pièce ajoutée ou modifiée par le propriétaire sera une raison de refus d'une réclamation sous garantie. Le fabricant n'a pas la responsabilité de garantir les défauts des pièces garanties causées par l'utilisation de pièces ajoutées ou modifiées qui ne font pas partie d'une exemption.
3. Couverture indirecte
La couverture s'étend à toute défaillance de l'un des composants du moteur consécutive à la défectuosité d'une des pièces d'émissions garanties encore couverte par la garantie.
4. Réclamations et exclusions de couverture
Les demandes de compensation sous garantie devront être remplies selon les provisions de la Politique de garantie de Briggs & Stratton. La couverture de garantie ne s'applique pas aux défauts de pièces de contrôle d'émissions qui ne sont pas des pièces d'origine B&S ou pour raison d'abus, de négligence ou d'entretien inadéquat comme stipulé dans la Politique

de garantie du moteur B&S. B&S ne se tiendra pas responsable de la couverture de garantie de pièces de contrôle d'émissions défectueuses en raison d'utilisation de pièce modifiée ou non approuvée.

Rechercher la période de durabilité des émissions et l'indice de pollution atmosphérique sur l'étiquette d'émissions du petit moteur hors route

Les renseignements concernant la période de durabilité des émissions et l'indice de pollution atmosphérique doivent être fournis avec les petits moteurs hors route qui répondent aux normes relatives aux émissions de la California Air Resources Board (CARB). Briggs & Stratton rend cette information disponible aux consommateurs sur les étiquettes des émissions. L'étiquette des émissions du moteur fournit des renseignements sur la certification.

La **période de durabilité des émissions** décrit le nombre d'heures pendant lesquelles le moteur peut fonctionner en respectant les normes relatives aux émissions, en supposant que l'entretien est effectué conformément au Manuel d'utilisation du moteur. Les catégories utilisées sont les suivantes :

Modéré :

Les moteurs de 80 cc de cylindrée et moins peuvent fonctionner pendant 50 heures tout en respectant la norme relative aux émissions. Les moteurs de plus de 80 cc de cylindrée peuvent fonctionner pendant 125 heures tout en respectant la norme relative aux émissions.

Intermédiaire :

Les moteurs de 80 cc de cylindrée et moins peuvent fonctionner pendant 125 heures tout en respectant la norme relative aux émissions. Les moteurs de plus de 80 cc de cylindrée peuvent fonctionner pendant 250 heures tout en respectant la norme relative aux émissions.

Prolongé :

Les moteurs de 80 cc de cylindrée et moins peuvent fonctionner pendant 300 heures tout en respectant la norme relative aux émissions. Les moteurs de plus de 80 cc de cylindrée peuvent fonctionner pendant 500 heures tout en respectant la norme relative aux émissions.

Par exemple, l'utilisation d'une tondeuse poussée est d'environ 20 à 25 heures par année. Donc, la **période de durabilité des émissions** pour un moteur avec un classement **intermédiaire** équivaut de 10 à 12 années.

Les moteurs Briggs & Stratton sont certifiés conformes aux normes de phase 2 ou phase 3 sur les émissions de l'USEPA (United States Environmental Protection Agency). La période de conformité des émissions indiquée sur l'étiquette de conformité des émissions indique le nombre d'heures de fonctionnement pendant lesquelles le moteur a démontré qu'il respectait les exigences fédérales en matière d'émissions.

Pour les moteurs de 80 cc de cylindrée et moins :

Catégorie C = 50 heures, Catégorie B = 125 heures, Catégorie A = 300 heures

Pour les moteurs de plus de 80 cc de cylindrée et moins à 225 cc de cylindrée :

Catégorie C = 125 heures, Catégorie B = 250 heures,
Catégorie A = 500 heures

Pour les moteurs de 225 cc et plus de cylindrée :

Catégorie C = 250 heures, Catégorie B = 500 heures,
Catégorie A = 1 000 heures

80084161_A

Not for
Reproduction

Not for
Reproduction

Not for
Reproduction