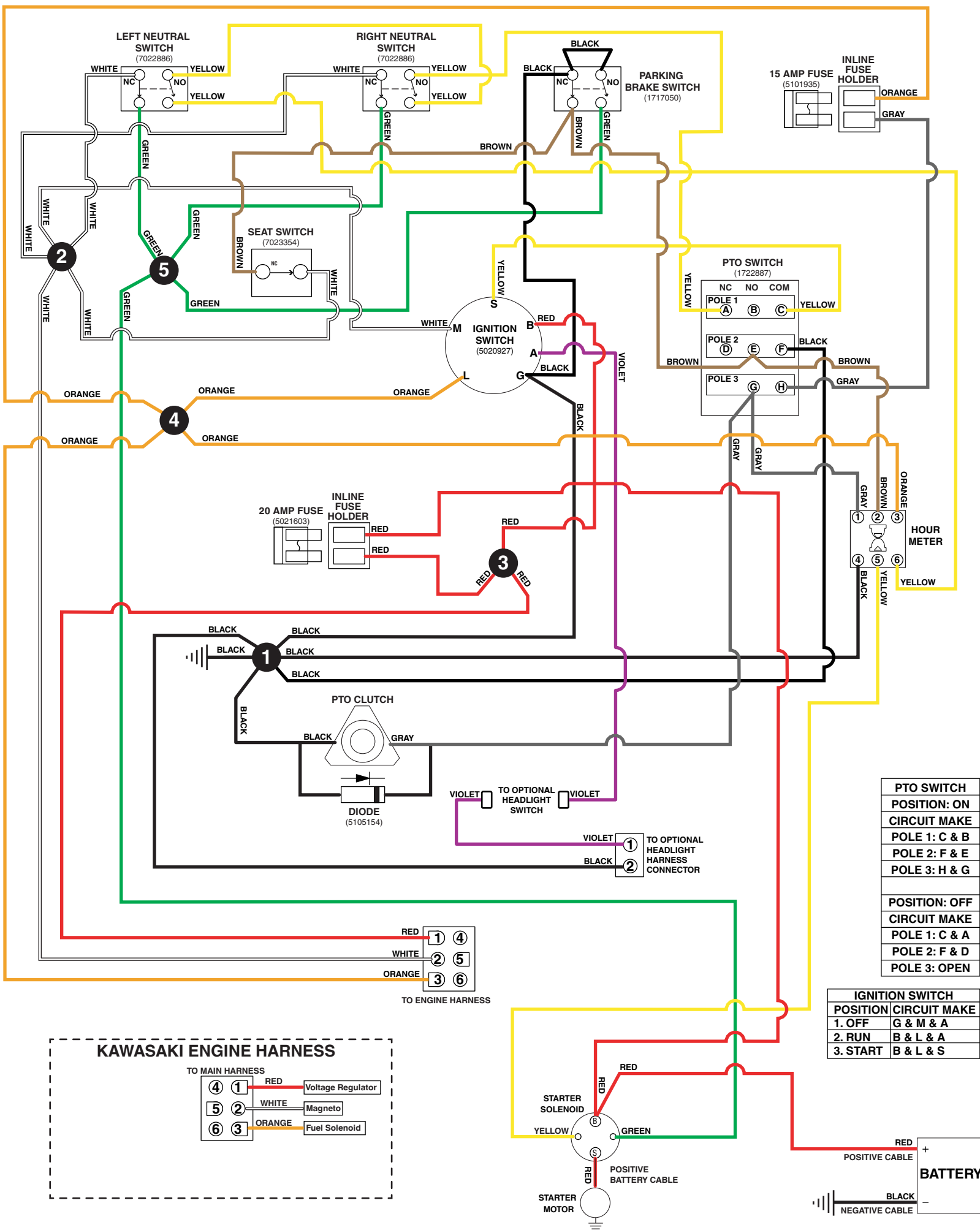


(If internal schematic of the switch is not shown, the image of the switch represents the back view of the connector as it is connected to the switch.)



PTO SWITCH	
POSITION: ON	CIRCUIT MAKE
POLE 1: C & B	
POLE 2: F & E	
POLE 3: H & G	
POSITION: OFF	CIRCUIT MAKE
POLE 1: C & A	
POLE 2: F & D	
POLE 3: OPEN	

IGNITION SWITCH	
POSITION	CIRCUIT MAKE
1. OFF	G & M & A
2. RUN	B & L & A
3. START	B & L & S

