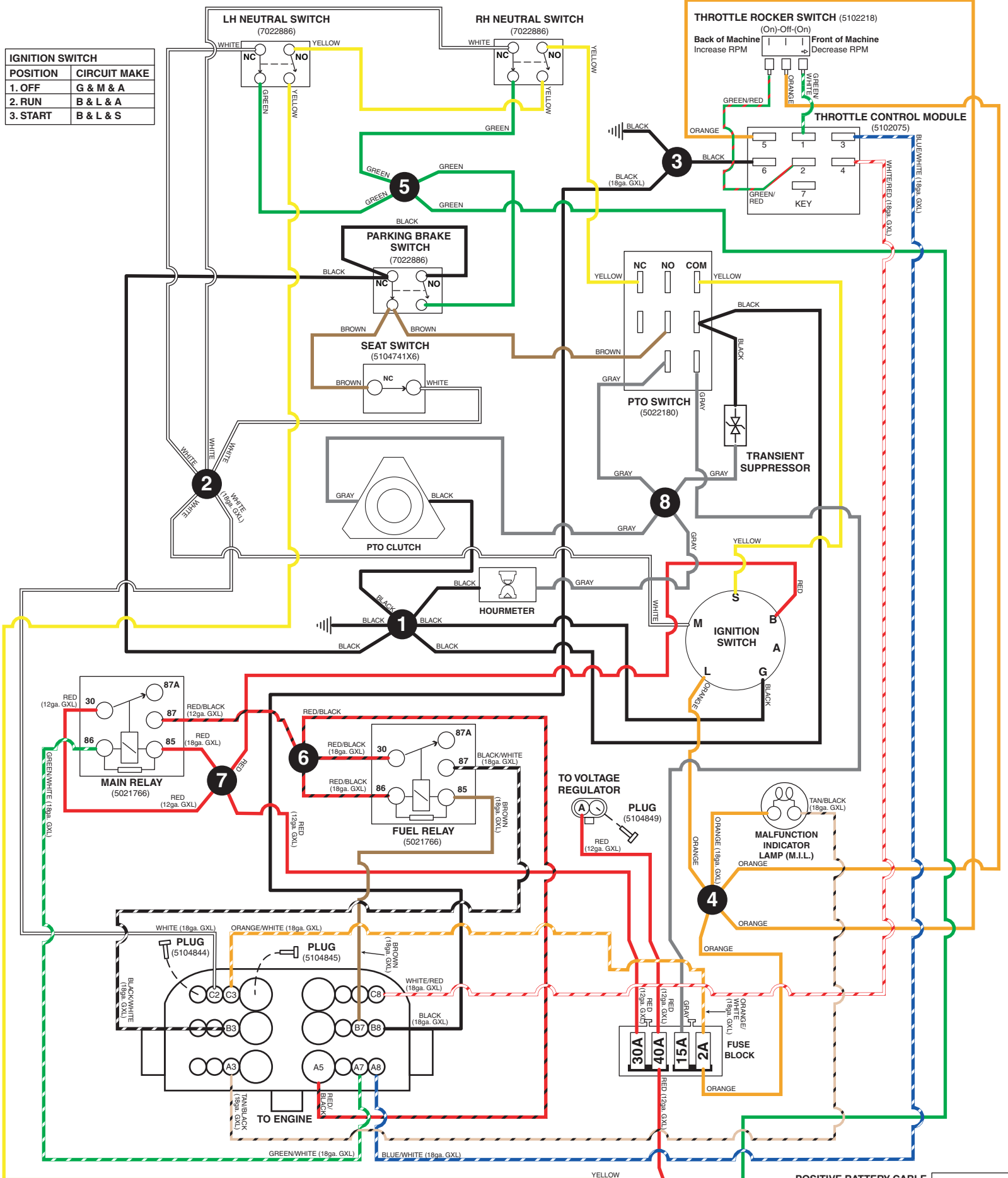


# 5414577 / MAIN WIRE HARNESS - KAWASAKI FUEL INJECTED ENGINES

(If internal schematic of the switch is not shown, the image of the switch represents the back view of the connector as it is connected to the switch.)

IGNITION SWITCH	
POSITION	CIRCUIT MAKE
1. OFF	G & M & A
2. RUN	B & L & A
3. START	B & L & S



### ENGINE WIRE HARNESS (PIN TO CIRCUIT)

A3 - M.I.L. Ground	B3 - Fuel Relay Out	C2 - Safety Switch
A5 - Main Relay Out	B7 - Fuel Relay Central	C3 - Keyed +12V
A7 - Main Relay Central	B8 - PPS Ground	
A8 - PPS Power		

