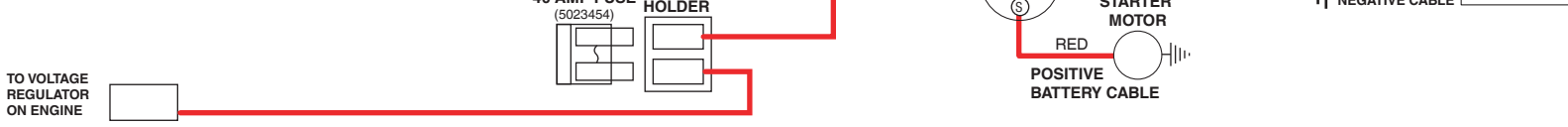
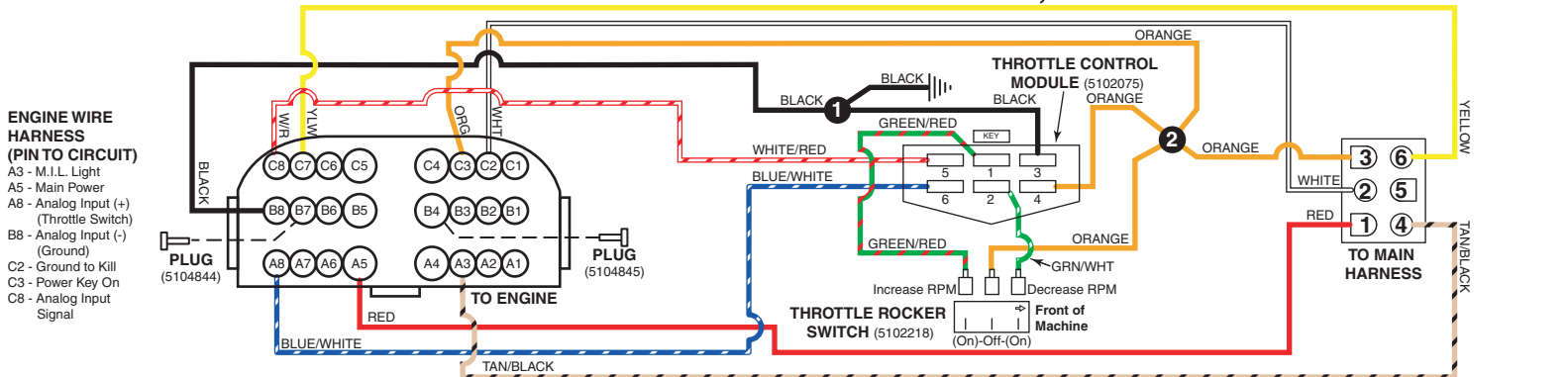


5416382 / CHARGE HARNESS, EFI



5415759 / JUMPER HARNESS, KAWI EFI



ENGINE WIRE HARNESS (PIN TO CIRCUIT)
 A3 - M.I.L. Light
 A5 - Main Power
 A8 - Analog Input (+)
 (Throttle Switch)
 B8 - Analog Input (-)
 (Ground)
 C2 - Ground to Kill
 C3 - Power Key On
 C8 - Analog Input Signal