



- en**    *Customer Contact Guide*
- es**    *Guía de contacto del cliente*
- fr**    *Guide de contacts pour le client*



# Thank You

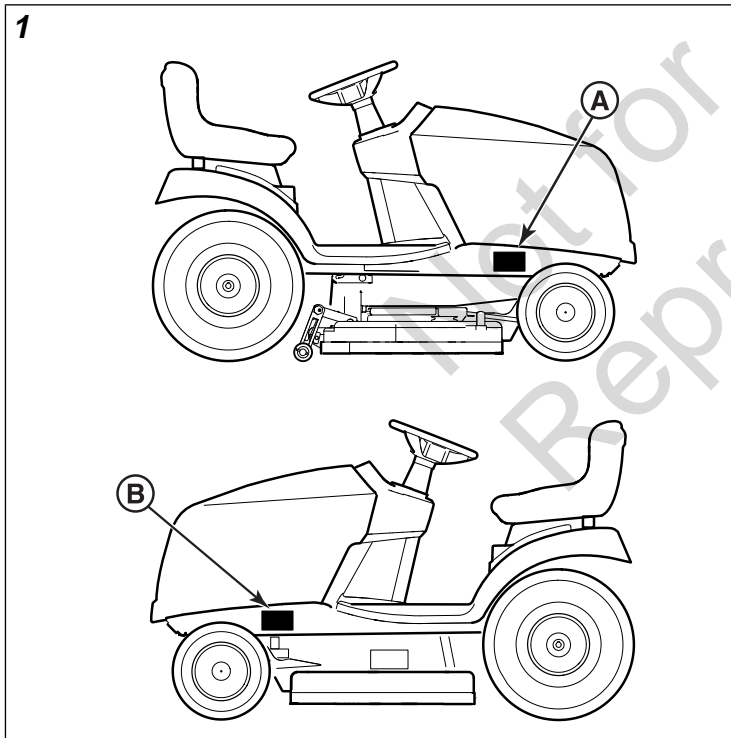
Thank you for purchasing this quality-built Simplicity® product. We are pleased that you have confidence in the Simplicity® brand. When operated and maintained according to the manuals, this product will provide many years of dependable service.

The Operator's Manual contains safety information to make you aware of the hazards and risks associated with the unit and how to avoid them. This product was designed to be used as described in the Operator's Manual and is not intended for any other purpose. It is important that you read and thoroughly understand the instructions in the manual before attempting to start, operate, or service the product. Save these original instructions for future reference.

This product requires final assembly, which is described in the Setup Instructions. Make sure to follow the instructions completely before use. If you need assistance with assembly, operation, or maintenance of the product, contact your local Authorized Service Dealer or visit [simplicitymfg.com](http://simplicitymfg.com) or call 1-800-837-6836 (in USA only).

## Identification Tag

The product identification tag (A and B) can be found as shown in the figure below.



Record your model name/number, manufacturer's identification numbers, and engine serial numbers in the space provided for easy access.

Product Model Number:	
Product Serial Number:	
Engine Model-Type Number:	
Engine Code/Serial Number:	

Date of Purchase:	
Purchase Location:	

When contacting your Authorized Dealer for replacement parts, service, or information you **MUST** have these numbers.

The Illustrated Parts List for this machine can be downloaded from [simplicitymfg.com](http://simplicitymfg.com). Please provide model and serial number when ordering replacement parts.

## Register Your Product

To ensure prompt and complete warranty coverage, register your product on-line at [www.onlineproductregistration.com](http://www.onlineproductregistration.com).

## Product Warranty

### Warranty Statement

#### LIMITED WARRANTY

Briggs & Stratton warrants that, during the warranty period specified below, it will repair or replace, free of charge, any part that is defective in material or workmanship or both.

Transportation charges on product submitted for repair or replacement under this warranty must be borne by purchaser. This warranty is effective for and is subject to the time periods and conditions stated below. For warranty service, find the nearest Authorized Service Dealer in our dealer locator map at [simplicitymfg.com](http://simplicitymfg.com).

The purchaser must contact the Authorized Service Dealer, and then make the product available to the Authorized Service Dealer for inspection and testing.

**There is no other express warranty. Implied warranties, including those of merchantability and fitness for a particular purpose, are limited to the warranty period listed below, or to the extent permitted by law. Liability for incidental or consequential damages are excluded to the extent exclusion is permitted by law.** Some states or countries do not allow limitations on how long an implied warranty lasts, and some states or countries do not allow the exclusion or limitation of incidental or consequential damages, so the above limitation and exclusion may not apply to you. This warranty gives you specific legal rights and you may also have other rights which vary from state to state or country to country.\*\*

### Warranty Period

Item	Consumer Use	Commercial Use
Equipment	36 Months	3 Months
Engine*	36 Months	12 Months
Battery (if equipped)	12 Months	12 Months

\* Applies to Briggs & Stratton engines only. Warranty coverage of non-Briggs & Stratton engines is provided by that engine manufacturer. Emissions-related components are covered by the Emissions Warranty Statement.

\*\* In Australia - Our goods come with guarantees that cannot be excluded under the Australian Consumer Law. You are

entitled to a replacement or refund for a major failure and for compensation for any other reasonably foreseeable loss or damage. You are also entitled to have the goods repaired or replaced if the goods fail to be of acceptable quality and the failure does not amount to a major failure. For warranty service, find the nearest Authorized Service Dealer in our dealer locator map at BRIGGSandSTRATTON.COM, or by calling 1300 274 447, or by emailing or writing to salesenquires@briggsandstratton.com.au, Briggs & Stratton Australia Pty Ltd, 1 Moorebank Avenue, NSW, Australia, 2170.

The warranty period begins on the date of purchase by the first retail or commercial consumer. "Consumer use" means personal residential household use by a retail consumer. "Commercial use" means all other uses, including use for commercial, income producing or rental purposes. Once a product has experienced commercial use, it shall thereafter be considered as a commercial use product for purposes of this warranty.

Save your proof of purchase receipt. If you do not provide proof of the initial purchase date at the time warranty service is requested, the manufacturing date of the product will be used to determine the warranty period. Product registration is not required to obtain warranty service on Briggs & Stratton products.

## About Your Warranty

Warranty service is available only through Simplicity® Authorized Service Dealers. This warranty covers only defects in materials or workmanship. It does not cover damage caused by improper use or abuse, improper maintenance or repair, normal wear and tear, or stale or unapproved fuel.

**Improper Use and Abuse** - The proper, intended use of this product is described in the Operator's Manual. Using the product in a way not described in the Operator's Manual or using the product after it has been damaged will not be covered under this warranty. Warranty coverage will also not be provided if the serial number on the product has been removed or the product has been altered or modified in any way, or if the product has evidence of abuse such as impact damage or water/chemical corrosion damage.

**Improper Maintenance or Repair** - This product must be maintained according to the procedures and schedules provided in the Operator's Manual, and serviced or repaired using genuine Briggs & Stratton parts or equivalent. Damage caused by lack of maintenance or use of non-original parts is not covered by warranty.

**Normal Wear and Tear** - Like most mechanical devices, your unit is subject to wear even when properly maintained. This warranty does not cover repairs when normal use has exhausted the life of a part or the equipment. Maintenance and wear items such as filters, belts, cutting blades, and brake pads (except engine brake pads) are not covered by warranty due to wear characteristics alone, unless the cause is due to defects in material or workmanship.

**Stale or Unapproved Fuel** - In order to function correctly, this product requires fresh fuel that conforms to the criteria specified in the Operator's Manual. Engine or equipment damage caused

by stale fuel or the use of unapproved fuels (such as E15 or E85 ethanol blends) is not covered by warranty.

**Other Exclusions** - This warranty excludes damage due to accident, abuse, modifications, alterations, improper servicing, freezing or chemical deterioration. Attachments or accessories that were not originally packaged with the product are also excluded. There is no warranty coverage on equipment used for primary power in place of utility power or on equipment used in life support applications. This warranty does not include used, reconditioned, second-hand, or demonstration equipment or engines. This warranty also excludes failures due to acts of God and other force majeure events beyond the manufacturer's control.

80015795EN (Rev -)

## Emissions Warranty California, U.S. EPA, and Briggs & Stratton Corporation Emissions Control Warranty Statement

**For Briggs & Stratton Engine Models with "B" or "G" Trim Designation**

**(Model-Type-Trim Representation xxxxxx xxxx Bx or xxxxxx xxxx Gx)**

The California Air Resources Board, U.S. EPA, and Briggs & Stratton (B&S) are pleased to explain the emissions control system warranty on your 2017-2019 engine. In California, new small off-road engines and large spark ignited engines less than or equal to 1.0 liter must be designed, built, and equipped to meet the State's stringent anti-smog standards. B&S must warrant the emissions control system on your engine for the periods of time listed below provided there has been no abuse, neglect, or improper maintenance of your engine.

Your exhaust emissions control system may include parts such as the carburetor or fuel injection system, ignition system, and catalytic converter. Also included may be hoses, belts, connectors, sensors, and other emissions-related assemblies.

Where a warrantable condition exists, B&S will repair your engine at no cost to you including diagnosis, parts, and labor.

### Manufacturer's Warranty Coverage:

Small off-road engines and large spark ignited engines less than or equal to 1.0 liter, are warranted for two years, or for the time period listed in the respective engine or product warranty statement, whichever is greater. If any emissions-related part on your B&S engine is defective, the part will be repaired or replaced by B&S.

### Owner's Warranty Responsibilities:

- As the engine owner, you are responsible for the performance of the required maintenance listed in your Operator's Manual. B&S recommends that you retain all receipts covering maintenance on your engine, but B&S cannot deny warranty solely for the lack of receipts or your failure to ensure the performance of all scheduled maintenance.

- As the engine owner, you should however be aware that B&S may deny you warranty coverage if your engine or a part has failed due to abuse, neglect, improper maintenance, or unapproved modifications.
- You are responsible for presenting your engine to a B&S distribution center, servicing dealer, or other equivalent entity, as applicable, as soon as a problem exists. The warranty repairs should be completed in a reasonable amount of time, not to exceed 30 days. If you have any questions regarding your warranty rights and responsibilities, you should contact B&S at 1-800-444-7774 (in USA) or BRIGGSandSTRATTON.com.

## Briggs & Stratton Emissions Control Warranty Provisions

The following are specific provisions relative to your Emissions Control Warranty Coverage. It is in addition to the B&S engine warranty for non-regulated engines found in the Operator's Manual.

### 1. Warranted Emissions Parts

Coverage under this warranty extends only to the parts listed below (the emissions control systems parts) to the extent these parts were present on the B&S engine.

#### a. Fuel Metering System

- Cold start enrichment system (soft choke)
- Carburetor or fuel injection system
- Oxygen sensor
- Electronic control unit
- Fuel pump module

#### b. Air Induction System

- Air cleaner
- Intake manifold

#### c. Ignition System

- Spark plug(s)
- Magneto ignition system

#### d. Catalyst System

- Catalytic converter
- Exhaust manifold
- Air injection system or pulse valve

#### e. Miscellaneous Items Used in Above Systems

- Vacuum, temperature, position, time sensitive valves and switches
- Connectors and assemblies

### 2. Length of Coverage

Coverage is for a period of two years from the date of original purchase, or for the time period listed in the respective engine or product warranty statement, whichever is greater. B&S warrants to the original purchaser and each subsequent purchaser that the engine is designed, built, and equipped so as to conform with all applicable regulations adopted by the Air

Resources Board; that it is free from defects in material and workmanship that could cause the failure of a warranted part; and that it is identical in all material respects to the engine described in the manufacturer's application for certification. The warranty period begins on the date the engine is originally purchased.

The warranty on emissions-related parts is as follows:

- Any warranted part that is not scheduled for replacement as required maintenance in the Operator's Manual supplied, is warranted for the warranty period stated above. If any such part fails during the period of warranty coverage, the part will be repaired or replaced by B&S at no charge to the owner. Any such part repaired or replaced under the warranty will be warranted for the remaining warranty period.
- Any warranted part that is scheduled only for regular inspection in the Operator's Manual supplied, is warranted for the warranty period stated above. Any such part repaired or replaced under warranty will be warranted for the remaining warranty period.
- Any warranted part that is scheduled for replacement as required maintenance in the Operators's Manual supplied, is warranted for the period of time prior to the first scheduled replacement point for that part. If the part fails prior to the first scheduled replacement, the part will be repaired or replaced by B&S at no charge to the owner. Any such part repaired or replaced under warranty will be warranted for the remainder of the period prior to the first scheduled replacement point for the part.
- Add-on or modified parts that are not exempted by the Air Resources Board may not be used. The use of any non-exempted add-on or modified parts by the owner will be grounds for disallowing a warranty claim. The manufacturer will not be liable to warrant failures of warranted parts caused by the use of a non-exempted add-on or modified part.

### 3. Consequential Coverage

Coverage shall extend to the failure of any engine components caused by the failure of any warranted emissions parts.

### 4. Claims and Coverage Exclusions

Warranty claims shall be filed according to the provisions of the B&S engine warranty policy. Warranty coverage does not apply to failures of emissions parts that are not original equipment B&S parts or to parts that fail due to abuse, neglect, or improper maintenance as set forth in the B&S engine warranty policy. B&S is not liable for warranty coverage of failures of emissions parts caused by the use of add-on or modified parts.

## Look For Relevant Emissions Durability Period and Air Index Information

Engines that are certified to meet the California Air Resources Board (CARB) small off-road Emissions Standard must display information regarding the **Emissions Durability Period** and the Air Index. Briggs & Stratton makes this information available to the consumer on our emissions labels. The engine emissions label will indicate certification information.

**The Emissions Durability Period** describes the number of hours of actual running time for which the engine is certified to be emissions compliant, assuming proper maintenance in accordance with the Operator's Manual. The following categories are used:

**Moderate:**

Engines at or less than 80 cc displacement are certified to be emissions compliant for 50 hours of actual engine running time. Engines greater than 80 cc displacement are certified to be emissions compliant for 125 hours of actual engine running time.

**Intermediate:**

Engines at or less than 80 cc displacement are certified to be emissions compliant for 125 hours of actual engine running time. Engines greater than 80 cc displacement are certified to be emissions compliant for 250 hours of actual engine running time.

**Extended:**

Engines at or less than 80 cc displacement are certified to be emissions compliant for 300 hours of actual engine running time. Engines greater than 80 cc displacement are certified to be emissions compliant for 500 hours of actual engine running time. For example, a typical walk-behind lawn mower is used 20 to 25 hours per year. Therefore, the **Emissions Durability Period** of an engine with an intermediate rating would equate to 10 to 12 years.

Briggs & Stratton engines are certified to meet the United States Environmental Protection Agency (USEPA) Phase 2 or Phase 3 emissions standards. The Emissions Compliance Period referred to on the Emissions Compliance label indicates the number of operating hours for which the engine has been shown to meet Federal emissions requirements.

**For engines at or less than 80 cc displacement:**

Category C = 50 hours, Category B = 125 hours, Category A = 300 hours

**For engines greater than 80 cc displacement and less than 225 cc displacement:**

Category C = 125 hours, Category B = 250 hours, Category A = 500 hours

**For engines of 225 cc or more displacement:**

Category C = 250 hours, Category B = 500 hours, Category A = 1000 hours

80008114EN (Rev F)

# Gracias

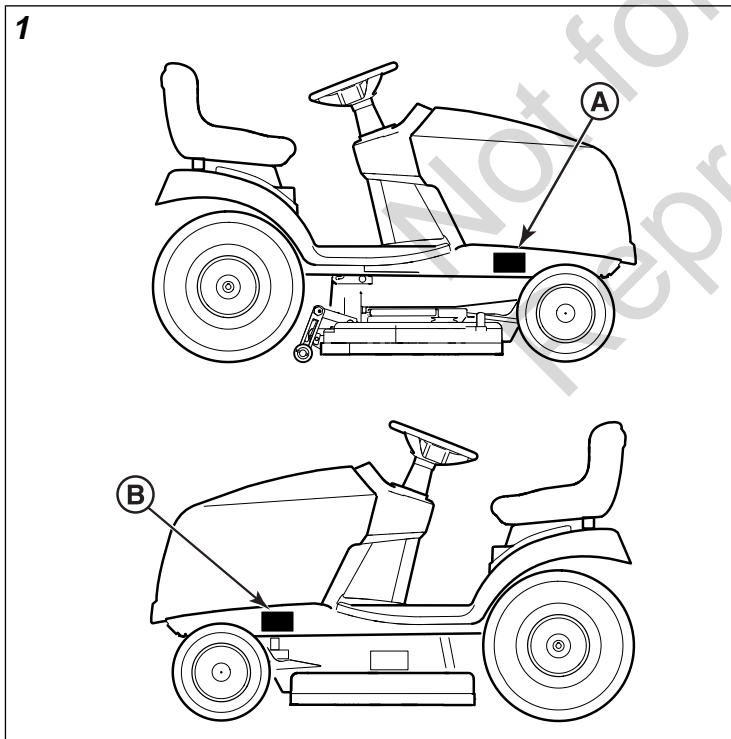
Gracias por comprar este producto Simplicity® de alta calidad. Nos complace que confíe en la marca Simplicity®. Si se usa y se le da mantenimiento según las instrucciones en los manuales, este producto le proporcionará muchos años de servicio confiable.

El Manual del operador contiene información de seguridad para que usted conozca los peligros y riesgos propios de la unidad y sepa cómo evitarlos. Este producto está diseñado para utilizarse tal y como se describe en el Manual del operador y no puede usarse para ningún otro fin. Es importante que lea y comprenda perfectamente las instrucciones de este manual antes de intentar arrancar u operar el producto o realizarle mantenimiento. Guarde estas instrucciones originales para futuras consultas.

Este producto requiere un montaje final, que se describe en las Instrucciones de montaje. Asegúrese de seguir completamente las instrucciones antes de usar. Si necesita ayuda con el montaje, la operación o el mantenimiento del producto, comuníquese con su distribuidor local de servicio autorizado o visite [simplicitymfg.com](http://simplicitymfg.com) o llame al 1-800-837-6836 (únicamente en los EE. UU.).

## Etiqueta de identificación

La etiqueta de identificación del producto (A y B) se puede encontrar en la siguiente figura.



Registre su nombre/número de modelo, los números de identificación del fabricante y los números de serie del motor en el espacio provisto para un fácil acceso.

Número de modelo del producto:	
--------------------------------	--

Número de serie del producto:	
Número de modelo y tipo de motor:	
Número de código/serie del motor:	
Fecha de compra:	
Lugar de compra:	

Cuando se comunique con su distribuidor autorizado para pedir piezas de repuesto, servicio o información, usted DEBE tener estos números.

La lista de piezas ilustradas de esta máquina se puede descargar desde [simplicitymfg.com](http://simplicitymfg.com). Provea el número de modelo y de serie cuando pida piezas de repuesto.

## Registre su producto

Con el fin de garantizar la cobertura de la garantía en forma inmediata y completa, registre su producto en línea en [www.onlineproductregistration.com](http://www.onlineproductregistration.com).

## Garantía de productos

### Declaración de garantía

#### GARANTÍA LIMITADA

Briggs & Stratton garantiza que, durante el período de garantía especificado a continuación, reparará o reemplazará, sin cargo alguno, cualquier pieza defectuosa en cuanto a material, mano de obra o ambos. Los gastos de transporte del producto sometido a reparación o cambio conforme a esta garantía estarán a cargo del comprador. Esta garantía es efectiva durante los períodos de tiempo indicados a continuación y está sujeta a dichos períodos y a las condiciones establecidos. Para obtener servicio de garantía, encuentre el distribuidor de servicio autorizado más cercano en nuestro mapa de localización de distribuidores en [simplicitymfg.com](http://simplicitymfg.com).

El comprador debe ponerse en contacto con el distribuidor de servicio autorizado y poner el producto a su disposición para la inspección y prueba.

**No existe ninguna otra garantía expresa. Las garantías implícitas, incluidas las de comerciabilidad y aptitud para una finalidad específica, están limitadas al período de garantía mencionado a continuación, o en la medida de lo permitido por la ley. La responsabilidad por daños incidentales o indirectos queda excluida en la medida que dicha exclusión esté permitida por ley.** Algunos estados o países no permiten limitaciones en cuanto a la duración de una garantía implícita, y otros estados o países no permiten la exclusión o limitación de daños incidentales o indirectos, con lo cual la limitación y exclusión mencionadas anteriormente pueden no ser aplicables para usted. Esta garantía le otorga derechos legales específicos y usted podrá también tener otros derechos que varíen de un estado a otro estado o de un país a otro país.\*\*

## Período de garantía

Artículo	Uso privado	Uso Comercial
----------	-------------	---------------

Equipo	36 meses	3 meses
Motor*	36 meses	12 meses
Batería (si tuviera)	12 meses	12 meses

\* Solo aplicable a los motores Briggs & Stratton. La cobertura de garantía de motores diferentes a los Briggs & Stratton la suministra el fabricante de dicho motor. Los componentes relacionados con las emisiones están cubiertos en la Declaración de Garantía sobre las Emisiones.

\*\* En Australia, nuestros productos vienen con garantías que no pueden excluirse bajo la Ley Australiana del Consumidor. Usted tiene derecho a una sustitución o a un reembolso por una avería importante y a compensación por cualquier otra pérdida o daño razonablemente previsible. También tiene derecho a una reparación o sustitución de productos si estos no son de una calidad aceptable y la avería no representa una avería muy grave. Para recibir servicio de garantía, contacte al distribuidor de servicio autorizado más cercano en nuestro mapa de localización de distribuidores en BRIGGSandSTRATTON.COM, marque el 1300 247 447, o envíe un correo electrónico a salesenquires@briggsandstratton.com.au, o una carta a Briggs & Stratton Australia Pty Ltd, 1 Moorebank Avenue, NSW, Australia, 2170.

El período de garantía inicia con la fecha de compra por parte del primer minorista o el comprador final. "Uso privado" significa el uso doméstico personal por parte del primer minorista. "Uso comercial" significa todos los otros usos, que incluyen aquellos con fines comerciales, de generación de ingresos o renta. Una vez que el producto haya sido usado de forma comercial, será considerado a partir de ese momento como un producto de uso comercial a los efectos de esta garantía.

Guarde su recibo de compra como constancia. Si no aporta prueba de la fecha de compra inicial al solicitar el servicio de garantía, se tomará la fecha de fabricación del producto para determinar el período de garantía. No se requiere el registro del producto para obtener servicio de garantía en los productos de Briggs & Stratton.

## Acerca de su Garantía

El servicio de garantía solo está disponible a través de Simplicity® autorizados de Marcas. Esta garantía solo cubre defectos de materiales o mano de obra. No cubre daños causados por uso indebido o maltrato, mantenimiento o reparación inadecuados, desgaste natural por uso, o el uso de un combustible viciado o inadecuado.

**Uso indebido o maltrato:** El uso adecuado, para el cual está diseñado este producto se describe en el Manual del operador. Usar el producto de una manera no descrita en el Manual del operador o usar el producto después de que ha sido dañado no será cubierto por su garantía. La garantía tampoco se aplicará si el número de serie del producto ha sido quitado o si el producto ha sido alterado o modificado en cualquier forma, o si el producto presenta pruebas de maltrato como daño por impacto o daño por corrosión por agua/química.

**Reparación o mantenimiento inadecuados:** Este producto debe recibir mantenimiento según los procedimientos y

cronogramas provistos en el Manual del operador, y se le debe dar servicio o reparación utilizando partes Briggs & Stratton auténticas o equivalentes. El daño causado por la falta de mantenimiento o el uso de piezas no originales no está cubierto por la garantía.

**Desgaste normal por el uso:** Como muchos de los dispositivos mecánicos, su unidad está sujeta a desgaste incluso cuando recibe un servicio de mantenimiento adecuado. Esta garantía no cubre las reparaciones cuando el uso normal ha agotado la vida útil del equipo o de alguna de sus piezas. La garantía no cubre los artículos utilizados para el mantenimiento o por el desgaste como filtros, correas, cuchillas y pastillas de freno (a excepción de las pastillas del motor) solamente por razones de desgaste, a menos que la causa sea debida a defectos en el material o en la mano de obra.

**Combustible viciado o no aprobado:** Para funcionar correctamente, este producto requiere el uso de combustible fresco que cumpla con los criterios especificados en el Manual del operador. Esta garantía no cubre el daño al motor o al equipo generado por el uso de combustibles viciados o no aprobados (como las mezclas de etanol E15 o E85).

**Otras exclusiones:** Esta garantía no cubre el daño debido a accidentes, usos inadecuados, modificaciones, alteraciones, mantenimiento inadecuado, congelación o deterioro químico. Se excluyen también los aditamentos o accesorios que no fueron en un principio embalados con el producto. No se provee cobertura de garantía cuando el equipo es utilizado para una fuente primaria eléctrica en lugar de la red de servicios públicos, o un equipo empleado para el mantenimiento de las funciones vitales. Esta garantía no incluye equipos o motores usados, reacondicionados, de segunda mano o para demostración. Esta garantía también excluye fallas atribuibles a actos de la naturaleza o a cualquier otro evento de fuerza mayor que estén más allá del alcance del control del fabricante.

80015795 (Rev.)

## Garantía de emisiones

### Declaración de garantía de control de emisiones de California, de la Agencia de Protección Ambiental (Environmental Protection Agency, EPA) de los EE. UU. y Briggs & Stratton Corporation

Para los modelos de motor Briggs & Stratton con designación de orientación "B" o "G"

(Modelo-Tipo-Orientación Representación xxxxxx xxxx Bx o xxxxxx xxxx Gx)

La Junta de Recursos del Aire de California, la EPA de los EE. UU. y Briggs & Stratton (B&S) le explican a continuación la garantía del sistema de control de emisiones de su motor 2017-2019. En California, los nuevos motores pequeños todo terreno y los motores grandes de encendido por chispa de 1,0 litro o menos se deben diseñar, crear y equipar para cumplir con las rigurosas normas estatales contra la contaminación del aire. B&S debe garantizar el sistema de

control de emisiones en su motor por los períodos de tiempo que se indican a continuación, siempre y cuando no haya habido maltrato, descuido o mantenimiento inapropiado en su motor.

Su sistema de control de emisiones puede incluir piezas como el carburador o el sistema de inyección de combustible, el sistema de arranque y el convertidor catalítico. También puede incluir mangueras, correas, conectores, detectores y otros conjuntos relacionados con las emisiones.

Cuando exista una condición sujeta a garantía, B&S reparará su motor sin cargo para usted, lo que incluye diagnóstico, piezas y mano de obra.

#### **Cobertura de la garantía del fabricante:**

Los motores pequeños todo terreno y los grandes motores de encendido por chispa de 1,0 litro o menos tienen garantía de dos años o por el período que se indica en la declaración de garantía del motor o producto correspondiente, el que sea más prolongado. Si alguna pieza del motor relacionada con las emisiones estuviera defectuosa, B&S la reparará o sustituirá.

#### **Responsabilidades del propietario con respecto a la garantía:**

- Como propietario del motor, usted es responsable de llevar a cabo todas las operaciones de mantenimiento necesarias indicadas en el Manual del operador. B&S recomienda conservar todas las facturas relativas al mantenimiento del motor, pero B&S no puede denegar la garantía basándose únicamente en la falta de facturas o en su imposibilidad de asegurar la correcta realización de todas las tareas de mantenimiento programadas.
- Sin embargo, como propietario del motor, usted debe ser consciente de que B&S puede denegar la cobertura de la garantía si su motor o una de sus piezas falla a causa de maltrato, uso negligente, mantenimiento inapropiado o modificaciones no aprobadas.
- Usted es responsable de presentar su motor a un centro de distribución de B&S, distribuidor autorizado de servicio u otra entidad equivalente, según corresponda, en el momento en que surja un problema. Las reparaciones bajo la garantía deben completarse en un período de tiempo razonable que no exceda de 30 días. En caso de preguntas sobre los derechos y responsabilidades relativos a la garantía, comuníquese con B&S llamando al 1-800-444-7774 (en EE. UU.) o visite [BRIGGSandSTRATTON.COM](http://BRIGGSandSTRATTON.COM).

### **Disposiciones para la Garantía sobre control de emisiones de Briggs & Stratton**

A continuación se detallan las disposiciones específicas relativas a la Cobertura de la garantía del control de emisiones. Se añaden a la garantía de motores de B&S para motores no regulados, que figura en el Manual del operador.

#### **1. Piezas de emisiones cubiertas por la garantía**

La presente garantía cubre únicamente las piezas que se indican a continuación (las piezas de los sistemas de control

de emisiones) en la medida en que estas piezas estén presentes en el motor de B&S.

#### **a. Sistema de medición de combustible**

- Sistema de enriquecimiento para arranque en frío (estrangulador electrónico)
- Carburador o sistema de inyección de combustible
- Sensor de oxígeno
- Unidad de control electrónica
- Módulo de la bomba de combustible

#### **b. Sistema de inducción de aire**

- Filtro de aire
- Colector de admisión

#### **c. Sistema de encendido**

- Bujía(s)
- Sistema de encendido magnético

#### **d. Sistema catalizador**

- Convertidor catalítico
- Colector de escape
- Sistema de inyección de aire o válvula de pulso

#### **e. Elementos diversos usados en los sistemas anteriores**

- Válvulas e interruptores de vacío, temperatura, posición y sensibles al tiempo
- Conectores y conjuntos

#### **2. Duración de la cobertura**

El período de cobertura es de dos años a partir de la fecha de la compra original, o bien el que se indique en la declaración de garantía del motor o producto correspondiente, el que sea más prolongado. B&S garantiza al comprador original y a cada comprador subsiguiente que el motor está diseñado, fabricado y equipado conforme a todas las reglamentaciones aplicables adoptadas por la Junta de Recursos del Aire; que no tiene defectos de materiales ni de mano de obra que puedan provocar la avería de una pieza cubierta por la garantía; y que es idéntico en todos los aspectos esenciales al motor descrito en la solicitud de certificación del fabricante. El período de garantía comienza en la fecha de compra original del motor.

La garantía sobre las piezas relacionadas con las emisiones es la siguiente:

- Todas las piezas cubiertas por la garantía que no se deban sustituir como parte del programa de mantenimiento obligatorio detallado en el Manual del operador entregado quedarán cubiertas por la garantía durante el período especificado anteriormente. Si tal pieza falla durante el período de cobertura de la garantía, la pieza será reparada o sustituida por B&S, sin costo alguno para el propietario. Las piezas que se reparen o sustituyan en virtud de la garantía estarán cubiertas por la garantía durante el período de garantía restante.
- Todas las piezas cubiertas por la garantía que solo se deban inspeccionar periódicamente según el Manual del



operador entregado quedarán cubiertas por la garantía durante el período de la garantía especificado anteriormente. Las piezas que se reparen o sustituyan en virtud de la garantía estarán cubiertas por la garantía durante el período de garantía restante.

- Las piezas cubiertas por la garantía que se deban sustituir como parte del plan de mantenimiento obligatorio detallado en el Manual del operador entregado quedarán cubiertas por la garantía hasta el momento en que se indique que es necesario hacer la primera sustitución. Si la pieza falla antes del primer reemplazo programado, la pieza será reparada o sustituida por B&S, sin costo alguno para el propietario. Las piezas que se reparen o sustituyan en virtud de la garantía estarán cubiertas por la garantía durante el período de garantía restante hasta llegar a la fecha de la primera sustitución.
- No se podrán utilizar piezas complementarias o modificadas no exentas por la Junta de Recursos del Aire. El uso por parte del propietario de cualquier pieza adicional o modificada que no esté exenta será causa suficiente para rechazar un reclamo en garantía. El fabricante no será responsable de extender la garantía por fallas de piezas cubiertas por la garantía que se deban al uso de piezas adicionales o modificadas que no estén exentas.

### 3. Cobertura indirecta

La cobertura se extenderá hasta la falla de cualquiera de los componentes del motor ocasionada por la falla de cualquier pieza relacionada con las emisiones que se encuentre bajo garantía.

### 4. Exclusiones de reclamos y cobertura

Los reclamos por garantía deberán ser presentados de acuerdo con las disposiciones de la política de garantía de motores de B&S. La cobertura de la garantía no se aplica a las fallas de piezas relacionadas con las emisiones que no sean piezas originales de B&S ni a las averías debidas a maltrato, negligencia o mantenimiento inadecuado, conforme a las disposiciones de la política de garantía de motores de B&S. B&S no será responsable de la cobertura de la garantía de fallas de piezas relacionadas con las emisiones provocadas por el uso de piezas adicionales o modificadas.

## Busque la información relevante del período de durabilidad de las emisiones y del índice del aire

Los motores con certificación que cumplen con la Norma sobre emisiones de motor pequeño todo terreno de la Junta de Recursos del Aire de California (California Air Resources Board, CARB) deben mostrar información sobre el **Período de durabilidad de las emisiones** y el índice del aire. Briggs & Stratton ofrece esta información a disposición del consumidor en las etiquetas de emisiones. La etiqueta de emisiones del motor contiene la información de certificación.

El **período de durabilidad de las emisiones** indica la cantidad de horas efectivas durante las cuales el motor puede funcionar cumpliendo con las normas sobre emisiones, siempre que se realicen las operaciones de mantenimiento adecuadas de

acuerdo con el Manual del operador. Se utilizan las siguientes categorías:

#### Moderado:

Motores con un desplazamiento de 80 cc o menos que cuentan con certificación que cumpla con emisiones para 50 horas de tiempo de funcionamiento efectivo del motor. Motores con desplazamiento superior a 80 cc que cuentan con certificación que cumpla con emisiones para 125 horas del tiempo de funcionamiento efectivo del motor.

#### Intermedio:

Motores con un desplazamiento de 80 cc o menos que cuentan con certificación que cumpla con emisiones para 125 horas de tiempo de funcionamiento efectivo del motor. Motores con un desplazamiento superior a 80 cc que cuentan con certificación que cumpla con emisiones para 250 horas de tiempo de funcionamiento efectivo del motor.

#### Extendido:

Motores con un desplazamiento de 80 cc o menos que cuentan con certificación que cumpla con emisiones para 300 horas de tiempo de funcionamiento efectivo del motor. Motores con un desplazamiento superior a 80 cc que cuentan con certificación que cumpla con emisiones para 500 horas de tiempo de funcionamiento efectivo del motor. Por ejemplo, un cortacésped de empuje típico se utiliza entre 20 y 25 horas al año. Por lo tanto, el **Período de durabilidad de las emisiones** de un motor con clasificación intermedia equivaldría a entre 10 y 12 años.

Los motores Briggs & Stratton cuentan con la certificación que cumple con las normas sobre emisiones de la fase 2 o fase 3 de la Agencia de Protección Ambiental de los Estados Unidos (USEPA). El período de cumplimiento de las emisiones mencionado en la etiqueta de Cumplimiento de las emisiones indica la cantidad de horas de funcionamiento durante las cuales el motor ha demostrado cumplir con los requisitos federales sobre emisiones.

#### Para motores con desplazamiento de 80 cc o menos:

Categoría C = 50 horas, Categoría B = 125 horas, Categoría A = 300 horas

#### Para motores con desplazamiento mayor a 80 cc o menor a 225 cc:

Categoría C = 125 horas, Categoría B = 250 horas, Categoría A = 500 horas

#### Para motores con desplazamiento de 225 cc o superior:

Categoría C = 250 horas, Categoría B = 500 horas, Categoría A = 1000 horas

80008114 (Mod. F)

## Merci

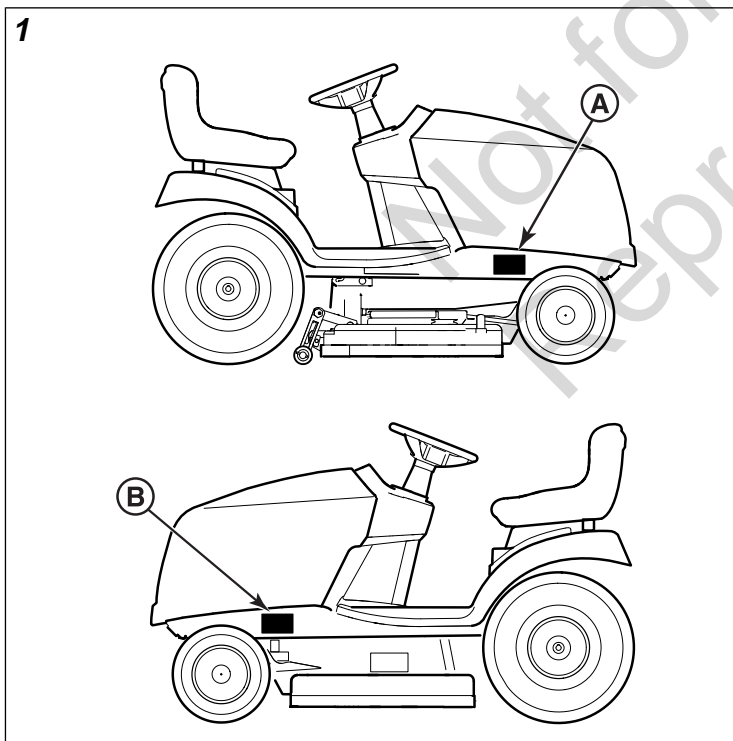
Nous vous remercions d'avoir acheté ce produit de marque Simplicity® de grande qualité. Nous sommes heureux que vous ayez confiance en la marque Simplicity®. S'il est utilisé et entretenu selon les instructions des manuels, ce produit vous procurera de nombreuses années de service fiable.

Le manuel d'utilisation contient des renseignements de sécurité pour vous faire connaître les dangers et les risques associés à ce produit et la façon de les éviter. Ce produit a été conçu pour être utilisé comme décrit dans le manuel d'utilisation et n'est pas destiné à d'autres fins. Il est important de lire et comprendre parfaitement les instructions de ce manuel avant d'essayer de mettre en marche, de faire fonctionner, ou de réparer le produit. Conservez ces instructions d'origine en vue d'une consultation future.

Ce produit demande un assemblage final, qui est décrit dans les instructions de montage. S'assurer de suivre les instructions au complet avant d'utiliser. Si vous avez besoin d'aide pour le montage, l'utilisation ou l'entretien de ce produit, veuillez communiquer avec votre fournisseur de service autorisé local ou visiter [simplicitymfg.com](http://simplicitymfg.com) ou appeler 1-800-837-6836 (aux É.-U. seulement).

## Étiquette d'identification

L'étiquette d'identification du produit (A et B) peut être trouvée comme il est démontré par la figure ci-dessous.



Noter le nom / numéro du modèle, les numéros d'identification du fabricant et les numéros de série du moteur dans l'espace prévu pour accès facile.

Référence du modèle du produit :

Numéro de série du produit :	
Numéro de modèle type du moteur :	
Numéro de code/série du moteur :	
Date d'achat :	
Lieu d'achat :	

Lorsque vous communiquez avec votre réparateur agréé pour des pièces de rechange, une réparation ou un entretien, ou des informations, vous DEVEZ avoir ces numéros avec vous.

La liste des pièces illustrées pour cette machine peut être téléchargée à partir de [simplicitymfg.com](http://simplicitymfg.com). Veuillez fournir le modèle et le numéro de série au moment de commander les pièces de rechange.

## Enregistrer votre produit

Pour assurer une couverture rapide et complète de la garantie, veuillez enregistrer votre produit en ligne à [www.onlineproductregistration.com](http://www.onlineproductregistration.com).

## Garantie du produit

### Énoncé de garantie

#### GARANTIE LIMITÉE

Briggs & Stratton garantit que, pendant la période de garantie précisée ci-dessous, elle réparera ou remplacera, sans frais, toute pièce défectueuse comportant un vice de matériau ou un défaut de fabrication ou les deux. En vertu de la présente garantie, les frais de transport du produit envoyé pour réparation ou remplacement sont à la charge de l'acheteur. La présente garantie sera en vigueur et soumise aux périodes et aux conditions stipulées ci-dessous. Pour obtenir des services en vertu de la garantie, veuillez consulter notre Outil de recherche de service après-vente agréé à [simplicitymfg.com](http://simplicitymfg.com).

L'acheteur doit communiquer avec le Service après-vente agréé, puis mettre le produit à la disposition du Service après-vente agréé aux fins d'inspection et d'essais.

**Il n'existe aucune autre garantie expresse. Les garanties implicites, incluant les garanties de qualité marchande et d'adaptation à un usage particulier, sont limitées à la période définie dans la garantie citée ci-dessous, ou jusqu'à la limite permise par la loi. La responsabilité pour dommages accessoires ou indirects est exclue dans la mesure où une telle exclusion est permise par la loi.**

Certains pays ou États/provinces n'autorisent aucune restriction sur la durée d'une garantie implicite, et certains pays ou États/provinces n'autorisent pas l'exclusion ou la limitation des dommages consécutifs ou indirects. Par conséquent, les restrictions et exclusions ci-dessus pourraient ne pas s'appliquer dans votre cas. La présente garantie vous accorde des droits légaux spécifiques et vous pourriez également en avoir d'autres, qui peuvent varier d'un état ou d'une province à l'autre et d'un pays à l'autre.\*\*

## Période de garantie

Article	Usage par un consommateur	Usage à des fins commerciales
Équipement	36 mois	3 mois
Moteur*	36 mois	12 mois
Batterie (si équipé)	12 mois	12 mois

\* Concerne les moteurs Briggs & Stratton seulement. La couverture de garantie des moteurs qui ne sont pas fabriqués par Briggs & Stratton est fournie par les fabricants de ces moteurs. Les composants antipollution sont couverts par la Déclaration de garantie concernant le contrôle des émissions.

\*\* En Australie – Nos produits sont accompagnés de garanties qui ne peuvent être exclues en vertu de l’Australian Consumer Law. Vous avez droit à un remplacement ou à un remboursement en cas de défaillance majeure et en compensation à toute perte ou tout dommage raisonnablement prévisible. Vous avez également droit à la réparation ou au remplacement des produits si ceux-ci ne sont pas de qualité acceptable et que la défaillance n’équivaut pas à une défaillance majeure. Pour obtenir le service sous garantie, recherchez le concessionnaire autorisé le plus proche sur notre carte des détaillants sur le site BRIGGSandSTRATTON.COM, appelez le 1300 274 447, ou encore envoyez un courriel ou écrivez une lettre à salesenquires@briggsandstratton.com.au ou Briggs & Stratton Australia Pty Ltd, 1 Moorebank Avenue, NSW, Australie, 2170.

La période de garantie débute à la date d’achat par le premier acheteur au détail ou par le premier utilisateur commercial.

« Utilisation grand public » signifie une utilisation domestique personnelle dans une résidence par l’acheteur au détail.

« Utilisation à des fins commerciales » signifie toute autre utilisation, y compris à des fins commerciales, générant des revenus ou de location. Une fois que le produit a été utilisé dans un but commercial, il sera considéré comme étant une utilisation commerciale dans le cadre de cette garantie.

Veillez garder le reçu de votre achat. Si vous ne pouvez pas fournir la preuve de l’achat au moment de faire une demande se rapportant à la garantie, la date de fabrication du produit sera utilisée pour déterminer la période de garantie. Il n’est pas nécessaire d’enregistrer les produits Briggs & Stratton afin qu’ils soient couverts par la garantie.

## À propos de votre garantie

Les services reliés à la garantie sont uniquement disponibles par l’entremise des Simplicity®. d’un distributeur de service autorisé Cette garantie couvre uniquement les défauts de matériel et de fabrication. Elle ne couvre pas les dommages causés par une mauvaise utilisation ou par des abus, un mauvais entretien ou une réparation incorrecte, une usure normale ou l’utilisation de carburant éventé ou non approuvé.

**Mauvaise utilisation et abus** - L’utilisation prévue et correcte du produit est décrite dans le manuel d’utilisation. L’utilisation de l’appareil de façon autre que celle décrite dans le manuel d’utilisation ou son utilisation une fois qu’il est endommagé annulera la garantie. Vous ne pourrez vous prévaloir de la garantie si le numéro de série sur le produit a été supprimé ou

si le produit a été modifié d’une manière quelconque, ou s’il présente des preuves d’abus, comme par impact, corrosion par l’eau ou par produits chimiques.

**Mauvais entretien ou mauvaise réparation** - Ce produit doit être entretenu conformément aux procédures et aux intervalles indiqués dans le manuel d’utilisation, et l’entretien et les réparations doivent être effectués avec des pièces d’origine Briggs & Stratton ou leur équivalent. Les dommages causés par le manque d’entretien ou l’utilisation de pièces n’étant pas d’origine ne sont pas couverts par la garantie.

**Usure normale** - Comme tout appareil mécanique, le vôtre est sujet à usure même lorsqu’il est entretenu correctement. La présente garantie ne couvre pas les réparations lorsque la durée de vie d’une pièce ou de l’appareil s’est achevée après une utilisation normale. Les articles d’entretien et d’usure, tels que les filtres, les courroies, les lames de coupe et les plaquettes de frein (excepté les plaquettes de frein du moteur) ne sont pas couverts par la garantie en raison de leur seule usure, à moins qu’ils soient sujets à des vices de matériau ou de fabrication.

**Carburant éventé ou non approuvé** - Pour fonctionner correctement, ce produit doit être alimenté avec un carburant propre conforme aux critères précisés dans le manuel de l’opérateur. Les dommages au moteur ou à l’équipement dus à un carburant éventé ou à l’utilisation de carburants non approuvés (comme les mélanges d’éthanol E15 ou E85) ne sont pas couverts par la garantie.

**Exclusions supplémentaires** - La présente garantie exclut les dommages résultant d’un accident, d’une utilisation abusive, de modifications, de changements, d’un entretien inadéquat, du gel ou d’une détérioration chimique. Les accessoires ou fixations non emballés à l’origine avec le produit sont aussi exclus. La garantie ne couvre pas l’équipement utilisé comme alimentation principale à la place de l’alimentation électrique de secteur ou pour les applications de maintien des fonctions vitales. Cette garantie ne comprend pas les appareils ou les moteurs usagés, réusinés, de seconde main ou de démonstration. Cette garantie exclut toute défaillance due à une catastrophe naturelle ou à toute autre force majeure hors du contrôle du fabricant.

80015795 (Rév. -)

## Garantie Contrôle des émissions Californie, US Environmental Protection Agency (USEPA) et Énoncé de garantie du dispositif antipollution de Briggs & Stratton Corporation

Pour les modèles de moteur Briggs & Stratton avec désignation de coupe « B » ou « G »

(Représentation Modèle – Type – Coupe xxxxxx xxxx Bx ou xxxxxx xxxx Gx)

Le California Air Resources Board (CARB), l’USEPA et Briggs & Stratton (B&S) ont le plaisir d’expliquer la garantie du dispositif antipollution installé sur ce moteur année modèle 2017 à 2019. En Californie, les nouveaux petits moteurs hors route et les

gros moteurs à explosion de cylindrée de moins de ou égal à 1,0 litre doivent être conçus, fabriqués et équipés pour satisfaire aux normes sévères anti-smog de l'état. B&S doit garantir le dispositif antipollution de votre moteur pendant la durée indiquée ci-dessous à condition qu'il n'y ait pas eu d'abus, de négligence, ou de mauvais entretien de votre moteur.

Votre dispositif antipollution d'échappement peut comprendre des pièces comme le carburateur ou le système d'injection de combustible, le système d'allumage et le convertisseur catalytique. Il peut aussi y avoir des tuyaux, des courroies, des connecteurs, des capteurs et d'autres dispositifs en rapport avec les émissions.

Dans le cas d'un défaut couvert par la garantie, B&S réparera votre petit moteur sans frais, y compris le diagnostic, les pièces et la main-d'œuvre.

### Couverture de garantie du fabricant :

Les petits moteurs hors route et les gros moteurs à explosion de cylindrée de moins de ou égal à 1,0 litre sont garantis pendant deux ans, ou pendant la période figurant sur le certificat de garantie respectif du moteur ou du produit selon la période la plus longue. Si une pièce reliée au dispositif antipollution de votre moteur B&S est défectueuse, B&S la réparera ou la remplacera.

### Responsabilités du propriétaire dans le cadre de la garantie :

- En tant que propriétaire de petit moteur, vous êtes responsable de l'exécution de l'entretien requis indiqué dans le manuel d'utilisation. B&S recommande de conserver tous les reçus en rapport avec l'entretien du petit moteur; toutefois, B&S ne peut refuser la garantie uniquement parce que vous êtes dans l'impossibilité de produire les reçus ou que vous n'avez pas effectué toutes les étapes de l'entretien prévu.
- Néanmoins, vous devez savoir, en tant que propriétaire de moteur, que B&S peut refuser le bénéfice de la garantie si votre moteur, ou une pièce, est défaillant en raison d'abus, de négligence, d'entretien inadéquat ou de modifications non approuvées.
- Dès qu'un problème survient, vous avez la responsabilité de faire examiner votre moteur dans un centre de distribution B&S, un centre de service ou une entité équivalente, selon le cas, dès qu'un problème existe. Les réparations couvertes par la garantie doivent être effectuées dans un délai raisonnable, n'excédant pas 30 jours. Si vous avez des questions au sujet de vos droits et de vos responsabilités dans le cadre de la garantie, veuillez communiquer avec un représentant de Briggs & Stratton au 1 800 444-7774 (aux É.-U. et au Canada) ou BRIGGSandSTRATTON.com.

## Provisions de garantie du contrôle d'émissions Briggs & Stratton

Les dispositions qui suivent sont spécifiques à la couverture de garantie du dispositif antipollution. Il s'agit d'un ajout à la

garantie sur les moteurs de B&S pour les moteurs non réglementés figurant dans le manuel d'utilisation.

### 1. Pièces d'émissions garanties

La couverture de cette garantie n'englobe que les pièces énumérées ci-dessous (les pièces du dispositif antipollution) dans la mesure où ces pièces se trouvaient sur le moteur B&S.

#### a. Système de contrôle d'alimentation en carburant

- Dispositif d'enrichissement pour démarrage à froid (étrangleur à glissement)
- Carburateur ou système d'injection de combustible
- Capteur d'oxygène
- Commandes électroniques
- Module de la pompe à carburant

#### b. Circuit d'entrée d'air

- Filtre à air
- Collecteur d'admission

#### c. Système d'allumage

- Bougie(s) d'allumage
- Système d'allumage à magnéto

#### d. Système de catalyseur

- Convertisseur catalytique
- Collecteur d'échappement
- Système d'injection d'air ou soupape d'impulsion

#### e. Éléments divers utilisés dans les systèmes précédemment mentionnés

- Soupapes et interrupteurs de dépression, de température, de position, à délai critique
- Connecteurs et dispositifs

### 2. Durée de la couverture

La couverture est pour une période de deux ans à partir de la date d'achat originale ou pour la durée indiquée à l'énoncé de garantie du produit ou du moteur selon l'éventualité la plus longue. B&S garantit à l'acheteur original et à chaque acquéreur subséquent, que le moteur est conçu, fabriqué, et équipé de manière à se conformer à toutes les réglementations applicables adoptées par le Air Resources Board, qu'il est exempt de vices de fabrication et de matériaux qui pourraient causer la défaillance d'une pièce sous garantie, et qu'il est identique à tous égards au moteur décrit dans la demande de certification du fabricant. La période de garantie commence à la date de l'achat initial du moteur.

La garantie sur les pièces antipollution est la suivante :

- Toute pièce couverte par la garantie dont le remplacement n'est pas planifié dans le cadre de l'entretien obligatoire décrit dans le manuel d'utilisation fourni est garantie pendant la période indiquée ci-dessus. Si une telle pièce est défectueuse pendant la période de couverture de la garantie, la pièce sera réparée ou remplacée par B&S sans frais pour le propriétaire. Une telle pièce réparée ou

remplacée sous la garantie sera couverte pour la période restante de la garantie.

- Toute pièce couverte par la garantie dont seul l'examen est planifié dans le manuel d'utilisation fourni est garantie pendant la période indiquée ci-dessus. Cette pièce réparée ou remplacée dans le cadre de la garantie restera garantie pendant la période de garantie restante.
- Toute pièce couverte par la garantie dont le remplacement fait partie de l'entretien obligatoire dans le manuel d'utilisation est garantie pendant la période précédant le premier point de remplacement prévu pour cette pièce. Si la pièce est défectueuse avant le remplacement prévu, la pièce sera réparée ou remplacée par B&S sans frais pour le propriétaire. Une telle pièce réparée ou remplacée au titre de la garantie sera couverte pour la période restante avant le premier remplacement prévu de cette pièce.
- Les pièces ajoutées ou modifiées ne faisant pas partie d'une exemption par le Air Resources Board ne doivent pas être utilisées. L'utilisation de pièces ajoutées ou modifiées qui ne font pas l'objet d'une exemption, sera une cause de refus à une demande de garantie. Le fabricant n'a pas la responsabilité de garantir les défauts des pièces garanties causées par l'utilisation de pièces ajoutées ou modifiées qui ne font pas partie d'une exemption..

### 3. Couverture indirecte

La couverture s'étend à toute défaillance de l'un des composants du moteur consécutive à la défectuosité d'une des pièces garanties encore couverte par la garantie.

### 4. Réclamations et exclusions de couverture

Les demandes de compensation sous garantie devront être remplies selon les provisions de la Politique de garantie des moteurs de Briggs & Stratton. La couverture de garantie ne s'applique pas aux défectuosités de pièces de contrôle d'émissions qui ne sont pas des pièces d'origine B&S ou pour raison d'abus, de négligence ou d'entretien inadéquat comme stipulé dans la Politique de garantie du moteur B&S. B&S ne se tiendra pas responsable de la couverture de garantie de pièces de contrôle d'émissions défectueuses en raison d'utilisation de pièce modifiée ou non approuvée.

## Consulter l'information concernant la période de durabilité des émissions et l'indice d'air

Les renseignements concernant la période de durabilité des émissions et l'indice de pollution atmosphérique doivent être fournis avec les moteurs qui répondent aux normes **Relatives aux émissions de la** California Air Resources Board (CARB). Briggs & Stratton rend cette information disponible aux consommateurs sur les étiquettes des émissions. L'étiquette des émissions du moteur fournit des renseignements sur la certification.

**La période de durabilité des émissions** décrit le nombre d'heures pendant lesquelles le moteur peut fonctionner en respectant les normes relatives aux émissions, en supposant que l'entretien est effectué conformément au manuel d'utilisation. Les catégories utilisées sont les suivantes :

### Modéré :

Les moteurs de 80 cc de cylindrée et moins peuvent fonctionner pendant 50 heures tout en respectant la norme relative aux émissions. Les moteurs de plus de 80 cc de cylindrée peuvent fonctionner pendant 125 heures tout en respectant la norme relative aux émissions.

### Intermédiaire :

Les moteurs de 80 cc de cylindrée et moins peuvent fonctionner pendant 125 heures tout en respectant la norme relative aux émissions. Les moteurs de plus de 80 cc de cylindrée peuvent fonctionner pendant 250 heures tout en respectant la norme relative aux émissions.

### Prolongé :

Les moteurs de 80 cc de cylindrée et moins peuvent fonctionner pendant 300 heures tout en respectant la norme relative aux émissions. Les moteurs de plus de 80 cc de cylindrée peuvent fonctionner pendant 500 heures tout en respectant la norme relative aux émissions. Par exemple, l'utilisation d'une tondeuse poussée est d'environ 20 à 25 heures par année. Donc, la **période de durabilité des émissions** d'un moteur équivaut à une période 10 à 12 ans.

Les moteurs Briggs & Stratton sont certifiés conformes aux normes de phase 2 ou phase 3 sur les émissions de l'USEPA (United States Environmental Protection Agency). La période de conformité des émissions indiquée sur l'étiquette de conformité des émissions indique le nombre d'heures de fonctionnement pendant lesquelles le moteur a démontré qu'il respectait les exigences fédérales en matière d'émissions.

### Pour les moteurs de moins de 80 cc de cylindrée :

Catégorie C = 50 heures, Catégorie B = 125 heures, Catégorie A = 300 heures

### Pour les moteurs supérieurs à 80 cc de cylindrée et inférieurs à 225 cc de cylindrée :

Catégorie C = 125 heures, Catégorie B = 250 heures, Catégorie A = 500 heures

### Pour les moteurs de 225 cc et plus de cylindrée :

Catégorie C = 250 heures, Catégorie B = 500 heures, Catégorie A = 1 000 heures

80008114 (Rév. F)

Not for  
Reproduction

Not for  
Reproduction

Not for  
Reproduction