

en **Schematic Manual**
MAXI-HEAT® 1MBTU

Not for Reproduction

TABLE OF CONTENTS

Deep Sea Control Panel Harness with Emergency Stop Schematic (119735 & 119747)	(1.1)
CAT C1.1 Engine Harness Schematic (112776)	(1.2)
Kubota D1105 Engine Harness Schematic (110112)	(1.3)
6/4 50/60Hz 8kW Generator Cord Schematic (119748)	(1.4)
AC Distribution Blocks to Front and Back Heaters Schematic (119750)	(1.5)
Three Fuel Gauges Schematic (119738)	(1.6)
One Fuel Gauge Schematic (119736)	(1.7)
Three Fuel Tank Two Door Switch Schematic (119741)	(1.8)
One Fuel Tank Two Door Switch Schematic (119744)	(1.9)
DC Distribution Blocks 2 Heated Fuel Water Separators Schematic (119739)	(1.10)
Heater Control Cord Two Heater Schematic (119746)	(1.11)
Tail Light Harness Schematic (119751)	(1.12)
Trailer Break Away Wire Harness Schematic (119752)	(1.13)

Not for Reproduction

MAXI-HEAT® 1MBTU

CONNECTION TABLE

Schematic Page	1st Connection Page(s)	2nd Connection Page(s)	3rd Connection Page(s)	4th Connection Page(s)
Deep Sea Control Panel Harness with Emergency Stop Schematic (1.1)	(1.4-2nd)	(1.2-1st) or (1.3-1st)	(1.2-2nd) or (1.3-2nd)	(1.8-1st) or (1.9-1st)

Schematic Page	5th Connection Page(s)	6th Connection Page(s)	7th Connection Page(s)	8th Connection Page(s)
Deep Sea Control Panel Harness with Emergency Stop Schematic (1.1)	(1.6-2nd) or (1.7-2nd)	(1.6-3rd) or None	(1.6-4th) or None	(1.6-5th) or (1.7-3rd)

Schematic Page	9th Connection Page(s)	10th Connection Page(s)	11th Connection Page(s)	12th Connection Page(s)
Deep Sea Control Panel Harness with Emergency Stop Schematic (1.1)	(1.2-3rd) or (1.3-3rd)	(1.10-2nd)	(1.10-1st)	(1.6-1st) or (1.7-1st)

Schematic Page	13th Connection Page(s)	14th Connection Page(s)	15th Connection Page(s)	16th Connection Page(s)
Deep Sea Control Panel Harness with Emergency Stop Schematic (1.1)	(1.10-4th)	n/a	n/a	n/a

Schematic Page	1st Connection Page(s)	2nd Connection Page(s)	3rd Connection Page(s)	4th Connection Page(s)
CAT C1.1 Engine Harness Schematic (1.2)	(1.1-2nd)	(1.1-3rd)	(1.1-9th)	n/a
Kubota D1105 Engine Harness Schematic (1.3)	(1.1-2nd)	(1.1-3rd)	(1.1-9th)	n/a

CONNECTION TABLE

Schematic Page	1st Connection Page(s)	2nd Connection Page(s)	3rd Connection Page(s)	4th Connection Page(s)
6/4 50/60Hz 8kW Generator Cord Schematic (1.4)	(1.5-1st)	(1.1-1st)	n/a	n/a
AC Distribution Blocks to Front and Back Heaters Schematic (1.5)	(1.4-1st)	n/a	n/a	n/a
Three Fuel Gauges Schematic (1.6)	(1.1-12th)	(1.1-5th)	(1.1-6th)	(1.1-7th)

Schematic Page	5th Connection Page(s)	6th Connection Page(s)	7th Connection Page(s)	8th Connection Page(s)
Three Fuel Gauges Schematic (1.6)	(1.1-8th)	(1.10-3rd)	n/a	n/a

Schematic Page	1st Connection Page(s)	2nd Connection Page(s)	3rd Connection Page(s)	4th Connection Page(s)
One Fuel Gauge Schematic (1.7)	(1.1-12th)	(1.1-5th)	(1.1-8th)	(1.10-3rd)
Three Fuel Tank Two Door Switch Schematic (1.8)	(1.1-4th)	n/a	n/a	n/a
One Fuel Tank Two Door Switch Schematic (1.9)	(1.1-4th)	n/a	n/a	n/a
DC Distribution Blocks 2 Heated Fuel Water Separators Schematic (1.10)	(1.1-11th)	(1.1-10th)	(1.6-6th) or (1.7-4th)	(1.1-13th)

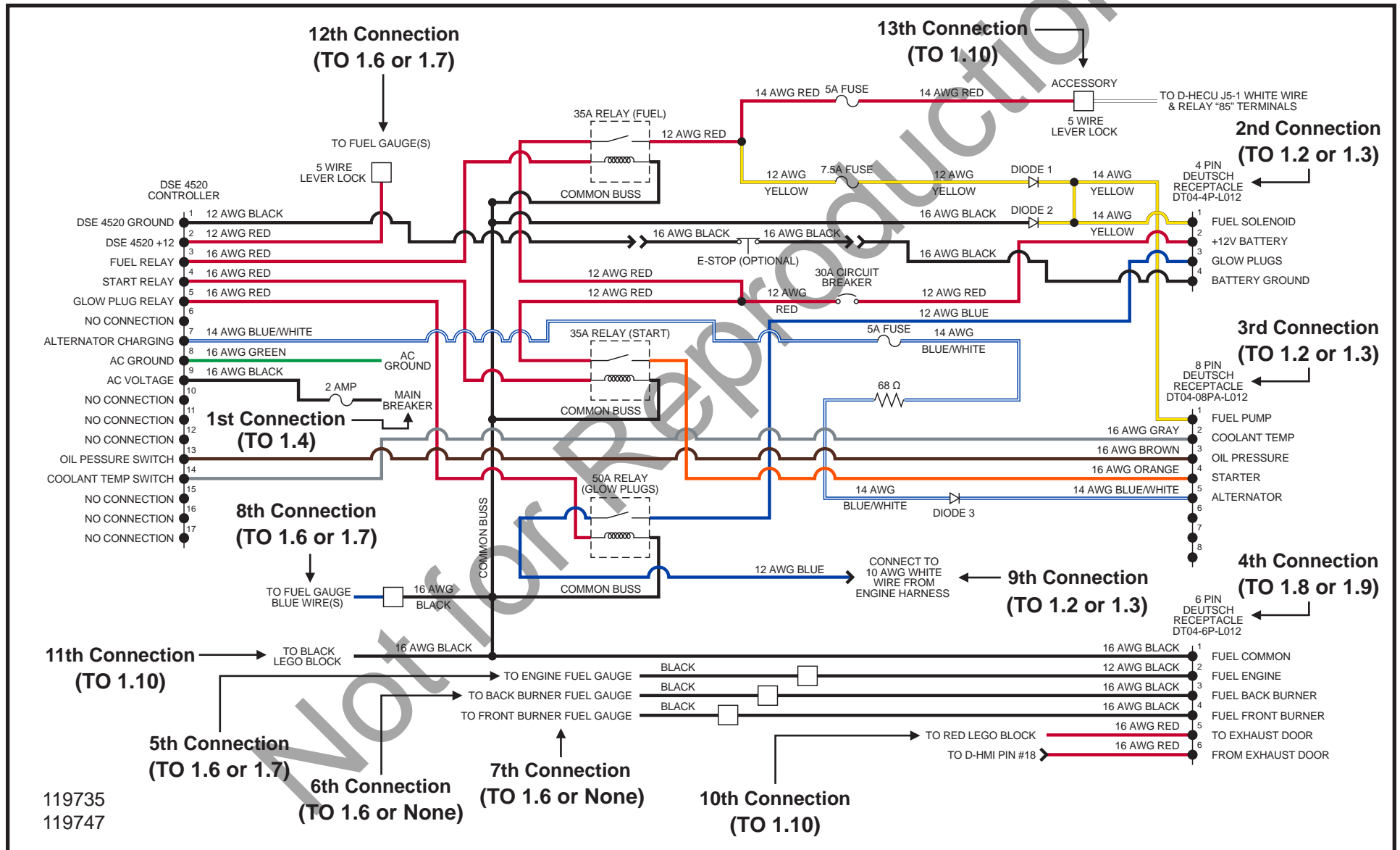
MAXI-HEAT[®] 1MBTU

CONNECTION TABLE

Schematic Page	1st Connection Page(s)	2nd Connection Page(s)	3rd Connection Page(s)	4th Connection Page(s)
Heater Control Cord Two Heater Schematic (1.11)	n/a	n/a	n/a	n/a
Tail Light Harness Schematic (1.12)	(1.13-1st)	(1.13-2nd)	n/a	n/a
Trailer Break Away Wire Harness Schematic (1.13)	(1.12-1st)	(1.12-2nd)	n/a	n/a

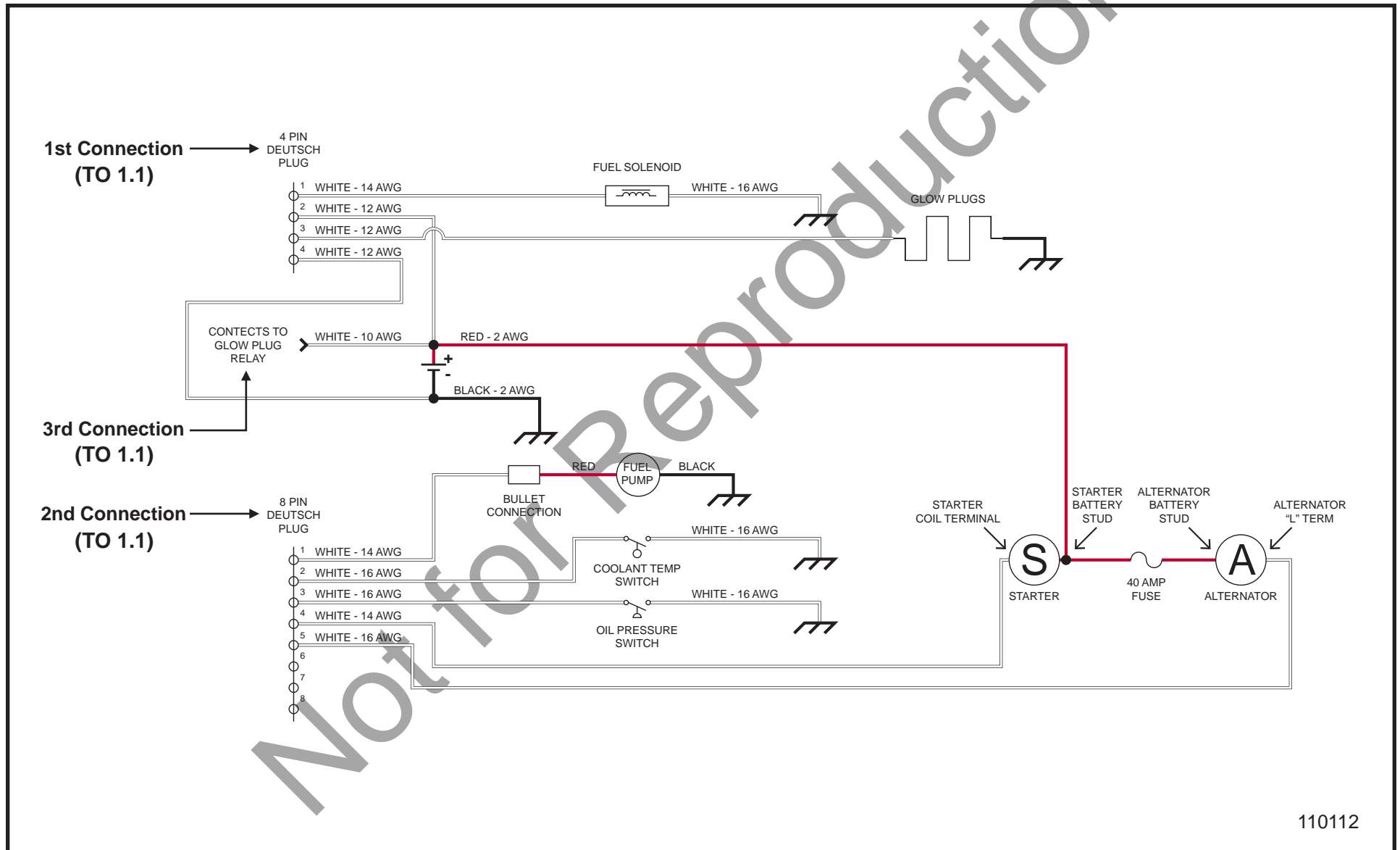
Not for Reproduction

1.1 - Deep Sea Control Panel Harness with Emergency Stop Schematic

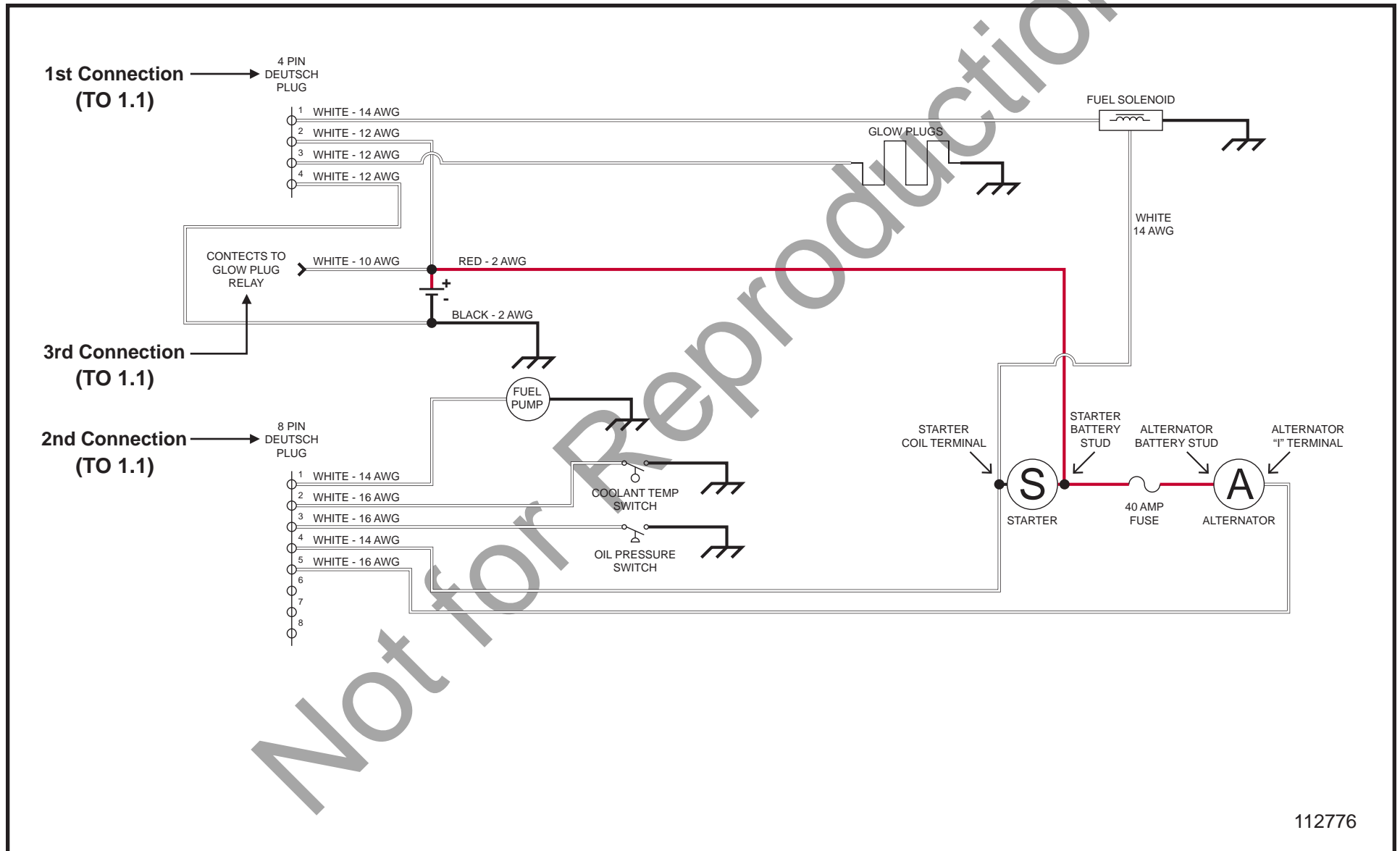


MAXI-HEAT® 1MBTU

1.2 - CAT C1.1 Engine Harness Schematic

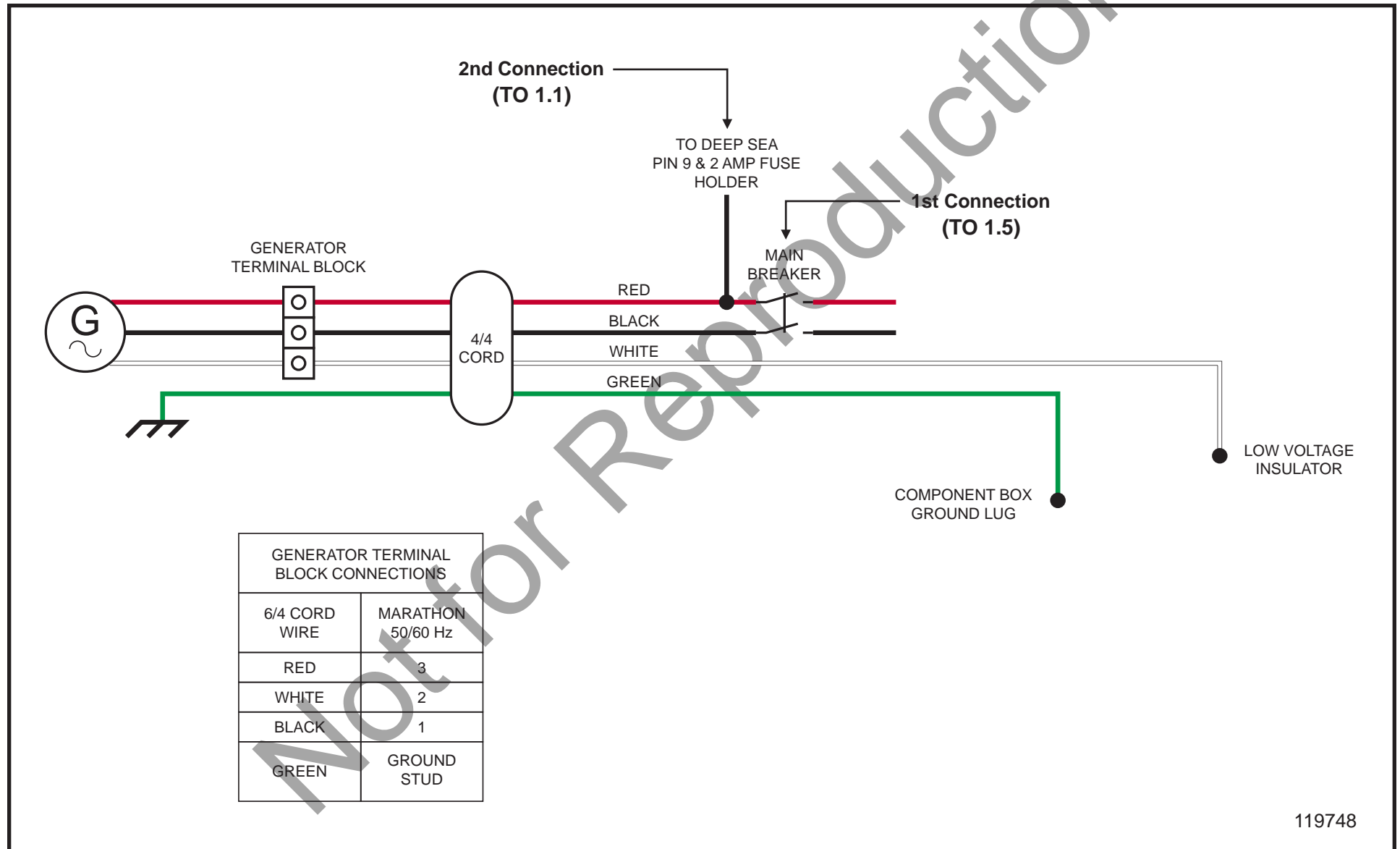


1.3 - Kubota D1105 Engine Harness Schematic

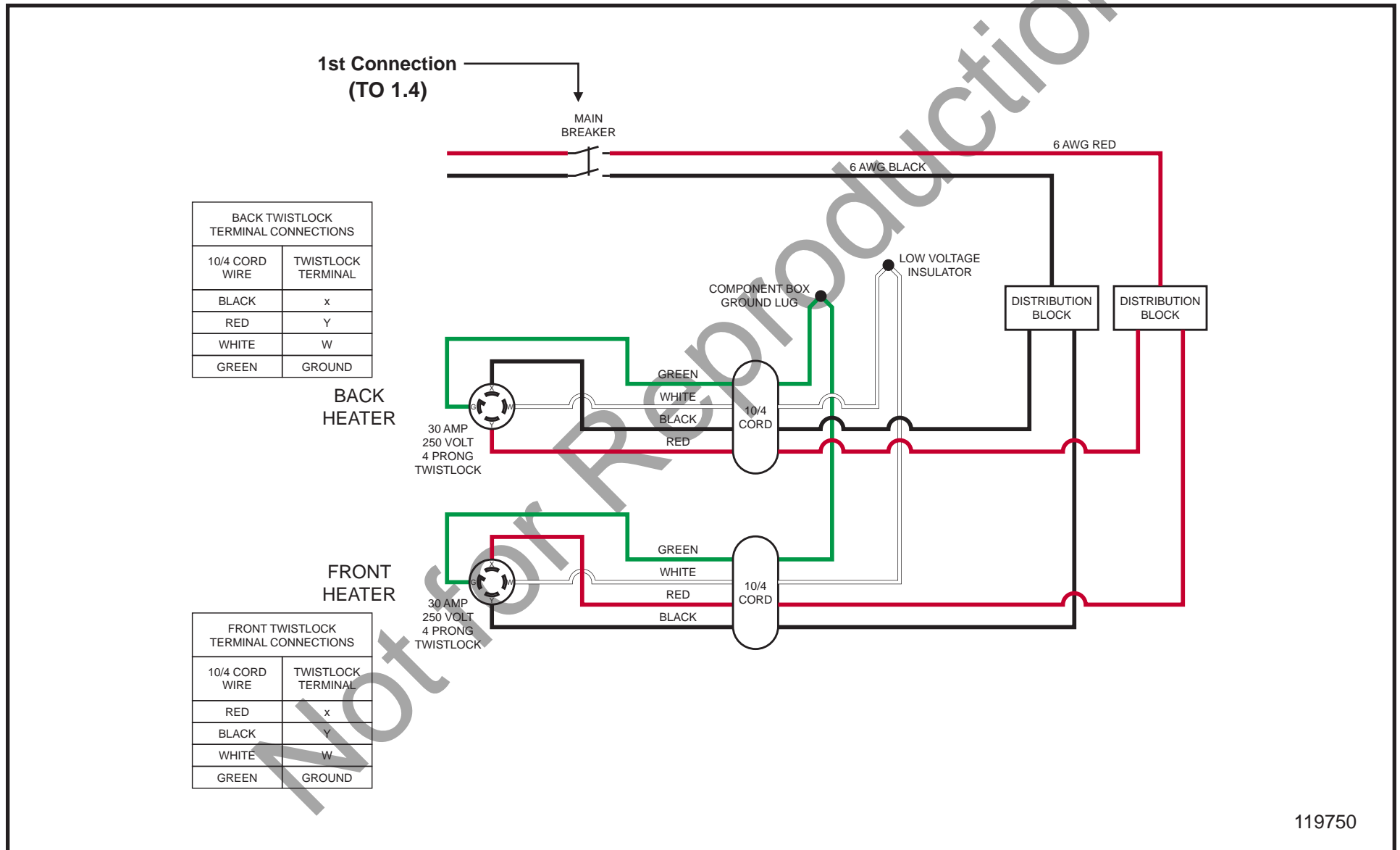


MAXI-HEAT® 1MBTU

1.4 - 6/4 50/60Hz 8kW Generator Cord Schematic



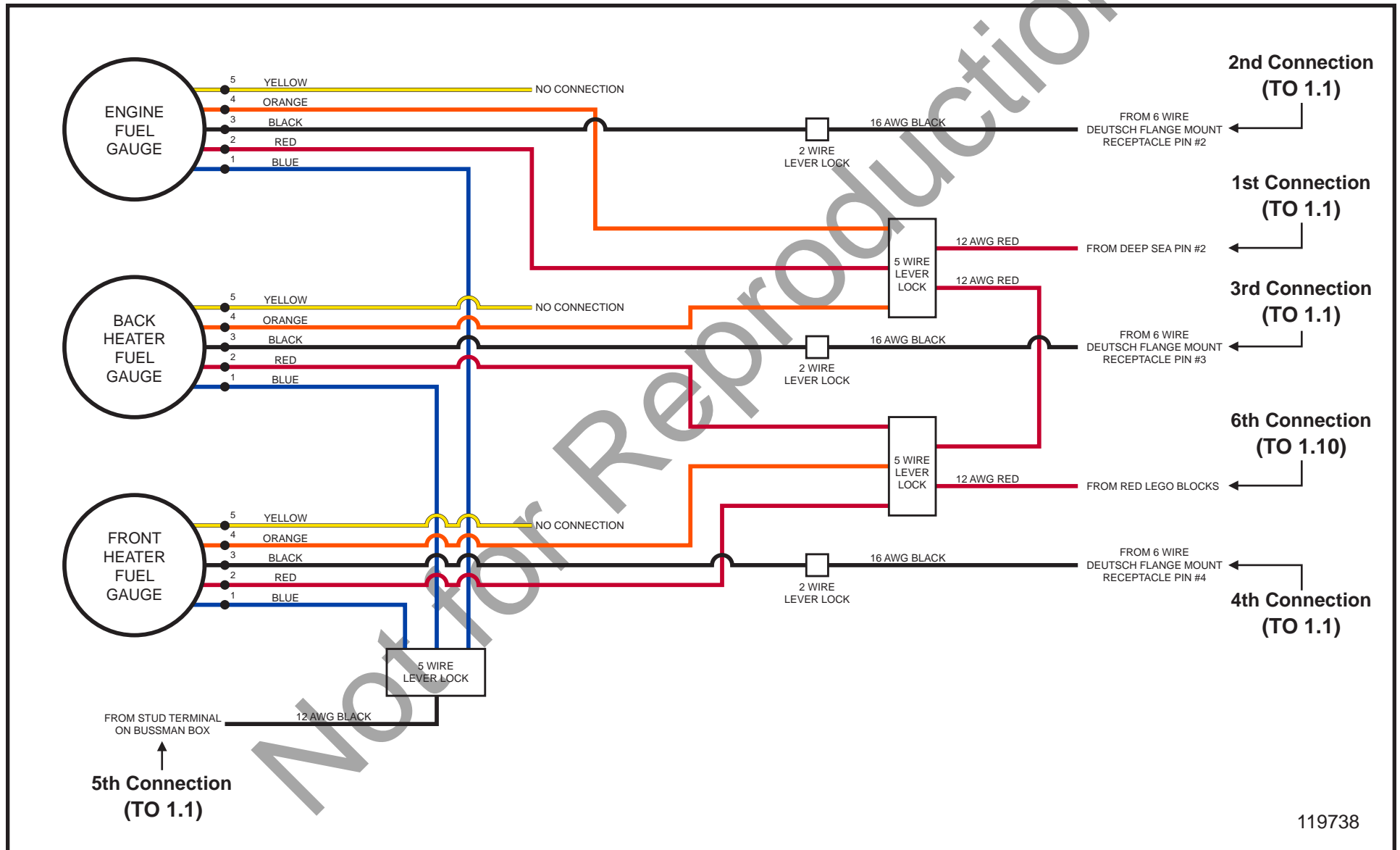
1.5 - AC Distribution Blocks to Front and Back Heaters Schematic



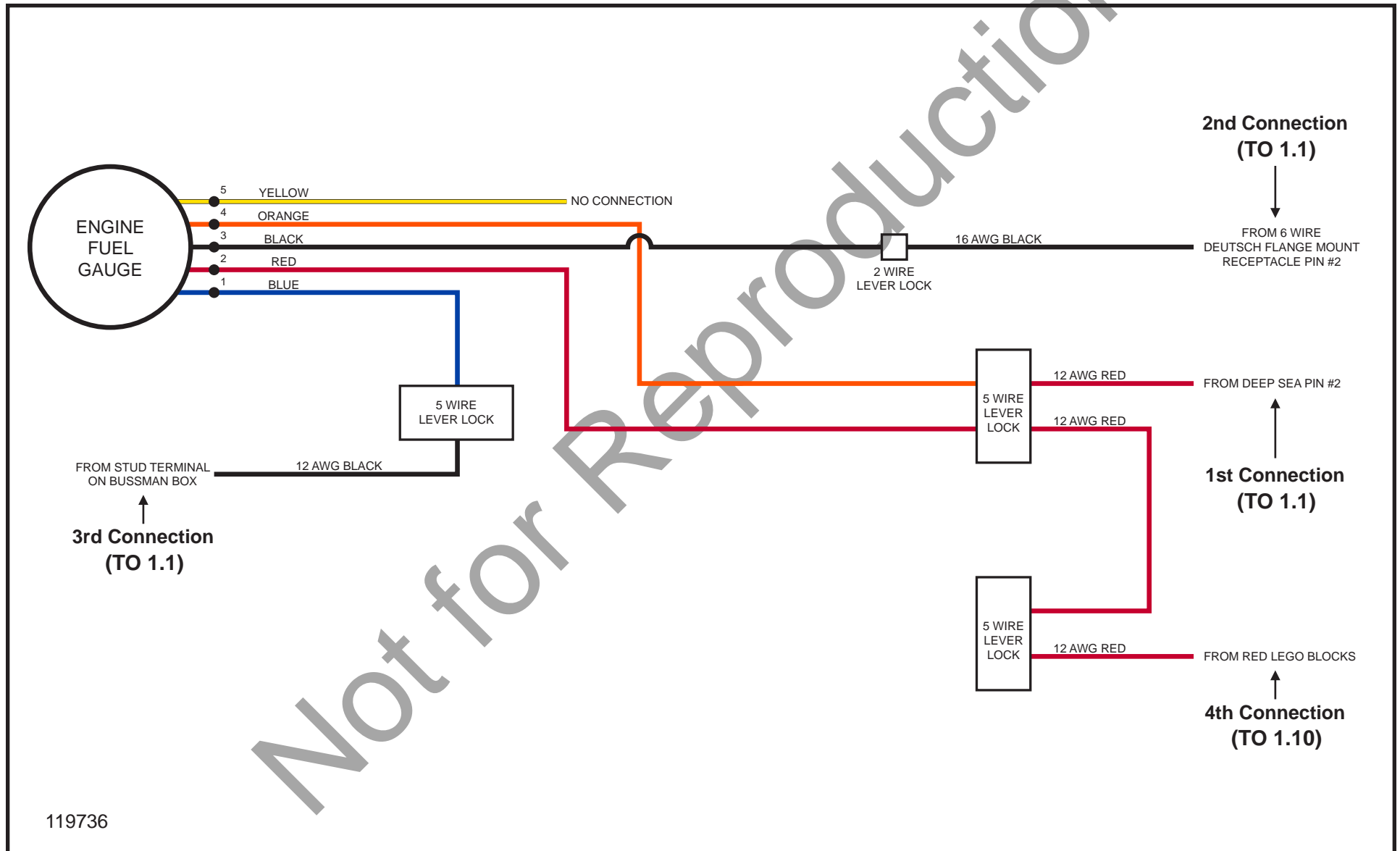
119750

MAXI-HEAT® 1MBTU

1.6 - Three Fuel Gauges Schematic

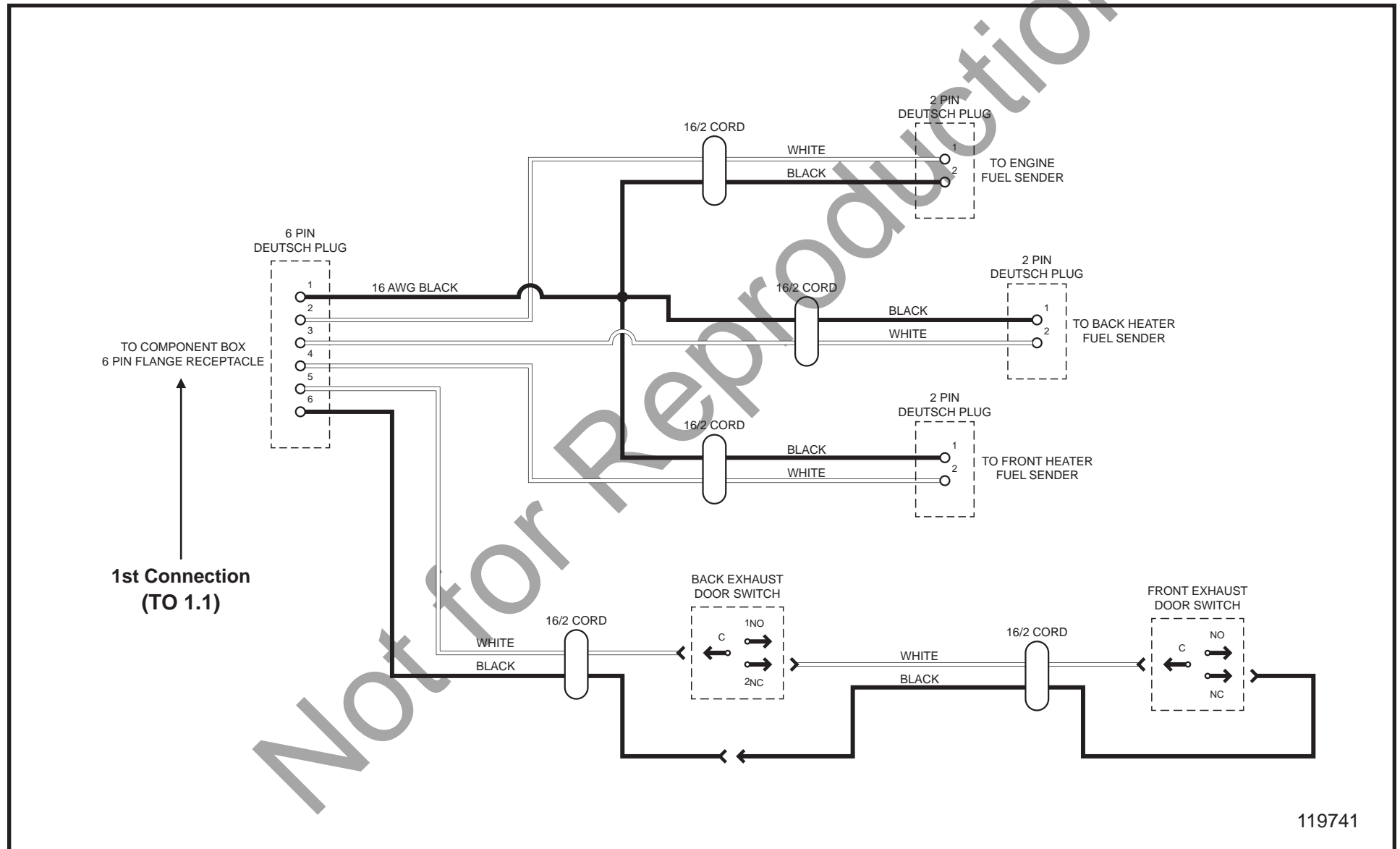


1.7 - One Fuel Gauge Schematic

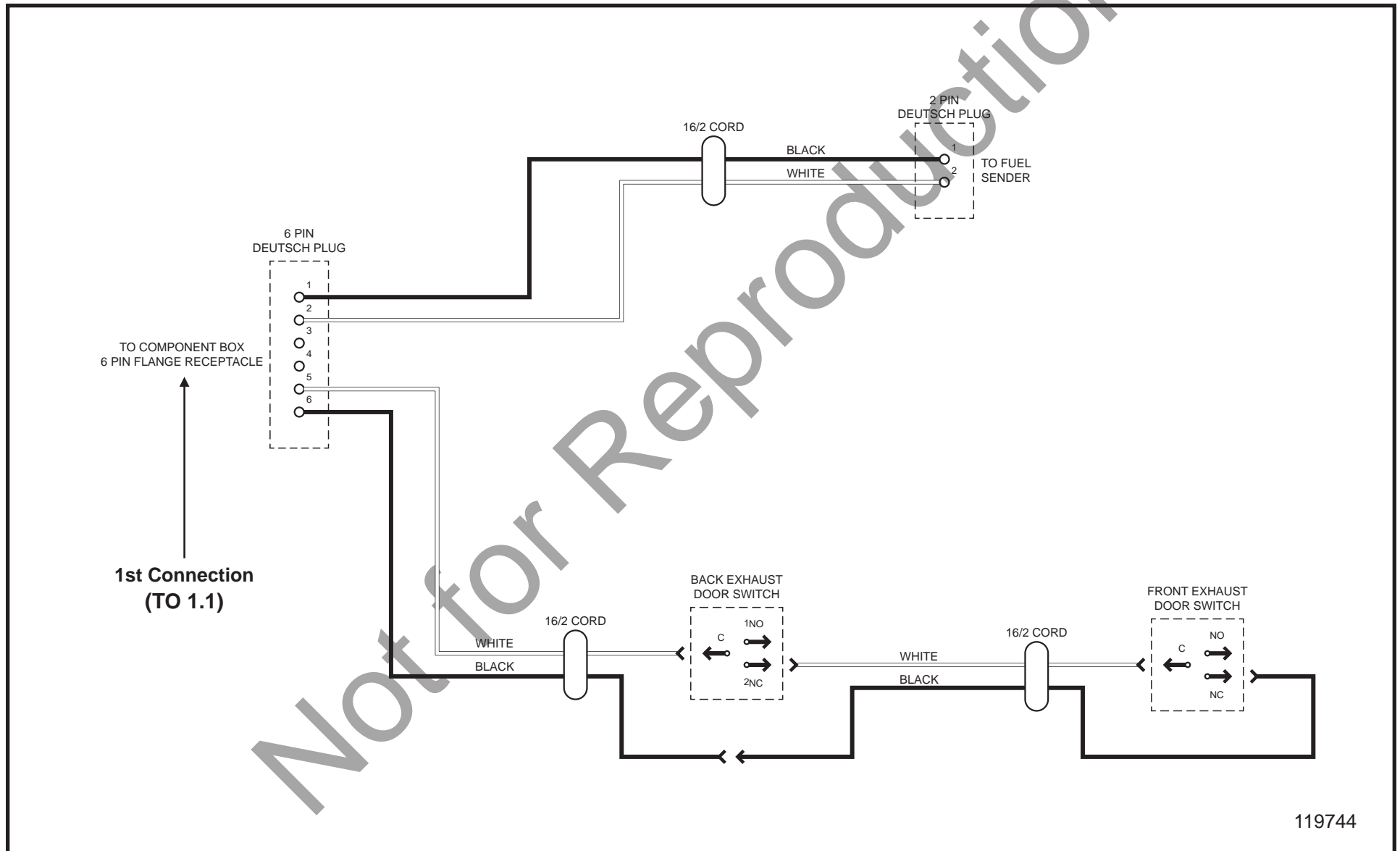


MAXI-HEAT® 1MBTU

1.8 - Three Fuel Tank Two Door Switch Schematic

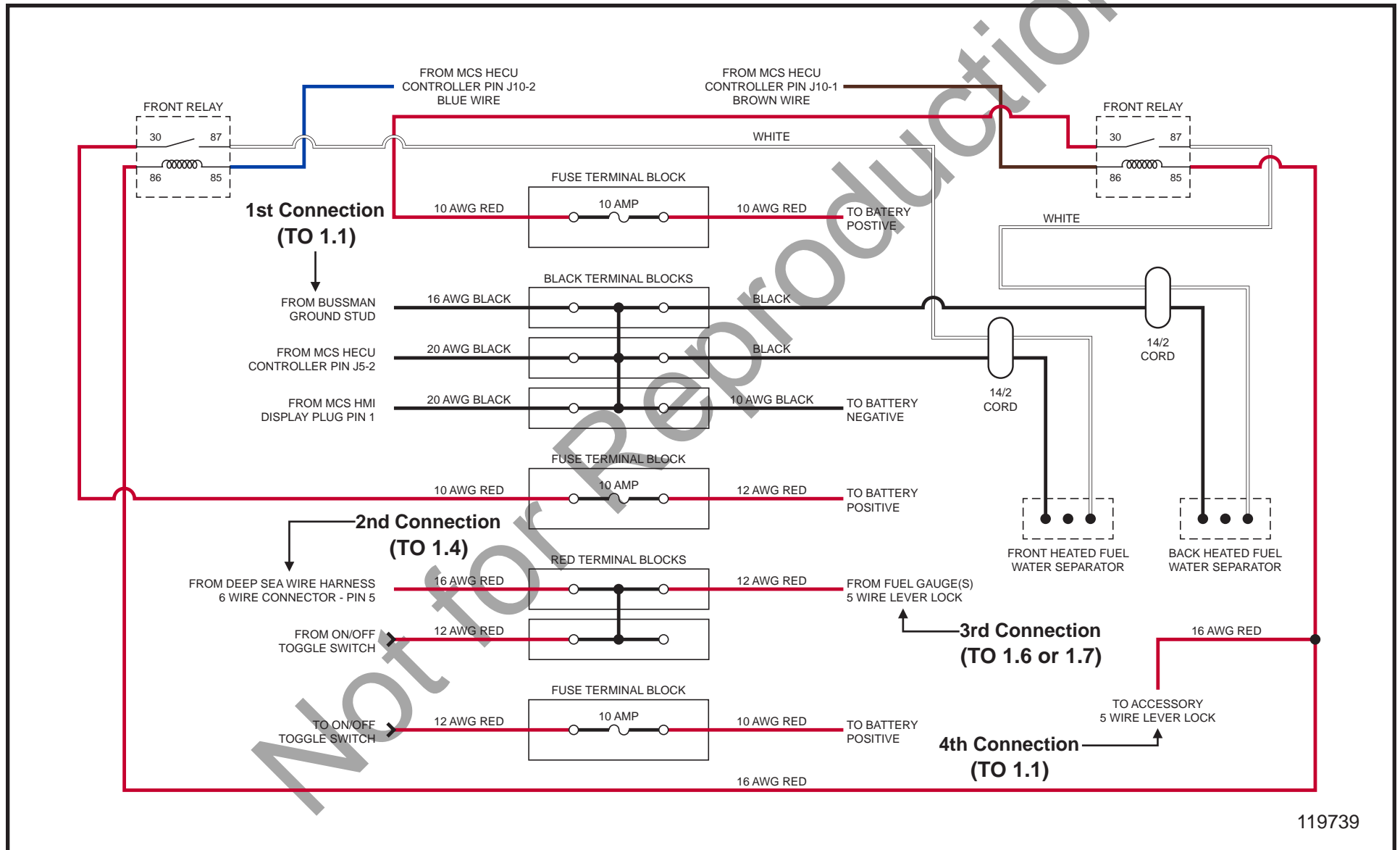


1.9 - One Fuel Tank Two Door Switch Schematic

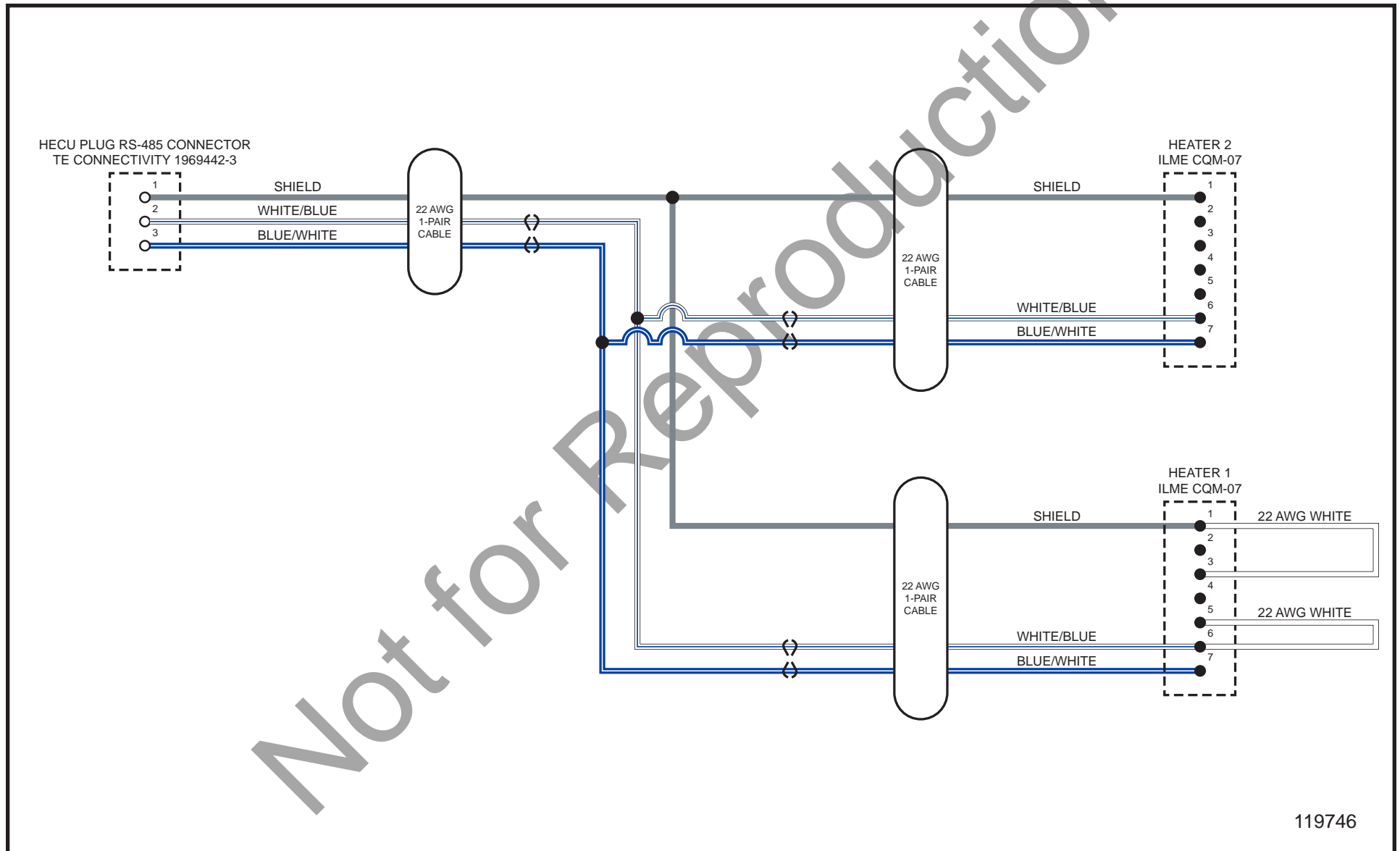


MAXI-HEAT® 1MBTU

1.10 - DC Distribution Blocks 2 Heated Fuel Water Separators Schematic



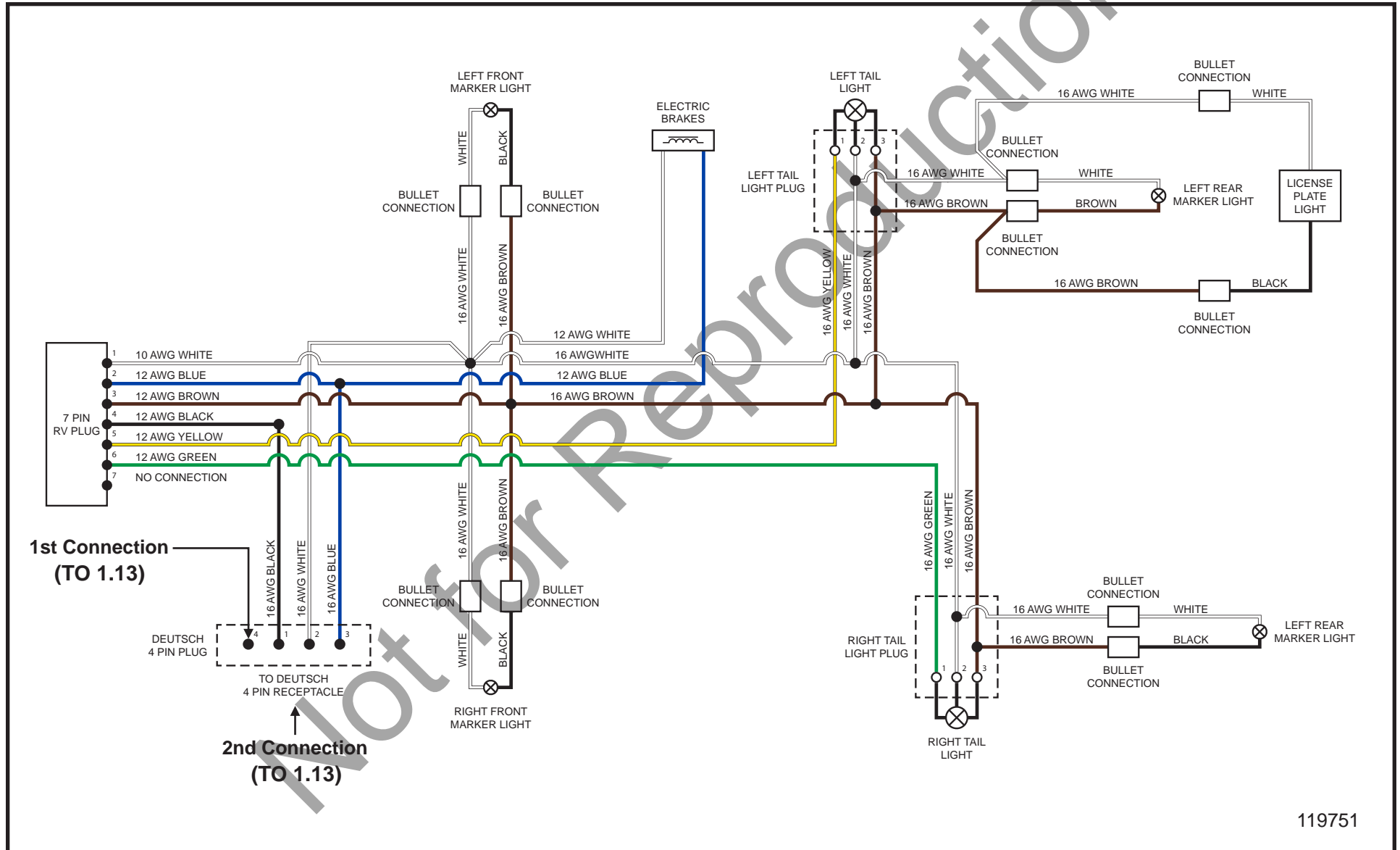
1.11 - Heater Control Cord Two Heater Schematic



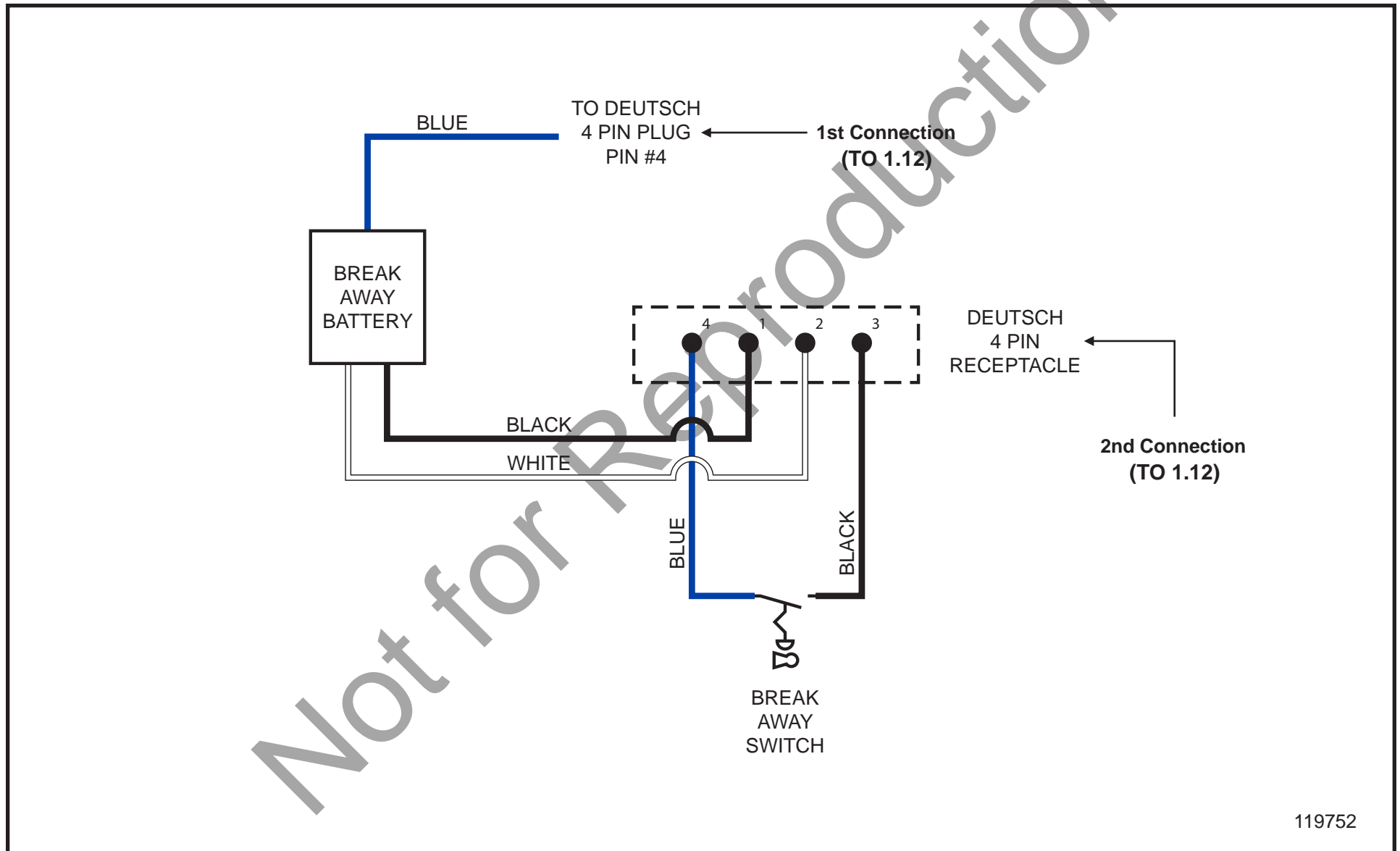
119746

MAXI-HEAT® 1MBTU

1.12 - Tail Light Harness Schematic



1.13 - Trailer Break Away Wire Harness Schematic



119752

MAXI-HEAT® 1MBTU

Not for Reproduction

MAXI-HEAT[®] 1MBTU



1502 West 4th Avenue
Holdrege, NE 68949

phone: (308) 995-4495 • toll free: (800) 562-1373
fax: (308) 995-5887

www.allmand.com

Not for Reproduction