

ATTACHMENT OPERATOR'S MANUAL



42" Snow Blade with Sub-Frame/Hitch 1696092-00

Not for
Reproduction

Table of Contents

Hardware Bag Contents.....	4
Box Contents	5
Operator Safety	6
Assembly	7
Operation.....	13
Maintenance.....	14
Warranty	15

Note: In these instructions, “front”, “back”, “left” and “right” are referenced from the operator’s position.

Note: **Capital letters** refer to new hardware. **Lower case letters** refer to existing parts and hardware.

Not for
Reproduction

Hardware Bag Contents

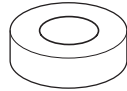
A - COTTER PIN
 .125" x 1.0"
 (Qty. 2)



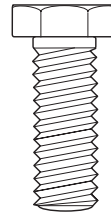
B - HAIR PIN
 (Qty. 8)



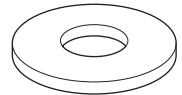
C - SPACER
 .51" ID x 1.0" OD x .26" THK
 (Qty. 1)



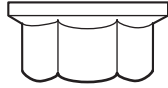
D - CAPSCREW
 1/2"-13 x 1.25"
 (Qty. 1)



E - WASHER
 .56" ID x 1.37" OD x .11" THK
 (Qty. 2)



F - NUT, WHIZ LOCK
 1/2"-13
 (Qty. 1)



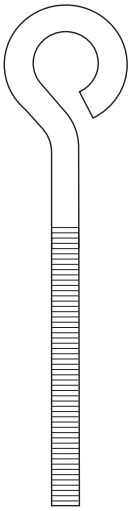
G - COTTER PIN
 .094" x .75"
 (Qty. 1)



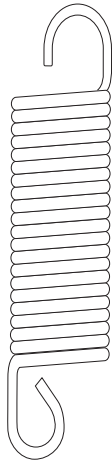
H - SPRING EXTENSION
 (Qty. 1)



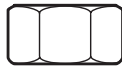
I - EYE BOLT
 (Qty. 1)



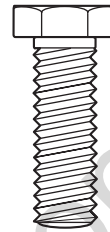
J - BLADE SPRING
 (Qty. 1)



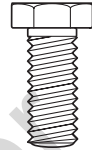
K - NUT, Hex
 .31"-18
 (Qty. 2)



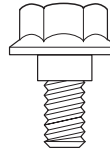
L - CAPSCREW
 5/16"-18 X 1.0"
 (Qty. 7)



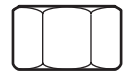
M - CAPSCREW
 5/16"-18 X .75"
 (Qty. 1)



O - Shoulder Bolt
 3/8"-24 X .910"
 (Qty. 1)



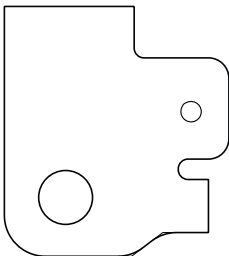
P - NUT
 3/8"-24
 (Qty. 1)



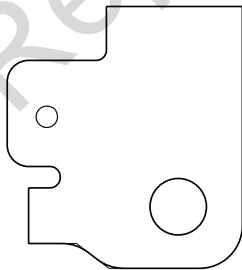
N - NUT, ESNA
 5/16"-18
 (Qty. 5)



Q - RIGHT HITCH SUPPORT



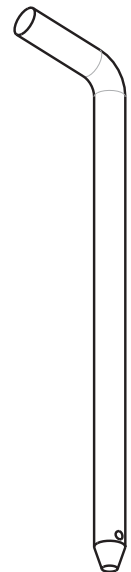
R - LEFT HITCH SUPPORT



S - LATCH ROD
 (Qty. 2)



T - HITCH LATCH ROD
 (Qty. 1)



Box Contents

AA - REAR SUPPORT ROD



BB - SUB-FRAME ASSEMBLY



CC - BLADE ASSEMBLY



DD - PIVOT ASSEMBLY



EE - TOP ANGLE ROD



FF - FRONT ANGLE ROD



II - GREASE



GG - LIFT SUPPORT ASSEMBLY



HH - SHORT LIFT BAR ASSEMBLY




JJ- HANDLE



Operator Safety



Read these safety rules and follow them closely. Failure to obey these rules could result in loss of control of unit, severe personal injury or death to you, or bystanders, or damage to property or equipment. The triangle  in text signifies important cautions or warnings which must be followed.

GENERAL WARNING

- Know the unit's controls and how to stop quickly. **READ THE OPERATOR'S MANUALS.**
- Read and obey all safety decals.
- Only allow responsible adults, who are familiar with the instructions, to operate the unit.
- Disengage the PTO. Shut off the engine and wait for all moving parts to stop before attaching, adjusting, or disconnecting any part of the collection system.
- Use only attachments or accessories designed for your machine. See your dealer for a complete list of recommended attachments or accessories.
- Keep the area of operation clear of all persons, particularly small children, and pets.
- Never direct discharge towards bystanders.
- Make sure all hardware is secure and that snow blade is in good operating condition.
- Check to be sure all safety devices and shields are in place.
- Check that all adjustments are correct before using this unit.
- Gasoline is highly flammable. Follow all precautions listed in your tractor's operator's manual.
- Always wear eye protection while operating and performing adjustments to protect eyes from debris thrown by the blade.
- **DO NOT** turn sharply when travelling alongside a building or any object. Slow down before turning.
- **DO NOT** carry passengers.
- For added stability and to prevent tipping or loss of control:
 - a. Use reduced speed on uneven ground and when turning corners.
- **Never operate on slopes greater than 17.6% (10°).**

WARNING

ALWAYS shut off the tractor.

Before leaving the operator's position for any reason, engage the parking brake, disengage the PTO, stop the engine and remove the key.

To reduce fire hazard, keep the engine and rider free of grass, leaves and excess grease. Do not stop or park rider over dry leaves, grass or combustible materials.

CAUTION

Before you begin operating the unit be certain you have read all of the safety and operational information of this instruction sheet, as well as the Operator's Manual for the tractor and any other attachments.

Assembly

Sub-Frame Installation

1. Remove the nuts and bolts (a, Figure 1) from the right and left mower lift arms (b). Keep the nuts and bolts for Step 2.

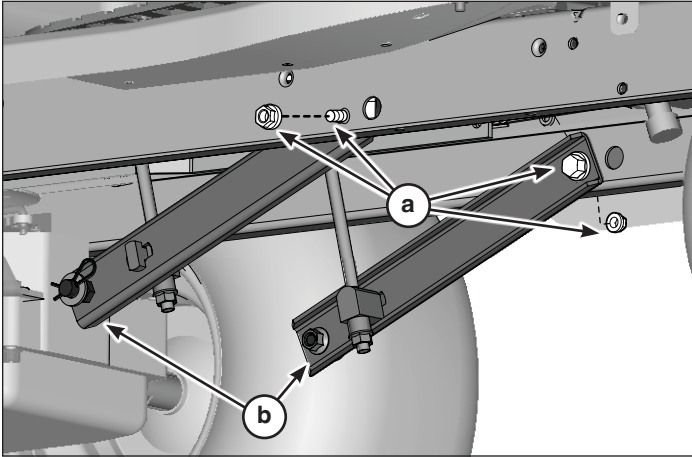


Figure 1

2. Install the right (Q, Figure 2) and left (R) rear hitch supports between the tractor and the lift arm. Secure with nuts and bolts from Step 1. On Regent models, secure the hitch supports with two capscrews (L), and two nuts (N). Make sure that the hooks (c) of the hitch supports are installed through the holes of the tractor frame.

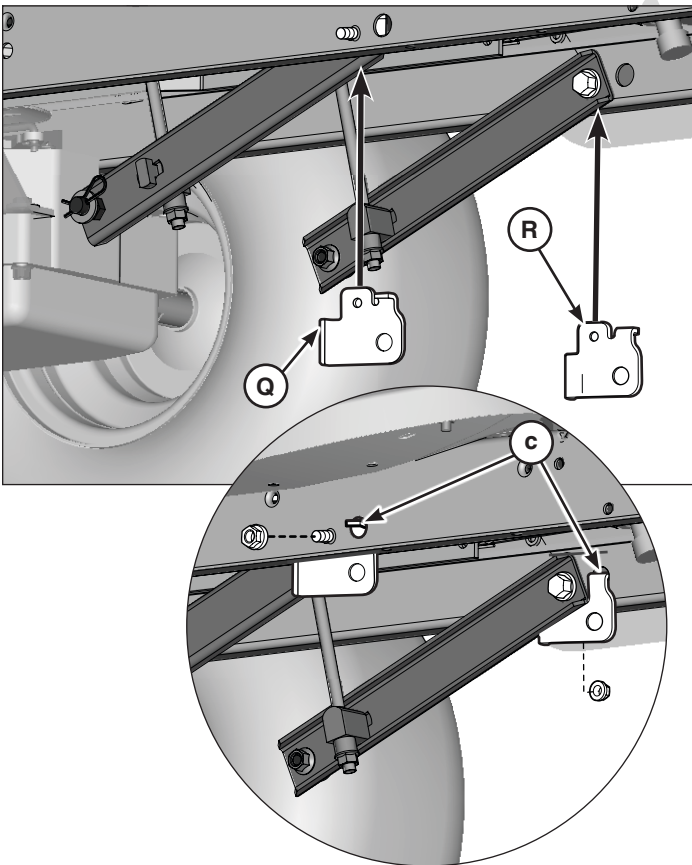


Figure 2

3. Install the rear support rod (AA, Figure 3) into the right and left rear hitch support holes. Secure with cotter pins (A). Make sure that the cotter pins are on the inside of the hitch supports.

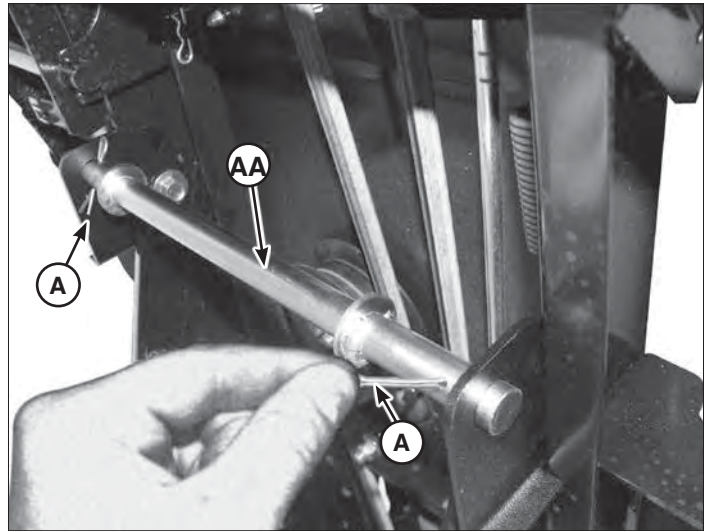


Figure 3

4. Put the sub-frame assembly (BB, Figure 4) underneath the tractor.
5. Attach the arms of the sub-frame assembly onto the rear support rod as shown in Figure 4 inset.



Figure 4

Large Frame Tractors

1. At the front of the tractor, align the top slot of the sub-frame assembly to the tractor frame "J" hooks. Install the the latch rod (**S**, Figure 5) through the slotted hole and "J" hooks.
2. Slide the remaining latch rod (**S**) through the lower hole on the sub-frame assembly.

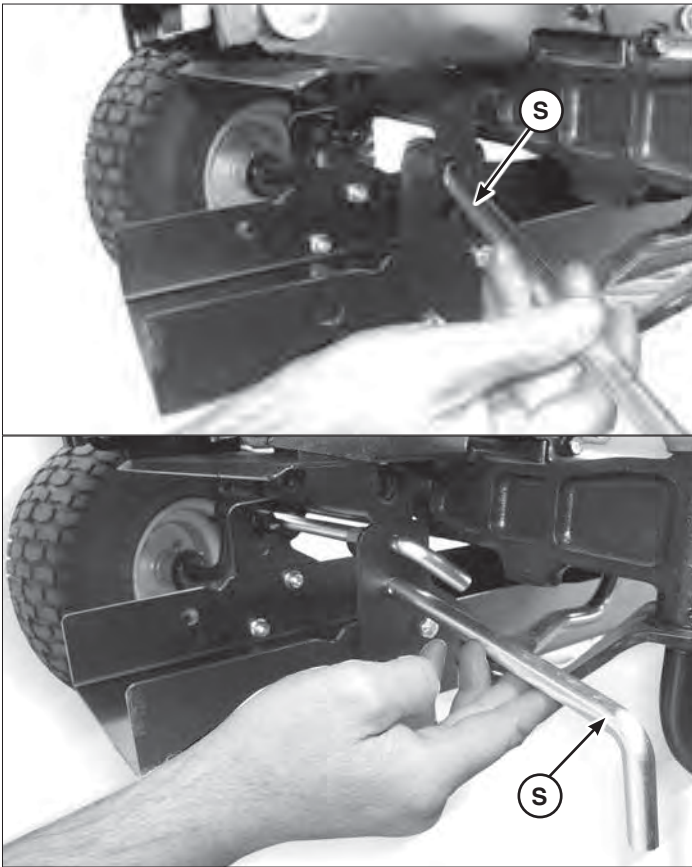


Figure 5

3. Attach both latch rods (**S**, Figure 6) with hair pins (**B**).

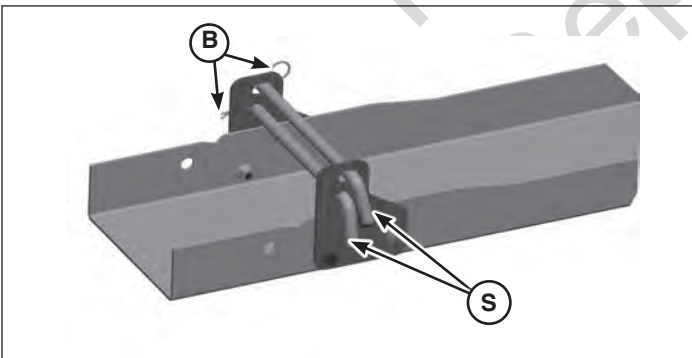


Figure 6

Small Frame Tractors

Note: Small frame tractors do not use the lower latch rod.

1. At the front of the tractor, align the top slot of the sub-frame assembly to the tractor frame. Slide the hitch latch rod (**T**, Figure 7) through the slotted holes of the sub-frame assembly and the holes of the tractor frame.

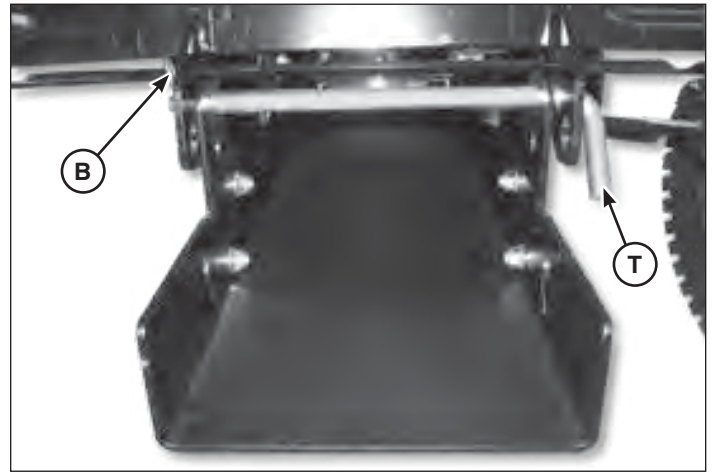


Figure 7

2. Secure the latch rod with a hair pin (**B**).

Front Blade Installation

1. Put the spacer (**C**, Figure 8) into the hole in the blade assembly (**CC**).
2. Grease (**II**) the spacer and the area around the spacer on both sides of the blade assembly.

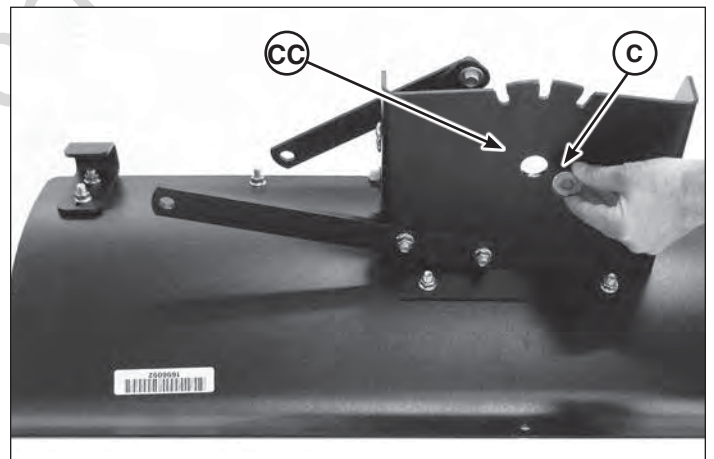


Figure 8

- Align the pivot assembly (**DD**, Figure 9) with the holes on the blade assembly, and install the capscrew (**D**).
- Place a washer (**E**) onto the capscrew and secure with nut (**F**).

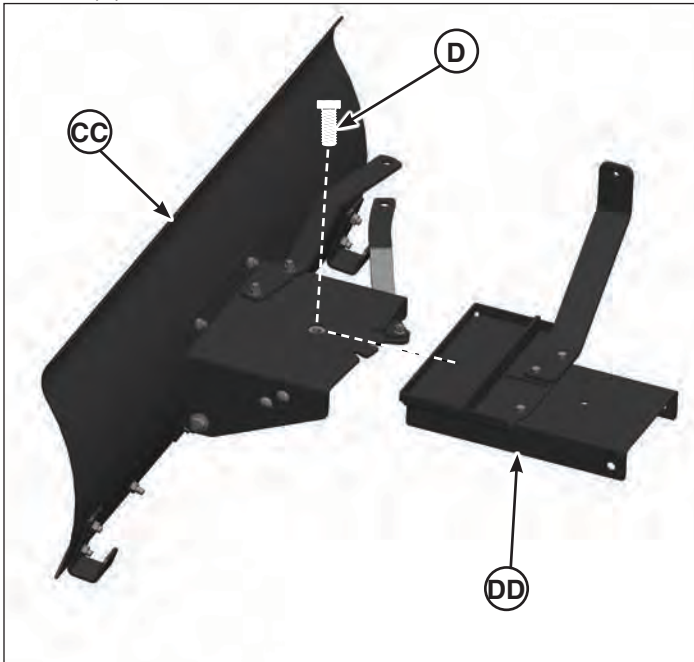


Figure 9

- Insert pin (**a**, Figure 10) into the latch bar (**b**) and secure with cotter pin (**G**). Slightly bend the longer leg of the cotter pin.

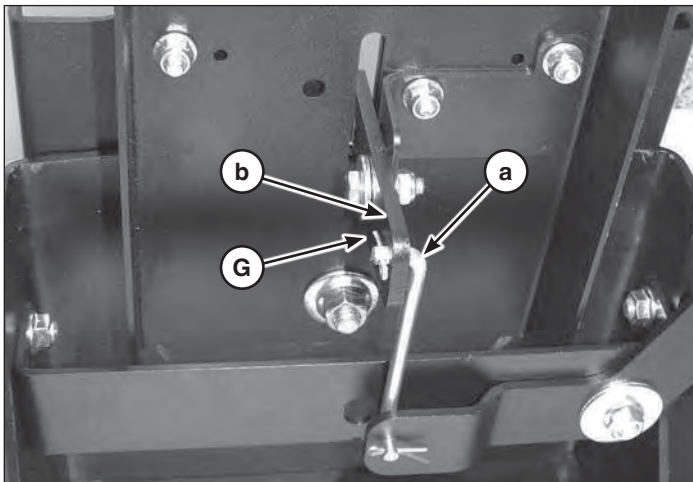


Figure 10

- Attach the spring extension (**H**, Figure 11) to the notch (**c**) on the blade assembly and hole (**d**) on the pivot assembly.

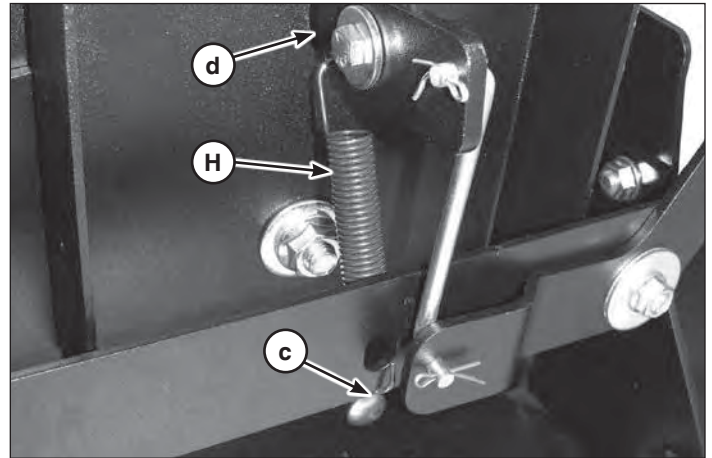


Figure 11

- Install a nut (**K**, Figure 12) approximately .75" onto the eye bolt (**I**).
- Install the larger, open-end of the blade spring (**J**) into the hole of the pivot assembly.
- Put the other end of the blade spring onto eye bolt.
- Install the eye bolt into hole on blade assembly. Secure with second nut (**K**) and adjust the nut as needed for blade spring back tension.

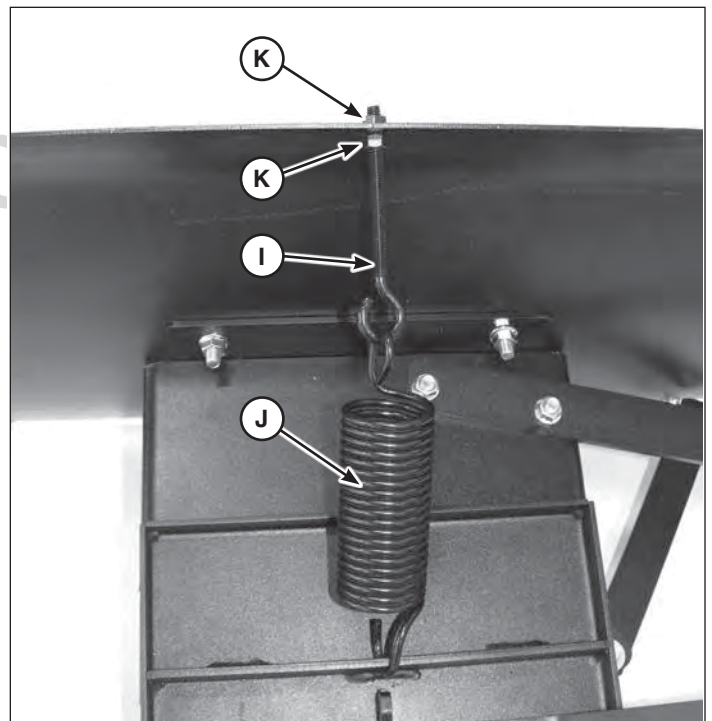


Figure 12

11. Move the pivot assembly (e, Figure 13) onto the sub-frame (f). Align the holes on the pivot assembly and sub-frame.

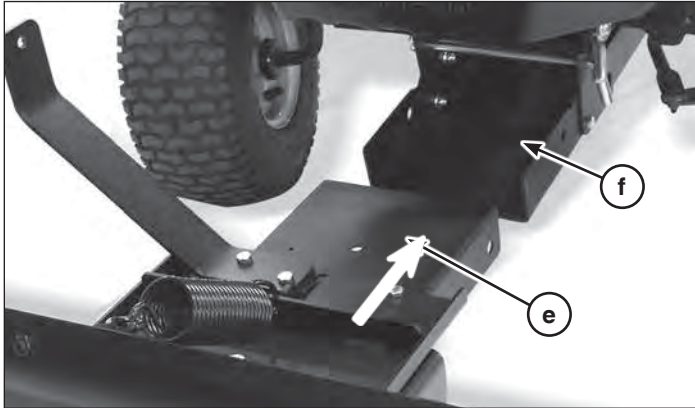


Figure 13

12. Move the hitch latch rod (S, small frame / T, large frame, Figure 14) through holes from step 11, and attach the rod with a hair pin (B).

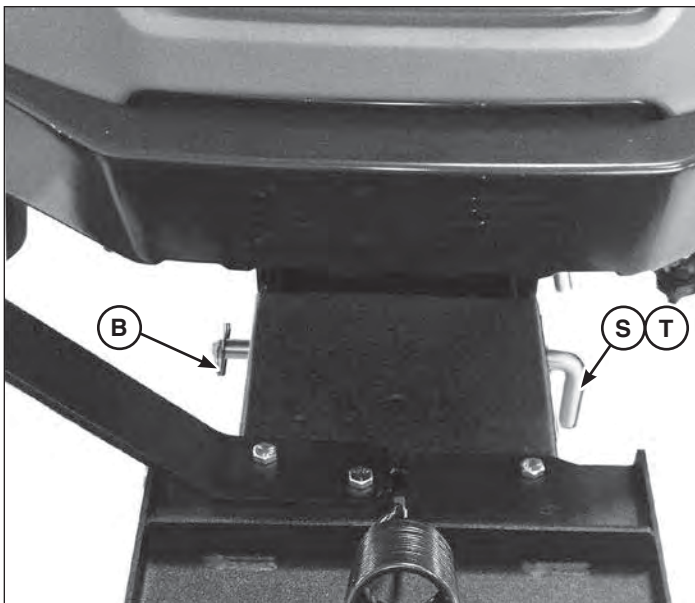


Figure 14

Lift Support Installation

1. Remove the taptite screw (a, Figure 15) from the right side of the tractor frame.

Note: Keep the taptite screw for snow blade removal.

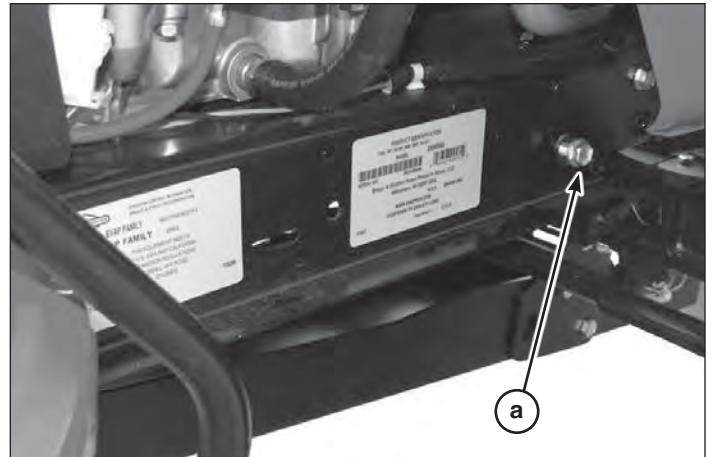


Figure 15

2. On the right side of the tractor frame, identify the holes (b, Figure 16) that will be used to attach the lift support assembly.

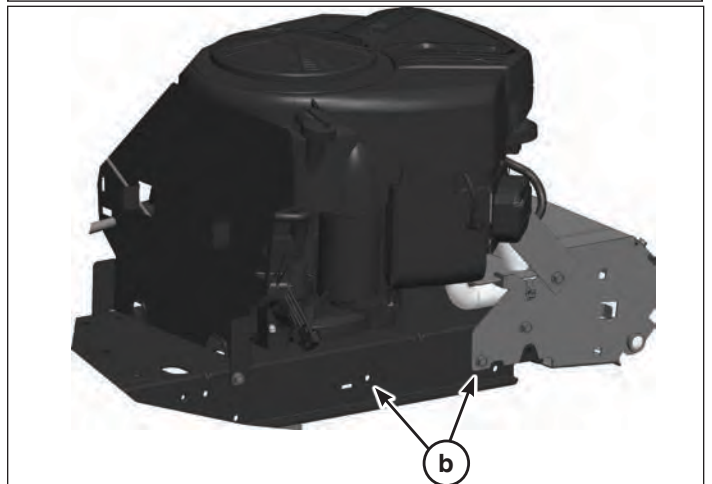
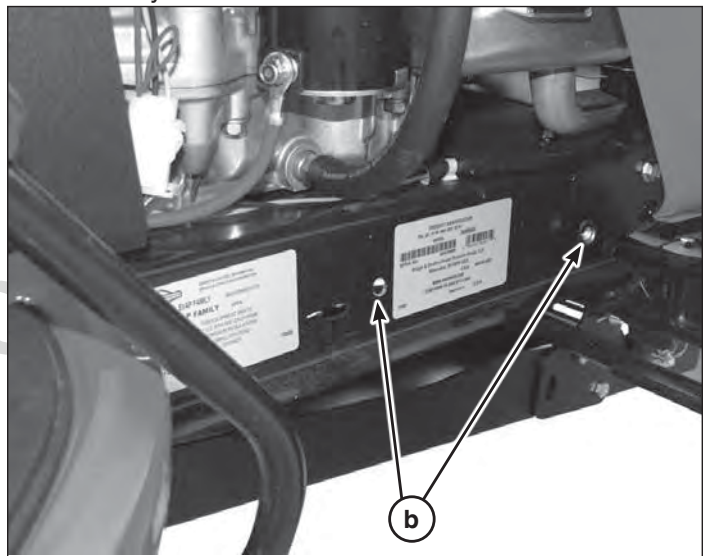


Figure 16

3. Set the lift support assembly (**GG**) on top of the heat shield. Install a capscrew (**L**, Figure 17) into the front hole of the lift support assembly. Place a washer (**E**) between the frame and the lift support assembly.
4. Install a capscrew (**M**) into the rear hole of the lift support assembly with a nut (**N**).

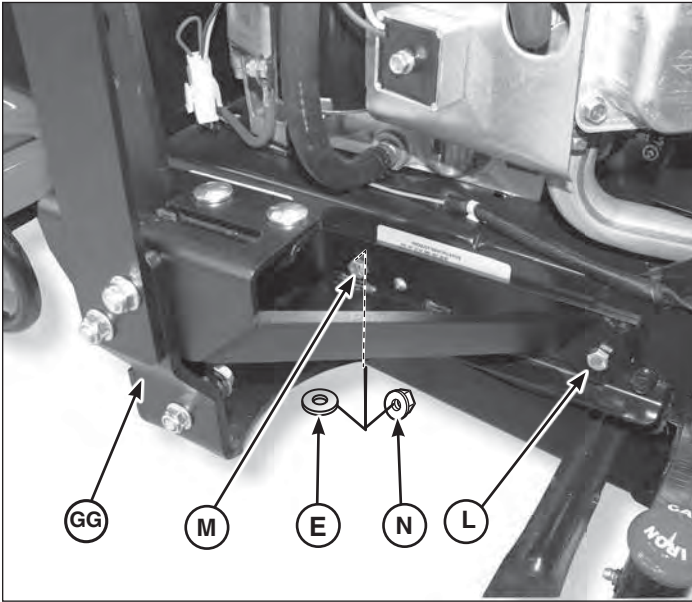


Figure 17

Pivot Arm Installation

1. Attach the lower end of the front angle rod (**FF**) to the blade with hair pins (**B**, Figure 18).

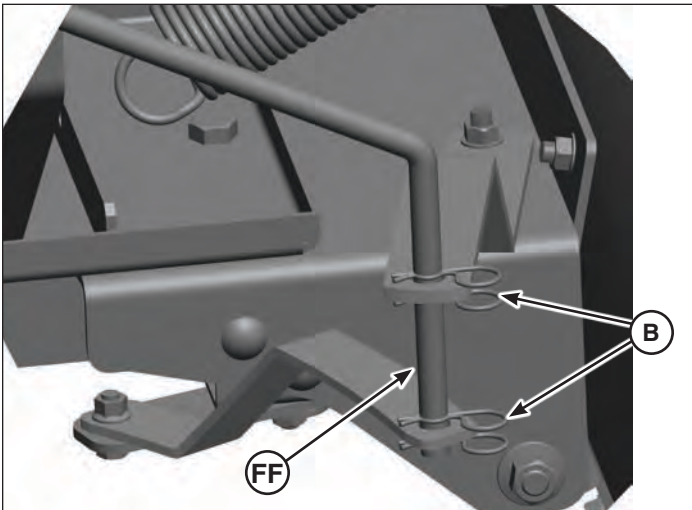


Figure 18

2. Put the top angle rod (**EE**, Figure 19) through the hole (**b**) in the lift support assembly.

Note: The position of the lift rod handle is down for tractors WITHOUT snow cabs. The position of the lift rod handle is up for tractors WITH snow cabs.

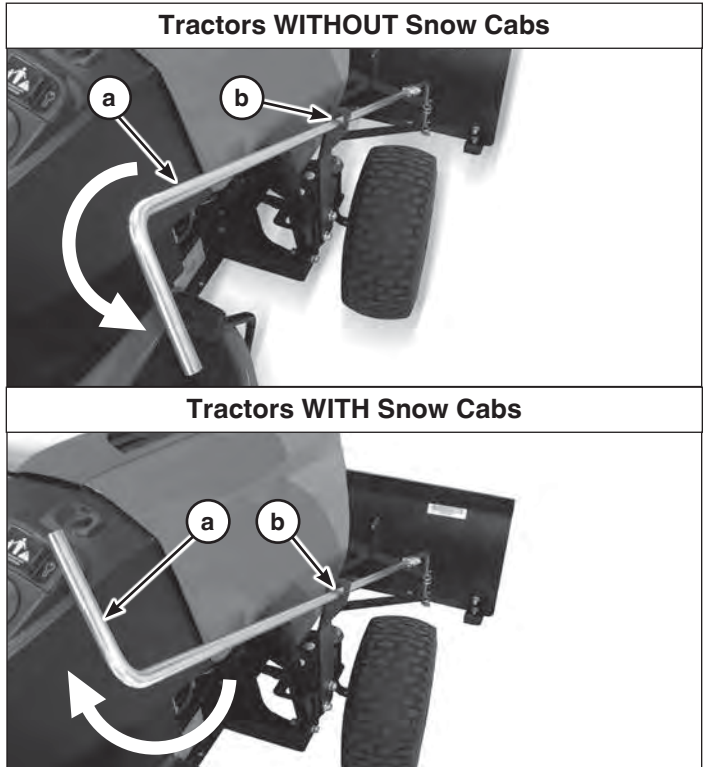


Figure 19

3. Attach the top angle rod (**EE**, Figure 20) to the front angle rod (**FF**) with capscrews (**L**) and nuts (**N**).

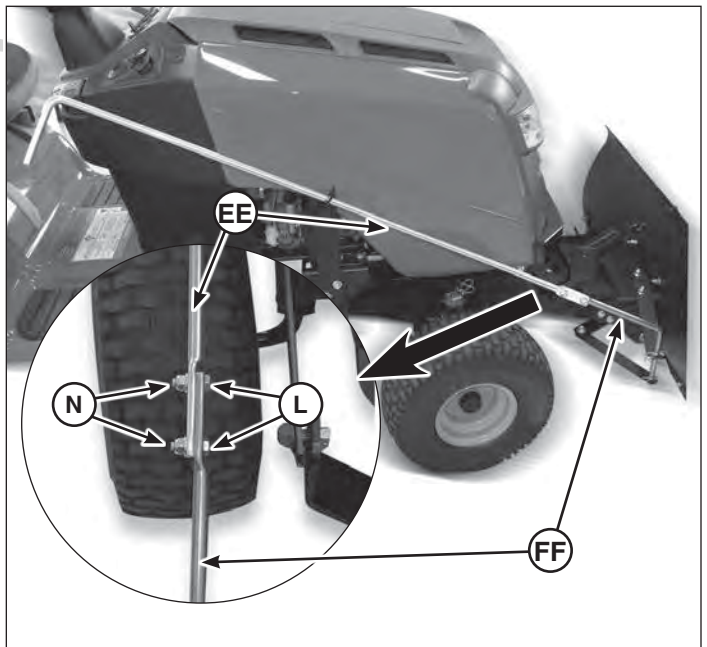


Figure 20

Lift Handle Installation

1. Attach the handle (**JJ**, Figure 21) to the lift support assembly with capscrews (**L**) and nuts (**N**).

Note: Attach the handle in front of the lift support assembly.

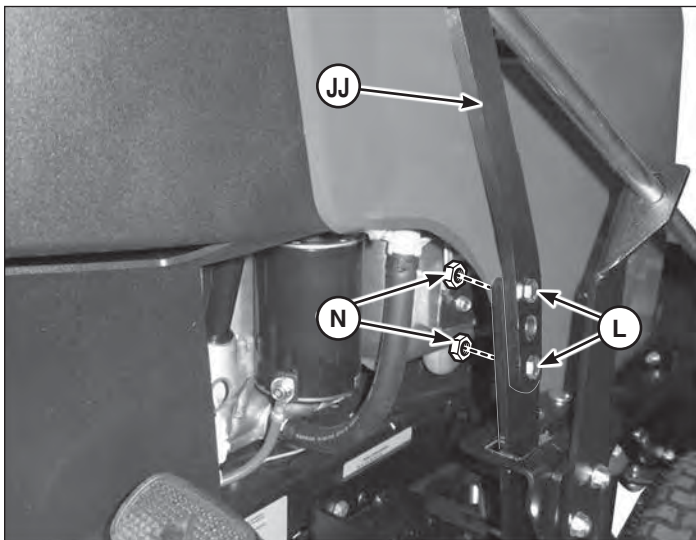


Figure 21

Lift Arm Installation

1. Attach the short lift bar assembly (**HH**, Figure 22) to the pivot assembly (**a**) with a shoulder bolt (**O**) and nut (**P**).



Figure 22

2. Install the hook end (**b**, Figure 23) of the short lift bar assembly into handle/lift support assembly (**c**).
3. Secure with hair pin (**B**).

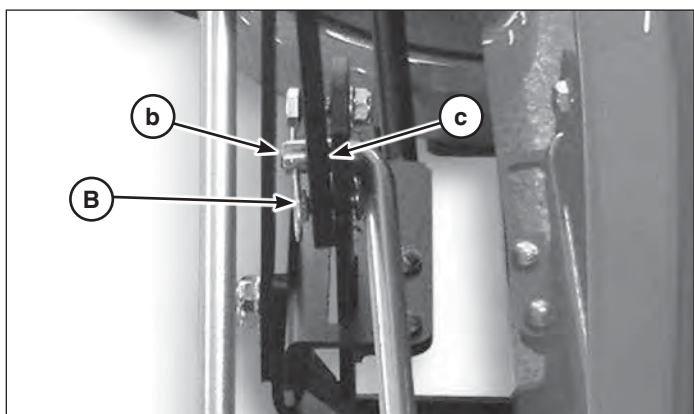


Figure 23

Operation

DANGER

OPERATING ON SLOPES CAN BE DANGEROUS

Never operate on slopes greater than 17.6% (10°) which is a rise of 3-1/2 feet (106 cm) vertically in 10 feet (607 cm) horizontally.

Operate the unit at a slow ground speed when driving onto slope. Avoid using brakes to control ground speed.

When operating on slopes that are greater than 15% (8.5°) but less than 17.6%, use additional wheel weights or counterweights.

In addition to counterweights, use extra caution when operating on slopes. Drive UP and DOWN the slope, never across the face, use caution when changing directions and **DO NOT START OR STOP ON SLOPE.**

For additional traction, tire chains and a weight box can be added. Maximum weight added to tractor should not exceed 35 lbs. per wheel and 100 additional lbs. in weight box.

IMPORTANT

Note: To prevent damage to the unit, raise the blade BEFORE turning or backing up.

WARNING

Perform the Safety System Interlock test found in your tractor Operator's Manual. If tractor does not pass the test, do not operate the tractor. See your authorized dealer. Under no circumstances should you attempt to defeat the safety system. Use caution when plowing a snow covered area. Snow can cover objects such as curbs, drop-offs, and other obstacles. Be familiar with the area you are plowing.

To prevent an explosion or fire, never store the tractor with fuel in the tank inside a building where an ignition source is present.

Checks Before Starting

1. Refer to the *Maintenance* section to perform any needed service. Also, refer to the tractor Operator's Manual to perform any required service.
2. Remove all objects from the work area that might interfere with snow plow activity.

Skid Shoe Adjustment

1. Raise the blade off the ground and block with a piece of wood.
2. Loosen the bolts and move the skid shoes up or down to desired height. Tighten the bolts securely.

Engine and Ground Speed Selection

Always run the engine at full throttle.

Set the tractor speed to obtain the needed power to move the material. Operate at a safe speed to have complete control of the tractor. Rear wheel weights and chains are recommended for slippery surfaces.

For additional traction, use a rear weight carrier.

Transporting

For maximum ground clearance, transport to and from work areas with the blade fully raised and positioned straight ahead.

Starting and Stopping

1. Start the tractor engine. Set engine throttle to full.
2. Raise the lift attachment and travel to the work site.
3. Set the angle control to the desired blade angle.
4. Lower the attachment lift and begin plowing.
5. Raise the plow before backing up.
6. To stop the tractor, set ground speed to neutral and set the parking brake. Before leaving the seat, stop the engine, set the parking brake, remove the key, and wait for all moving parts to stop.

Blade Angle Adjustment

Note: Change the angle of the blade with the attachment raised.

1. Raise the attachment lift.
2. Turn the lever counterclockwise to release the angle mechanism and move the blade left or right. Push the angle lever forward fully to lock the blade in the left position. Pull the lever fully back to lock the blade in the right position. Move the lever slowly over the center to lock in the centered position.

Snow Plowing Tips

- Determine the best snow removal pattern before beginning.
- Plan the pattern to avoid pushing snow onto cleared areas.
- When land contour permits, it is best to travel in the longest direction to minimize turning.
- In deep or heavy snow, it may be necessary to make the first pass with the blade partially raised, then repeat each pass with the blade lowered to clear the material left on the surface. Also, it may be necessary to clear less than the full width of the blade or reduce ground speed.
- Snow tends to freeze into solid banks when plowed off a driveway or other large area. Plow the snow several feet past the edge of the drive to allow space for future plowing to build up.
- If pushing snow past the edges of driveways or sidewalks, make sure not to tear the grass buried under the snow. Lift the blade several inches off the ground to avoid damage to the grass.
- Spinning tires with tire chains can leave unsightly marks or permanent damage to asphalt or concrete driveways or sidewalks. Avoid sudden stops or starts.

Maintenance

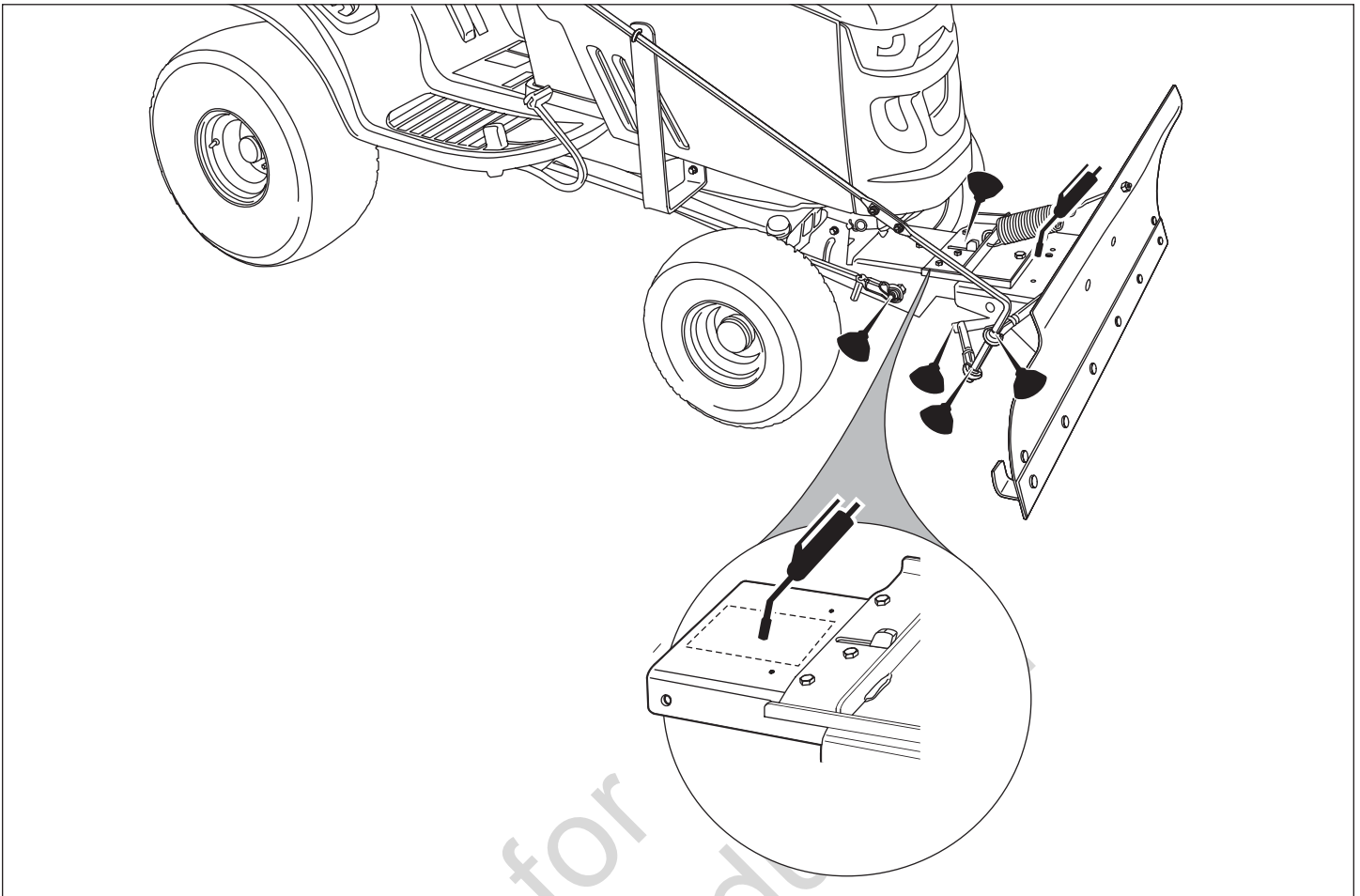


Figure 24

Schedule For Normal Care

WARNING

Before beginning any service work turn off the PTO, set the parking brake, turn off the ignition, and disconnect the spark plug wire(s).

Care Required	Schedule
Clean snow and ice from the snow blade.	After each use.
Lubricate snow blade.	Every 10 hours or at least once a year.

General Lubrication

Lubricate the snow blade as shown in Figure 24. Where an oil can is shown use 30 weight oil. Where a grease gun is shown, use lithium grease. Lubricate the following areas:

- Grease the blade pivot.
- Grease the blade lock pawl (see inset).

BRIGGS & STRATTON PRODUCTS WARRANTY POLICY

LIMITED WARRANTY

Briggs & Stratton warrants that, during the warranty period specified below, it will repair or replace, free of charge, any part that is defective in material or workmanship or both. Transportation charges on product submitted for repair or replacement under this warranty must be borne by purchaser. This warranty is effective for and is subject to the time periods and conditions stated below. For warranty service, find the nearest Authorized Service Dealer in our dealer locator map at www.briggsandstratton.com. The purchaser must contact the Authorized Service Dealer, and then make the product available to the Authorized Service Dealer for inspection and testing.

There is no other express warranty. Implied warranties, including those of merchantability and fitness for a particular purpose, are limited to the warranty period listed below, or to the extent permitted by law. Liability for incidental or consequential damages are excluded to the extent exclusion is permitted by law. Some states or countries do not allow limitations on how long an implied warranty lasts, and some states or countries do not allow the exclusion or limitation of incidental or consequential damages, so the above limitation and exclusion may not apply to you. This warranty gives you specific legal rights and you may also have other rights which vary from state to state or country to country.**

WARRANTY PERIOD

Item	Consumer Use	Commercial Use
Accessory/Attachment	12 months	None

** In Australia - Our goods come with guarantees that cannot be excluded under the Australian Consumer Law. You are entitled to a replacement or refund for a major failure and for compensation for any other reasonably foreseeable loss or damage. You are also entitled to have the goods repaired or replaced if the goods fail to be of acceptable quality and the failure does not amount to a major failure. For warranty service, find the nearest Authorized Service Dealer in our dealer locator map at BRIGGSandSTRATTON.COM, or by calling 1300 274 447, or by emailing or writing to salesenquires@briggsandstratton.com.au, Briggs & Stratton Australia Pty Ltd, 1 Moorebank Avenue, NSW, Australia, 2170.

The warranty period begins on the date of purchase by the first retail or commercial consumer. "Consumer use" means personal residential household use by a retail consumer. "Commercial use" means all other uses, including use for commercial, income producing or rental purposes. Once a product has experienced commercial use, it shall thereafter be considered as a commercial use product for purposes of this warranty.

To ensure prompt and complete warranty coverage, register your product at the website shown above or at www.onlineproductregistration.com.

Save your proof of purchase receipt. If you do not provide proof of the initial purchase date at the time warranty service is requested, the manufacturing date of the product will be used to determine the warranty period. Product registration is not required to obtain warranty service on Briggs & Stratton products.

ABOUT YOUR WARRANTY

Warranty service is available only through Briggs & Stratton Authorized Service Dealers. Most warranty repairs are handled routinely, but sometimes requests for warranty service may not be appropriate. This warranty covers only defects in materials or workmanship. It does not cover damage caused by improper use or abuse, improper maintenance or repair, or normal wear and tear.

Improper Use and Abuse - The proper, intended use of this product is described in the Operator's Manual. Using the product in a way not described in the Operator's Manual or using the product after it has been damaged will not be covered under this warranty. Warranty coverage will also not be provided if the serial number on the product has been removed or the product has been altered or modified in any way, or if the product has evidence of abuse such as impact damage or water/chemical corrosion damage.

Improper Maintenance or Repair - This product must be maintained according to the procedures and schedules provided in the Operator's Manual, and serviced or repaired using genuine Briggs & Stratton parts or equivalent. Damage caused by lack of maintenance or use of non-original parts is not covered by warranty.

Normal Wear and Tear - Like most mechanical devices, your unit is subject to wear even when properly maintained. This warranty does not cover repairs when normal use has exhausted the life of a part or the equipment. Maintenance and wear items such as filters, belts, cutting blades, and brake pads (except engine brake pads) are not covered by warranty due to wear characteristics alone, unless the cause is due to defects in material or workmanship.

Other Exclusions - This warranty excludes damage due to accident, abuse, modifications, alterations, improper servicing, freezing or chemical deterioration. Attachments or accessories that were not originally packaged with the product are also excluded. This warranty does not include used, reconditioned, second-hand, or demonstration equipment or engines. This warranty also excludes failures due to acts of God and other force majeure events beyond the manufacturer's control.

80004543EN (Rev. E)

Not for
Reproduction