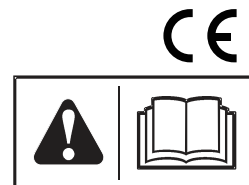




- (en) Customer Contact Guide**
- (da) Kundekontaktvejledning**
- (de) Kontaktadressen für den Kunden**
- (el) Οδηγός επικοινωνίας πελατών**
- (es) Guía de contacto del cliente**
- (fi) Asiakkaan yhteydenotto-oppas**
- (fr) Guide de contacts pour le client**
- (it) Guida al contatto con il cliente**
- (nl) Klantcontactgids**
- (no) Veiledning for kundekontakt**
- (pt) Guia de contacto do cliente**
- (sv) Kundkontaktguide**

Not for  
Reproduction



# Thank You

Thank you for purchasing this quality-built Snapper® product. We are pleased that you have confidence in the Snapper® brand. When operated and maintained according to the manuals, this product will provide many years of dependable service.

The Operator's Manual contains safety information to make you aware of the hazards and risks associated with the unit and how to avoid them. This product was designed to be used as described in the Operator's Manual and is not intended for any other purpose. It is important that you read and thoroughly understand the instructions in the manual before attempting to start, operate, or service the product. **Save these original instructions for future reference.**

This product requires final assembly, which is described in the Setup Instructions. Make sure to follow the instructions completely before use. If you need assistance with assembly, operation, or maintenance of the product, contact your local Authorized Service Dealer or visit [snapper.com](http://snapper.com) or call 1-800-317-7833 (in USA only).

## Identification Tag

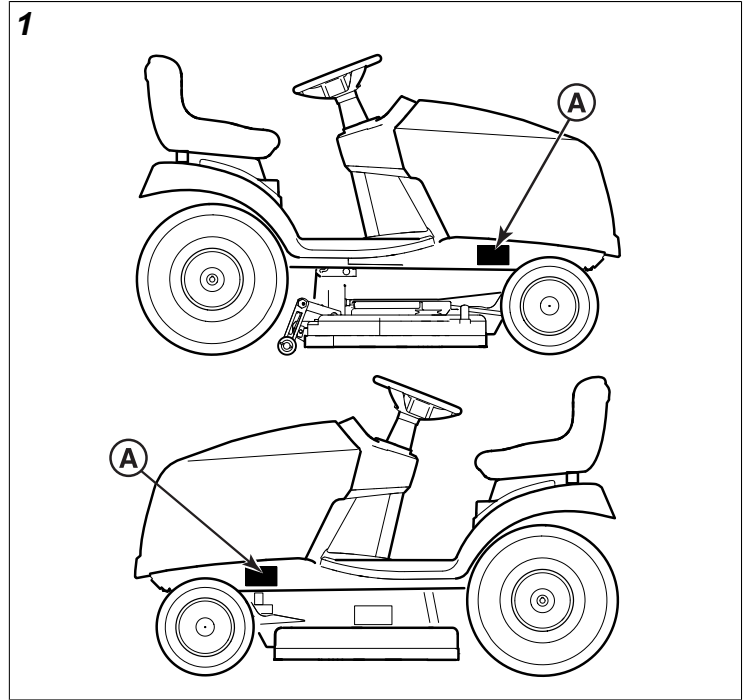
Record the model name/number, manufacturer's identification numbers, and engine serial numbers in the space provided for easy access.

Product Model Number:	
Product Serial Number:	
Engine Model-Type Number:	
Engine Code/Serial Number:	
Date of Purchase:	
Purchase Location:	

When contacting the Authorized Dealer for replacement parts, service, or information you **MUST** have these numbers.

The Illustrated Parts List for this machine can be downloaded from [snapper.com](http://snapper.com). Please provide model and serial number when ordering replacement parts.

For the location of the identification tag (A) refer to the following illustration.



## Vibration Measurement Uncertainty

**Vibration measurement uncertainty** - machine vibration was recorded using methods and procedures outlined in the appropriate International Standards in effect at the time of manufacture. The uncertainties due to the measurement may result in a variance of up to 5% from the published value shown in the Declaration of Conformity.

## Product Warranty Warranty Statement

### LIMITED WARRANTY

Briggs & Stratton warrants that, during the warranty period specified below, it will repair or replace, free of charge, any part that is defective in material or workmanship or both. Transportation charges on product submitted for repair or replacement under this warranty must be borne by purchaser. This warranty is effective for and is subject to the time periods and conditions stated below. For warranty service, find the nearest Authorized Service Dealer in our dealer locator map at [snapper.com](http://snapper.com).

The purchaser must contact the Authorized Service Dealer, and then make the product available to the Authorized Service Dealer for inspection and testing.

**There is no other express warranty. Implied warranties, including those of merchantability and fitness for a particular purpose, are limited to the warranty period listed below, or to the extent permitted by law. Liability for incidental or consequential damages are excluded to the extent exclusion is permitted by law.** Some states or countries do not allow limitations on how long an implied warranty lasts, and some states or countries do not allow the exclusion or limitation of incidental or consequential

damages, so the above limitation and exclusion may not apply to you. This warranty gives you specific legal rights and you may also have other rights which vary from state to state or country to country.\*\*

## Warranty Period

Item	Consumer Use	Commercial Use
Equipment	36 Months	3 Months
Engine*	36 Months	12 Months
Battery (if equipped)	12 Months	12 Months

\* Applies to Briggs & Stratton® engines only. Warranty coverage of non-Briggs & Stratton engines is provided by that engine manufacturer. Emissions-related components are covered by the Emissions Warranty Statement.

\*\* In Australia - Our goods come with guarantees that cannot be excluded under the Australian Consumer Law. You are entitled to a replacement or refund for a major failure and for compensation for any other reasonably foreseeable loss or damage. You are also entitled to have the goods repaired or replaced if the goods fail to be of acceptable quality and the failure does not amount to a major failure. For warranty service, find the nearest Authorized Service Dealer in our dealer locator map at BRIGGSandSTRATTON.COM, or by calling 1300 274 447, or by emailing or writing to salesenquires@briggsandstratton.com.au, Briggs & Stratton Australia Pty Ltd, 1 Moorebank Avenue, NSW, Australia, 2170.

The warranty period begins on the date of purchase by the first retail or commercial consumer. "Consumer use" means personal residential household use by a retail consumer. "Commercial use" means all other uses, including use for commercial, income producing or rental purposes. Once a product has experienced commercial use, it shall thereafter be considered as a commercial use product for purposes of this warranty.

Save your proof of purchase receipt. If you do not provide proof of the initial purchase date at the time warranty service is requested, the manufacturing date of the product will be used to determine the warranty period. Product registration is not required to obtain warranty service on Briggs & Stratton products.

## About Your Warranty

Warranty service is available only through Snapper® Authorized Service Dealers. This warranty covers only defects in materials or workmanship. It does not cover damage caused by improper use or abuse, improper maintenance or repair, normal wear and tear, or stale or unapproved fuel.

**Improper Use and Abuse** - The proper, intended use of this product is described in the Operator's Manual. Using the product in a way not described in the Operator's Manual or using the product after it has been damaged will not be covered under this warranty. Warranty coverage will also not be provided if the serial number on the product has been

removed or the product has been altered or modified in any way, or if the product has evidence of abuse such as impact damage or water/chemical corrosion damage.

**Improper Maintenance or Repair** - This product must be maintained according to the procedures and schedules provided in the Operator's Manual, and serviced or repaired using genuine Briggs & Stratton parts or equivalent. Damage caused by lack of maintenance or use of non-original parts is not covered by warranty.

**Normal Wear and Tear** - Like most mechanical devices, your unit is subject to wear even when properly maintained. This warranty does not cover repairs when normal use has exhausted the life of a part or the equipment. Maintenance and wear items such as filters, belts, cutting blades, and brake pads (except engine brake pads) are not covered by warranty due to wear characteristics alone, unless the cause is due to defects in material or workmanship.

**Stale or Unapproved Fuel** - In order to function correctly, this product requires fresh fuel that conforms to the criteria specified in the Operator's Manual. Engine or equipment damage caused by stale fuel or the use of unapproved fuels (such as E15 or E85 ethanol blends) is not covered by warranty.

**Other Exclusions** - This warranty excludes damage due to accident, abuse, modifications, alterations, improper servicing, freezing or chemical deterioration. Attachments or accessories that were not originally packaged with the product are also excluded. There is no warranty coverage on equipment used for primary power in place of utility power or on equipment used in life support applications. This warranty does not include used, reconditioned, second-hand, or demonstration equipment or engines. This warranty also excludes failures due to acts of God and other force majeure events beyond the manufacturer's control.

80015795 Revision A

## Briggs & Stratton Emissions Warranty

**California, U.S. EPA, and Briggs & Stratton, LLC Emissions Control Warranty - Your Warranty Rights and Obligations**  
**For Briggs & Stratton Engine Models with "B" or "G" Trim Designation (Model-Type-Trim Representation xxxxxx xxxx Bx or xxxxxx xxxx Gx)**

The California Air Resources Board, U.S. EPA, and Briggs & Stratton (B&S) are pleased to explain the exhaust emissions ("emissions") control system warranty on your 2020-2022 engine. In California, new small off-road engines and large spark ignited engines less than or equal to 1.0 liter must be designed, built, and equipped to meet the State's stringent anti-smog standards. B&S must warrant the emissions control system on your engine for the periods of time listed below provided there has been no abuse, neglect or improper maintenance of your small off-road engine or equipment leading to the failure of the emissions control system.

Your emissions control system may include parts such as the carburetor or fuel-injection system, the ignition system, catalytic converter, fuel tanks, fuel lines (for liquid fuel and fuel vapors), fuel caps, valves, canisters, filters, clamps and other associated components. Also included may be hoses, belts, connectors, and other emission-related assemblies.

Where a warrantable condition exists, B&S will repair your engine at no cost to you including diagnosis, parts, and labor.

#### **Manufacturer's Warranty Coverage:**

The exhaust emissions control system on your engine is warranted for two years. If any emissions-related part on your engine is defective, the part will be repaired or replaced by B&S.

#### **Owner's Warranty Responsibilities:**

- As the engine owner, you are responsible for the performance of the required maintenance listed in your owner's manual. B&S recommends that you retain all receipts covering maintenance on your engine, but B&S cannot deny warranty coverage solely for the lack of receipts or for your failure to ensure the performance of all scheduled maintenance.
- As the engine owner, you should however be aware that B&S may deny you warranty coverage if your engine or a part has failed due to abuse, neglect, or improper maintenance or unapproved modifications.
- You are responsible for presenting your engine to a B&S distribution center or service center as soon as the problem exists. The warranty repairs shall be completed in a reasonable amount of time, not to exceed 30 days. If you have a question regarding your warranty rights and responsibilities, you should contact B&S at 1-800-444-7774 (in USA) or BRIGGSandSTRATTON.COM.

#### **Briggs & Stratton Emissions Control Warranty Provisions**

The following are specific provisions relative to your Emissions Control Warranty Coverage. It is in addition to the B&S engine warranty for non-regulated engines found in the Operator's Manual.

##### **1. Warranted Emissions Parts**

Coverage under this warranty extends only to the parts listed below (the emissions control systems parts) to the extent these parts were present on the B&S engine.

###### **a. Fuel Metering System**

- Cold start enrichment system (soft choke)
- Carburetor or fuel injection system
- Oxygen sensor
- Electronic control unit
- Fuel pump module

###### **b. Air Induction System**

- Air cleaner
- Intake manifold

###### **c. Ignition System**

- Spark plug(s)
- Magneto ignition system

###### **d. Catalyst System**

- Catalytic converter
- Exhaust manifold
- Air injection system or pulse valve

###### **e. Miscellaneous Items Used in Above Systems**

- Vacuum, temperature, position, time sensitive valves and switches
- Connectors and assemblies
- Electronic controls

##### **2. Length of Coverage**

Coverage is for a period of two years from the date of delivery to an ultimate purchaser, or for the time period listed in the respective engine or product warranty statement, whichever is greater. B&S warrants to the original purchaser and each subsequent purchaser that the engine is designed, built, and equipped so as to conform with all applicable regulations adopted by the Air Resources Board; that it is free from defects in material and workmanship that could cause the failure of a warranted part; and that it is identical in all material respects to the engine described in the manufacturer's application for certification. The warranty period begins on the date the engine or equipment is delivered to an ultimate purchaser.

The warranty on emissions-related parts is as follows:

- Any warranted part that is not scheduled for replacement as required maintenance in the Operator's Manual supplied, is warranted for the warranty period stated above. If any such part fails during the period of warranty coverage, the part will be repaired or replaced by B&S at no charge to the owner. Any such part repaired or replaced under the warranty will be warranted for the remaining warranty period.
- Any warranted part that is scheduled only for regular inspection in the Operator's Manual supplied, is warranted for the warranty period stated above. Any such part repaired or replaced under warranty will be warranted for the remaining warranty period.
- Any warranted part that is scheduled for replacement as required maintenance in the Operator's Manual supplied, is warranted for the period of time prior to the first scheduled replacement point for that part. If the part fails prior to the first scheduled replacement, the part will be repaired or replaced by B&S at no charge to the owner. Any such part repaired or replaced under warranty will be warranted for the remainder of the period prior to the first scheduled replacement point for the part.
- Add-on or modified parts that are not exempted by the Air Resources Board may not be used. The use of any non-exempted add-on or modified parts by the owner will be grounds for disallowing a warranty

claim. The manufacturer will not be liable to warrant failures of warranted parts caused by the use of a non-exempted add-on or modified part.

3. Consequential Coverage

Coverage shall extend to the failure of any engine components caused by the failure of any warranted emissions parts.

4. Claims and Coverage Exclusions

Warranty claims shall be filed according to the provisions of the B&S engine warranty policy. Warranty coverage does not apply to failures of emissions parts that are not original equipment B&S parts or to parts that fail due to abuse, neglect, or improper maintenance as set forth in the B&S engine warranty policy. B&S is not liable for warranty coverage of failures of emissions parts caused by the use of add-on or modified parts.

**Look For Relevant Emissions Durability Period and Air Index Information On Your Small Off-Road Engine Emissions Label**

Engines that are certified to meet the California Air Resources Board (CARB) small off-road Emissions Standard must display information regarding the Emissions Durability Period and the Air Index. Briggs & Stratton makes this information available to the consumer on our emissions labels. The engine emissions label will indicate certification information.

The **Emissions Durability Period** describes the number of hours of actual running time for which the engine is certified to be emissions compliant, assuming proper maintenance in accordance with the Operator's Manual. The following categories are used:

**Moderate:**

Engines at or less than 80 cc displacement are certified to be emissions compliant for 50 hours of actual engine running time. Engines greater than 80 cc displacement are certified to be emissions compliant for 125 hours of actual engine running time.

**Intermediate:**

Engines at or less than 80 cc displacement are certified to be emissions compliant for 125 hours of actual engine running time. Engines greater than 80 cc displacement are certified to be emissions compliant for 250 hours of actual engine running time.

**Extended:**

Engines at or less than 80 cc displacement are certified to be emissions compliant for 300 hours of actual engine running time. Engines greater than 80 cc displacement are certified to be emissions compliant for 500 hours of actual engine running time.

For example, a typical walk-behind lawn mower is used 20 to 25 hours per year. Therefore, the **Emissions Durability Period** of an engine with an **intermediate** rating would equate to 10 to 12 years.

Briggs & Stratton engines are certified to meet the United States Environmental Protection Agency (USEPA) Phase 2

or Phase 3 emissions standards. The Emissions Compliance Period referred to on the Emissions Compliance label indicates the number of operating hours for which the engine has been shown to meet Federal emissions requirements.

**For engines at or less than 80 cc displacement:**

Category C = 50 hours, Category B = 125 hours, Category A = 300 hours

**For engines greater than 80 cc displacement and less than 225 cc displacement:**

Category C = 125 hours, Category B = 250 hours, Category A = 500 hours

**For engines of 225 cc or more displacement:**

Category C = 250 hours, Category B = 500 hours, Category A = 1000 hours

80099153 (Revision A)

# Tak

Tak for at købe dette kvalitetsprodukt Snapper®. Vi er glade for, at du har tillid til mærket Snapper®. Når den drives og vedligeholdes i overensstemmelse med de vejledninger, vil dette produkt give mange års pålidelig service.

Betjeningsvejledningen indeholder sikkerhedsoplysninger for at gøre dig opmærksom på de farer og risici, der er forbundet med enheden, og hvordan man undgår dem. Dette produkt er blevet fremstillet til anvendelse som beskrevet i betjeningsvejledningen og er ikke beregnet til andre formål. Det er vigtigt, at du læser og er indforstået med disse instruktioner fuldt ud, inden du forsøger at starte, betjene eller udføre vedligeholdelse på dette produkt. **Gem denne vejledning til fremtidigt brug.**

Produktet kræver endelig samling som er beskrevet i opsætningsvejledningen. Sørg for at følge vejledningen omhyggeligt før brug. Hvis du har behov for hjælp til samling, betjening eller vedligeholdelse af maskinen, bedes du kontakte din lokale autoriserede serviceforhandler eller besøge [snapper.com](http://snapper.com) eller ringe på 1-800-317-7833 (kun i USA).

## Identifikationsmærkat

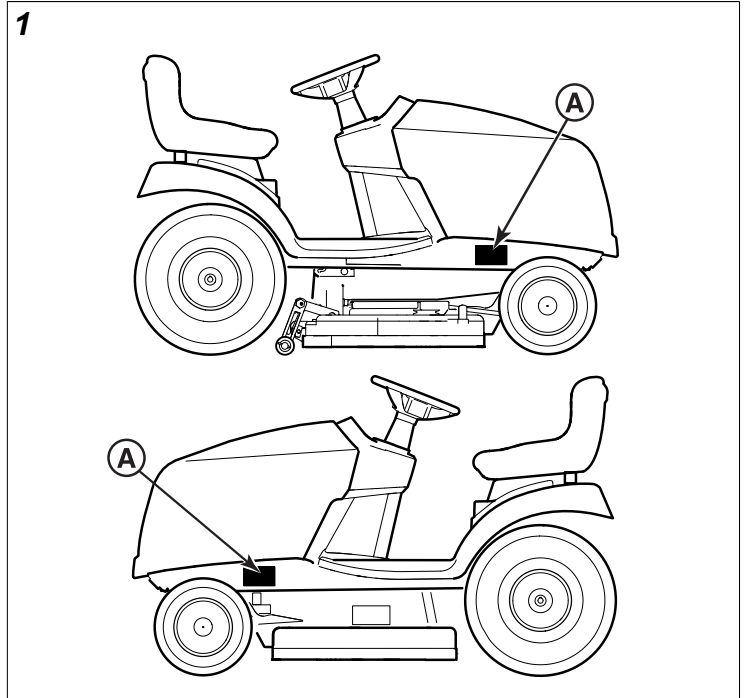
Notér modellens navn/nummer, producentens identifikationsnumre og motorens serienumre i de angivne felter, således at de er lette at se.

Produktmodelnummer:	
Produktserienummer:	
Motormodeltypenummer:	
Motorkode/serienummer:	
Købsdato:	
Sted for købet:	

Når du henvender dig hos den autoriserede forhandler for at få reservedele, service eller vejledning, SKAL du oplyse disse numre.

Den illustrerede reservedelsliste til denne maskine kan downloades fra [snapper.com](http://snapper.com). Oplys venligst model- og serienummer ved bestilling af reservedele.

For placering af identifikationsmærkat (A) henvises til følgende illustration.



## Usikkerhed ved vibrationsmåling

**Usikkerhed ved vibrationsmåling** - maskinvibration blev registreret ved hjælp af metoder og procedurer, som er angivet i de tilhørende internationale standarder, der var gældende på fremstillingstidspunktet. Usikkerhederne, der skyldes målingen, kan resultere i afvigelser på op til 5 % fra de offentliggjorte værdier, der fremgår af overensstemmelseserklæringen.

## Produktgaranti

### Garantierklæring

#### BEGRÆNSET GARANTI

Briggs & Stratton garanterer, at man i løbet af garantiperioden angivet nedenfor vil reparere eller udskifte enhver del, der er defekt i materiale eller håndværk eller begge dele, uden beregning. Transportomkostninger i forbindelse med et produkt, som indleveres til reparation eller udskiftning under denne garanti, afholdes af køberen. Denne garanti er gyldig inden for tidsperioderne og underlagt nedenstående betingelser. I forbindelse med garantiservice finder du den nærmeste autoriserede serviceforhandler på vores forhandlerkort på [snapper.com](http://snapper.com).

Køberen skal kontakte den autoriserede serviceforhandler og derefter stille produktet til rådighed for den autoriserede serviceforhandler med henblik på inspektion og afprøvning.

**Der ydes ikke nogen anden udtrykkelig garanti. Underforståede garantier, inklusive garantier for salgbarhed og egnethed til et bestemt formål, er begrænset til garantiperioden, der er angivet nedenfor, eller i den udstrækning loven tillader. Ansvar for hændelige skader eller følgeskader er udelukket, i det omfang lovgivningen tillader udelukkelse. Visse stater**

eller lande tillader ikke begrænsninger på, hvor lang tid en underforstået garanti varer, og visse stater eller lande tillader ikke udelukkelse eller begrænsning af tilfældig skade eller følgeskade, så ovenstående begrænsning og udelukkelse er måske ikke gældende for dig. Denne garanti giver dig specifikke lovmæssige rettigheder, og du har muligvis andre rettigheder, som kan være forskellige fra stat til stat og fra land til land.\*\*

## Garantiperiode

Produkt	Privat brug	Erhvervsmæssig brug
Udstyr	36 måneder	3 måneder
Motor*	36 måneder	12 måneder
Batteri (hvis dette medfølger)	12 måneder	12 måneder

\* Gælder kun for Briggs & Stratton®-motorer. Garantidækning af andre motorer end Briggs & Strattons gives af den enkelte motorproducent. Emmissionsrelaterede komponenter er omfattet af Emmissions Warranty Statement (Emmissionsgarantierklæring).

\*\* I Australien - Vores produkter sælges med en garanti, der ikke kan bortfalde i henhold til den australske forbrugerlovgivning. Du er berettiget til en erstatning eller refundering i tilfælde af en væsentlig defekt og til kompensation for ethvert andet rimeligt forudseeligt tab eller skade. Du er derudover berettiget til at få dine varer repareret eller erstattet, hvis varerne ikke lever op til kvaliteten, og manglen ikke udgør en væsentlig defekt. I forbindelse med service under garantien kan du finde den nærmeste autoriserede serviceforhandler på kortet over forhandlere på BRIGGSandSTRATTON.COM, ved at ringe til 1300 274 447 eller ved at skrive til salesenquires@briggsandstratton.com.au, Briggs & Stratton Australia Pty Ltd, 1 Moorebank Avenue, NSW, Australien, 2170.

Garantiperioden træder i kraft på købsdatoen for den oprindelige detail- eller erhvervskunde. "Privat brug" betyder brug i personlig beboelseshusholdning af en detailkunde. "Erhvervsmæssig brug" betyder al anden form for brug, inklusive erhvervsmæssige, indkomstdannende eller lejebaserede formål. Så snart et produkt har været i erhvervsmæssig brug, vil det herefter blive betragtet som værende i erhvervsmæssig brug, hvad angår denne garanti.

For at sikre en hurtig og fuldstændig garantidækning kan du registrere produktet online på [www.onlineproductregistration.com](http://www.onlineproductregistration.com).

Gem dit købsbevis. Hvis du ikke fremviser bevis for den oprindelige købsdato på det tidspunkt, hvor der bliver anmodet om garantiservice, vil produktets produktionsdato blive brugt som grundlag for garantiperioden. Produktregistrering er ikke påkrævet for at opnå garantiservice på Briggs & Stratton-produkter.

## Om garantien

Garantiservice ydes kun gennem autoriserede serviceforhandlere af Snapper®. Denne garanti dækker kun

materiale- og fabrikationsfejl. Den dækker ikke skader, der er opstået som følge af ukorrekt brug eller mishandling, forkert vedligeholdelse eller reparation, normalt slid samt gammelt eller ikke godkendt brændstof.

**Ukorrekt brug eller mishandling** - Den korrekte brug, som dette produkt er beregnet til, er beskrevet i brugermanualen. Ved anvendelse af produktet på en måde, der ikke er beskrevet i brugermanualen, eller ved anvendelse af et beskadiget produkt, bortfalder garantien. Garantien er ugyldig, hvis produktets serienummer er fjernet, hvis produktet på nogen måde er ændret eller modificeret, bærer tegn på mishandling som f.eks. sammenstød eller korrosionsskader pga. vand eller kemikalier.

**Forkert vedligeholdelse eller reparation** - Dette produkt skal vedligeholdes i overensstemmelse med procedurerne og skemaerne, som de er angivet i brugermanualen. Ved servicering og reparationer skal der bruges originale eller tilsvarende dele fra Briggs & Stratton. Skader, der skyldes manglende vedligeholdelse eller brug af dele, der ikke er originale, er ikke dækket af garantien.

**Normalt slid** - Som med det meste mekaniske udstyr bliver din maskine sliddt, selvom der udføres korrekt vedligeholdelse. Denne garanti dækker ikke reparationer, hvor normal brug har forårsaget udløb af levetiden for en del af eller hele maskinen. Vedligeholdelses- og sliddele som f.eks. filtre, remme, skær og bremseklodser (undtagen motorens bremseklodser) dækkes ikke af garantien ved tegn på slitage alene, medmindre årsagen er materiale- eller fabrikationsfejl.

**Gammelt eller ikke godkendt brændstof** - For at kunne fungere korrekt kræver dette produkt frisk brændstof, som overholder kriterierne, der er angivet i brugermanualen. Skade på motor eller udstyr, der skyldes gammelt brændstof eller brug af brændstof, der ikke er godkendt (såsom E15- eller E85-blandinger), er ikke dækket af garantien.

**Andre undtagelser** - Denne garanti omfatter ikke skader, der skyldes uheld, misbrug, modifikationer, ændringer, u hensigtsmæssig servicering, frysning eller kemisk nedbrydning. Tilbehør og andre dele, der ikke oprindeligt fulgte med produktet, er heller ikke omfattet af garantien. Der findes ingen garantidækning på udstyr, der anvendes som primær strømkilde i stedet for elnettet, eller på udstyr der bruges til livreddende anvendelser. Denne garanti omfatter ikke brugt, reoveret genbrugsudstyr eller maskiner, der har været brugt til demonstrationsbrug. Denne garanti udelukker også fejl og svigt på grund af naturbegivenheder eller andre force majeure-begivenheder uden for producentens kontrol.

80015795 Revision A



# Vielen Dank

Vielen Dank für den Kauf dieses Snapper® - Qualitätsprodukts. Wir freuen uns, dass Sie Vertrauen in die Marke Snapper® haben. Bei Betrieb und Wartung gemäß der Angaben in dieser Bedienungsanleitung wird Ihr Produkt über viele Jahre zuverlässig funktionieren.

Diese Bedienungsanleitung enthält Sicherheitsinformationen, um Sie über die Gefahren und Risiken im Zusammenhang mit diesem Gerät zu informieren und Ihnen zu vermitteln, wie man sie vermeidet. Dieses Produkt ist ausschließlich für die in der Bedienungsanleitung beschriebene Verwendung konzipiert. Es ist wichtig, dass Sie die Anweisungen in der Bedienungsanleitung gründlich durchlesen und verstehen, bevor Sie dieses Produkt in Betrieb nehmen, verwenden oder warten. **Bewahren Sie diese Original-Bedienungsanleitung als Nachschlagewerk auf.**

Dieses Produkt muss vor der Verwendung fertig montiert werden. Dieser Vorgang wird in der Anleitung zum Zusammenbau beschrieben. Befolgen Sie strikt alle Anweisungen, bevor Sie das Produkt verwenden. Wenn Sie bei Montage, Betrieb oder Wartung des Produkts Unterstützung benötigen, wenden Sie sich bitte an Ihre Vertragswerkstatt vor Ort, besuchen Sie [snapper.com](http://snapper.com) oder melden Sie sich telefonisch unter 1-800-317-7833 (nur USA).

## Kennzeichnungsschild

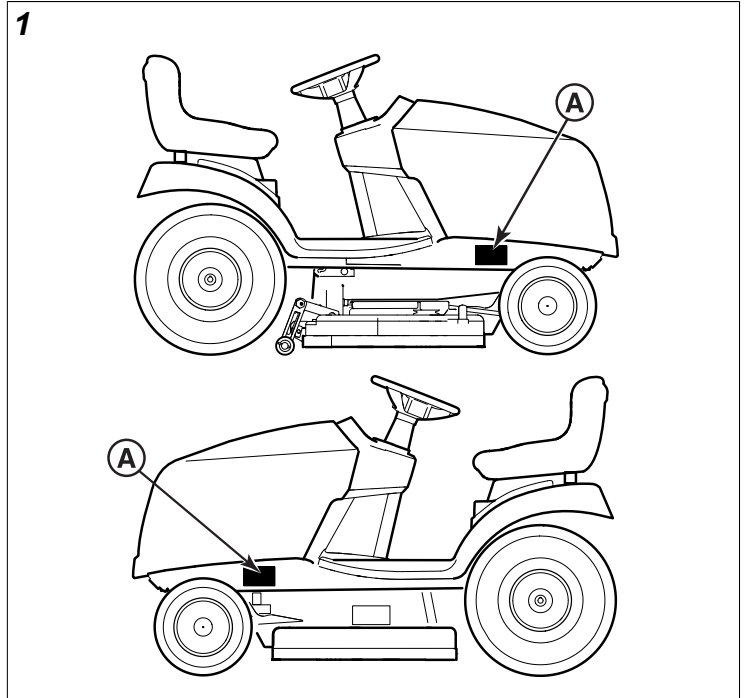
Tragen Sie Modellnamen bzw. -nummer, die Herstelleridentifikationsnummern und die Seriennummer des Motors in die hierfür vorgesehenen Felder ein, um diese leicht zur Hand zu haben.

Produktmodellnummer:	
Produktserienummer:	
Motormodellnummer:	
Motorkennzeichen/Seriennummer:	
Kaufdatum:	
Kaufort:	

Wenn Sie sich wegen Ersatzteilen, Serviceleistungen oder Informationen an einen Vertragshändler wenden, MÜSSEN Sie diese Nummern angeben.

Die illustrierte Ersatzteilliste für diese Maschine kann unter [snapper.com](http://snapper.com) heruntergeladen werden. Bitte geben Sie das Modell und die Seriennummer bei der Bestellung von Ersatzteilen an.

Die Stelle, an der das Kennzeichnungsschild (A) angebracht ist, geht aus folgender Abbildung hervor.



## Unsicherheit der Vibrationsmessung

**Unsicherheit der Vibrationsmessung** Die Maschinenvibration wurde unter Verwendung von Verfahren und Methoden aufgezeichnet, wie sie in den entsprechenden internationalen Standards beschrieben sind, die zum Zeitpunkt der Fertigung gültig waren. Die Unsicherheiten in Hinsicht auf die Messung können zu einer Abweichung von bis zu 5 % von dem Wert führen, der in der Konformitätserklärung bereits erklärt worden war.

## Produktgewährleistung

### Garantieerklärung

#### BESCHRÄNKTE GARANTIE

Briggs & Stratton garantiert während des nachstehend angegebenen Garantiezeitraums die kostenlose Reparatur oder Ersetzung von allen Teilen des Produkts, die Material- oder Verarbeitungsmängel oder beides aufweisen. Die beim Einschicken des Produkts zwecks Reparatur oder Austausch gemäß dieser Garantie entstehenden Transportkosten sind vom Käufer zu tragen. Diese Garantie ist für die unten genannten Zeiträume und Bedingungen wirksam. Für Garantieleistungen finden Sie den nächstgelegenen Vertragshändler mithilfe unserer Händlersuchkarte unter [snapper.com](http://snapper.com).

Der Käufer muss den Vertragshändler kontaktieren und diesem das Produkt für die Inspektion und Tests zur Verfügung stellen.

**Es besteht keine andere ausdrückliche Garantie. Andere Garantien, einschließlich der Garantie der handelsüblichen Qualität und Eignung für einen bestimmten Zweck, sind auf den unten angegebenen Garantiezeitraum oder das gesetzlich zulässige**



**Ausmaß beschränkt. Die Haftbarkeit für Folge- oder Begleitschäden ist soweit ausgeschlossen wie gesetzlich zulässig.** In einigen Bundesstaaten oder Ländern ist die Dauer der implizierten Garantie bzw. die Beschränkung von Folge- oder Begleitschäden nicht zulässig, daher könnte die oben genannte Beschränkung und Ausnahme eventuell nicht auf Sie zutreffen. Durch diese Garantie erhalten Sie spezielle Rechte, und von einem Staat zum anderen können Sie außerdem andere, von Land zu Land variierende Rechte haben.\*\*

## Garantiezeitraum

Artikel	Private Verwendung	Gewerblicher Einsatz
Gerät	36 Monate	3 Monate
Motor*	36 Monate	12 Monate
Batterie (falls Teil der Ausstattung)	12 Monate	12 Monate

\* Gilt nur für Briggs & Stratton® -Motoren. Die Garantieabdeckung für Motoren, die nicht von Briggs & Stratton sind, erfolgt durch den Hersteller dieser Motoren. Emissionsbezogene Komponenten sind von der Emissionsgarantie-Erklärung abgedeckt.

\*\*In Australien – Unsere Waren sind durch Garantien gedeckt, die laut dem australischen Konsumentenschutzgesetz nicht ausgeschlossen werden können. Bei erheblichen Fehlern haben Sie Anspruch auf Ersatz oder Erstattung, sowie auf Schadensersatz bei weiteren angemessen vorhersehbaren Verlusten oder Schäden. Darüber hinaus haben Sie Anspruch auf Reparatur oder Ersatz der Waren, falls diese nicht die zu erwartende Qualität aufweisen, und der Defekt keinen erheblichen Fehler darstellt. Für Garantieleistungen finden Sie den nächstgelegenen Vertragshändler mit Hilfe unserer Händlersuchkarte unter BRIGGSandSTRATTON.COM. Sie können sich jedoch auch telefonisch unter 1300 274 447, per E-Mail unter salesenquires@briggsandstratton.com.au oder schriftlich bei Briggs & Stratton Australia Pty Ltd, 1 Moorebank Avenue, NSW, Australien, 2170 nach dem nächstgelegenen Vertragshändler erkundigen.

Die Garantiezeit beginnt mit dem Datum des Kaufs durch den ersten Einzelverbraucher oder gewerblichen Endverbraucher. „Endverbraucher-Nutzung“ bedeutet die private Verwendung im eigenen Haushalt durch einen Einzelhandelskunden. „Gewerbliche Verwendung“ bedeutet für alle anderen Verwendungszwecke, einschließlich geschäftlicher Zwecke, zum Erzielen eines Einkommens oder für Maschinenverleih. Wenn das Produkt einmal gewerblich genutzt wurde, wird es im Sinne dieser Garantie als gewerblich genutztes Produkt betrachtet.

Zur Sicherung einer umgehenden und vollständigen Garantieabdeckung, registrieren Sie Ihr Produkt online unter [www.onlineproductregistration.com](http://www.onlineproductregistration.com).

Bewahren Sie Ihren Kaufbeleg gut auf. Wenn Sie zu dem Zeitpunkt, an dem Sie eine Garantieleistung fordern, keinen Nachweis für das Kaufdatum vorlegen können, wird zur Bestimmung des Garantiezeitraums das Herstellungsdatum

des Produkts verwendet. Eine Produktregistrierung ist für den Erhalt von Garantieleistungen auf Produkte von Briggs & Stratton nicht erforderlich.

## Zur Garantie

Garantieleistungen sind nur durch Snapper® -Vertragshändler durchzuführen. Diese Garantie erstreckt sich ausschließlich auf Material- und Verarbeitungsmängel. Sie deckt keine durch unsachgemäße Verwendung oder Missbrauch des Gerätes, unsachgemäße Wartung oder Reparatur, normale Abnutzung und Verschleiß oder alten oder nicht zugelassenen Kraftstoff ab.

**Unsachgemäße Verwendung und Missbrauch** – Der ordnungsgemäße, beabsichtigte Verwendungszweck dieses Produkts ist in der Bedienungsanleitung beschrieben. Die Verwendung des Produkts auf eine Weise, die in der Bedienungsanleitung nicht beschrieben ist, oder die Verwendung des Produkts nach Beschädigung ist nicht durch diese Garantie abgedeckt. Eine Garantieleistung ist ausgeschlossen, wenn die Seriennummer vom Produkt entfernt oder das Produkt auf irgendeine Weise verändert oder modifiziert wurde oder wenn das Produkt nachweislich unsachgemäß verwendet wurde, z. B. Schäden durch äußere Einwirkung oder Korrosionsschäden durch Wasser bzw. Chemikalien aufweist.

**Unsachgemäße Wartung oder Reparatur** – Dieses Produkt muss gemäß den in der Betriebsanleitung angegebenen Verfahren und Terminen gewartet und unter Verwendung von Originalersatzteilen von Briggs & Stratton repariert werden. Durch fehlende Wartung oder die Verwendung von Nicht-Originalersatzteilen verursachte Schäden sind von der Garantie nicht gedeckt.

**Normale Abnutzung** – Wie alle mechanischen Geräte unterliegt diese Maschine der normalen Abnutzung, selbst wenn sie ordnungsgemäß gewartet wird. Diese Garantie deckt keine Reparaturen ab, die erforderlich werden, wenn die Lebensdauer eines Teils oder des Geräts durch normalen Verschleiß erschöpft ist. Wartungs- und Verschleißteile, wie Filter, Riemen, Messer und Bremsbeläge (außer Motorbremsbeläge), sind allein aufgrund ihrer Verschleißigenschaften nicht durch die Garantie abgedeckt, es sei denn, die Schadensursache ist auf Material- oder Verarbeitungsmängel zurückzuführen.

**Alte oder unzulässige Kraftstoffe** – Für eine ordnungsgemäße Funktion benötigt dieses Produkt frischen Kraftstoff, der den in der Betriebsanleitung beschriebenen Kriterien entspricht. Schäden am Gerät oder am Motor, die durch abgestandenen Kraftstoff oder die Verwendung unzulässiger Kraftstoffe (z. B. die Ethanolmischungen E15 oder E85) verursacht wurden, sind nicht durch die Garantie abgedeckt.

**Weitere Ausnahmen** – Von dieser Garantie ausgenommen sind Beschädigungen durch Unfall, Missbrauch, Modifikationen, Änderungen, unsachgemäße Wartung, Einfrieren oder chemische Zersetzung. Anbaugeräte oder Zubehör, die nicht Teil der Originalverpackung des Produkts waren, sind von der Gewährleistung ausgenommen. Die Gewährleistung gilt nicht für Geräte, die als

Hauptenergieversorgung anstatt als Hilfsenergieversorgung verwendet werden bzw. für Geräte, die in lebenserhaltenden Anwendungen eingesetzt werden. Diese Garantie gilt nicht für gebrauchte, aufgearbeitete oder Vorführgeräte und -motoren sowie für Geräte und Motoren aus zweiter Hand. Diese Gewährleistung schließt Schäden aus, die auf höhere Gewalt und andere Einflüsse zurückzuführen sind und sich der Kontrolle durch den Hersteller entziehen.

80015795 Revision A

Not for  
Reproduction

## Σας ευχαριστούμε

Σας ευχαριστούμε που αγοράσατε αυτό το εξαιρετικής ποιότητας Snapper® προϊόν. Είμαστε ικανοποιημένοι που έχετε εμπιστοσύνη στη Snapper® μάρκα. Εφόσον ο χειρισμός και η συντήρηση του προϊόντος γίνονται σύμφωνα με τα εγχειρίδια, το εν λόγω προϊόν θα λειτουργεί αξιόπιστα για πολλά χρόνια.

Το Εγχειρίδιο Χειριστή περιέχει πληροφορίες ασφαλείας για να μπορέσετε να κατανοήσετε όλους τους πιθανούς κινδύνους που συνδέονται με τη μονάδα και πώς μπορείτε να τους αποφύγετε. Το συγκεκριμένο προϊόν σχεδιάστηκε για να χρησιμοποιείται όπως περιγράφεται στο Εγχειρίδιο Χειριστή και δεν προβλέπεται η χρήση του για κανέναν άλλο σκοπό. Είναι σημαντικό να διαβάσετε και να κατανοήσετε πλήρως τις οδηγίες στο εγχειρίδιο πριν επιχειρήσετε να ξεκινήσετε, να θέσετε σε λειτουργία ή να κάνετε σέρβις στο προϊόν. **Κρατήστε αυτές τις αρχικές οδηγίες για μελλοντική αναφορά.**

Το προϊόν απαιτεί τελική συναρμολόγηση, η οποία περιγράφεται στις Οδηγίες ρύθμισης. Πριν τη χρήση, βεβαιωθείτε ότι ακολουθείτε πλήρως τις οδηγίες. Εάν χρειαστεί βοήθεια για τη συναρμολόγηση, τη λειτουργία ή τη συντήρηση του προϊόντος, επικοινωνήστε με τον τοπικό σας Εξουσιοδοτημένο αντιπρόσωπο σέρβις ή επισκεφτείτε το [snapper.com](http://snapper.com) ή καλέστε το 1-800-317-7833 (στις ΗΠΑ μόνο).

## Ετικέτα αναγνώρισης

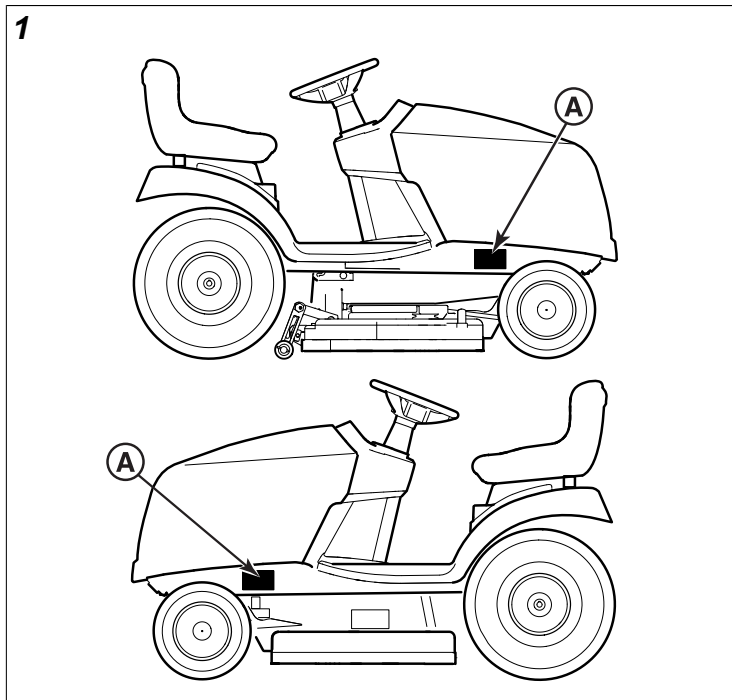
Να καταγράψετε τον αριθμό/όνομα του μοντέλου, τους αριθμούς ταυτοποίησης κατασκευαστή, και τους αριθμούς σειράς μηχανής στο χώρο που παρέχεται για εύκολη πρόσβαση.

Αριθμός μοντέλου προϊόντος:	
Σειριακός αριθμός προϊόντος:	
Αριθμός μοντέλο-τύπου κινητήρα:	
Κωδικός/Σειριακός αριθμός κινητήρα:	
Ημερομηνία αγοράς:	
Τόπος αγοράς:	

Όταν επικοινωνείτε με τον Εξουσιοδοτημένο Αντιπρόσωπο για ανταλλακτικά, σέρβις ή πληροφορίες ΠΡΕΠΕΙ να έχετε αυτούς τους αριθμούς.

Ο Εικονογραφημένος Κατάλογος Ανταλλακτικών για το συγκεκριμένο μηχάνημα είναι διαθέσιμος για λήψη στο [snapper.com](http://snapper.com). Όταν παραγγέλνετε ανταλλακτικά, πρέπει να αναφέρετε το μοντέλο και τον σειριακό αριθμό.

Για τη θέση της ετικέτας αναγνώρισης (A), ανατρέξτε στην παρακάτω εικόνα.



## Αβεβαιότητα μέτρησης δονήσεων

**Αβεβαιότητα μέτρησης δονήσεων** - για την καταγραφή των δονήσεων στο μηχάνημα χρησιμοποιήθηκαν οι μέθοδοι και οι διαδικασίες τις οποίες σκιαγραφούν τα ανάλογα διεθνή πρότυπα που ισχύουν την εποχή της κατασκευής του. Οι αβεβαιότητες που οφείλονται στη μέτρηση μπορεί να επιφέρουν μεταβλητότητα έως και 5% από τη δημοσιευμένη τιμή που υποδεικνύεται στη Δήλωση συμμόρφωσης».

## Εγγύηση προϊόντος Δήλωση εγγύησης ΠΕΡΙΟΡΙΣΜΕΝΗ ΕΓΓΥΗΣΗ

Η Briggs & Stratton εγγυάται ότι, κατά τη διάρκεια της περιόδου εγγύησης που καθορίζεται παρακάτω, θα επισκευάσει ή θα αντικαταστήσει χωρίς καμία χρέωση κάθε εξάρτημα που θα διαπιστωθεί ότι είναι ελαττωματικό λόγω υλικών ή κακοτεχνίας ή και για τους δύο αυτούς λόγους. Τα έξοδα μεταφοράς για τα προϊόντα που αποστέλλονται για επισκευή ή αντικατάσταση στο πλαίσιο της παρούσας εγγύησης επιβαρύνουν τον αγοραστή. Η παρούσα εγγύηση ισχύει για τα χρονικά διαστήματα και υπό τους όρους που αναφέρονται παρακάτω. Για εργασίες συντήρησης στο πλαίσιο της εγγύησης, βρείτε τον πλησιέστερο εξουσιοδοτημένο αντιπρόσωπο σέρβις στο πρόγραμμα εντοπισμού αντιπροσώπων στον ιστότοπό μας [snapper.com](http://snapper.com).

Ο αγοραστής πρέπει να επικοινωνήσει με τον εξουσιοδοτημένο αντιπρόσωπο σέρβις και, στη συνέχεια, να του παρουσιάσει το προϊόν για έλεγχο και δοκιμή.

**Δεν υπάρχει άλλη ρητή εγγύηση. Οι έμμεσες εγγυήσεις, συμπεριλαμβανομένων και των εγγυήσεων εμπορευσιμότητας και καταλληλότητας για συγκεκριμένο**

**σκοπό, περιορίζονται στην περίοδο της εγγύησης που αναφέρεται παρακάτω στον βαθμό που επιτρέπεται από τον νόμο. Οι ευθύνες για ακούσια ή αποθετική ζημιά εξαιρούνται στον βαθμό που επιτρέπεται από την ισχύουσα νομοθεσία.** Ορισμένες πολιτείες ή χώρες δεν επιτρέπουν περιορισμούς όσον αφορά τη διάρκεια των σιωπηρών εγγυήσεων και ορισμένες πολιτείες ή χώρες δεν επιτρέπουν την εξαίρεση ή τον περιορισμό της ακούσιας ή αποθετικής ζημιάς και, συνεπώς, ο περιορισμός και η εξαίρεση που προαναφέρονται μπορεί να μην ισχύουν για εσάς. Αυτή η εγγύηση σας παρέχει συγκεκριμένα νομικά δικαιώματα και μπορεί να έχετε επίσης και άλλα δικαιώματα τα οποία διαφέρουν από πολιτεία σε πολιτεία ή από χώρα σε χώρα.\*\*

## Περίοδος Εγγύησης

Στοιχείο	Καταναλωτική χρήση	Επαγγελματική χρήση
Εξοπλισμός	36 Μήνες	3 Μήνες
Κινητήρας*	36 Μήνες	12 Μήνες
Μπαταρία (αν υπάρχει)	12 Μήνες	12 Μήνες

\* Ισχύει μόνο για κινητήρες Briggs & Stratton®. Η κάλυψη μέσω εγγύησης για κινητήρες που δεν έχουν κατασκευαστεί από την Briggs & Stratton παρέχεται από τον κατασκευαστή των εν λόγω κινητήρων. Τα στοιχεία που σχετίζονται με τις εκπομπές καλύπτονται από τη Δήλωση εγγύησης περί εκπομπών.

\*\* Στην Αυστραλία - Τα προϊόντα μας συνοδεύονται από εγγυήσεις που δεν μπορούν να εξαιρεθούν από την Αυστραλιανή Νομοθεσία περί Προστασίας των Καταναλωτών. Δικαιούστε αντικατάσταση ή επιστροφή χρημάτων σε περίπτωση σοβαρής βλάβης και αποζημίωση σε περίπτωση οποιασδήποτε άλλης ευλόγως προβλέψιμης απώλειας ή βλάβης. Δικαιούστε επίσης επισκευή ή αντικατάσταση των προϊόντων, εάν η ποιότητα των προϊόντων είναι μη αποδεκτή, ακόμα και εάν η βλάβη δεν είναι σοβαρή. Για παροχή υπηρεσιών εντός εγγύησης, εντοπίστε τον πλησιέστερο εξουσιοδοτημένο αντιπρόσωπο σέρβις στον χάρτη εντοπισμού των αντιπροσώπων μας στην ιστοσελίδα BRIGGSandSTRATTON.COM ή καλέστε στο 1300 274 447 ή στείλτε μας e-mail στη διεύθυνση salesenquires@briggsandstratton.com.au, ή στείλτε μας salesenquires@briggsandstratton.com.au, Briggs & Stratton Australia Pty Ltd, 1 Moorebank Avenue, NSW, Australia, 2170.

Η περίοδος εγγύησης αρχίζει από την ημερομηνία αγοράς από τον πρώτο πελάτη λιανικής πώλησης ή καταναλωτή. «Καταναλωτική χρήση» σημαίνει προσωπική, κατ' οίκον χρήση από καταναλωτή προϊόντων λιανεμπορίου. Ο όρος «επαγγελματική χρήση» καλύπτει κάθε άλλη χρήση, συμπεριλαμβανομένης της χρήσης για σκοπούς εμπορίας, παραγωγής εισοδήματος ή ενοικίασης. Εφόσον το προϊόν χρησιμοποιηθεί για σκοπούς εμπορίας, βάσει των προαναφερθέντων η χρήση του θα θεωρηθεί εμπορική για τους σκοπούς της παρούσας εγγύησης.

Για να διασφαλίσετε την άμεση και πλήρη κάλυψη της εγγύησης, δηλώστε το προϊόν σας ηλεκτρονικά στην ιστοσελίδα [www.onlineproductregistration.com](http://www.onlineproductregistration.com).

Φυλάξτε την απόδειξη αγοράς. Εάν δεν προσκομίσετε αποδεικτικό της αρχικής αγοράς τη στιγμή της αίτησης για επισκευή βάσει της εγγύησης, ο προσδιορισμός της περιόδου εγγύησης θα βασιστεί στην ημερομηνία κατασκευής του προϊόντος. Η δήλωση του προϊόντος δεν είναι απαραίτητη για να δικαιούστε υπηρεσίες εγγύησης για τα προϊόντα της Briggs & Stratton.

## Σχετικά με την εγγύησή σας

Η παροχή υπηρεσιών εγγύησης είναι διαθέσιμη μόνο μέσω των εξουσιοδοτημένων αντιπροσώπων σέρβις της Snapper®. Η παρούσα εγγύηση καλύπτει μόνο ελαττώματα στο υλικό ή την κατασκευή. Δεν καλύπτει ζημιές που προκλήθηκαν από ακατάλληλη ή κακή χρήση, μη ενδεδειγμένες εργασίες συντήρησης ή επισκευής, φυσιολογική φθορά ή χρήση παλαιών ή μη εγκεκριμένων καυσίμων.

**Ακατάλληλη και κακή χρήση** - Η ενδεδειγμένη, προβλεπόμενη χρήση του συγκεκριμένου προϊόντος περιγράφεται στο Εγχειρίδιο χειριστή. Η χρησιμοποίηση του προϊόντος με τρόπο που δεν περιγράφεται στο Εγχειρίδιο χειριστή ή αφού παρουσιάσει βλάβη καθιστά την εγγύησή σας άκυρη. Η εγγύηση είναι άκυρη αν έχει αφαιρεθεί ο αριθμός σειράς από το προϊόν ή αν το προϊόν έχει υποστεί αλλαγές ή τροποποιήσεις με οποιονδήποτε τρόπο ή αν παρουσιάζει εμφανή σημεία κακής χρήσης, όπως ζημιά που οφείλεται σε χτυπήματα ή διάβρωση από νερό/χημικά.

**Μη ενδεδειγμένες εργασίες συντήρησης ή επισκευής** - Το προϊόν πρέπει να υποβάλλεται σε εργασίες συντήρησης με βάση όσα ορίζουν οι διαδικασίες και τα χρονοδιαγράμματα που παρέχει το Εγχειρίδιο χειριστή και κατά τις εργασίες συντήρησης ή επισκευής πρέπει να χρησιμοποιούνται γνήσια εξαρτήματα της Briggs & Stratton ή όμοια. Η ζημιά που προκλήθηκε από την έλλειψη συντήρησης ή τη χρήση μη γνήσιων εξαρτημάτων δεν καλύπτεται από την εγγύηση.

**Φυσιολογική φθορά** - Όπως και οι περισσότερες μηχανικές συσκευές, η μονάδα σας υπόκειται σε φθορά ακόμα και όταν συντηρείται σωστά. Η παρούσα εγγύηση δεν καλύπτει επισκευές όταν η διάρκεια ζωής ενός εξαρτήματος ή του εξοπλισμού έχει εξαντληθεί μετά από φυσιολογική χρήση. Τα στοιχεία που συντηρούνται και εμφανίζουν φθορά, όπως τα φίλτρα, οι ιμάντες, οι κοπτικές λεπίδες, τα τακάκια των φρένων (εκτός από τα τακάκια φρένων του κινητήρα) δεν καλύπτονται από την εγγύηση λόγω της φθοράς, εκτός αν η αιτία οφείλεται σε ελαττώματα υλικού ή κατασκευής.

**Παλαιά ή μη εγκεκριμένα καύσιμα** - Για τη σωστή λειτουργία του προϊόντος απαιτούνται φρέσκα καύσιμα τα οποία πρέπει να συμμορφώνονται προς τα κριτήρια που καθορίζονται στο εγχειρίδιο χειριστή. Η εγγύηση δεν καλύπτει ζημιές στον κινητήρα ή στον εξοπλισμό αν οφείλονται στη χρήση ξεθουμασμένων ή μη εγκεκριμένων καυσίμων (π.χ. μείγματα αιθανόλης E15 ή E85).

**Άλλες εξαιρέσεις** - Αυτή η εγγύηση αποκλείει βλάβες που οφείλονται σε ατύχημα, κακή χρήση, τροποποιήσεις, μετατροπές, ακατάλληλη συντήρηση, πάγωμα ή χημική

αλλοίωση. Επίσης, δεν καλύπτονται προσαρτήματα ή αξεσουάρ που δεν περιλαμβάνονταν στη αρχική συσκευασία του προϊόντος. Η παρούσα εγγύηση δεν καλύπτει εξοπλισμό που χρησιμοποιείται ως αρχική παροχή τροφοδοσίας αντί βοηθητικής παροχής τροφοδοσίας ή εξοπλισμό που χρησιμοποιείται σε εφαρμογές υποστήριξης ζωτικών λειτουργιών. Αυτή η εγγύηση δεν καλύπτει, εξοπλισμό επισκευασμένο, από δεύτερο χέρι, ή εξοπλισμό επίδειξης ή κινητήρες. Αυτή η εγγύηση εξαιρεί επίσης βλάβες που οφείλονται σε θεομηνίες και άλλα γεγονότα ανωτέρας βίας πέραν του ελέγχου του κατασκευαστή.

80015795 Revision A

Not for  
Reproduction

# Gracias

Gracias por adquirir este producto Snapper® de alta calidad. Nos complace que haya depositado su confianza en la marca Snapper®. Si lo maneja y mantiene tal y como se indica en estos manuales, este producto le proporcionará muchos años de funcionamiento confiable.

Este Manual del operario contiene información de seguridad para advertirle sobre los peligros y riesgos asociados con la unidad y cómo evitarlos. Este producto está diseñado para utilizarse tal y como se describe en el manual del operario y no puede usarse para ningún otro fin. Es importante que lea y comprenda perfectamente las instrucciones de este manual antes de intentar arrancar o usar este equipo. **Conserve estas instrucciones originales para su futura consulta.**

Este producto requiere un montaje final, que se describe en las instrucciones de montaje. Asegúrese de seguir completamente las instrucciones antes de utilizarlo. Si necesita ayuda con el montaje, el funcionamiento o el mantenimiento del producto, póngase en contacto con su distribuidor de servicio técnico autorizado o visite [snapper.com](http://snapper.com) o llame al 1-800-317-7833 (solo en EE. UU.).

## Etiqueta de identificación

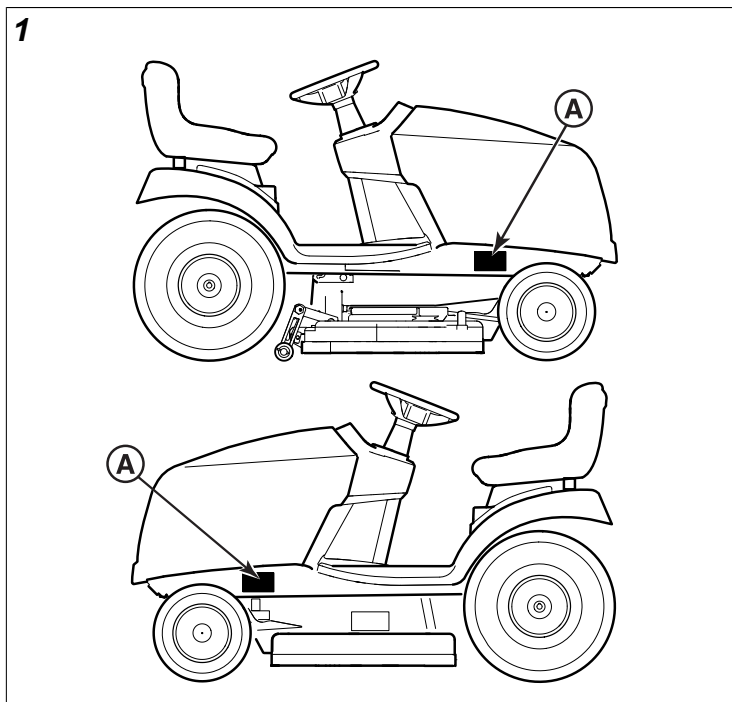
Registre el nombre y número de modelo, los números de identificación del fabricante y los números de serie del motor en el espacio provisto para fácil acceso.

Número de modelo del producto:	
Número de serie del producto:	
Número de modelo y tipo del motor:	
Número de código y de serie del motor:	
Fecha de compra:	
Lugar de compra:	

Cuando se ponga en contacto con el distribuidor autorizado para pedir piezas de repuesto, servicio o información, usted DEBE tener estos números.

Puede descargar la lista de piezas ilustrada de esta máquina de [snapper.com](http://snapper.com). Proporcione el modelo y el número de serie cuando solicite componentes de reemplazo.

Para ver la ubicación de la etiqueta de identificación (A), consulte la siguiente ilustración.



## Incertidumbre sobre la medición de la vibración

**Incertidumbre sobre la medición de la vibración** La vibración de la máquina se ha medido usando los métodos y los procedimientos descritos en normas internacionales apropiadas que están en vigor en el momento en que se fabrica este producto. La incertidumbre ocasionada por la medición puede traducirse en una variación de hasta el 5 % con respecto al dato publicado y que se muestra en la Declaración de conformidad.

## Garantía del producto

### Declaración de garantía

#### GARANTÍA LIMITADA

Briggs & Stratton garantiza que, durante el periodo de garantía especificado a continuación, reparará o reemplazará, sin cargo alguno, cualquier pieza defectuosa en cuanto a materiales, mano de obra o ambos. El comprador será responsable de pagar los cargos de transporte relativos a los productos enviados para reparación o sustitución según esta garantía. Esta garantía se mantiene vigente durante los periodos de tiempo indicados a continuación y está sujeta a dichos periodos y a las condiciones que se indican a continuación. Para recibir servicio de garantía, localice al distribuidor de servicio autorizado más cercano en nuestro mapa de localización de distribuidores en [snapper.com](http://snapper.com).

El comprador debe ponerse en contacto con el distribuidor de servicio autorizado y hacerle llegar el producto para que lo inspeccione y lo pruebe.

**No existe otra garantía expresa. Las garantías implícitas, incluidas las de comerciabilidad e idoneidad para un propósito en particular, están limitadas al periodo de garantía mencionado a continuación, o en la medida**

que lo permita la ley. La responsabilidad por daños directos o emergentes está excluida según lo permita la ley. Algunos estados o países no permiten limitaciones sobre la duración de una garantía implícita y algunos estados o países no permiten la exclusión o limitación de daños directos o indirectos, por lo que puede que las limitaciones y exclusiones anteriores no se apliquen en su caso. Esta garantía le otorga derechos legales específicos y también podría ejercer otros derechos que varían según su estado o país.\*\*

## Período de garantía

Artículo	Uso del consumidor	Uso comercial
Equipo	36 meses	3 meses
Motor*	36 meses	12 meses
Batería (si tiene)	12 meses	12 meses

\* Esto se aplica solamente para los motores Briggs & Stratton®. La cobertura de garantía de motores diferentes a los motores Briggs & Stratton la suministra el fabricante del motor. Los componentes relacionados con las emisiones están cubiertos por la declaración de garantía de emisiones.

\*\* En Australia, nuestros productos están cubiertos por garantías ineludibles de acuerdo con la legislación sobre consumo de este país. Tiene derecho a una sustitución o un reembolso por una avería importante y a compensación por cualquier otra pérdida o daño razonablemente previsible. También tiene derecho a una reparación o sustitución de productos si estos no son de una calidad aceptable y la avería no asciende a una avería importante. Para el servicio de garantía, busque el distribuidor de servicio autorizado más cercano en nuestro mapa de localización de distribuidores en BRIGGSandSTRATTON.COM o llame al 1300 274 447, o bien envíe un correo electrónico a salesenquires@briggsandstratton.com.au o escriba a Briggs & Stratton Australia Pty Ltd, 1 Moorebank Avenue, NSW, Australia, 2170.

El periodo de garantía comienza a partir de la fecha de compra realizada por el primer cliente de venta minorista o comercial. "Uso del consumidor" significa uso doméstico residencial personal por un consumidor minorista. "Uso comercial" significa todos los demás usos, como el uso para fines comerciales, de producción de renta o de alquiler. Una vez que el producto haya experimentado uso comercial, será considerado en adelante como producto de uso comercial para los fines de esta garantía.

Para garantizar una cobertura de garantía puntual y completa, registre su producto en el sitio web [www.onlineproductregistration.com](http://www.onlineproductregistration.com).

Guarde su comprobante de compra. Si no aporta la prueba de la fecha de compra inicial en el momento de solicitar el servicio de garantía, se utilizará la fecha de fabricación del producto para determinar el periodo de garantía. No se requiere registrar el producto para obtener el servicio de garantía para los productos Briggs & Stratton.

## Sobre su garantía

El servicio de garantía solo está disponible a través de los distribuidores de servicio autorizados de Snapper®. Esta garantía solo cubre defectos materiales y de mano de obra. No cubre los daños ocasionados por un uso incorrecto o un mal uso, mantenimiento o reparaciones inadecuadas, el desgaste y la rotura propios del uso, ni el uso de combustible en mal estado o no aprobado.

**Uso inadecuado y abuso** - El uso adecuado para el cual está diseñado este producto se describe en el Manual del operario. El uso del producto de alguna manera no descrita en el Manual del operario o el uso del producto una vez dañado, no estará cubierto por esta garantía. Además, no se entregará cobertura por garantía si el número de serie del producto ha sido retirado o el producto ha sido alterado o modificado de alguna forma, o si el producto presenta evidencias de abuso, tales como daño por impacto o daño por agua o corrosión química.

**Mantenimiento o reparación inadecuados** - El mantenimiento de este producto se debe realizar según los procedimientos y plazos provistos en el Manual del operario y se deben utilizar piezas originales de Briggs & Stratton o equivalentes. Los daños causados por la falta de mantenimiento o el uso de piezas no originales no están cubiertos por la garantía.

**Desgaste normal** - Al igual que todos los dispositivos mecánicos, su unidad está sujeta al desgaste, aun con el mantenimiento adecuado. Esta garantía no cubre reparaciones cuando el uso normal ha agotado la vida útil de una pieza o del equipo. Los accesorios y elementos de mantenimiento como filtros, correas, hojas cortantes y pastillas de freno (excepto las pastillas de freno de los motores) no están cubiertos por la garantía por sus propias características, a no ser que la causa sea un defecto del material o de fabricación.

**Combustible en mal estado o no aprobado** - Para que este producto funcione correctamente, se necesita combustible nuevo que cumpla los criterios especificados en el anual del usuario. El motor o los equipos dañados a causa de combustible en mal estado o por el uso de combustibles no aprobados (como las mezclas de etanol E15 o E85) no están cubiertos por la garantía.

**Otras exclusiones** - Esta garantía excluye los daños provocados por accidentes, mal uso, modificaciones, alteraciones, mantenimiento inadecuado, congelación o deterioro químico. Tampoco se incluyen los complementos que no se enviaron originalmente con el producto. No hay cobertura de garantía para los equipos que se usan para energía principal en lugar de energía de servicio o en los equipos que se usan en aplicaciones de asistencia vital. Esta garantía no incluye motores o equipos usados, reacondicionados, de segunda mano o de demostración. Esta garantía no incluye los fallos causados por hechos fortuitos u otros acontecimientos de fuerza mayor que escapan al control del fabricante.

80015795 Revision A



# Kiitos

Kiitos, että ostit tämän laadukkaan Snapper® -tuotteen.

Kiitämme luottamuksestasi Snapper® -tuotemerkkiä kohtaan. Kun tuotetta käytetään ja huolletaan käyttöohjekirjojen mukaisesti, se palvelee luotettavasti vuosia.

Käyttöohjekirja sisältää turvaohjeet, jotta oppisit tunnistamaan laitteeseen liittyvät vaarat ja riskit sekä välttämään niitä. Tämä tuote on suunniteltu käytettäväksi käyttöohjekirjassa kuvatulla tavalla, eikä sitä ole tarkoitettu mihinkään muuhun tarkoitukseen. On tärkeää, että luet ja sisäistät ohjeet perusteellisesti, ennen kuin yrität käynnistää, käyttää ja huoltaa laitetta. **Säästä nämä alkuperäiset ohjeet tulevan tarpeen varalle.**

Tuote on koottava valmiiksi. Tämä kuvataan Käyttöönotto-ohjeissa. Noudata ohjeita huolellisesti alusta loppuun, ennen kuin ryhdyt käyttämään tuotetta. Jos tarvitset apua laitteen kokoamisessa, käytössä tai huollossa, ota yhteyttä paikalliseen valtuutettuun huoltoliikkeeseen, käy osoitteessa [snapper.com](http://snapper.com) tai soita numeroon 1-800-317-7833 (vain Yhdysvalloissa).

## Tunnistemerkinä

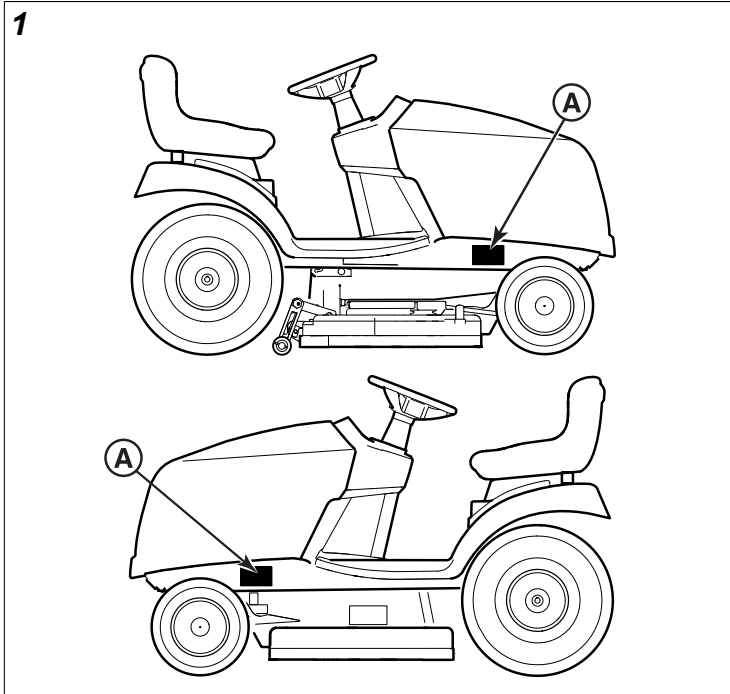
Kirjaa mallin nimi/numero, valmistajan tunnistenumero sekä moottorin sarjanumerot, kukin varattuun tilaansa, jotta löytäisit ne nopeasti.

Tuotteen mallinnumero:	
Tuotteen sarjanumero:	
Moottorin malli-/ tyyppinumero:	
Moottorin koodi/ sarjanumero:	
Ostopäivä:	
Ostopaikka:	

Otettaessa yhteyttä valtuutettuun jälleenmyyjän varaosahuoltoon, huoltoon tai muuhun tietoon liittyvissä asioissa, sinun TÄYTYY esittää nämä numerot.

Tämän koneen kuvallinen osaluettelo voidaan ladata osoitteesta [snapper.com](http://snapper.com). Ilmoita varaosia tilatessasi aina malli- ja sarjanumero.

Tunnistemerkin (A) löydät katsomalla seuraavaa havainnekuvaa.



## Tärinän mittauksen epätarkkuus

**Tärinän mittauksen epätarkkuus** - koneen tärinä on rekisteröity käyttämällä menetelmiä ja menettelyjä, jotka on suunniteltu asianmukaisten kansainvälisten, valmistushetkellä voimassa olevien, standardien mukaan. Mittauksesta johtuvat epätarkkuudet voivat aiheuttaa enintään 5 %:n varianssin verrattuna vaatimustenmukaisuuslausumassa esitettyyn arvoon.

## Tuotetakuu

### Takuuehdot

#### RAJOITETTU TAKUU

Briggs & Stratton takaa, että alla määritettynä takuuajana se korjaa tai vaihtaa veloituksetta osan tai osat, joissa on materiaali- ja/tai valmistusvika. Takuukorjattavan tai takuuvaihdettavan tuotteen kuljetuskustannukset on ostajan maksettava. Tämä takuu on voimassa alla esitetyn ajan ja alla esitetyillä ehdoilla. Jos tarvitset takuuhuoltoa, etsi lähin oman alueesi valtuutettu huoltomyyjä myymälähaustamme osoitteessa [snapper.com](http://snapper.com).

Ostajan täytyy olla yhteydessä valtuutettuun huoltomyyjään ja toimittaa tuote valtuutetulle huoltomyyjälle tarkistusta ja testausta varten.

**Muuta nimenomaista takuuta ei myönnetä. Epäsuorat takuut, mukaan lukien takuut myyntikelpoisuudesta ja soveltavuudesta johonkin tiettyyn tarkoitukseen, rajoittuvat takuuajkaan, joka on listattu alapuolella, tai lain sallimien rajojen mukaan. Vastuu tahattomista tai välillisistä vahingoista ei kuulu tämän takuun piiriin, jos laki sallii tällaisen takuurajoituksen. Jotkin osavaltiot tai maat eivät salli rajoituksia sen suhteen, kuinka pitkään epäsuora takuu kestää, ja jotkin osavaltiot tai maat eivät**

salli satunnaisten tai välillisten vahinkojen poissulkemista tai rajoittamista, joten yläpuolella mainittu rajoitus ja poissulkeminen ei välttämättä koske sinua. Tämä takuu antaa sinulle nimenomaiset lailliset oikeudet ja sinulla voi olla myös muita Suomen lain mukaisia oikeuksia.\*\*

## Takuuaika

Kohde	Kuluttajakäyttö	Kaupallinen käyttö
Laitteisto	36 kuukautta	3 kuukautta
Moottori*	36 kuukautta	12 kuukautta
Akku (jos sellainen on)	12 kuukautta	12 kuukautta

\* Koskee vain Briggs & Stratton® -moottoreita. Muiden kuin Briggs & Stratton -moottorien takuun myöntää aina kyseisen moottorin valmistaja. Päästöihin liittyvät komponentit kuuluvat päästöjä koskevan takuuilmoituksen piiriin.

\*\* Australia – Tuotteissamme on takuu, jota ei Australian kuluttajansuojalain nojalla voi sivuuttaa. Asiakkaalla on vaihto- tai hyvitysoikeus, mikäli kyseessä on merkittävä vika sekä oikeus korvaukseen, mikäli kyseessä on jokin muu kohtuudella ennakoitu menetys tai vaurio. Asiakkaalla on myös oikeus tuotteiden korjaukseen tai vaihtoon, mikäli tuotteiden laatu ei ole hyväksyttävä, vaikka vikaa ei katsottaisikaan merkittäväksi viaksi. Ota takuuhuoltoon liittyvissä asioissa yhteyttä lähimpään valtuutettuun Briggs & Stratton -huoltoliikkeeseen, joka on jälleenmyyjäkartalla osoitteessa BRIGGSandSTRATTON.COM. Voit myös soittaa numeroon +1 300 274 447 tai lähettää sähköpostia tai postia osoitteisiin salesenquires@briggsandstratton.com.au, Briggs & Stratton Australia Pty Ltd, 1 Moorebank Avenue, Moorebank, NSW, Australia, 2170.

Takuuaika alkaa sinä päivänä, kun ensimmäinen kuluttaja-asiakas tai kaupallinen asiakas ostaa laitteen vähittäismyymälästä. "Kuluttajakäytöllä" tarkoitetaan vähittäismyynniasiakkaan henkilökohtaista kotitalouskäyttöä. "Kaupallisella käytöllä" tarkoitetaan kaikkea muuta käyttöä, kuten käyttöä kaupalliseen toimintaan, tulonhankintaan tai vuokraukseen. Kun tuote on kerran ollut kaupallisessa käytössä, sen katsotaan siitä alkaen olevan kaupallisessa käytössä koko takuuajan.

Nopean ja täydellisen takuun kattavuuden varmistamiseksi rekisteröi tuote verkossa osoitteessa onlineproductregistration.com.

Säilytä kuitti todisteena ostosta. Mikäli laitteen alkuperäistä ostopäivää ei pystytä osoittamaan takuuhuoltoon pyydettyäessä, pidetään tuotteen valmistuspäivää takuuajan alkamispäivänä. Tuotteen rekisteröintiä ei vaadita takuuhuollon saamiseksi Briggs & Stratton -tuotteille.

## Takuuehdot

Takuuhuolto on käytettävissä ainoastaan valtuutettujen Snapper® huoltomyyjien kautta. Tämä takuu kattaa ainoastaan materiaali- ja valmistusviat. Se ei kata virheellisestä käytöstä tai väärinkäytöstä, virheellisestä kunnossapidosta tai korjauksesta, tavanomaisesta

kulumisesta taikka vanhentuneesta tai hyväksymättömästä polttoaineesta aiheutuneita vahinkoja.

**Virheellinen käyttö ja väärinkäyttö** – Tämän tuotteen oikea käyttö, johon se on tarkoitettu, on kuvattu käyttöohjekirjassa. Tuotteen käyttäminen muulla kuin käyttöohjeessa kuvatulla tavalla tai tuotteen käyttäminen sen vahingoittumisen jälkeen eivät kuulu tämän takuun piiriin. Takuu ei ole voimassa myöskään silloin, jos tuotteen sarjanumero on poistettu tai tuotetta on sormeiltu tai muutettu jollain tapaa tai jos tuotteessa on merkkejä väärinkäytöstä, kuten osumisjälkiä tai veden/kemikaalien aiheuttamia syöpymisvaurioita.

**Virheellinen kunnossapito tai korjaus** – Tätä tuotetta on huollettava käyttöohjeessa kuvattujen menettelyjen ja huoltovälien mukaisesti, ja sen huollossa ja korjauksissa on käytettävä aitoja Briggs & Stratton -osia. Takuu ei kata vahinkoja, jotka aiheutuvat huollon puutteesta tai e-alkuperäisten osien käytöstä.

**Normaali kuluminen** – Useimpien mekaanisten laitteiden tavoin hankkimasi kone kuluu, vaikka sitä huolletaankin asianmukaisesti. Takuu ei korvaa osan tai laitteen normaalin kulumisen aiheuttamia korjauskustannuksia. Esimerkiksi suodattimien, hihnojen, leikkuuterien ja jarrupalojen (moottorin jarrupaloja lukuun ottamatta, jotka kuuluvat takuun piiriin) kaltaiset huollettavat ja kuluvat osat eivät kuulu takuun piiriin pelkästään kulumisen vuoksi, vaan niissä on oltava materiaali- tai valmistusvika.

**Vanha tai hyväksymätön polttoaine** – Toimiakseen oikein tämä tuote tarvitsee tuoretta polttoainetta, joka täyttää käyttöohjeessa määritellyt vaatimukset. Takuu ei kata vanhan polttoaineen tai hyväksymättömän polttoaineen (kuten E15- tai E85-etanolisekoituksen) käytön moottorille tai laitteelle aiheuttamia vikoja.

**Muut takuuseen kuulumattomat seikat** – Tämä takuu ei koske vaurioita, jotka johtuvat vahingosta, väärinkäytöstä, muokkauksista, muutoksista, epäasianmukaisesta huollosta, jäätymisestä tai kemiallisesta heikkenemisestä. Takuu ei myöskään koske lisäosia tai -varusteita, joita ei toimitettu tuotteen mukana alun perin. Takuu ei kata laitteita, joita käytetään ensisijaisena virtalähteenä hyötysähkön sijaan, eikä laitteita, joita käytetään elvytystarkoituksiin. Takuu ei koske käytettyjä, uudelleenkorjattuja, käytettynä ostettuja tai esittelykäytössä olleita laitteita tai moottoreita. Takuu ei kata vikoja, jotka johtuvat luonnonmullistuksista tai muista ylivoimaisista esteistä, joihin valmistaja ei voi vaikuttaa.

80015795 Revision A

# Merci

Nous vous remercions d'avoir acheté ce produit Snapper® de qualité. Nous nous réjouissons de la confiance que vous accordez à la marque Snapper®. Si elle est utilisée et entretenue conformément aux instructions de ce manuel, ce produit vous fournira de nombreuses années de service fiable.

Ce Manuel de l'utilisateur contient des informations de sécurité pour que vous preniez connaissance des dangers et des risques associés à l'unité et de la manière de les éviter. Cette machine a été conçue pour être utilisée comme décrit dans le Manuel de l'utilisateur et non à d'autres fins. Il est important que de lire et comprendre parfaitement ces instructions avant d'essayer de mettre en marche, d'utiliser ou de réparer cette machine. **Conserver ces instructions d'origine pour référence future.**

Cet appareil nécessite un assemblage final, qui est décrit dans les instructions de montage. Assurez-vous de suivre les instructions scrupuleusement avant utilisation. Si vous avez besoin d'aide pour le montage, le fonctionnement ou l'entretien du produit, veuillez contacter votre réparateur agréé, consulter le site [snapper.com](http://snapper.com) ou composer le 1-800-317-7833 (aux USA seulement).

## Étiquette d'identification

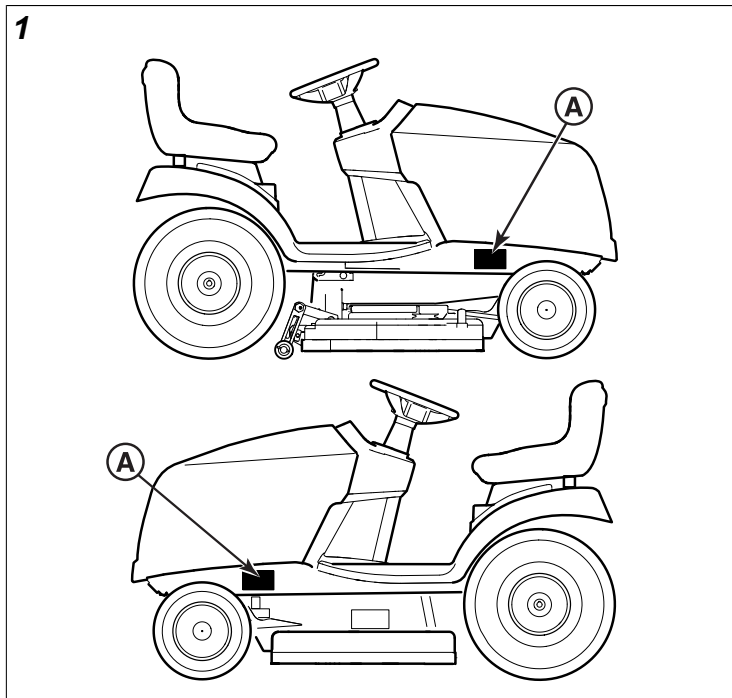
Noter le nom/numéro du modèle, les numéros d'identification du fabricant et les numéros de série du moteur dans l'espace prévu pour un accès facile.

Référence du modèle du produit :	
Numéro de série du produit :	
Numéro de modèle-type du moteur :	
Numéro de code/série du moteur :	
Date d'achat :	
Lieu d'achat :	

Lorsque vous contactez le Revendeur autorisé pour obtenir des pièces de rechange, des réparations ou toute information, vous DEVEZ disposer de ces numéros.

La Nomenclature des pièces illustrées pour cette machine peut être téléchargée sur le site [snapper.com](http://snapper.com). Fournir le modèle et le numéro de série au moment de commander les pièces de rechange.

Pour l'emplacement de l'étiquette d'identification (A), reportez-vous à l'illustration suivante.



## Incertitude de la mesure des vibrations

**Incertitude de mesure des vibrations** - les vibrations de la machine ont été enregistrées en faisant appel à des méthodes et des procédures décrites dans les normes internationales appropriées en vigueur au moment de la fabrication. Les incertitudes relatives à la mesure peuvent entraîner un écart allant jusqu'à 5 % de la valeur publiée dans la Déclaration de conformité.

## Garantie produit Déclaration de garantie GARANTIE LIMITÉE

Durant la période de garantie spécifiée ci-dessous, Briggs & Stratton réparera ou remplacera, sans frais, toute pièce présentant des défauts matériels ou de fabrication. Dans le cadre de cette garantie, les frais de transport du produit à réparer ou remplacer seront à la charge de l'acheteur. Cette garantie est applicable pendant la période et aux conditions stipulées ci-dessous. Pour les réparations couvertes par la garantie, trouvez le réparateur agréé le plus proche de chez vous à l'aide de la carte de localisation de nos revendeurs sur [snapper.com](http://snapper.com).

L'acheteur doit contacter le distributeur agréé, puis lui confier le produit à des fins d'inspection et de test.

**Il n'existe aucune autre garantie expresse. Les garanties implicites, y compris celles de qualité marchande et d'adéquation à un usage particulier sont limitées à la période de garantie indiquée ci-dessous, ou dans la mesure permise par la loi. Les responsabilités relatives aux dommages consécutifs ou indirects sont exclues dès lors que cette exclusion est autorisée par la loi.** Certains États ou pays n'autorisent pas les limitations de durée de la

garantie implicite. Certains États ou pays n'autorisent pas l'exclusion ou la limitation des dommages consécutifs ou indirects. Dans ce cas, la limitation et l'exclusion ci-dessus ne s'appliquent pas à votre cas. La présente garantie vous offre des droits juridiques spécifiques et il se peut que vous ayez d'autres droits qui varient d'une juridiction à une autre, ou de pays à pays.\*\*

## Période de garantie

Article	Utilisation par le consommateur	Usage professionnel
Équipement	36 mois	3 mois
Moteur*	36 mois	12 mois
Batterie (si la machine en est équipée)	12 mois	12 mois

\* S'applique uniquement aux moteurs de Briggs & Stratton®. La couverture de garantie des moteurs qui ne sont pas fabriqués par Briggs & Stratton est fournie par le fabricant de ce moteur. Les pièces relatives au contrôle des émissions sont garanties par la Déclaration de garantie relative au contrôle des émissions.

\*\* En Australie – Nos produits sont accompagnés de garanties qui ne peuvent être exclues en vertu de la loi australienne de protection des consommateurs (Australian Consumer Law). Vous avez droit à un remplacement ou à un remboursement pour une défaillance majeure et à une compensation pour toute perte ou tout dommage raisonnablement prévisibles. Vous êtes également en droit de faire réparer ou remplacer des produits si ceux-ci ne sont pas de qualité acceptable et que la défaillance n'est pas une défaillance majeure. Pour les réparations couvertes par la garantie, trouvez le concessionnaire agréé le plus proche de votre domicile au moyen de la carte de localisation de nos revendeurs sur le site BRIGGSandSTRATTON.COM, en appelant au 1-300-274-447, en envoyant un e-mail à salesenquires@briggsandstratton.com.au, ou en écrivant à Briggs & Stratton Australia Pty Ltd, 1 Moorebank Avenue, NSW, Australie, 2170.

La garantie commence à la date d'acquisition du produit par le premier consommateur de détail ou commercial. L'expression « utilisation par le consommateur » renvoie à une utilisation personnelle, privée et domestique par un consommateur de détail. L'expression « usage professionnel » renvoie à toutes les autres utilisations possibles, y compris commerciales, créatrices de revenus ou à des fins de location. Du moment qu'un produit a été utilisé dans un but commercial, il sera dès lors considéré comme un produit à usage professionnel aux fins de la présente garantie.

Pour assurer une couverture rapide et complète de la garantie, enregistrez votre produit en ligne sur [www.onlineproductregistration.com](http://www.onlineproductregistration.com).

Conservez le reçu de votre achat. Si vous ne pouvez pas fournir la preuve de la date d'achat initiale au moment de la demande de réparation couverte par la garantie, la date de fabrication du produit sera utilisée pour déterminer la

validité de la garantie. Il n'est pas nécessaire d'enregistrer le produit pour bénéficier de la garantie sur les produits Briggs & Stratton.

## Au sujet de votre garantie

La garantie ne peut être appliquée que par le biais des concessionnaires agréés des Snapper®. Cette garantie couvre uniquement les vices de matériau ou de fabrication. Elle ne couvre pas les dommages causés par une utilisation inadéquate ou un abus, un entretien ou des réparations inappropriés, l'usure normale ou du carburant éventé ou non approuvé.

**Utilisation inadéquate ou abus** - L'utilisation appropriée et prévue de ce produit est décrite dans le manuel d'utilisation. L'utilisation du produit de façon autre que celle décrite dans le manuel d'utilisation ou son utilisation après qu'il ait été endommagé ne sera pas couverte par cette garantie. Vous ne pourrez vous prévaloir de la garantie si le numéro de série du produit a été retiré, si le produit a été altéré ou modifié de quelque manière que ce soit ou s'il présente des preuves d'utilisation inadéquate, telles que des marques d'impact ou de corrosion par l'eau ou des produits chimiques.

**Entretien ou réparations inappropriés** - Ce produit doit être entretenu conformément aux procédures et programmes d'entretien décrits dans le manuel d'utilisation. En outre, il doit être dépanné ou réparé en utilisant des pièces Briggs & Stratton d'origine ou équivalentes. Les dommages causés par un manque d'entretien ou par l'utilisation de pièces n'étant pas d'origine ne sont pas couverts par la garantie.

**Usure normale** - Comme la plupart des appareils mécaniques, votre unité est sujette à l'usure même lorsqu'adéquatement entretenue. La présente garantie ne couvre pas les réparations lorsqu'une pièce ou l'équipement devient usé(e) suite à une utilisation normale. Les articles d'entretien et d'usure, tels que les filtres, courroies, lames et plaquettes de freins (à l'exception des plaquettes de frein moteur) ne sont pas couverts par la garantie en raison de leur caractéristique d'usure uniquement, à moins que la cause résulte de vices de matériau ou de fabrication.

**Carburant éventé ou non approuvé** - Afin de fonctionner correctement, ce produit exige du carburant frais conforme aux critères spécifiés dans le manuel d'utilisation. Les dommages sur le moteur ou l'équipement causés par du carburant éventé ou l'utilisation de carburants non approuvés (comme les mélanges d'éthanol E15 ou E85) ne sont pas couverts par la garantie.

**Autres exclusions** - La présente garantie exclut les dommages causés par un accident, un usage abusif, des modifications, des altérations, un entretien inapproprié, des détériorations dues au gel ou à des produits chimiques. Les pièces et accessoires qui n'ont pas été fournis d'origine avec le produit sont également exclus. Il n'existe aucune couverture de garantie pour le matériel utilisé pour l'alimentation principale à la place de l'alimentation de secteur ni sur le matériel utilisé pour des applications médicales. Cette garantie ne couvre pas les équipements et moteurs usés, rénovés, d'occasion ou de démonstration. Cette

garantie ne couvre pas les défaillances provoquées par des catastrophes naturelles ou autres cas de force majeure hors du contrôle du fabricant.

80015795 Revision A

Not for  
Reproduction

# Grazie

La ringraziamo per avere acquistato questo prodotto Snapper® di alta qualità. Siamo lieti che abbia fiducia nel marchio Snapper®. Se viene utilizzato e mantenuto seguendo le istruzioni del manuale, questo prodotto garantisce un funzionamento ottimale per molti anni.

Il manuale dell'operatore contiene informazioni di sicurezza finalizzate a rendere l'utente consapevole dei pericoli e dei rischi associati a questa unità, e sul modo di evitarli. Questo prodotto è stato progettato per essere utilizzato come descritto nel manuale dell'operatore e non è destinato ad alcun altro scopo. È importante leggere e comprendere completamente le istruzioni riportate nel manuale prima di cercare di avviare, utilizzare o fornire assistenza al prodotto.

**Conservare queste istruzioni per futuro riferimento.**

Questo prodotto richiede un montaggio finale, descritto nelle istruzioni per l'installazione. Seguire completamente tali istruzioni prima dell'uso. Se si ha bisogno di aiuto per l'assemblaggio, il funzionamento o la manutenzione dell'unità contattare l'officina autorizzata di zona oppure visitare il sito [snapper.com](http://snapper.com), o ancora telefonare al numero 1-800-317-7833 (solo per gli USA).

## Targhetta di identificazione

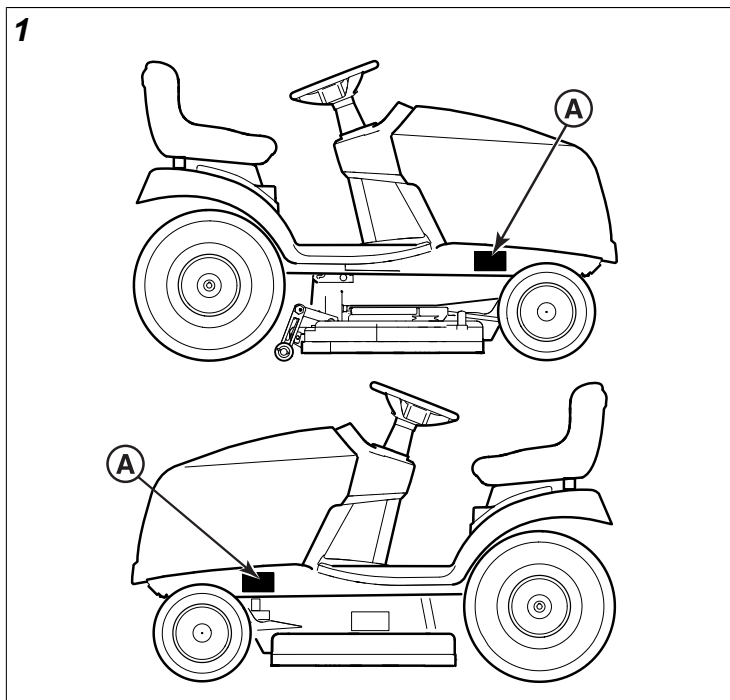
Per averli facilmente a portata di mano, annotare il nome/numero del modello, i numeri di riconoscimento del produttore e i numeri di matricola del motore nello spazio apposito.

Numero modello del prodotto:	
Numero di serie prodotto:	
Codice tipo modello motore:	
Numero di serie/codice del motore:	
Data dell'acquisto:	
Sede dell'acquisto:	

Quando ci si mette in contatto con il Rivenditore autorizzato per ordinare pezzi di ricambio, richiedere interventi o ottenere informazioni si DEVONO avere a disposizione questi numeri.

Il Catalogo ricambi illustrato relativo a questa macchina può essere scaricato da [snapper.com](http://snapper.com). Quando si ordinano pezzi di ricambio fornire modello e numero di serie.

Per la posizione della targhetta di identificazione (A) fare riferimento alla seguente illustrazione.



## Incertezza di misurazione della vibrazione

**Incertezza di misurazione della vibrazione** - la vibrazione della macchina è stata registrata usando metodi e procedure descritti negli standard internazionali relativi in vigore al momento della produzione. Le incertezze di misurazione possono dare come risultato uno scostamento fino al 5% dal valore pubblicato presente nella Dichiarazione di conformità.

## Garanzia del prodotto

### Dichiarazione di garanzia

#### GARANZIA LIMITATA

Briggs & Stratton garantisce che, durante il periodo di garanzia specificato di seguito, provvederà alla riparazione o alla sostituzione gratuita di qualunque parte che presenti difetti di materiale o di lavorazione o entrambi. Le spese di trasporto del prodotto di cui si richiede la sostituzione o riparazione in garanzia sono a carico dell'acquirente. La presente garanzia risulta valida per il periodo di tempo indicato nel presente documento ed è soggetta alle condizioni indicate di seguito. Per l'assistenza in garanzia, trovare il centro di assistenza autorizzato più vicino usando il nostro strumento di ricerca concessionari su [snapper.com](http://snapper.com).

L'acquirente dovrà contattare il Centro di assistenza autorizzato e mettere a disposizione di quest'ultimo il prodotto per l'ispezione e la verifica.

**Non vi è alcun'altra garanzia esplicita. Le garanzie implicite, comprese quelle di commerciabilità e idoneità ad uno scopo particolare, sono limitate al periodo di garanzia indicato di seguito o a quanto consentito dalla legge. Le responsabilità per danni incidentali o indiretti sono escluse nella misura consentita dalla legge.** Alcuni stati o paesi non permettono limitazioni al periodo di validità

di una garanzia implicita e alcuni stati o paesi non permettono l'esclusione o la limitazione della responsabilità per danni incidentali o indiretti, per cui le limitazioni sopra riportate potrebbero non applicarsi al vostro caso. La presente garanzia concede all'utente specifici diritti legali e lo stesso potrebbe avere altri diritti che variano da stato a stato o da Paese a Paese.\*\*

## Periodo di garanzia

Articolo	Uso privato	Utente commerciale
Apparecchio	36 mesi	3 mesi
Motore*	36 mesi	12 mesi
Batteria (se in dotazione)	12 mesi	12 mesi

\* Si applica solo ai motori Briggs & Stratton®. La garanzia di motori non prodotti da Briggs & Stratton è fornita dal rispettivo costruttore. I componenti relativi alle emissioni sono coperti dalla dichiarazione di garanzia sulle emissioni (Emissions Warranty Statement).

\*\* In Australia - I nostri prodotti hanno garanzie che non possono essere escluse ai sensi della Australian Consumer Law. L'utente ha diritto alla sostituzione o al rimborso in caso di guasto grave e a un indennizzo per ogni altra perdita o danno ragionevolmente prevedibile. L'utente ha pertanto diritto alla riparazione o alla sostituzione della merce qualora questa non sia di qualità accettabile e il guasto non sia equiparabile a un guasto grave. Per l'assistenza in garanzia, trovate il Centro di assistenza autorizzato più vicino tramite lo strumento di ricerca disponibile sul sito BRIGGSandSTRATTON.COM, oppure chiamando il numero telefonico 1300 274 447, oppure scrivendo tramite e-mail o posta ordinaria a salesenquires@briggsandstratton.com.au, Briggs & Stratton Australia Pty Ltd, 1 Moorebank Avenue, NSW, Australia, 2170.

Il periodo di garanzia decorre dalla data di acquisto del primo acquirente, sia esso un utente consumatore o professionale. Per "uso privato" si intende l'utilizzo effettuato da un acquirente al dettaglio presso la propria residenza. Per "uso commerciale" si intendono tutti gli altri usi, compresi gli usi commerciali, che generano reddito o il noleggio. Se il prodotto viene utilizzato a fini commerciali, ai fini della presente garanzia sarà quindi considerato come soggetto ad uso professionale.

Per assicurare l'applicazione immediata e totale della garanzia, è necessario registrare il proprio prodotto visitando il sito [www.onlineproductregistration.com](http://www.onlineproductregistration.com).

Conservare lo scontrino di ricevuta dell'acquisto. Qualora l'acquirente non sia in grado di fornire la prova della data dell'acquisto iniziale nel momento della richiesta di assistenza, il periodo di garanzia verrà determinato utilizzando la data di produzione. Ai fini dell'applicazione della garanzia, non è necessaria la registrazione del prodotto Briggs & Stratton.

## Informazioni sulla garanzia

Gli interventi di assistenza in garanzia sono disponibili solo presso i Rivenditori di assistenza autorizzati Snapper®. Questa garanzia si applica solo in casi di difetti di materiali o di lavorazione. Non copre i danni provocati da uso improprio o abuso, manutenzione o riparazioni non corrette, usura e rotture normali o carburante scaduto o non approvato.

**Utilizzo improprio e abuso** - Il corretto uso previsto per questo prodotto è quello descritto nel Manuale per l'operatore. L'uso del prodotto in un modo diverso da quanto descritto nel Manuale per l'operatore, o l'uso del prodotto danneggiato, invalida la garanzia. La garanzia non è valida anche se il numero di serie del prodotto è stato rimosso o se il prodotto è stato alterato o modificato in qualunque modo o se il prodotto presenta prove di abuso quali danni da impatti o danni da corrosione per acqua/sostanze chimiche.

**Manutenzione o riparazioni non corrette** - Questo prodotto deve ricevere la manutenzione prevista secondo le procedure e i programmi contenuti nel Manuale per l'operatore; l'assistenza e le riparazioni devono essere effettuate usando componenti originali Briggs & Stratton o equivalenti. I danni provocati da mancanza di manutenzione o da uso di componenti non originali non sono coperti da garanzia.

**Consumo e usura normali** - Come tutti i dispositivi meccanici, questa unità è soggetta ad usura anche se correttamente mantenuta. La presente garanzia non copre la riparazione nel caso in cui il prodotto o la parte siano giunti al termine della loro durata di uso normale. Gli articoli usati per la manutenzione e soggetti ad usura quali filtri, cinghie, lame di taglio e pastiglie per freni (le pastiglie per i freni del motore sono coperte) non sono coperti da garanzia per le sole caratteristiche di usura, a meno che la causa sia dovuta a difetti di materiali o lavorazione.

**Carburante scaduto o non approvato** - Per funzionare in modo corretto, questo prodotto richiede l'uso di carburante fresco che sia conforme ai dati specificati nel Manuale per l'operatore. Eventuali danni al motore o all'apparecchiatura causati dall'uso di carburanti non approvati (ad esempio, miscele di etanolo E15 o E85) non sono coperti dalla garanzia.

**Altre esclusioni** - Questa garanzia non comprende eventuali danni dovuti ad incidenti, uso non appropriato, modifiche, alterazioni, manutenzione non adeguata, congelamento o deterioramento chimico. Sono anche esclusi pezzi aggiuntivi e accessori non inclusi nella confezione originale del prodotto. Non viene fornita alcuna garanzia per le apparecchiature usate per l'alimentazione primaria al posto del servizio pubblico o per apparecchiature usate in applicazioni salvavita. La presente garanzia non copre apparecchiature o motori usati, revisionati, di seconda mano o usati per dimostrazioni. Questa garanzia esclude guasti dovuti ad atti di Dio e altri eventi di forza maggiore al di là del controllo del produttore.

80015795 Revision A



# Hartelijk dank

Hartelijk dank voor de aankoop van dit hoogwaardige Snapper® product. Wij zijn blij dat u vertrouwen hebt in het Snapper®-merk. Bij bediening en onderhoud volgens de handleidingen, biedt dit product jarenlange betrouwbare dienst.

De gebruikershandleiding bevat veiligheidsinformatie om u bewust te maken van de gevaren en risico's in verband met het product en hoe u deze kunt vermijden. Dit product is ontworpen om gebruikt te worden zoals beschreven wordt in de gebruikershandleiding en is niet bedoeld voor enig ander doel. Het is belangrijk dat u deze instructies leest en begrijpt voordat u het product probeert te starten, bedienen of onderhouden. **Bewaar deze originele instructies voor toekomstig gebruik.**

Bij dit product moet nog een eindmontage worden uitgevoerd, die wordt beschreven in de installatie-instructies. Voer de complete instructies uit voordat u het product gebruikt. Neem als u hulp nodig hebt bij de montage, de bediening of het onderhoud van de eenheid contact op met uw plaatselijke erkende servicedealer of ga naar [snapper.com](http://snapper.com) of bel het nummer 1-800-317-7833 (alleen in de VS).

## Identificatieplaatje

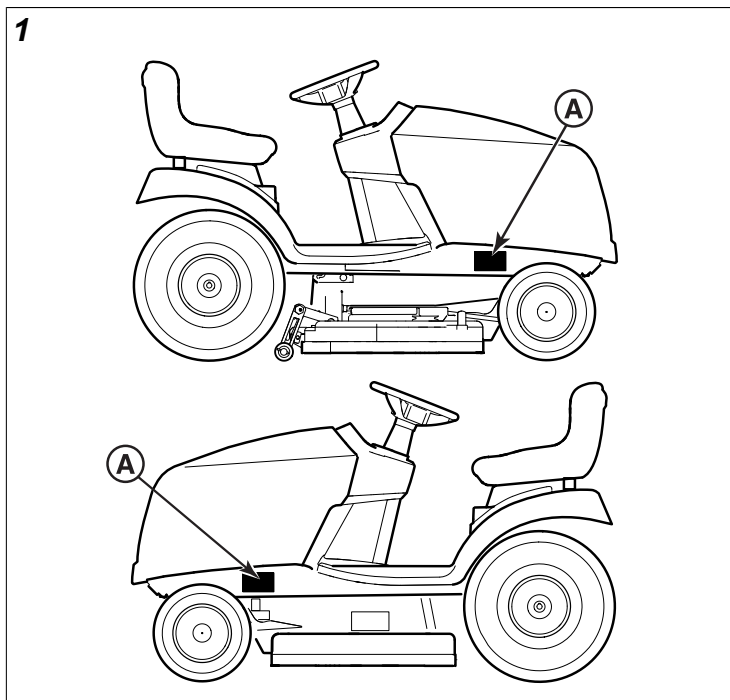
Noteer de naam en het nummer van het model, de identificatienummers van de fabrikant en de serienummers van de motor in de daartoe voorziene ruimte zodat u ze bij de hand hebt.

Modelnummer product:	
Serienummer product:	
Nummer model-type motor:	
Code/serienummer van de motor:	
Aankoopdatum:	
Aankooplocatie:	

Wanneer u contact opneemt met de erkende dealer voor reserveonderdelen, herstellingen of informatie, MOET u over deze nummers beschikken.

De geïllustreerde onderdelenlijst voor deze machine kunt u downloaden op [snapper.com](http://snapper.com). Geef het model en serienummer aan als u vervangende onderdelen bestelt.

Raadpleeg de volgende afbeelding voor de locatie van het identificatielabel (A).



## Onzekerheid trillingsmeter

**Onzekerheid trillingsmeter** – de trilling van de machine is gemeten met de methodes en procedures die worden beschreven in de Internationale Standaarden die ten tijde van de fabricage van kracht waren. De betrouwbaarheid van deze meting mag tot 5% afwijken van de gepubliceerde waarde die wordt genoemd in de Verklaring van overeenstemming.

## Productgarantie

### Garantieverklaring

#### BEPERKTE GARANTIE

Briggs & Stratton garandeert dat tijdens de hieronder gespecificeerde garantieperiode elk onderdeel van een product dat materiaal- en/of productiefouten vertoont, gratis hersteld of vervangen zal worden. Transport kosten voor producten die worden teruggestuurd ter reparatie of vervanging onder deze garantie komen voor rekening van de koper. Deze garantie is geldig voor- en onderhavig aan de onderstaande periodes en voorwaarden. Voor de garantieservice neemt u contact op met de erkende servicedealer op onze dealerlokatiekaart op [snapper.com](http://snapper.com).

De koper moet contact opnemen met de Erkende Service Dealer en het product dan beschikbaar maken voor de Erkende Service Dealer voor inspectie en tests.

**Er wordt geen andere expliciete garantie afgegeven. Impliciete garanties, inclusief voor verkoopbaarheid en geschiktheid voor een bepaald doel, zijn beperkt tot de hieronder gespecificeerde garantieperiode of in de wettelijke toegestane mate. Aansprakelijkheid voor incidentele of gevolgschade wordt uitgesloten voor zover dit wettelijk toegestaan is.** Sommige staten of landen staan geen beperkingen toe over de periode waarin een impliciete garantie geldig is, en sommige staten of landen staan geen uitsluiting of beperking van incidentele of gevolgschade toe.

Hierdoor is het mogelijk dat de bovenstaande beperking en uitsluitingen niet op u van toepassing zijn. Deze garantie verleent u specifieke wettelijke rechten en het is mogelijk dat u ook andere rechten hebt die per staat of per land verschillen.\*\*

## Garantietermijn

Artikel	Particulier gebruik	Commercieel gebruik
Apparatuur	36 maanden	3 maanden
Motor*	36 maanden	12 maanden
Accu (indien aanwezig)	12 maanden	12 maanden

\* Geldt alleen voor Briggs & Stratton®-motoren. De garantie voor niet-Briggs & Stratton-motoren wordt gegeven door de betreffende motorfabrikant. Emissiegerelateerde onderdelen worden gedekt door de Emissiegarantieverklaring.

\*\* In Australië - onze artikelen worden geleverd met garanties die onder de Australische consumentenwetgeving niet kunnen worden uitgesloten. U hebt recht op een vervanging of een vergoeding in geval van een groot defect en op compensatie voor andere redelijkerwijs te voorziene vormen van verlies en schade. U hebt ook recht op het repareren of vervangen van de artikelen als deze niet van acceptabele kwaliteit zijn en als het defect geen groot defect is. Zoek voor garantieservice de dichtstbijzijnde Erkende Service Dealer op met onze dealerkaart op BRIGGSandSTRATTON.com, of bel (00 61) 1300 274 447, of mail of schrijf naar salesenquires@briggsandstratton.com.au, Briggs & Stratton Australia Pty Ltd, 1 Moorebank Avenue, NSW, Australië, 2170.

De garantietermijn begint op de dag van aankoop door de eerste particuliere of zakelijke klant. 'Particulier gebruik' betekent persoonlijk residentieel gezinsgebruik door een detailhandelsconsument. 'Commercieel gebruik' betekent ieder ander gebruik, inclusief het gebruik voor commerciële huurdoeleinden of voor het genereren van inkomen. Zodra het product voor commerciële doelen is gebruikt, zal het hierna worden beschouwd als commercieel product voor doeleinden van deze garantie.

Voor directe en volledige garantiedekking wordt u verzocht uw product te registreren op [www.onlineproductregistration.com](http://www.onlineproductregistration.com).

Bewaar uw kwitantie als aankoopbewijs. Indien u geen bewijs kunt leveren van de oorspronkelijke aankoopdatum op het ogenblik waarop om garantieservice wordt verzocht, zal de productiedatum van het product worden gebruikt om de garantietermijn te bepalen. Productregistratie is niet noodzakelijk voor het verkrijgen van garantie op producten van Briggs & Stratton.

## Over uw garantie

Garantieservice is enkel beschikbaar via erkende servicedealers van Snapper®. Deze garantie geldt alleen voor materiaal- en/of fabricagefouten. Het geldt niet voor schade die is veroorzaakt door verkeerd gebruik of misbruik,

verkeerd onderhoud of onjuiste reparatie, normale slijtage of het gebruik van verschaalde of niet-goedgekeurde brandstof.

**Verkeerd gebruik en misbruik** - Het juiste, bedoelde gebruik van dit product wordt beschreven in de gebruikershandleiding. Als u het product gebruikt op een manier die niet is beschreven in de gebruikershandleiding of als u het product gebruikt nadat het is beschadigd, vervalt uw garantie. Garantiedekking is tevens niet van toepassing als het serienummer op het product is verwijderd of als het product op een of andere manier is gewijzigd of aangepast, of als het product blijkt te zijn misbruikt zoals slagschade of corrosieschade door water of chemicaliën.

**Verkeerd onderhoud of reparatie** - Dit product moet worden onderhouden volgens de procedures en schema's in de gebruikershandleiding en voor service- en reparatiewerkzaamheden moeten originele Briggs & Stratton-onderdelen of een equivalent daarvan worden gebruikt. Schade die is veroorzaakt door gebrekkig onderhoud of het gebruik van niet-originele onderdelen valt niet onder de garantie.

**Normale slijtage** - Net als de meeste mechanische apparaten is ook uw apparaat onderhevig aan slijtage, zelfs als het goed wordt onderhouden. Deze garantie dekt de reparatie niet wanneer de levensduur van een onderdeel of het apparaat door normaal gebruik is verstreken. Onderdelen die moeten worden onderhouden en aan slijtage onderhevig zijn zoals filters, riemen, snijbladen en remblokken (met uitzondering van motorremblokken) vallen niet onder de garantie als het uitsluitend om slijtagekenmerken gaat, maar wel als er sprake is van materiaal- en/of fabricagefouten.

**Verschaalde of niet goedgekeurde brandstof** - Om goed te kunnen werken, heeft dit product brandstof nodig die voldoet aan de specificaties in de gebruikershandleiding. Motor- of apparatuurschade door verschaalde brandstof of het gebruik van niet-goedgekeurde brandstof (zoals E15 of E85 ethanolmengsels) valt niet onder de garantie.

**Andere uitsluitingen** - Deze garantie geldt niet voor schade als gevolg van ongevallen, misbruik, modificaties, wijzigingen, onjuist onderhoud, bevriezing of chemische beschadiging. De garantie geldt ook niet voor hulpstukken en accessoires die niet in de verpakking van het originele product aanwezig waren. Er is geen garantiedekking op machines die worden gebruikt voor primair vermogen in plaatst van utilitair vermogen en niet op machines die worden gebruikt voor levensondersteunende toepassingen. Deze garantie geldt niet voor gebruikte, gerenoveerde, tweedehandse of voor demonstratiedoeleinden gebruikte apparatuur of motoren. Deze garantie sluit defecten uit die te wijten zijn aan overmacht en andere niet te voorziene gebeurtenissen buiten de controle van de fabrikant (force majeure).

80015795 Revision A

# Takk

Takk for at du kjøpte dette Snapper® kvalitetsproduktet. Vi er glade for at du har tiltro til Snapper®-merket. Når drives og vedlikeholdes i henhold til håndbøkene, vil dette produktet gi mange år med pålitelig service.

Bruksanvisningen inneholder sikkerhetsinformasjon som gjør deg oppmerksom på farer og risikoområder forbundet med enheten og hvordan du kan unngå dem. Dette produktet er laget for å brukes som beskrevet i bruksanvisningen og er ikke beregnet for noe annet formål. Det er viktig at du leser og grundig forstår instruksjonene i manualen før du forsøker å starte, bruke eller vedlikeholde produktet. **Ta vare på disse originale instruksene for fremtidig bruk.**

Dette produktet krever sluttmontering, slik det er beskrevet i Installeringsveiledningen. Sørg for å følge veiledningen fullstendig før bruk. Hvis du trenger hjelp i forhold til montering, bruk eller vedlikehold av enheten, vennligst kontakt din lokale autoriserte forhandler eller besøk [snapper.com](http://snapper.com) eller ring 1-800-317-7833 (gjelder innen USA).

## Identifikasjonsetikett

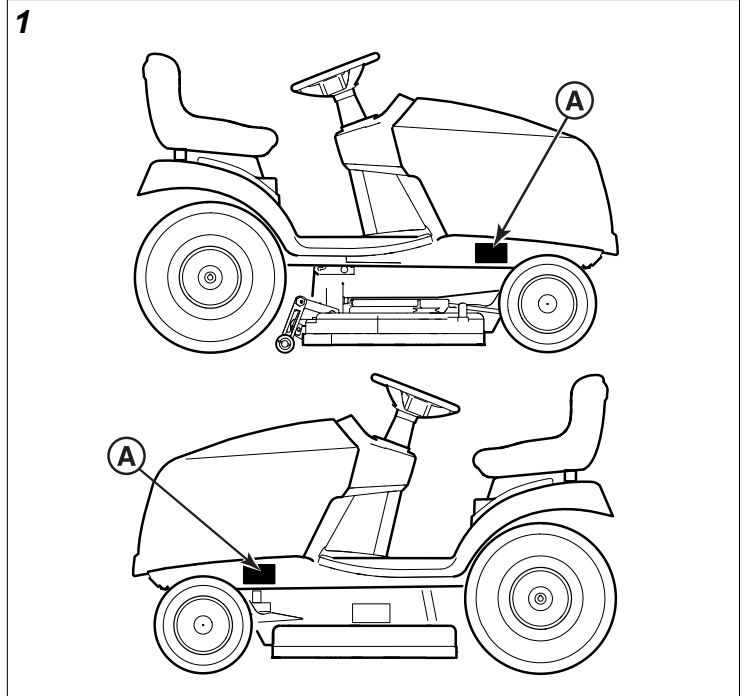
Skriv inn modellens navn/nummer, produsentens identifikasjonsnumre og motorens serienummer i angitt felt for å finne dem lett.

Produktets modellnummer:	
Produktets serienummer:	
Motormodell - typenummer:	
Motorkode/serienummer:	
Kjøpsdato:	
Salgssted:	

Hvis du kontakter en autorisert forhandler ang. reservedeler, service eller informasjon, MÅ du ha disse numrene klare.

Du kan laste ned en illustrert deleliste for denne maskinen på [snapper.com](http://snapper.com). Vennligst oppgi modell og serienummer ved bestilling av reservedeler.

Les følgende instruks for å finne plasseringen for identifikasjonsetiketten (A).



## Vibrasjonsmålingsusikkerhet

**Vibrasjonsmålingsusikkerhet** - maskinvibrasjon ble registrert med metoder og prosedyrer satt frem i de passende Internasjonale Standarder som var gjeldende ved produksjon. Usikkerheten på grunn av måling kan føre til et avvik på inntil 5 % i forhold til den publiserte verdien som vises i samsvarserklæringen.

## Produktgaranti

### Garantierklæring BEGRENSET GARANTI

Briggs & Stratton garanterer at i løpet av garantiperioden som angitt nedenfor, vil foretaket sørge for gratis å reparere eller skifte ut alle deler som er defekte pga. svikt i materiale, evt. utførelse eller begge deler. Transportkostnader for et produkt som sendes inn for reparasjon eller utskifting som faller inn under denne garantien, må dekkes av kjøperen. Denne garantien er kun gyldig for og er underlagt den tidsperioden og de vilkårene som er nevnt nedenfor. For garantimesig service, finner du ditt nærmeste autoriserte forhandlerverksted på forhandlerkartet vårt på [snapper.com](http://snapper.com).

Kjøperen må kontakte autorisert serviceforhandler og deretter gjøre produktet tilgjengelig for den autoriserte forhandleren for inspeksjon og testing.

**Det finnes ingen andre eksplisitte garantier. Underforståtte garantier, herunder om salgbarhet og egnethet for et bestemt formål er begrenset til garantitiden oppgitt nedenfor, eller til det som loven tillater. Ansvar for tilfeldige skader eller følgeskader er utelukket i den grad utelukkelse er tillatt ved lov.** Noen stater eller land tillater ikke begrensninger på hvor lang tid en underforstått garanti gjelder og noen stater eller land tillater ikke utelukkelse eller begrensning av tilfeldige skader eller

følgeskader, slik at det er ikke sikkert at begrensningen og utelukkelsen over gjelder for deg. Denne garantien gir deg spesifikke juridiske rettigheter, og du kan også ha andre rettigheter som kan variere fra stat til stat eller fra land til land.\*\*

## Garantiperiode

Artikkel	Til bruk for forbrukere	Profesjonelt bruk
Utstyr	36 måneder	3 måneder
Motor*	36 måneder	12 måneder
Batteri (hvis utstyrt med slikt)	12 måneder	12 måneder

\* Gjelder kun motorer fra Briggs & Stratton®. Garantidekning av motorer som ikke kommer fra Briggs & Stratton er noe den enkelte motorprodusenten sørger for. Utslippsrelaterte komponenter er omfattet av garantierklæringen for utslipp.

\*\* I Australia: Våre varer selges her med garantier som ikke kan utelukkes i henhold til den australske forbrukerkjøpsloven. Du har krav på erstatning eller refusjon for større svikt og kompensasjon for alt annet rimelig forutsigbart tap eller skade. Du har også rett til å få varene reparert eller skiftet ut dersom varene viser seg å ikke være av akseptabel kvalitet og svikten ikke utgjør en stor svikt. For garantimessig service, finner du det nærmeste autoriserte forhandlerverkstedet på forhandlerkartet vårt på BRIGGSandSTRATTON.com, eller ved å ringe 1300 274 447, eller ved å sende e-post eller skrive til salesenquiries@briggsandstratton.com.au, Briggs & Stratton Australia Pty Ltd, 1 Moorebank Avenue, Moorebank, NSW, Australia, 2170.

Garantiperioden begynner å løpe på kjøpsdatoen da den første detaljhandels- eller kommersielle forbrukeren anskaffet seg produktet. Med «privat bruk» menes personlig bruk av en forbruker i tilknytning til en husholdning som har skaffet seg varen fra en detaljhandler. «Forretningsmessig bruk» betyr all annen bruk, inkludert bruk for kommersielt, forretningsmessig eller utleieformål. Så snart et produkt har gått gjennom kommersiell bruk, vil det deretter med henblikk på denne garantien bli betraktet som et kommersielt produkt.

For å sikre rask og komplett garantidekning, kan du registrere produktet ditt på nettet på [www.onlineproductregistration.com](http://www.onlineproductregistration.com)

Ta vare på kvitteringen som bevis på kjøp. Hvis du ikke skaffer til veie bevis på den opprinnelige kjøpsdatoen på det tidspunktet du gjør garantien gjeldende, vil produksjonsdatoen på produktet brukes til å fastsette garantiperioden. Produktregistrering er ikke nødvendig for å gjøre garantien gjeldende for Briggs & Stratton-produkter.

## Om din garanti

Garantiservice er tilgjengelig kun gjennom Snapper® autoriserte forhandlerverksteder. Denne garantien dekker kun defekter knyttet til materialer eller utførelse. Den dekker ikke skader forårsaket av feil bruk eller misbruk, feil

vedlikehold eller reparasjoner, normal slitasje eller gammelt eller ikke-godkjent drivstoff.

**Feil bruk og misbruk** - Riktig, tiltenkt bruk av dette produktet er beskrevet i bruksanvisningen. Hvis produktet brukes på en måte som ikke er beskrevet i bruksanvisningen eller etter at det har blitt skadet, vil ikke dette kunne dekkes av denne garantien. Garantidekkingen vil heller ikke gjelde hvis serienummeret på produktet er blitt fjernet eller hvis produktet er endret eller modifisert på noen måte, eller dersom det på produktet er bevis på misbruk, slik som støtskader eller vannskader/ kjemiske korrosjonsskader.

**Feil vedlikehold eller reparasjon** - Dette produktet må vedlikeholdes i henhold til de prosedyrer og planer som er angitt i bruksanvisningen, og vedlikeholdes eller repareres med originaldeler fra Briggs & Stratton eller tilsvarende. Skader forårsaket av manglende vedlikehold eller bruk av ikke-originale deler er ikke dekket av garantien.

**Normal slitasje** - Som de fleste mekaniske enheter blir enheten utsatt for slitasje, selv når den blir riktig vedlikeholdt. Denne garantien dekker ikke reparasjoner når en del eller utstyret er slitt ut pga. normal bruk. Vedlikeholds- og slitasjeelementer som f.eks. filtre, reimer, knivblad og bremseklosser (unntatt motor-bremseklosser) er ikke dekket av garantien bare på grunn av slitasje, med mindre årsaken er feil på materiale eller i utførelse.

**Gammelt eller ikke-godkjent drivstoff** - Produktet trenger friskt drivstoff i henhold til kriteriene angitt i bruksanvisningen for å fungere riktig. Skade på motor eller utstyr forårsaket av gammelt drivstoff eller bruk av ikke-godkjent drivstoff (for eksempel E15- eller E85-etanolblandinger) dekkes ikke av garantien.

**Andre utlukkelse** - Denne garantien utelukker skade på grunn av uhell, misbruk, modifikasjoner, endringer, feil service, frost eller kjemisk nedbryting. Fester eller tilbehør som ikke opprinnelig ble pakket sammen med produktet er også unntatt. Det er ingen garantidekning for utstyr som brukes til primær kraft som erstatning for strømforsyning eller på utstyr som brukes til livsopprettende utstyr. Denne garantien omfatter ikke brukt utstyr, overhaldt utstyr, andrehåndsutstyr, eller demonstrasjonsutstyr eller -motorer. Denne garantien utelukker også feil på grunn av naturkatastrofer og andre force majeure-hendelser utenfor produsentens kontroll.

80015795 Revision A

# Obrigado

Obrigado por adquirir este produto Snapper® de qualidade. Temos muito gosto em que tenha confiança na marca Snapper®. Quando operado e mantido de acordo com os manuais, o seu produto irá fornecer-lhe muitos anos de serviço com o qual pode contar.

O Manual do operador contém informações de segurança para o informar dos perigos e riscos associados à unidade e de como evitá-los. Este produto foi concebido para ser usado conforme descrito no manual do operador e não se destina a qualquer outro efeito. É importante que leia e compreenda bem as instruções no manual, antes de tentar ligar, operar ou fazer a manutenção do produto. **Guarde estas instruções originais para referência futura.**

Este produto precisa de uma montagem final, que se encontra descrita nas instruções de configuração. Assegure-se de que segue as instruções completamente antes de usar. Se necessitar de assistência com a montagem, operação ou manutenção deste produto, contacte o seu Revendedor de serviços autorizado, visite [snapper.com](http://snapper.com) ou ligue para o 1-800-317-7833 (apenas nos EUA).

## Etiqueta de Identificação

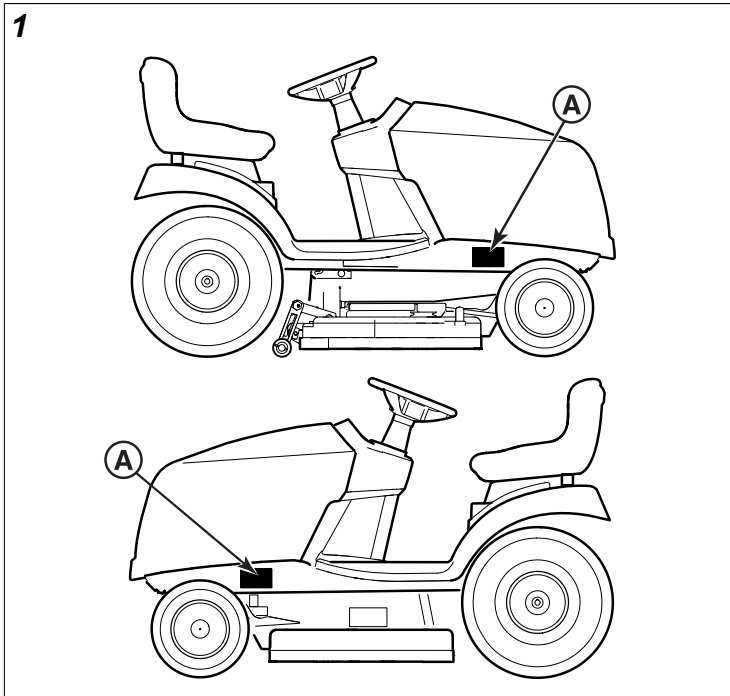
Registe o nome/número do modelo, os números de identificação do fabricante e os números de série do motor no espaço fornecido para um acesso fácil.

Número de Modelo do Produto:	
Número de Série do Produto:	
Número do Tipo de Modelo do Motor:	
Código/Número de Série do Motor:	
Data de Compra:	
Local de Compra:	

Quando contactar o Revendedor autorizado sobre peças de substituição, manutenção ou informação, **PRECISA** de ter estes números.

A Lista de Peças Ilustrada para esta máquina pode ser transferida a partir de [snapper.com](http://snapper.com). Forneça o modelo e número de série quando encomendar peças de substituição.

Para a localização da etiqueta de identificação (A), consulte a ilustração a seguir.



## Incerteza de Medição de Vibração

**Incerteza de medição de vibração** - a vibração da máquina foi registada usando métodos e procedimentos descritos nas Normas Internacionais adequadas em vigor no momento do fabrico. As incertezas devidas à medição podem resultar numa variação de até 5% em relação ao valor publicado apresentado na Declaração de Conformidade.

## Garantia do Produto

### Declaração de Garantia

#### GARANTIA LIMITADA

A Briggs & Stratton garante que, durante o período de garantia especificado em baixo, irá reparar ou substituir, gratuitamente, qualquer peça defeituosa em materiais relacionados com o produto ou mão-de-obra ou ambos. Os encargos com o transporte do produto submetido para reparação ou substituição, ao abrigo desta garantia, devem ser suportados pelo comprador. Esta garantia é efetiva e está sujeita aos períodos de tempo e às condições abaixo referidas. Para aceder ao serviço de garantia, contacte o Concessionário Autorizado mais próximo indicado no nosso mapa de localização de concessionários em [snapper.com](http://snapper.com).

O comprador deve contactar o Representante de Serviço Autorizado, e disponibilizar então o produto para o Representante de Serviço Autorizado fazer a inspeção e testes.

**Não existe qualquer outra garantia expressa. Garantias implícitas, incluindo as referentes à comercialização e adequação a um objetivo em particular, estão limitadas ao período de garantia listado em baixo, ou ao que é permitido por lei. Exclui-se a responsabilidade por danos incidentais ou consequenciais de acordo com o**

**permitido por lei.** Alguns estados ou países não permitem limitações quanto à duração de uma garantia implícita e alguns estados e países não permitem a exclusão ou limitação de danos incidentais ou consequenciais, por isso a limitação e exclusão acima podem não se aplicar ao seu caso. Esta garantia concede-lhe direitos legais específicos e pode também ter outros direitos que variam de estado para estado ou de país para país.\*\*

## Período de Garantia

Item	Utilização privada	Utilização comercial
Equipamento	36 meses	3 meses
Motor*	36 meses	12 meses
Bateria (se equipado)	12 meses	12 meses

\* Só se aplica a motores Briggs & Stratton®. A cobertura da garantia de motores que não sejam Briggs & Stratton é fornecida por esse fabricante do motor. Os componentes relacionados com as emissões estão cobertos pela Declaração de Garantia de Emissões.

\*\* Na Austrália - Os nossos produtos possuem garantias que não podem ser excluídas ao abrigo da lei australiana relativa aos direitos do consumidor. Tem direito a uma substituição ou reembolso por uma falha grave e a uma compensação por qualquer outra perda ou dano razoavelmente previsível. Também tem direito a ter os bens reparados ou substituídos se os bens não forem de qualidade aceitável e a falha não equivaler a uma falha grave. Para assistência de garantia, procure o Concessionário de Assistência Autorizado mais próximo no nosso mapa localizador em BRIGGSandSTRATTON.COM, ligando para 1300 274 447, ou enviando por correio ou por e-mail para salesenquires@briggsandstratton.com.au, Briggs & Stratton Australia Pty Ltd, 1 Moorebank Avenue, NSW, Austrália, 2170.

O período de garantia começa na data da aquisição do primeiro consumidor final ou comercial. “Utilização privada” significa a utilização doméstica e pessoal por um consumidor final. “Utilização comercial” refere-se a todas as outras utilizações, incluindo as utilizações com objetivos comerciais de produzir rendimento ou de alugar. Logo que um produto tenha uma utilização comercial, deve a partir desse momento ser considerado como sendo um produto de utilização comercial ao abrigo desta garantia.

Para garantir a cobertura de garantia imediata e completa, registe o produto online em [www.onlineproductregistration.com](http://www.onlineproductregistration.com).

Guarde o recibo da compra como comprovativo. Se não fornecer o comprovativo da data de aquisição inicial no momento for pedida a assistência de garantia, será utilizada a data de fabrico do produto para determinar o período de garantia. O registo do produto não é necessário para obter o serviço de garantia em produtos Briggs & Stratton.

## Sobre a sua garantia

O serviço de garantia está disponível apenas através dos

Concessionários de Assistência Autorizados Snapper®

Esta garantia cobre apenas os defeitos nos materiais ou relacionados com a mão-de-obra. Não estão abrangidos os danos resultantes da utilização incorreta ou abusiva, de manutenção ou reparações incorretas, do desgaste normal ou da utilização de combustível não aprovado ou fora do prazo.

**Uso Indevido ou Abuso** - O uso adequado e pretendido deste produto está descrito no Manual do Operador. Ao utilizar o produto de forma não descrita no Manual do Operador ou ao utilizar o produto depois de este ter sido danificado não estará coberto por esta garantia. A cobertura de garantia também não será fornecida se o número de série do produto tiver sido removido ou se o produto tiver sido alterado ou modificado de qualquer forma, ou se o produto tiver evidências de abuso tal como danos de choque, ou danos de corrosão por água/químicos.

**Manutenção ou Reparação Indevida** - Este produto deve ser mantido de acordo com os procedimentos e programas fornecidos no Manual do Operador, e mantido ou reparado usando peças Briggs & Stratton genuínas ou equivalentes. Danos causados por falta de manutenção ou pela utilização de peças não originais não estão cobertos pela garantia.

**Uso e Desgaste Normal** - Como a maior parte dos dispositivos mecânicos, a sua unidade está sujeita a desgaste mesmo se for mantida corretamente. Esta garantia não cobre reparações quando a utilização normal tiver esgotado o tempo de vida de uma peça ou do equipamento. Itens de manutenção e de utilização tais como filtros, correias, lâminas de corte, e pastilhas de travão (exceto pastilhas de travão do motor) não estão cobertos pela garantia, devido apenas a características de desgaste, a menos que a causa seja devida a defeitos no material ou relacionadas com a mão-de-obra.

**Combustível fora do prazo ou não aprovado** - Para o correto funcionamento do produto, deve utilizar combustível novo em conformidade com os critérios especificados no Manual do Operador. Danos no motor ou no equipamento causados por combustível fora do prazo ou pelo uso de combustíveis não aprovados (tal como misturas de etanol E15 ou E85) não estão cobertos pela garantia.

**Outras Exclusões** - Esta garantia exclui danos devido a acidente, abuso, modificações, alterações, assistência imprópria, deterioração provocada por químicos ou congelamento. Acessórios que não tenham sido embalados originalmente com o produto também estão excluídos. Não há cobertura de garantia para o equipamento usado para energia primária em vez de rede elétrica ou em equipamento usado em aplicações de suporte de vida. Esta garantia não inclui equipamento ou motores usados, recuperados, em segunda-mão ou de demonstração. Esta garantia também exclui falhas por motivos de causa maior e outros eventos de força maior que ultrapassem o controlo do fabricante.

80015795 Revision A



# Tack

Tack Snapper® för ditt köp av denna högkvalitetsprodukt. Det gläder oss att du visar förtroende för varumärket Snapper®. Om den används och underhålls i enlighet med manualer, kommer denna produkt att ge många år av pålitlig service.

Bruksanvisningen innehåller säkerhetsinformation för att du ska vara medveten om vilka faror och risker som är förknippade med maskinen och hur du undviker dem. Produkten har utformats för användning enligt bruksanvisningen, och är inte avsedd för något annat ändamål. Det är viktigt att du läser och förstår anvisningarna i bruksanvisningen noga innan du försöker starta, använda eller serva maskinen. **Spara dessa anvisningar för framtida behov.**

Denna produkt skall slutmonteras enligt monteringsanvisningarna. Var noga med att följa anvisningarna helt före användning. Om du behöver hjälp med montering, körning eller underhåll av maskinen, kontakta din lokala auktoriserade serviceverkstad eller besök [snapper.com](http://snapper.com) eller ring 1-800-317-7833 (endast i USA).

## Identitetsskylt

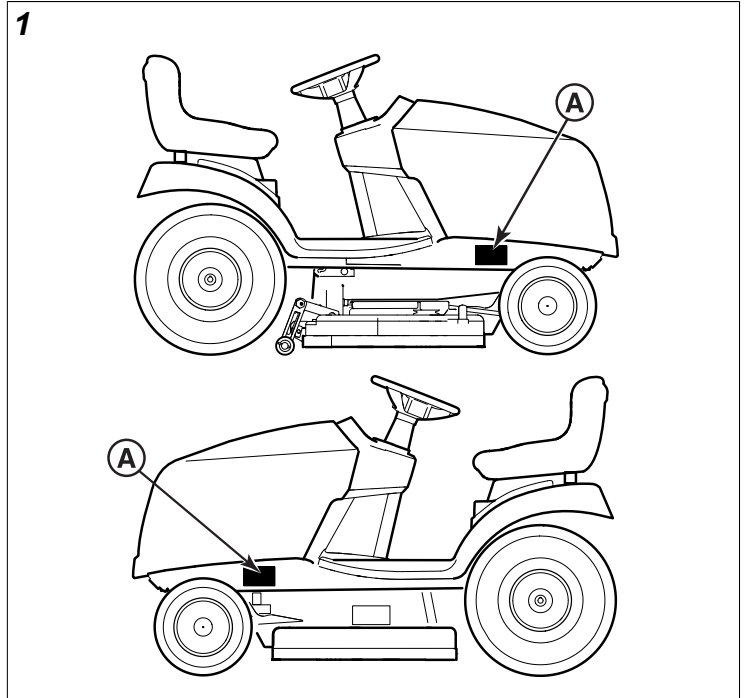
Anteckna modellens beteckning/nummer, tillverkarens identifieringsnummer och motorns serienummer i de avsedda rutorna, för att ha dem enkelt till hands.

Produktmodellnummer:	
Produktserienummer:	
Motormodell typnummer:	
Motorkod/serienummer:	
Inköpsdatum:	
Inköpsort:	

När du kontaktar den auktoriserade återförsäljaren för reservdelar, service eller information **MÅSTE** du ha dessa uppgifter tillgängliga.

Den illustrerade reservdelslistan för maskinen kan laddas ner från [snapper.com](http://snapper.com). Uppge modellnummer och serienummer vid beställning av reservdelar.

Angående placering av identifieringsetiketten (A), se följande illustration.



## Osäkerhet i vibrationsmätning

**Osäkerhet i vibrationsmätning** - maskinens vibration har uppmätts med metoder och procedurer som finns angivna i vederbörliga internationella standarder som gällde vid tillverkningstillfället. Osäkerheterna som beror på mätningen kan orsaka en variation som avviker upp till 5 % från det värde som anges i försäkringen om överensstämmelse.

## Produktgaranti

### Garanti

#### BEGRÄNSAD GARANTI

Briggs & Stratton garanterar kostnadsfri reparation eller utbyte av delar som är defekta med avseende på material och/eller utförande under den garantiperiod som specificeras nedan. Fraktkostnader för delar som sänds in för reparation eller utbyte i enlighet med denna garanti bekostas av köparen. Denna garanti gäller under de tidsperioder och villkor som anges nedan. För garantiservice, se närmaste auktoriserade serviceverkstad som du finner på vår karta över återförsäljare på [snapper.com](http://snapper.com).

Köparen måste kontakta den auktoriserade serviceverkstaden och sedan göra produkten tillgänglig för den auktoriserade serviceverkstaden för inspektion och test.

**Det finns ingen annan uttrycklig garanti. Underförstådda garantier, inklusive för säljbarhet och lämplighet för ett visst ändamål, begränsas till nedan angiven garantiperiod eller till den omfattning som lagen tillåter. Ansvarsgaranti vid skador av påföljdstyp och tillfälliga skador exkluderas i den grad det är tillåtet enligt lag.** Vissa delstater eller länder tillåter inte begränsning av giltighetstiden för underförstådda garantier och vissa tillåter inte undantag eller begränsning av skador orsakade av olycka eller följdskador, vilket innebär att ovanstående begränsning och undantag kanske inte gäller för dig. Denna



garanti ger specifika juridiska rättigheter och du kan även ha andra rättigheter som kan variera mellan olika delstater eller länder.\*\*

## Garantitid

Artikel	Privatbruk	Kommersiell användning
Utrustning	36 månader	3 månader
Motor*	36 månader	12 månader
Batteri (om sådant medleveras)	12 månader	12 månader

\* Gäller endast motorer från Briggs & Stratton®.

Garantitäckning för motorer från annan tillverkare än Briggs & Stratton tillhandahålls av den motortillverkaren. Utsläppsrelaterade komponenter omfattas av meddelandet om utsläppsgaranti.

\*\* I Australien omfattas våra produkter av garantier som inte kan fränskrivas enligt australiensisk konsumentlag. Du har rätt till en ersättningsprodukt eller återbetalning vid ett betydande fel och till ersättning för all annan rimligen förutsebar förlust eller skada. Du har också rätt att få produkterna reparerade eller utbyta om produkterna inte motsvarar acceptabel kvalitet och felet inte betraktas som ett betydande fel. För garantiservice hittar du närmaste auktoriserade serviceverkstad på vår återförsäljarkarta på BRIGGSandSTRATTON.com, genom att ringa +1 300 274 447 eller skicka e-post eller brev till salesenquires@briggsandstratton.com.au, Briggs & Stratton Australia Pty Ltd, 1 Moorebank Avenue, NSW, Australien, 2170.

Garantiperioden börjar den dag då produkten första gången köps av en återförsäljaren eller kommersiell köpare. Med "Privat bruk" avses personligt bruk i hemmet av privatperson. Med "Kommersiellt bruk" avses allt annat bruk, inklusive affärsrelaterat bruk, användning i näringsverksamhet eller uthyrning. När produkten en gång har tagits i kommersiellt bruk betraktas den fortsättningsvis som för kommersiellt bruk vad gäller denna garanti.

Registrera din produkt på webbplatsen [www.onlineproductregistration.com](http://www.onlineproductregistration.com) för att få snabb och fullständig garantihantering.

Spara ditt inköpskvitto. Om du inte kan lämna bevis på inköpsdatum vid tidpunkten då garantiservice begärs, används produktens tillverkningsdatum för att fastställa garantitiden. Produktregistrering är inte nödvändigt för att ha rätt till garantiservice för Briggs & Strattons produkter.

## Angående din garanti

Garantiservice tillhandahålls endast genom

auktoriserade Snapper®-verkstäder. Denna garanti täcker endast material- och/eller tillverkningsfel. Den täcker inte skador orsakade av felaktig användning eller missbruk, undermåligt underhåll eller reparation, normalt slitage eller ej godkänt bränsle.

**Felaktig användning och missbruk** - Korrekt, avsedd användning av denna produkt beskrivs i bruksanvisningen.

Garantin gäller inte vid användning av produkten på annat sätt än enligt bruksanvisningen eller efter att produkten har skadats. Garantin gäller heller inte om serienumret på produkten tagits bort, om produkten ändrats eller modifierats på något sätt, eller om produkten uppvisar tecken på missbruk såsom skada på grund av att produkten träffats av ett föremål eller rostskador på grund av vatten/kemikalier.

**Felaktigt underhåll eller reparation** - Produkten måste underhållas enligt de procedurer och scheman som anges i bruksanvisningen och servas eller repareras med Briggs & Strattons originaldelar eller motsvarande. Skador som orsakats av undermåligt underhåll eller användning av annat än originaldelar täcks inte av garantin.

**Normalt slitage** - Liksom de flesta mekaniska anordningar slits din maskin även när den underhålls på rätt sätt. Garantin omfattar inte reparation på grund av förslitning av delar på grund av normal användning. Garantin gäller inte för underhålls- och slitdelar som filter, remmar, skär och bromsbelägg (bortsett från motorns bromsbelägg) endast på grund av slitageegenskaperna, såvida inte felorsaken är material- eller tillverkningsfel.

**Gammalt eller ej godkänt bränsle** - För att fungera korrekt, kräver den här produkten färskt bränsle som uppfyller de krav som anges i bruksanvisningen. Motor eller utrustningsskada som orsakas av gammalt eller ej godkänt bränsle (exempelvis etanolblandningarna E15 eller E85) täcks inte av garantin.

**Andra undantag** - Denna garanti gäller inte i händelse av olycka, missbruk, modifieringar, ändringar, felaktig service, frysning eller kemisk nedbrytning. Garantin gäller inte heller för fästelement och tillbehör som inte ingick i produktens originalförpackning. Det finns ingen garantitäckning för utrustning som används som huvudsaklig strömkälla istället för ström från elnät eller för utrustning som används för livräddning. Denna garanti täcker inte använda, rekonditionerade, begagnade, eller demonstrationsutrustningar eller -motorer. Garantin gäller inte för skador eller fel på grund av force majeure eller andra händelser utom tillverkarens kontroll.

80015795 Revision A

Not for  
Reproduction

Not for  
Reproduction