



- |           |                                 |           |                                 |
|-----------|---------------------------------|-----------|---------------------------------|
| <b>en</b> | Customer Contact Guide          | <b>fr</b> | Guide de contact pour le client |
| <b>da</b> | Kundekontaktvejledningen        | <b>it</b> | Guida al contatto col cliente   |
| <b>de</b> | Kundenkontaktleitfaden          | <b>nl</b> | Klantcontact gids               |
| <b>el</b> | Οδηγόεπικοινωνίας πελάτη        | <b>no</b> | Kundekontaktguiden              |
| <b>es</b> | Guía de contacto con el cliente | <b>pt</b> | Guia de contacto do cliente     |
| <b>fi</b> | Asiakaskontakti opas            | <b>sv</b> | Kundkontakt guide               |

Not for  
Reproduction

# Thank You

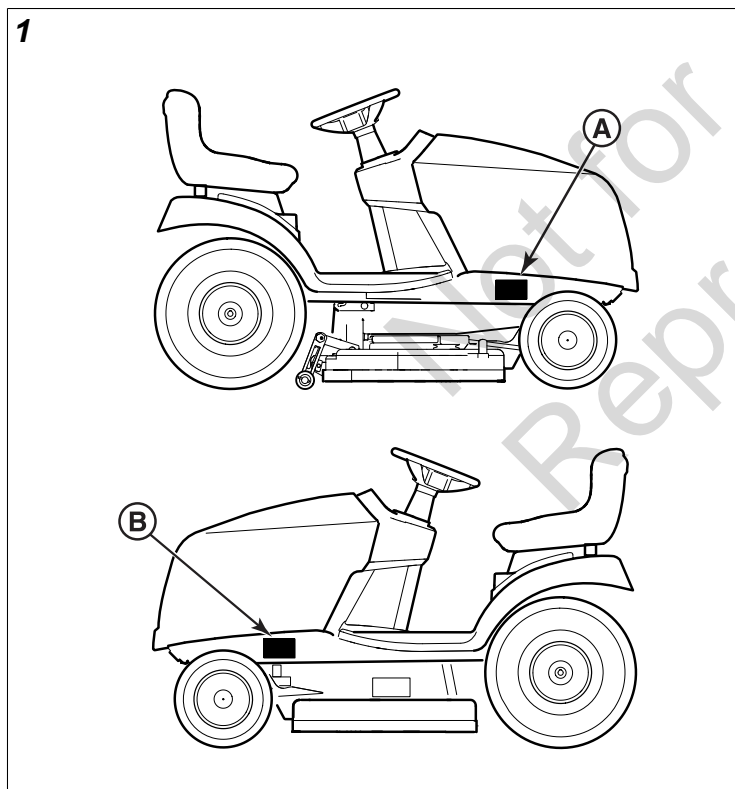
Thank you for purchasing this quality-built Snapper® product. We are pleased that you have confidence in the Snapper® brand. When operated and maintained according to the manuals, this product will provide many years of dependable service.

The Operator's Manual contains safety information to make you aware of the hazards and risks associated with the unit and how to avoid them. This product was designed to be used as described in the Operator's Manual and is not intended for any other purpose. It is important that you read and thoroughly understand the instructions in the manual before attempting to start, operate, or service the product. **Save these original instructions for future reference.**

This product requires final assembly, which is described in the Setup Instructions. Make sure to follow the instructions completely before use. If you need assistance with assembly, operation, or maintenance of the product, contact your local Authorized Service Dealer or visit [snapper.eu](http://snapper.eu).

## Identification Tag

Locate the product identification tag (A) as shown in Figure 1.



Record your model identification numbers and serial numbers in the space provided for easy access.

Product Model Number:	
Product Serial Number:	
Engine Model - Type Number:	
Engine Code / Serial Number:	
Date of Purchase:	
Purchase Location:	

When contacting your Authorized Dealer for replacement parts, service, or information you MUST have these numbers.

The Illustrated Parts List for this machine can be downloaded from [snapper.eu](http://snapper.eu). Please provide model and serial number when ordering replacement parts.

## Vibration Measurement Uncertainty

**Vibration measurement uncertainty** - machine vibration was recorded using methods and procedures outlined in the appropriate International Standards in effect at the time of manufacture. The uncertainties due to the measurement may result in a variance of up to 5% from the published value shown in the Declaration of Conformity.

## Warranty

### Warranty Statement

#### LIMITED WARRANTY

Briggs & Stratton warrants that, during the warranty period specified below, it will repair or replace, free of charge, any part that is defective in material or workmanship or both. Transportation charges on product submitted for repair or replacement under this warranty must be borne by purchaser. This warranty is effective for and is subject to the time periods and conditions stated below. For warranty service, find the nearest Authorized Service Dealer in our dealer locator map at [snapper.eu](http://snapper.eu).

The purchaser must contact the Authorized Service Dealer, and then make the product available to the Authorized Service Dealer for inspection and testing.

**There is no other express warranty. Implied warranties, including those of merchantability and fitness for a particular purpose, are limited to the warranty period listed below, or to the extent permitted by law. Liability for incidental or consequential damages are excluded to the extent exclusion is permitted by law.** Some states or countries do not allow limitations on how long an implied warranty lasts, and some states or countries do not allow the exclusion or limitation of incidental or consequential damages, so the above limitation and exclusion may not apply to you. This warranty gives you specific legal rights and you may also have other rights which vary from state to state or country to country.\*\*

### Warranty Period

Item	Consumer Use	Commercial Use
Equipment	36 Months	3 Months
Engine*	36 Months	12 Months
Battery (if equipped)	12 Months	12 Months

\* Applies to Briggs & Stratton® engines only. Warranty coverage of non-Briggs & Stratton engines is provided by

that engine manufacturer. Emissions-related components are covered by the Emissions Warranty Statement.

\*\* In Australia, the following applies, notwithstanding any other provision: Our goods come with guarantees that cannot be excluded under the Australian Consumer Law. You are entitled to a replacement or refund for a major failure and compensation for any other reasonably foreseeable loss or damage. You are also entitled to have the goods repaired or replaced if the goods fail to be of acceptable quality and the failure does not amount to a major failure.

Unless required under Australian Consumer Law, Snapper® shall not be liable under this Warranty to the Customer or any other person in connection with this Warranty, for consequential, direct or indirect damages, loss or costs incurred or suffered by the Customer or any other person; or any damage to property, loss of turnover, loss of profits, loss of business or loss of goodwill, arising out of the failure of any product to operate properly. For warranty service, find the nearest Authorized Service Dealer in our dealer locator map at BRIGGSandSTRATTON.COM, or by calling 1300 274 447, or by emailing or writing to salesenquiries@briggsandstratton.com.au, Briggs & Stratton Australia Pty Ltd, 3 Imperata Pl, Kemp Creek, NSW, Australia, 2178.

The warranty period begins on the date of purchase by the first retail or commercial consumer. "Consumer use" means personal residential household use by a retail consumer. "Commercial use" means all other uses, including use for commercial, income producing or rental purposes. Once a product has experienced commercial use, it shall thereafter be considered as a commercial use product for purposes of this warranty.

To ensure prompt and complete warranty coverage, register your product on-line at [www.onlineproductregistration.com](http://www.onlineproductregistration.com).

Save your proof of purchase receipt. If you do not provide proof of the initial purchase date at the time warranty service is requested, the manufacturing date of the product will be used to determine the warranty period. Product registration is not required to obtain warranty service on Briggs & Stratton products.

## About Your Warranty

Warranty service is available only through Snapper® Authorized Service Dealers. This warranty covers only defects in materials or workmanship. It does not cover damage caused by improper use or abuse, improper maintenance or repair, or normal wear and tear, or stale or unapproved fuel.

**Improper Use and Abuse** - The proper, intended use of this product is described in the Operator's Manual. Using the product in a way not described in the Operator's Manual or using the product after it has been damaged will not be covered under this warranty. Warranty coverage will also not be provided if the serial number on the product has been removed or the product has been altered or modified in any way, or if the product has evidence of abuse such as impact damage or water/chemical corrosion damage.

**Improper Maintenance or Repair** - This product must be maintained according to the procedures and schedules provided in the Operator's Manual, and serviced or repaired using genuine Briggs & Stratton® parts or equivalent. Damage caused by lack of maintenance or use of nonoriginal parts is not covered by warranty.

**Normal Wear and Tear** - Like most mechanical devices, your unit is subject to wear even when properly maintained. This warranty does not cover repairs when normal use has exhausted the life of a part or the equipment. Maintenance and wear items such as filters, belts, cutting blades, and brake pads (except engine brake pads) are not covered by warranty due to wear characteristics alone, unless the cause is due to defects in material or workmanship.

**Stale or Unapproved Fuel** - In order to function correctly, this product requires fresh fuel that conforms to the criteria specified in the Operator's Manual. Engine or equipment damage caused by stale fuel or the use of unapproved fuels (such as E15 or E85 ethanol blends) is not covered by warranty.

**Other Exclusions** - This warranty excludes damage due to accident, abuse, modifications, alterations, improper servicing, freezing or chemical deterioration. Attachments or accessories that were not originally packaged with the product are also excluded. There is no warranty coverage on equipment used for primary power in place of utility power or on equipment used in life support applications. This warranty does not include used, reconditioned, second-hand, or demonstration equipment or engines. This warranty also excludes failures due to acts of God and other force majeure events beyond the manufacturer's control.

80015795 Revision A

## Briggs & Stratton Emissions Warranty

**U.S. EPA and Briggs & Stratton, LLC Emissions Control Warranty - Your Warranty Rights and Obligations For Briggs & Stratton Engine Models with "B" or "G" Trim Designation (Model-Type-Trim Representation xxxxxx xxxx Bx or xxxxxx xxxx Gx)**

The U.S. EPA and Briggs & Stratton (B&S) are pleased to explain the exhaust emissions ("emissions") control system warranty on your 2023-2025 engine. New small off-road engines and large spark ignited engines less than or equal to 1.0 liter must be designed, built, and equipped to meet stringent anti-smog standards. B&S must warrant the emissions control system on your engine for the periods of time listed below provided there has been no abuse, neglect or improper maintenance of your small off-road engine or equipment leading to the failure of the emissions control system.

Your emissions control system may include parts such as the carburetor or fuel-injection system, the ignition system, catalytic converter, fuel tanks, fuel lines (for liquid fuel and fuel vapors), fuel caps, valves, canisters, filters, clamps and other associated components. Also included may be hoses, belts, connectors, and other emission-related assemblies.

Where a warrantable condition exists, B&S will repair your engine at no cost to you including diagnosis, parts, and labor.

### **Manufacturer's Warranty Coverage:**

The exhaust emissions control system on your engine is warranted for two years. If any emissions-related part on your engine is defective, the part will be repaired or replaced by B&S.

### **Owner's Warranty Responsibilities:**

- As the engine owner, you are responsible for the performance of the required maintenance listed in your owner's manual. B&S recommends that you retain all receipts covering maintenance on your engine, but B&S cannot deny warranty coverage solely for the lack of receipts or for your failure to ensure the performance of all scheduled maintenance.
- As the engine owner, you should however be aware that B&S may deny you warranty coverage if your engine or a part has failed due to abuse, neglect, or improper maintenance or unapproved modifications.
- You are responsible for presenting your engine to a B&S distribution center or service center as soon as the problem exists. The warranty repairs shall be completed in a reasonable amount of time, not to exceed 30 days. If you have a question regarding your warranty rights and responsibilities, you should contact B&S at 1-800-444-7774 (in USA) or BRIGGSandSTRATTON.COM.

### **Briggs & Stratton Emissions Control Warranty Provisions**

The following are specific provisions relative to your Emissions Control Warranty Coverage. It is in addition to the B&S engine warranty for non-regulated engines found in the Operator's Manual.

1. **Warranted Emissions Parts**  
Coverage under this warranty extends only to the parts listed below (the emissions control systems parts) to the extent these parts were present on the B&S engine.
  - a. **Fuel Metering System**
    - Cold start enrichment system (soft choke)
    - Carburetor or fuel injection system
    - Oxygen sensor
    - Electronic control unit
    - Fuel pump module
  - b. **Air Induction System**
    - Air cleaner
    - Intake manifold
  - c. **Ignition System**
    - Spark plug(s)
    - Magneto ignition system
  - d. **Catalyst System**
    - Catalytic converter
    - Exhaust manifold
    - Air injection system or pulse valve
  - e. **Miscellaneous Items Used in Above Systems**
    - Vacuum, temperature, position, time sensitive valves and switches
    - Connectors and assemblies
    - Electronic controls
2. **Length of Coverage**  
Coverage is for a period of two years from the date of delivery to an ultimate purchaser, or for the time period listed in the respective engine or product warranty statement, whichever is greater. B&S warrants to the original purchaser and each subsequent purchaser that the engine is designed, built, and equipped so as to conform with all applicable regulations; that it is free from defects in material and workmanship that could cause the failure of a warranted part; and that it is identical in all material respects to the engine described in the manufacturer's application for certification. The

warranty period begins on the date the engine or equipment is delivered to an ultimate purchaser.

The warranty on emissions-related parts is as follows:

- Any warranted part that is not scheduled for replacement as required maintenance in the Operator's Manual supplied, is warranted for the warranty period stated above. If any such part fails during the period of warranty coverage, the part will be repaired or replaced by B&S at no charge to the owner. Any such part repaired or replaced under the warranty will be warranted for the remaining warranty period.
  - Any warranted part that is scheduled only for regular inspection in the Operator's Manual supplied, is warranted for the warranty period stated above. Any such part repaired or replaced under warranty will be warranted for the remaining warranty period.
  - Any warranted part that is scheduled for replacement as required maintenance in the Operator's Manual supplied, is warranted for the period of time prior to the first scheduled replacement point for that part. If the part fails prior to the first scheduled replacement, the part will be repaired or replaced by B&S at no charge to the owner. Any such part repaired or replaced under warranty will be warranted for the remainder of the period prior to the first scheduled replacement point for the part.
  - Add-on or modified parts that are not exempted may not be used. The use of any non-exempted add-on or modified parts by the owner will be grounds for disallowing a warranty claim. The manufacturer will not be liable to warrant failures of warranted parts caused by the use of a non-exempted add-on or modified part.
3. Consequential Coverage  
Coverage shall extend to the failure of any engine components caused by the failure of any warranted emissions parts.
4. Claims and Coverage Exclusions  
Warranty claims shall be filed according to the provisions of the B&S engine warranty policy. Warranty coverage does not apply to failures of emissions parts that are not original equipment B&S parts or to parts that fail due to abuse, neglect, or improper maintenance as set forth in the B&S engine warranty policy. B&S is not liable for warranty coverage of failures of emissions parts caused by the use of add-on or modified parts.

#### **Look For Relevant Emissions Durability Period and Air Index Information On Your Small Off-Road Engine Emissions Label**

Briggs & Stratton engines are certified to meet the United States Environmental Protection Agency (USEPA) Phase 2 or Phase 3 emissions standards. The Emissions Compliance Period referred to on the Emissions Compliance label

indicates the number of operating hours for which the engine has been shown to meet Federal emissions requirements.

#### **For engines at or less than 80 cc displacement:**

Category C = 50 hours, Category B = 125 hours, Category A = 300 hours

#### **For engines greater than 80 cc displacement and less than 225 cc displacement:**

Category C = 125 hours, Category B = 250 hours, Category A = 500 hours

#### **For engines of 225 cc or more displacement:**

Category C = 250 hours, Category B = 500 hours, Category A = 1000 hours

80130178 Revision A

# Tak

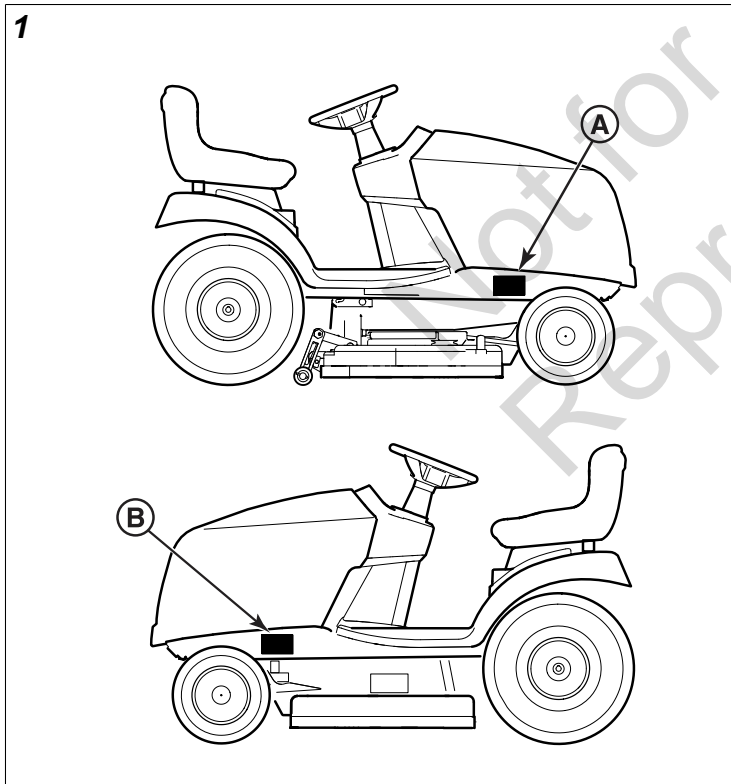
Tak for at købe dette kvalitetsprodukt Snapper®. Vi er glade for, at du har tillid til mærket Snapper®. Når den drives og vedligeholdes i overensstemmelse med de vejledninger, vil dette produkt give mange års pålidelig service.

Betjeningsvejledningen indeholder sikkerhedsoplysninger for at gøre dig opmærksom på de farer og risici, der er forbundet med enheden, og hvordan man undgår dem. Dette produkt er blevet fremstillet til anvendelse som beskrevet i betjeningsvejledningen og er ikke beregnet til andre formål. Det er vigtigt, at du læser og er indforstået med disse instruktioner fuldt ud, inden du forsøger at starte, betjene eller udføre vedligeholdelse på produktet. **Gem disse originale anvisninger til fremtidig brug.**

Produktet kræver endelig samling som er beskrevet i opsætningsvejledningen. Sørg for at følge vejledningen omhyggeligt før brug. Hvis du har brug for hjælp med samling, betjening eller vedligeholdelse af maskinen, bedes du kontakte din lokale, autoriserede serviceforhandler eller besøge [snapper.eu](http://snapper.eu).

## Identifikationsmærkat

Find produktets identifikationsmærke (A) som vist i figur 1.



Notér dine modelidentifikationsnumre og serienumre i de angivne felter, så de er nemt tilgængelige.

Produktmodelnummer:	
Produktserienummer:	
Motormodel – typenummer:	
Motorkode/serienummer:	
Købsdato:	

Sted for købet:	
-----------------	--

Når du henvender dig hos din autoriserede forhandler for at få reservedele, service eller vejledning, SKAL du oplyse disse numre.

Den illustrerede reservedelsliste til denne maskine kan downloades fra [snapper.eu](http://snapper.eu). Oplys venligst model- og serienummer ved bestilling af reservedele.

## Usikkerhed ved vibrationsmåling

**Usikkerhed ved vibrationsmåling** – Maskinvibration blev registreret ved hjælp af metoder og procedurer, der er angivet i de tilhørende internationale standarder, som var gældende på fremstillingstidspunktet. Usikkerhederne, der skyldes målingen, kan resultere i afvigelser på op til 5 % fra de offentliggjorte værdier, der fremgår af overensstemmelseserklæringen.

## Garanti

### Garantierklæring BEGRÆNSET GARANTI

Briggs & Stratton garanterer, at i løbet af garantiperioden, der er angivet nedenfor, vil vi reparere eller udskifte enhver del, der er defekt i materiale eller håndværk eller begge dele, uden beregning. Transportomkostninger i forbindelse med et produkt, som indleveres til reparation eller udskiftning under denne garanti, afholdes af køberen. Denne garanti er gyldig inden for tidsperioderne og underlagt nedenstående betingelser. I forbindelse med garantiservice finder du den nærmeste autoriserede serviceforhandler på vores kort med forhandleroversigt på [snapper.eu](http://snapper.eu).

Køberen skal kontakte den autoriserede serviceforhandler og derefter stille produktet til rådighed for den autoriserede serviceforhandler med henblik på inspektion og afprøvning.

**Der ydes ikke nogen anden udtrykkelig garanti. Underforståede garantier, inklusive garantier for salgbarhed og egnethed til et bestemt formål, er begrænset til garantiperioden, der er angivet nedenfor, eller i den udstrækning loven tillader. Ansvar for hændelige skader eller følgeskader er udelukket, i det omfang lovgivningen tillader udelukkelse.** Visse stater eller lande tillader ikke begrænsninger på, hvor lang tid en underforstået garanti varer, og visse stater eller lande tillader ikke udelukkelse eller begrænsning af tilfældig skade eller følgeskade, så ovenstående begrænsning og udelukkelse er måske ikke gældende for dig. Denne garanti giver dig specifikke lovmæssige rettigheder, og du har muligvis andre rettigheder, som kan variere fra stat til stat og fra land til land.\*\*

## Garantiperiode

Produkt	Privat brug	Erhvervmæssig brug
Udstyr	36 måneder	3 måneder
Motor*	36 måneder	12 måneder
Batteri (hvis dette medfølger)	12 måneder	12 måneder

\* Gælder kun for Briggs & Stratton®-motorer. Garantidækning af ikke-Briggs & Stratton-motorer gives af den pågældende motorproducent. Emmissionsrelaterede komponenter er omfattet af emissionsgarantierklæringen.

\*\* I Australien gælder følgende uanset andre bestemmelser: Vores produkter sælges med en garanti, der ikke kan bortfalde i henhold til den australske forbrugerlovgivning. Du er berettiget til erstatning eller refusion i tilfælde af en væsentlig defekt og til kompensation for ethvert forudseeligt tab eller skade. Du er derudover berettiget til at få dine varer repareret eller erstattet, hvis varerne ikke lever op til kvaliteten, og manglen ikke er i forbindelse med en væsentlig defekt. Medmindre det kræves i henhold til australsk forbrugerlovgivning, er Snapper® ikke ansvarlig i henhold til denne garanti over for kunden eller nogen anden person i forbindelse med denne garanti for følgeskader, direkte eller indirekte skader, tab eller omkostninger, som kunden eller nogen anden person har pådraget sig eller lidt; eller enhver skade på ejendom, tab af omsætning, tab af fortjeneste, tab af forretning eller tab af goodwill, der opstår som følge af, at et produkt ikke fungerer korrekt. I forbindelse med service under garantien findes den nærmeste autoriserede serviceforhandler på kortet over forhandlere på BRIGGSandSTRATTON.COM ved at ringe til 1300 274 447 eller ved at sende en e-mail eller skrive til salesenquiries@briggsandstratton.com.au, Briggs & Stratton Australia Pty Ltd, 3 Imperata Pl, Kemp's Creek, NSW, Australien, 2178.

Garantiperioden træder i kraft på købsdatoen for den oprindelige detail- eller erhvervskunde. "Privat brug" betyder brug i personlig beboelseshusholdning hos en detailkunde. "Erhvervmæssig brug" betyder al anden form for brug, inklusive erhvervmæssigt, indkomstdannende eller lejebaseret formål. Så snart et produkt har været i erhvervmæssig brug, vil det herefter blive betragtet som værende i erhvervmæssig brug, hvad angår denne garanti.

For at sikre en hurtig og fuldstændig garantidækning, registrer produktet online på [onlineproductregistration.com](http://onlineproductregistration.com).

Gem dit købsbevis. Hvis du ikke kan fremvise bevis for den oprindelige købsdato på det tidspunkt, hvor du anmoder om garantiservice, vil produktets produktionsdato blive brugt som grundlag for garantien. Det er ikke nødvendigt at registrere dit produkt for at opnå garanti på Briggs & Stratton-produkter.

## Om garantien

Garantiservice ydes kun af Snapper® autoriserede serviceforhandlere. Denne garanti dækker kun materiale- og fabrikationsfejl. Den dækker ikke skader, der er opstået som følge af ukorrekt brug eller mishandling, forkert

vedligeholdelse eller reparation, normalt slid samt gammelt eller ikke-godkendt brændstof.

**Ukorrekt brug og misbrug** – Den korrekte brug, som dette produkt er beregnet til, er beskrevet i betjeningsvejledningen. Ved anvendelse af produktet på en måde, der ikke er beskrevet i betjeningsvejledningen, eller ved anvendelse af et beskadiget produkt, bortfalder denne garanti. Garantien er ugyldig, hvis produktets serienummer er fjernet, hvis produktet på nogen måde er ændret eller modificeret, bærer tegn på mishandling som f.eks. sammenstød samt korrosionsskader pga. vand eller kemikalier.

**Forkert vedligeholdelse eller reparation** – Dette produkt skal vedligeholdes i overensstemmelse med procedurerne og skemaerne, som de er angivet i betjeningsvejledningen. Ved servicering og reparation skal der bruges originale dele fra Briggs & Stratton® eller tilsvarende. Skader, der skyldes manglende vedligeholdelse, eller brug af dele, der ikke er originale, er ikke dækket af garantien.

**Normalt slid** - Som med alt mekanisk udstyr bliver din maskine slidt, selv når der udføres regelmæssig vedligeholdelse. Denne garanti dækker ikke reparationer, hvor normal brug har forårsaget udløb af levetiden for en del af eller hele udstyret. Vedligeholdelses- og sliddele, som f.eks. filtre, remme, klinger og bremseklodser (undtagen motorens bremseklodser), dækkes ikke af garantien ved tegn på slitage alene, medmindre årsagen er materiale- eller fabrikationsfejl.

**Gammelt brændstof eller ikke-godkendt brændstof** – For at kunne fungere korrekt kræver dette produkt friskt brændstof, som overholder de kriterier, der er angivet i betjeningsvejledningen. Skade på motor eller udstyr, der skyldes gammelt brændstof eller brug af brændstof, der ikke er godkendt (såsom E15- eller E85-blandinger), er ikke dækket af garantien.

**Andre undtagelser** - Denne garanti omfatter ikke skader, der skyldes uheld, misbrug, modifikationer, ændringer, ukorrekt vedligeholdelse, frysning eller kemisk nedbrydning. Tilbehør og andre dele, der ikke oprindeligt fulgte med produktet, er heller ikke omfattet af garantien. Der findes ingen garantidækning på udstyr, der anvendes som primær strømkilde i stedet for netstrøm, eller på udstyr, der bruges til livreddende anvendelser. Denne garanti omfatter ikke udstyr eller maskiner, der er brugte eller renoverede, eller som har været brugt til demonstrationsbrug. Denne garanti udelukker også fejl og svigt på grund af naturbegivenheder eller andre force majeure-begivenheder uden for producentens kontrol.

80015795 Revision A



# Vielen Dank

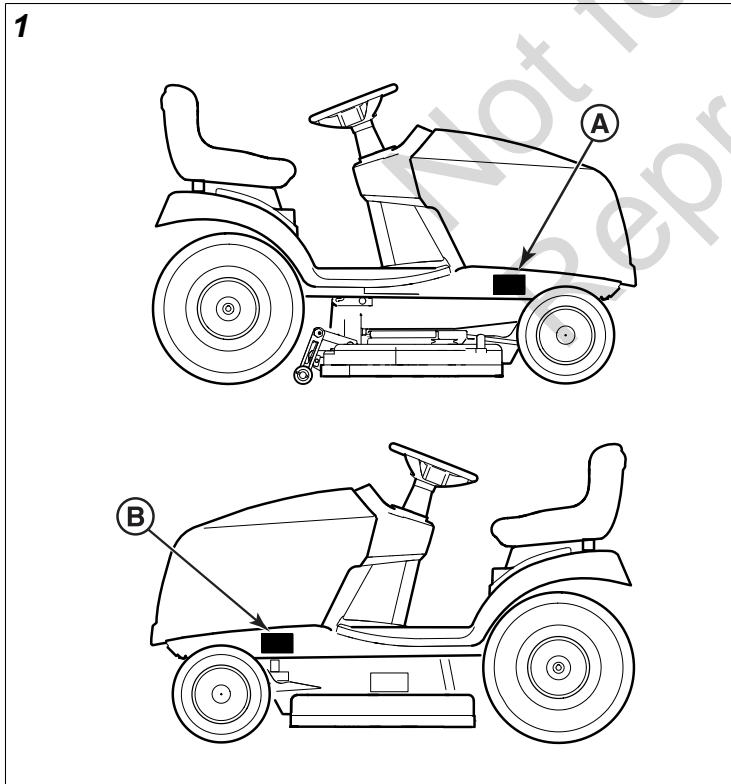
Vielen Dank für den Kauf dieses Snapper®-Qualitätsprodukts. Wir freuen uns, dass Sie Vertrauen in die Marke Snapper® haben. Bei Betrieb und Wartung gemäß der Angaben in dieser Bedienungsanleitung wird Ihr Produkt über viele Jahre zuverlässig funktionieren.

Diese Bedienungsanleitung enthält Sicherheitsinformationen, um Sie über die Gefahren und Risiken im Zusammenhang mit diesem Gerät zu informieren und Ihnen zu vermitteln, wie man sie vermeidet. Dieses Produkt ist ausschließlich für die in der Bedienungsanleitung beschriebene Verwendung konzipiert. Es ist wichtig, dass Sie die Anleitungen in der Bedienungsanleitung gründlich durchlesen und verstehen, bevor Sie diese Maschine in Betrieb nehmen, verwenden oder warten. **Heben Sie diese Anweisungen als Nachschlagewerk auf.**

Dieses Produkt muss vor der Verwendung fertig montiert werden. Dieser Vorgang wird in der Anleitung zum Zusammenbau beschrieben. Befolgen Sie strikt alle Anweisungen, bevor Sie das Produkt verwenden. Wenn Sie bei der Montage, dem Betrieb oder der Wartung der Maschine Hilfe benötigen, wenden Sie sich an Ihre lokale Vertragswerkstatt oder besuchen Sie [snapper.eu](http://snapper.eu).

## Kennzeichnungsschild

Lokalisieren Sie das Typenschild Ihres Produkts (A, wie in Abbildung 1 dargestellt).



Tragen Sie Ihre Modellidentifikationsnummern und Seriennummern in dem dafür vorgesehenen Feld ein, damit Sie leicht darauf zugreifen können.

Produktmodellnummer:	
----------------------	--

Produktseriennummer:	
Motormodell – Typennummer:	
Motorkennzeichen/Seriennr.:	
Kaufdatum:	
Kaufort:	

Wenn Sie Ihren Vertragshändler aufgrund von Ersatzteilen, Serviceleistungen oder Informationen kontaktieren, **MÜSSEN** Sie diese Nummern angeben.

Die illustrierte Ersatzteilliste für diese Maschine kann unter [snapper.eu](http://snapper.eu) heruntergeladen werden. Bitte geben Sie das Modell und die Seriennummer bei der Bestellung von Ersatzteilen an.

## Unsicherheit der Vibrationsmessung

**Unsicherheit der Schwingungsmessung** – Die Schwingungen der Maschine wurden mit Verfahren und Methoden aufgezeichnet, die in den einschlägigen internationalen Normen beschrieben sind, die zum Zeitpunkt der Herstellung in Kraft waren. Die Messunsicherheiten können zu einer Abweichung von bis zu 5 % von dem in der Konformitätserklärung veröffentlichten Wert führen.

## Garantie

### Garantieerklärung

#### BESCHRÄNKTE GARANTIE

Briggs & Stratton garantiert, dass während des unten angegebenen Garantiezeitraums jegliche Teile mit Werkstoff- oder Fertigungsmängeln oder beiden Mängeln kostenlos repariert oder ersetzt werden. Die beim Einschicken des Produkts zwecks Reparatur oder Austausch gemäß dieser Garantie entstehenden Transportkosten sind vom Käufer zu tragen. Diese Garantie ist für die Zeiträume und unter den unten genannten Bedingungen wirksam. Hinsichtlich Garantieleistungen finden Sie die nächstgelegene Vertragswerkstatt auf unserer Händlersuchekarte unter [snapper.eu](http://snapper.eu).

Der Käufer muss den Vertragshändler kontaktieren und diesem das Produkt für die Prüfungen und Tests zur Verfügung stellen.

**Es besteht keine andere ausdrückliche Garantie. Andere Garantien, einschließlich die Garantie der handelsüblichen Qualität und der für die Eignung für einen bestimmten Zweck, sind auf den unten angegebenen Garantiezeitraum oder das gesetzlich zulässige Ausmaß beschränkt. Die Haftung für beiläufig entstandene Schäden oder Folgeschäden ist ausgeschlossen, soweit der Ausschluss gesetzlich zulässig ist.** In einigen Staaten ist die Dauer der implizierten Garantie bzw. die Ausnahme oder Beschränkung von Folge- oder Begleitschäden nicht zulässig, daher könnte die oben genannte Beschränkung oder Ausnahme eventuell nicht auf Sie zutreffen. Durch diese Garantie erhalten Sie spezielle Rechte, außerdem können Sie auch noch andere,



von Bundesstaat zu Bundesstaat oder von Land zu Land unterschiedliche Rechte haben.\*\*

## Garantiezeitraum

Artikel	Private Verwendung	Gewerblicher Einsatz
Gerät	36 Monate	3 Monate
Motor*	36 Monate	12 Monate
Batterie (falls vorhanden)	12 Monate	12 Monate

\* Trifft nur auf Motoren von Briggs & Stratton® zu. Die Garantieabdeckung für Motoren, die nicht von Briggs & Stratton sind, erfolgt durch den Hersteller solcher Motoren. Emissionsbezogene Komponenten sind von der Emissionsgarantie-Erklärung gedeckt.

\*\* In Australien gilt, ungeachtet anderer Bestimmungen, Folgendes: Unsere Waren sind durch Garantien abgedeckt, die unter dem australischen Verbraucherschutzgesetz nicht ausgeschlossen werden können. Bei erheblichen Fehlern haben Sie Anspruch auf Ersatz oder Erstattung sowie auf Schadensersatz bei weiteren angemessen vorhersehbaren Verlusten oder Schäden. Darüber hinaus haben Sie Anspruch auf Reparatur oder Ersatz der Waren, falls diese nicht die zu erwartende Qualität aufweisen und der Defekt keinen erheblichen Fehler darstellt. Sofern nicht durch das australische Verbraucherschutzgesetz vorgeschrieben, haftet Snapper® im Rahmen dieser Garantie gegenüber dem Kunden oder einer anderen Person nicht für Folgeschäden, direkte oder indirekte Schäden, Verluste oder Kosten, die dem Kunden oder einer anderen Person entstanden sind oder die er/sie erlitten hat, oder für Sachschäden, Umsatz-, Gewinn-, Geschäfts- oder Firmenwertverluste, die sich aus der nicht ordnungsgemäßen Funktion des Produkts ergeben. Für Garantieleistungen finden Sie die nächstgelegene Vertragswerkstatt auf unserer Händlersuchkarte unter BRIGGSandSTRATTON.COM oder telefonisch unter 1300 274 447, per E-Mail oder schriftlich an salesenquiries@briggsandstratton.com.au, Briggs & Stratton Australia Pty Ltd, 3 Imperata Pl, Kemp's Creek, NSW, Australia, 2178.

Die Garantiezeit beginnt mit dem Datum des Kaufs durch den ersten Einzelverbraucher oder gewerblichen Endverbraucher. „Endverbraucher-Nutzung“ bedeutet die private Verwendung im eigenen Haushalt durch einen Einzelhandelskunden. „Gewerbliche Verwendung“ bedeutet alle anderen Verwendungszwecke, einschließlich gewerblicher Zwecke, Zwecke zum Erzielen eines Einkommens oder für Maschinenverleih. Wenn das Produkt einmal kommerziell genutzt wurde, wird es danach für die Zwecke dieser Garantie als kommerziell genutztes Produkt betrachtet.

Zur Sicherung einer umgehenden und vollständigen Garantieabdeckung registrieren Sie Ihr Produkt online unter [onlineproductregistration.com](http://onlineproductregistration.com).

Bewahren Sie Ihren Kaufbeleg auf. Wenn Sie zu dem Zeitpunkt, an dem die Garantieleistung gefordert wird, keinen Beleg für das Datum des Erstkaufs vorlegen können, wird zur

Bestimmung des Garantiezeitraums das Herstellungsdatum des Produkts verwendet. Die Produktregistrierung ist für den Erhalt von Garantieleistungen für Produkte von Briggs & Stratton nicht erforderlich.

## Zur Garantie

Garantieleistungen sind nur durch Snapper® Vertragshändler durchzuführen. Diese Garantie erstreckt sich ausschließlich auf Material- und Verarbeitungsmängel. Sie deckt keine Schäden ab, die durch unsachgemäßen Gebrauch oder Missbrauch des Geräts, unsachgemäße Wartung oder Reparatur, normalen Verschleiß oder die Verwendung von altem oder nicht zugelassenem Kraftstoff verursacht wurden.

**Unsachgemäße Verwendung und Missbrauch** – Der ordnungsgemäße beabsichtigte Verwendungszweck dieses Produkts ist in der Bedienungsanleitung beschrieben. Die Verwendung des Produkts auf eine Weise, die in der Bedienungsanleitung nicht beschrieben ist, oder die Verwendung des Produkts nach Beschädigung ist nicht durch diese Garantie abgedeckt. Eine Garantieleistung ist ausgeschlossen, wenn die Seriennummer des Produkts entfernt oder das Produkt auf irgendeine Weise verändert oder modifiziert wurde oder wenn das Produkt nachweislich unsachgemäß verwendet wurde, z. B. Schäden durch äußere Einwirkung oder Korrosionsschäden durch Wasser bzw. Chemikalien aufweist.

**Unsachgemäße Wartung oder Reparatur** – Dieses Produkt muss gemäß den Anweisungen und dem Wartungsplan in der Bedienungsanleitung gewartet werden, und es dürfen nur Originalersatzteile von Briggs & Stratton® oder gleichwertige Ersatzteile verwendet werden. Schäden, die auf mangelnde Wartung oder die Verwendung von nicht originalen Ersatzteilen zurückzuführen sind, fallen nicht unter die Garantie.

**Normale Abnutzung** – Wie alle mechanischen Geräte unterliegt diese Maschine der normalen Abnutzung, selbst wenn sie ordnungsgemäß gewartet wird. Diese Garantie deckte keine Reparaturen ab, die erforderlich werden, wenn die Lebensdauer eines Teils oder des Geräts durch normalen Verschleiß erschöpft ist. Wartungs- und Verschleißteile, wie Filter, Riemen, Messer und Bremsbeläge (einschließlich Motorbremsbeläge), sind allein aufgrund ihrer Verschleiß Eigenschaften nicht durch die Garantie abgedeckt, es sei denn, die Schadensursache ist auf Material- oder Verarbeitungsmängel zurückzuführen.

**Alte oder unzulässige Kraftstoffe** – Für eine korrekte Funktionsweise benötigt dieses Produkt frischen, den Spezifikationen in der Bedienungsanleitung entsprechenden Kraftstoff. Schäden am Gerät oder am Motor, die durch abgestandenen Kraftstoff oder die Verwendung nicht zugelassener Kraftstoffe (beispielsweise die Ethanolmischungen E15 und E85) verursacht werden, fallen nicht unter die Garantie.

**Andere Ausschlüsse** – Diese Garantie schließt Schäden durch Unfälle, unsachgemäßen Gebrauch, Modifizierungen, Veränderungen, unsachgemäße Wartung, Gefrieren oder Beeinträchtigungen des chemischen

Zustands aus. Anhänge oder Zubehör, die nicht Teil der Originalverpackung des Produkts waren, sind von der Gewährleistung ausgenommen. Die Gewährleistung gilt nicht für Geräte, die als Hauptenergieversorgung anstatt als Hilfsenergieversorgung verwendet werden bzw. für Geräte, die in lebenserhaltenden Anwendungen eingesetzt werden. Diese Garantie gilt nicht für gebrauchte, aufgearbeitete oder Vorführgeräte und -motoren sowie für Geräte und Motoren aus zweiter Hand. Diese Gewährleistung schließt Schäden aus, die auf höhere Gewalt und andere Einflüsse zurückzuführen sind und sich der Kontrolle durch den Hersteller entziehen.

80015795 Revision A

Not for  
Reproduction

# Σας ευχαριστούμε

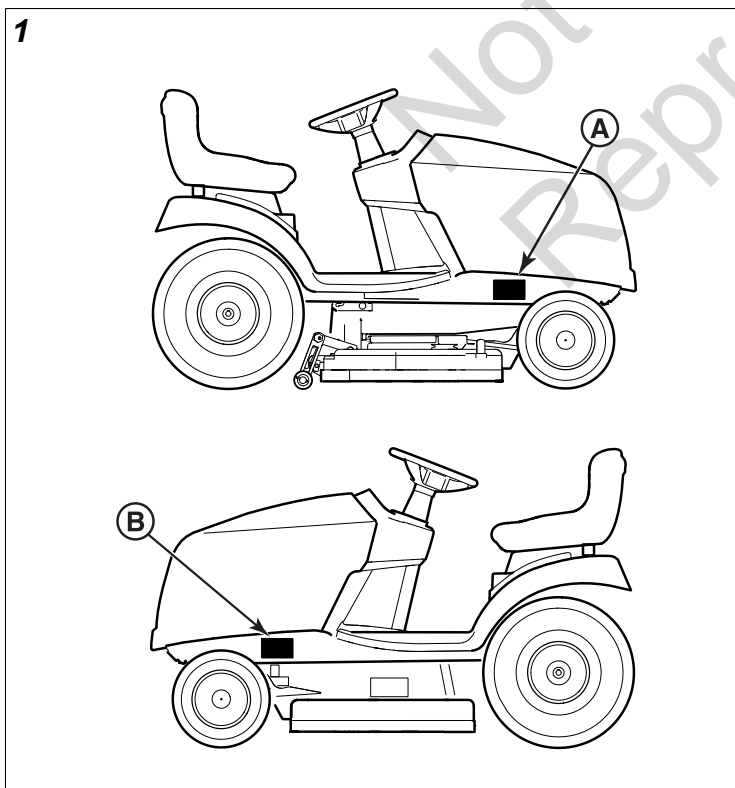
Σας ευχαριστούμε που αγοράσατε αυτό το εξαιρετικής ποιότητας Snapper® προϊόν. Είμαστε ικανοποιημένοι που έχετε εμπιστοσύνη στη Snapper® μάρκα. Εφόσον ο χειρισμός και η συντήρηση του προϊόντος γίνονται σύμφωνα με τα εγχειρίδια, το εν λόγω προϊόν θα λειτουργεί αξιόπιστα για πολλά χρόνια.

Το Εγχειρίδιο Χειριστή περιέχει πληροφορίες ασφαλείας για να μπορέσετε να κατανοήσετε όλους τους πιθανούς κινδύνους που συνδέονται με τη μονάδα και πώς μπορείτε να τους αποφύγετε. Το συγκεκριμένο προϊόν σχεδιάστηκε για να χρησιμοποιείται όπως περιγράφεται στο Εγχειρίδιο Χειριστή και δεν προβλέπεται η χρήση του για κανέναν άλλο σκοπό. Είναι σημαντικό να διαβάσετε και να εμπεδώσετε τις οδηγίες που παρατίθενται στο εγχειρίδιο προτού επιχειρήσετε να αρχίσετε να χρησιμοποιείτε ή να θέσετε σε λειτουργία το προϊόν ή να εκτελέσετε εργασίες συντήρησής του. **Φυλάξτε αυτό το πρωτότυπο εγχειρίδιο για μελλοντική χρήση.**

Το προϊόν απαιτεί τελική συναρμολόγηση, η οποία περιγράφεται στις Οδηγίες ρύθμισης. Πριν τη χρήση, βεβαιωθείτε ότι ακολουθείτε πλήρως τις οδηγίες. Εάν χρειαστείτε βοήθεια σε οτιδήποτε αφορά τη συναρμολόγηση, τη λειτουργία ή τη συντήρηση του προϊόντος, επικοινωνήστε με τον Εξουσιοδοτημένο αντιπρόσωπο σέρβις στην περιοχή σας ή επισκεφτείτε το [snapper.eu](http://snapper.eu).

## Ετικέτα αναγνώρισης

Εντοπίστε την ετικέτα αναγνώρισης προϊόντος (A) όπως φαίνεται στην Εικόνα 1.



Καταγράψτε τους αριθμούς αναγνώρισης και τους σειριακούς αριθμούς μοντέλου στον προβλεπόμενο χώρο για εύκολη πρόσβαση.

Αριθμός μοντέλου προϊόντος:	
Σειριακός αριθμός προϊόντος:	
Αριθμός μοντέλου - τύπου κινητήρα:	
Κωδικός / Σειριακός αριθμός κινητήρα:	
Ημερομηνία αγοράς:	
Τόπος αγοράς:	

Όταν επικοινωνείτε με τον Εξουσιοδοτημένο Αντιπρόσωπό σας για ανταλλακτικά, σέρβις ή πληροφορίες ΠΡΕΠΕΙ να έχετε αυτούς τους αριθμούς.

Μπορείτε να κάνετε λήψη του Καταλόγου εικονογραφημένων ανταλλακτικών για αυτό το μηχάνημα από το [snapper.eu](http://snapper.eu). Όταν παραγγέλλετε ανταλλακτικά, πρέπει να αναφέρετε το μοντέλο και τον σειριακό αριθμό.

## Αβεβαιότητα μέτρησης δονήσεων

**Αβεβαιότητα μέτρησης κραδασμών** - Οι κραδασμοί του μηχανήματος καταγράφηκαν χρησιμοποιώντας μεθόδους και διαδικασίες που περιγράφονται στα κατάλληλα Διεθνή πρότυπα που ίσχυαν τη στιγμή της κατασκευής. Οι αβεβαιότητες που οφείλονται στη μέτρηση μπορεί να επιφέρουν απόκλιση έως και 5% από τη δημοσιευμένη τιμή που φαίνεται στη Δήλωση συμμόρφωσης.

## Εγγύηση

### Δήλωση εγγύησης ΠΕΡΙΟΡΙΣΜΕΝΗ ΕΓΓΥΗΣΗ

Η Briggs & Stratton εγγυάται ότι, κατά τη διάρκεια της περιόδου εγγύησης που καθορίζεται παρακάτω, θα επισκευάσει ή θα αντικαταστήσει χωρίς καμία χρέωση κάθε εξάρτημα που θα διαπιστωθεί ότι είναι ελαττωματικό λόγω υλικών ή κακοτεχνίας ή και για τους δύο αυτούς λόγους. Τα έξοδα μεταφοράς για τα προϊόντα που αποστέλλονται για επισκευή ή αντικατάσταση στο πλαίσιο της παρούσας εγγύησης επιβαρύνουν τον αγοραστή. Η παρούσα εγγύηση ισχύει για τα χρονικά διαστήματα και υπό τους όρους που αναφέρονται παρακάτω. Για εργασίες συντήρησης στο πλαίσιο της εγγύησης, βρείτε τον πλησιέστερο Εξουσιοδοτημένο αντιπρόσωπο σέρβις στον χάρτη του Εντοπιστή Αντιπροσώπων στο [snapper.eu](http://snapper.eu).

Ο αγοραστής πρέπει να επικοινωνήσει με τον εξουσιοδοτημένο αντιπρόσωπο σέρβις και, στη συνέχεια, να του παρουσιάσει το προϊόν για έλεγχο και δοκιμή.

**Δεν υπάρχει άλλη ρητή εγγύηση. Οι εξυπακουόμενες εγγυήσεις, συμπεριλαμβανομένων των εγγυήσεων εμπορευσιμότητας και καταλληλότητας για συγκεκριμένο σκοπό, περιορίζονται στην περίοδο της εγγύησης που αναφέρεται παρακάτω ή στον βαθμό που επιτρέπεται από τον νόμο. Οι ευθύνες για ακούσια ή επακόλουθη ζημιά εξαιρούνται στον βαθμό που επιτρέπεται από**

**την ισχύουσα νομοθεσία.** Ορισμένες πολιτείες ή χώρες δεν επιτρέπουν περιορισμούς όσον αφορά τη διάρκεια των σιωπηρών εγγυήσεων και ορισμένες πολιτείες ή χώρες δεν επιτρέπουν την εξαίρεση ή τον περιορισμό της τυχαιάς ή επακόλουθης ζημιάς και, συνεπώς, ο περιορισμός και η εξαίρεση που προαναφέρονται μπορεί να μην ισχύουν για εσάς. Αυτή η εγγύηση σας παρέχει συγκεκριμένα νομικά δικαιώματα και μπορεί να έχετε επίσης και άλλα δικαιώματα τα οποία διαφέρουν από πολιτεία σε πολιτεία ή από χώρα σε χώρα.\*\*

## Περίοδος Εγγύησης

Στοιχείο	Καταναλωτική χρήση	Επαγγελματική χρήση
Εξοπλισμός	36 Μήνες	3 Μήνες
Κινητήρας*	36 Μήνες	12 Μήνες
Μπαταρία (αν υπάρχει)	12 Μήνες	12 Μήνες

\* Ισχύει μόνο για τους κινητήρες της Briggs & Stratton®. Η κάλυψη μέσω εγγύησης για κινητήρες που δεν έχουν κατασκευαστεί από την Briggs & Stratton παρέχεται από τον κατασκευαστή των εν λόγω κινητήρων. Τα στοιχεία που σχετίζονται με τις εκπομπές καλύπτονται από τη Δήλωση εγγύησης περί εκπομπών.

\*\* Στην Αυστραλία, ισχύουν τα ακόλουθα, παρά την ύπαρξη άλλων διατάξεων: Τα προϊόντα μας συνοδεύονται από εγγυήσεις που δεν μπορούν να εξαιρεθούν από την Αυστραλιανή Νομοθεσία περί Προστασίας των Καταναλωτών. Δικαιούστε αντικατάσταση ή επιστροφή χρημάτων σε περίπτωση σοβαρής βλάβης και αποζημίωση σε περίπτωση οποιασδήποτε άλλης ευλόγως προβλέψιμης απώλειας ή βλάβης. Δικαιούστε επίσης επισκευή ή αντικατάσταση των προϊόντων, εάν η ποιότητα των προϊόντων είναι μη αποδεκτή, ακόμα και εάν η βλάβη δεν είναι σοβαρή. Εκτός εάν απαιτείται από την Αυστραλιανή Νομοθεσία περί Προστασίας των Καταναλωτών, η Snapper® δεν φέρει καμία ευθύνη σύμφωνα με την παρούσα Εγγύηση προς τον Πελάτη ή άλλο πρόσωπο σε σχέση με την παρούσα Εγγύηση, για παρεπόμενες, άμεσες ή έμμεσες ζημιές, απώλειες ή δαπάνες που προκύπτουν ή βαρύνουν τον Πελάτη ή άλλο πρόσωπο ή για τυχόν ζημιά σε περιουσία, απώλεια κύκλου εργασιών, απώλεια κερδών, απώλεια επιχειρηματικής δραστηριότητας ή απώλεια καλής θέλησης, που προκύπτει από την αποτυχία οποιουδήποτε προϊόντος να λειτουργήσει σωστά. Για σέρβις στο πλαίσιο της εγγύησης, εντοπίστε τον πλησιέστερο Εξουσιοδοτημένο αντιπρόσωπο σέρβις στον χάρτη του εντοπιστή αντιπροσώπων μας στο BRIGGSandSTRATTON.COM ή καλέστε στο 1300 274 447 ή στείλτε μας e-mail στη διεύθυνση salesenquires@briggsandstratton.com.au ή επιστολή στη διεύθυνση Briggs & Stratton Australia Pty Ltd, 3 Imperata Pl, Kemps Creek, NSW, Αυστραλία, 2178.

Η περίοδος εγγύησης αρχίζει από την ημερομηνία αγοράς από τον πρώτο πελάτη λιανικής πώλησης ή καταναλωτή. «Καταναλωτική χρήση» σημαίνει προσωπική, κατ' οίκον χρήση από καταναλωτή προϊόντων λιανεμπορίου. «Επαγγελματική χρήση» σημαίνει όλες τις άλλες χρήσεις συμπεριλαμβανομένης της χρήσης για επαγγελματικούς και εισοδηματικούς σκοπούς ή σκοπούς ενοικίασης. Εφόσον το

προϊόν χρησιμοποιηθεί για σκοπούς εμπορίας, βάσει των προαναφερθέντων η χρήση του θα θεωρηθεί εμπορική για τους σκοπούς της παρούσας εγγύησης.

Για να διασφαλίσετε την άμεση και πλήρη κάλυψη της εγγύησης, δηλώστε το προϊόν σας ηλεκτρονικά στην ιστοσελίδα [www.onlineproductregistration.com](http://www.onlineproductregistration.com).

Φυλάξτε την απόδειξη αγοράς. Εάν δεν προσκομίσετε αποδεικτικό της αρχικής αγοράς τη στιγμή της αίτησης για επισκευή βάσει της εγγύησης, ο προσδιορισμός της περιόδου εγγύησης θα βασιστεί στην ημερομηνία κατασκευής του προϊόντος. Η δήλωση του προϊόντος δεν είναι απαραίτητη για να δικαιούστε υπηρεσίες εγγύησης για τα προϊόντα της Briggs & Stratton.

## Σχετικά με την εγγύησή σας

Η παροχή υπηρεσιών εγγύησης είναι διαθέσιμη μόνο μέσω των Snapper® εξουσιοδοτημένων αντιπροσώπων σέρβις. Η παρούσα εγγύηση καλύπτει μόνο ελαττώματα στο υλικό ή την κατασκευή. Δεν καλύπτει ζημιές που προκλήθηκαν από ακατάλληλη ή κακή χρήση, μη ενδεδειγμένες εργασίες συντήρησης ή επισκευής ή φυσιολογική φθορά ή χρήση ξεθουμασμένων ή μη εγκεκριμένων καυσίμων.

**Ακατάλληλη και κακή χρήση** - Η ενδεδειγμένη, προβλεπόμενη χρήση του συγκεκριμένου προϊόντος περιγράφεται στο Εγχειρίδιο χειριστή. Η χρήση του προϊόντος με τρόπο που δεν περιγράφεται στο Εγχειρίδιο χειριστή ή αφού παρουσιάσει βλάβη, καθιστά την εγγύησή σας άκυρη. Η εγγύηση είναι άκυρη αν έχει αφαιρεθεί ο σειριακός αριθμός από το προϊόν ή αν το προϊόν έχει υποστεί αλλαγές ή τροποποιήσεις με οποιονδήποτε τρόπο ή αν παρουσιάζει εμφανή σημεία κακής χρήσης, όπως ζημιά που οφείλεται σε χτυπήματα ή διάβρωση από νερό/χημικά.

**Ακατάλληλη συντήρηση ή επισκευή** - Αυτό το προϊόν πρέπει να συντηρείται σύμφωνα με τις διαδικασίες και τα χρονοδιαγράμματα του Εγχειριδίου Χειριστή και να επισκευάζεται ή να γίνεται σέρβις χρησιμοποιώντας γνήσια ανταλλακτικά Briggs & Stratton® ή ισοδύναμα. Η εγγύηση δεν καλύπτει ζημιές που οφείλονται σε ελλιπή συντήρηση ή χρήση μη γνήσιων εξαρτημάτων.

**Φυσιολογική φθορά** - Όπως και οι περισσότερες συσκευές μηχανολογικού εξοπλισμού, η μονάδα σας υπόκειται σε φθορά ακόμα και όταν συντηρείται σωστά. Η παρούσα εγγύηση δεν καλύπτει επισκευές όταν η διάρκεια ζωής ενός εξαρτήματος ή του εξοπλισμού έχει εξαντληθεί μετά από φυσιολογική χρήση. Τα στοιχεία που συντηρούνται και εμφανίζουν φθορά, όπως τα φίλτρα, οι ιμάντες, οι κοπτικές λεπίδες, τα τακάκια των φρένων (εκτός από τα τακάκια φρένων του κινητήρα) δεν καλύπτονται από την εγγύηση λόγω της φθοράς, εκτός αν η αιτία οφείλεται σε ελαττώματα υλικού ή κατασκευής.

**Παλιά ή μη εγκεκριμένα καύσιμα** - Για τη σωστή λειτουργία του προϊόντος απαιτούνται νεοπαραχθέντα καύσιμα τα οποία πρέπει να συμμορφώνονται με τα κριτήρια που καθορίζονται στο Εγχειρίδιο χειριστή. Η εγγύηση δεν καλύπτει ζημιές στον κινητήρα ή στον εξοπλισμό που οφείλονται στη χρήση

ξεθυμασμένων ή μη εγκεκριμένων καυσίμων (π.χ. μείγματα αιθυλικής αλκοόλης E15 ή E85).

**Άλλες εξαιρέσεις** - Αυτή η εγγύηση αποκλείει ζημιές που οφείλονται σε ατύχημα, κακή χρήση, τροποποιήσεις, μετατροπές, ακατάλληλη συντήρηση, πάγωμα ή χημική αλλοίωση. Επίσης, δεν καλύπτονται προσαρτήματα ή αξεσουάρ που δεν περιλαμβάνονταν στη αρχική συσκευασία του προϊόντος. Η παρούσα εγγύηση δεν καλύπτει εξοπλισμό που χρησιμοποιείται ως αρχική παροχή τροφοδοσίας αντί βοηθητικής παροχής τροφοδοσίας ή εξοπλισμό που χρησιμοποιείται σε εφαρμογές υποστήριξης ζωτικών λειτουργιών. Αυτή η εγγύηση δεν καλύπτει εξοπλισμό χρησιμοποιημένο, επισκευασμένο, από δεύτερο χέρι, ή εξοπλισμό επίδειξης ή κινητήρες. Αυτή η εγγύηση εξαιρεί επίσης βλάβες που οφείλονται σε θεομηνίες και άλλα γεγονότα ανωτέρας βίας πέραν του ελέγχου του κατασκευαστή.

80015795 Revision A

Not for  
Reproduction

# Gracias

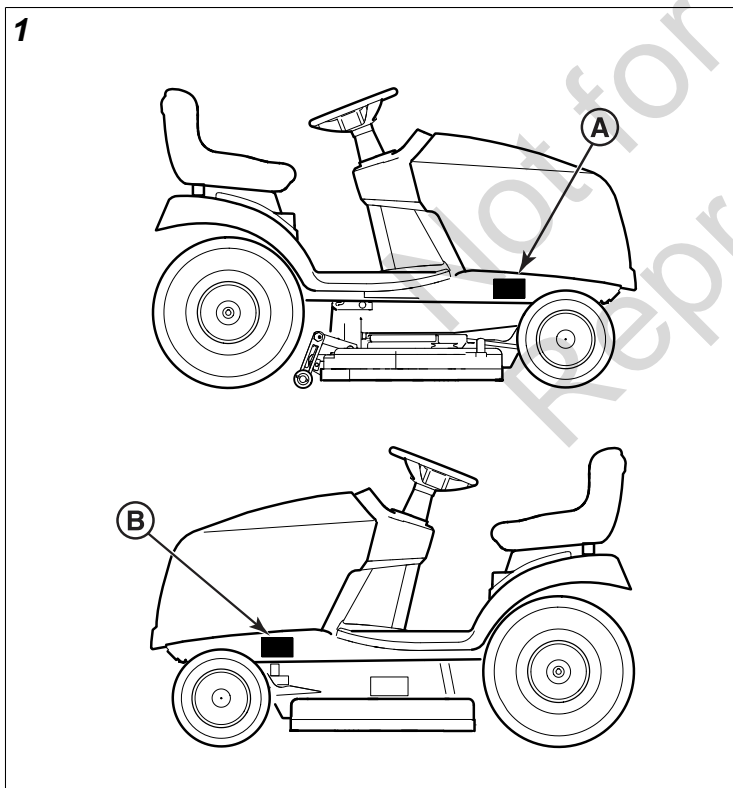
Gracias por adquirir este producto Snapper® de alta calidad. Nos complace que haya depositado su confianza en la marca Snapper®. Si lo maneja y mantiene tal y como se indica en estos manuales, este producto le proporcionará muchos años de funcionamiento fiable.

Este Manual del operario contiene información de seguridad para advertirle sobre los peligros y riesgos asociados con la unidad y cómo evitarlos. Este producto está diseñado para utilizarse tal y como se describe en el Manual del operario y no puede usarse para ningún otro fin. Es importante que lea y comprenda perfectamente las instrucciones de este manual antes de intentar arrancar o usar este equipo. **Conserve estas instrucciones originales para consulta futura.**

Este producto requiere un montaje final, que se describe en las Instrucciones de montaje. Asegúrese de seguir completamente las instrucciones antes de utilizarlo. Si necesita ayuda con el montaje, el funcionamiento o el mantenimiento del producto, póngase en contacto con su distribuidor de servicio técnico autorizado o visite [snapper.eu](http://snapper.eu).

## Etiqueta de identificación

Ubique la etiqueta de identificación del producto (A) como se muestra en la Figura 1.



Registre los números de identificación de su modelo y los números de serie en el espacio provisto para un fácil acceso.

Número de modelo del producto:	
Número de serie del producto:	
Número de modelo y tipo del motor:	
Número de código y de serie del motor:	

Fecha de compra:	
Lugar de compra:	

Cuando se ponga en contacto con su Distribuidor Autorizado para pedir piezas de repuesto, servicio o información, usted DEBE tener estos números.

Puede descargar la lista de piezas ilustrada de esta máquina desde [snapper.eu](http://snapper.eu). Proporcione el modelo y el número de serie cuando solicite componentes de reemplazo.

## Incertidumbre sobre la medición de la vibración

**Incertidumbre sobre la medición de la vibración:** la vibración de la máquina puede registrarse utilizando los métodos y procedimientos descritos en la normativa internacional correspondiente que esté en vigor en el momento de la fabricación. La incertidumbre ocasionada por la medición puede traducirse en una variación de hasta el 5 % con respecto al dato publicado y que se muestra en la Declaración de conformidad.

## Garantía

### Declaración de garantía

#### GARANTÍA LIMITADA

Briggs & Stratton garantiza que, durante el periodo de garantía especificado a continuación, reparará o reemplazará, sin cargo, cualquier pieza defectuosa en cuanto a materiales, mano de obra o ambos. El comprador será responsable de pagar los cargos de transporte relativos a los productos enviados para reparación o sustitución según esta garantía. Esta garantía se mantiene vigente durante los periodos de tiempo indicados a continuación y está sujeta a dichos periodos y a las condiciones que se indican a continuación. Para recibir servicio de garantía, localice al distribuidor de servicio técnico autorizado más cercano en nuestro mapa de localización de distribuidores en [snapper.eu](http://snapper.eu).

El comprador debe ponerse en contacto con el distribuidor de servicio autorizado y hacerle llegar el producto para que lo inspeccione y lo pruebe.

**No existe otra garantía expresa. Las garantías implícitas, incluidas las de comerciabilidad e idoneidad para un propósito en particular, están limitadas al periodo de garantía mencionado a continuación, o en la medida que lo permita la ley. La responsabilidad por daños accidentales o emergentes queda excluida en la medida en que ello venga permitido conforme a derecho.** Algunos estados o países no contemplan limitaciones en cuanto a la duración de una garantía implícita y otros estados o países no permiten la exclusión o limitación de daños indirectos o incidentales, en cuyo caso la limitación y la exclusión anteriores puede que no se apliquen en su caso. Esta garantía le otorga derechos legales específicos y también

podría ejercer otros derechos que varían según su estado o país.\*\*

## Período de garantía

Artículo	Uso del consumidor	Uso comercial
Equipo	36 meses	3 meses
Motor*	36 meses	12 meses
Batería (si tiene)	12 meses	12 meses

\* Se aplica solamente a los motores Briggs & Stratton®. La cobertura de garantía de motores diferentes a los motores Briggs & Stratton la suministra el fabricante del motor. Los componentes relacionados con las emisiones están cubiertos por la declaración de garantía de emisiones.

\*\* En Australia, se aplica lo siguiente, sin perjuicio de cualquier otra disposición: Nuestros productos están cubiertos por garantías ineludibles de acuerdo con la legislación sobre consumo de este país. Tiene derecho a una sustitución o un reembolso por una avería importante y a compensación por cualquier otra pérdida o daño razonablemente previsible. También tiene derecho a una reparación o sustitución de productos si estos no son de una calidad aceptable y la avería no asciende a una avería importante. A menos que así lo exija la legislación sobre consumo de Australia, Snapper® no será responsable en virtud de esta Garantía ante el Cliente o cualquier otra persona en relación con esta Garantía, por daños, pérdidas o costes consecuentes, directos o indirectos incurridos o sufridos por el Cliente o cualquier otra persona; o cualquier daño a la propiedad, pérdida de facturación, pérdida de ganancia, pérdida de negocios o pérdida de buena voluntad, que surja del fallo de cualquier producto de operar correctamente. Para el servicio de garantía, busque su distribuidor de servicio técnico autorizado más cercano en el mapa localizador de distribuidores en BRIGGSandSTRATTON.com, llame para ello al 1300 274 447, o envíe un correo electrónico u ordinario a salesenquires@briggsandstratton.com.au, Briggs & Stratton Australia Pty Ltd, 3 Imperata Pl, Kemps Creek, NSW, Australia, 2178.

El periodo de garantía comienza a partir de la fecha de compra realizada por el primer cliente de venta minorista o comercial. "Uso del consumidor" significa uso doméstico residencial personal por un consumidor minorista. "Uso comercial" significa todos los demás usos, como el uso para fines comerciales, de producción de renta o de alquiler. Una vez que el producto haya experimentado uso comercial, será considerado en adelante como producto de uso comercial para los fines de esta garantía.

Para garantizar una cobertura de garantía puntual y completa, registre su producto en el sitio web [www.onlineproductregistration.com](http://www.onlineproductregistration.com).

Guarde su comprobante de compra. Si no aporta la prueba de la fecha de compra inicial en el momento de solicitar el servicio de garantía, se utilizará la fecha de fabricación del producto para determinar el periodo de garantía. No se

requiere registrar el producto para obtener el servicio de garantía para los productos Briggs & Stratton.

## Sobre su garantía

El servicio de garantía se encuentra disponible solamente a través de distribuidores de servicio técnico autorizados Snapper®. Esta garantía solo cubre defectos materiales y de mano de obra. No cubre los daños ocasionados por un uso incorrecto o un mal uso, un mantenimiento o unas reparaciones inadecuadas, el desgaste y la rotura propios del uso, o bien el uso de un combustible en mal estado o no aprobado.

**Uso inadecuado y abuso:** el uso adecuado, para el cual está diseñado este producto se describe en el Manual del operario. El uso del producto de alguna manera no descrita en el Manual del operario o el uso del producto una vez dañado, no estará cubierto por esta garantía. Además, no se entregará cobertura por garantía si el número de serie en el producto ha sido retirado o el producto ha sido alterado o modificado de alguna forma, o si el producto presenta evidencias de abuso, tales como daño por impacto o daño por agua o corrosión química.

**Mantenimiento o reparación no adecuados:** este producto debe recibir mantenimiento según los procedimientos y programas provistos en el Manual del operario, y se debe realizar el mantenimiento o reparar con piezas originales de Briggs & Stratton®. Los daños causados por la falta de mantenimiento o el uso de piezas no originales no están cubiertos por la garantía.

**Desgaste normal:** al igual que todos los dispositivos mecánicos, su unidad está sujeta al desgaste, incluso con el mantenimiento adecuado. Esta garantía no cubre reparaciones cuando el uso normal ha agotado la vida útil de una pieza o del equipo. Los accesorios y elementos de mantenimiento como filtros, correas, cuchillas cortantes y pastillas de freno (excepto las pastillas de freno de los motores) no están cubiertos por la garantía por sus propias características, a no ser que la causa sea un defecto del material o de fabricación.

**Combustible en mal estado o no aprobado:** para que funcione correctamente, este producto requiere combustible fresco que cumpla con los criterios especificados en el Manual del operario. El motor o los equipos dañados a causa de combustible en mal estado o por el uso de combustibles no aprobados (como las mezclas de etanol E15 o E85) no están cubiertos por la garantía.

**Otras exclusiones:** esta garantía no incluye los daños provocados por accidente, uso incorrecto, modificaciones, alteraciones, servicio incorrecto, congelación o deterioro producido por productos químicos. Tampoco se incluyen los complementos que no se enviaron originalmente con el producto. No hay cobertura de garantía para los equipos que se usan para energía principal en lugar de energía de servicio o en los equipos que se usan en aplicaciones de asistencia vital. Esta garantía no incluye motores o equipos usados, reacondicionados, de segunda mano o de prueba. Esta garantía no incluye los fallos causados por hechos



fortuitos u otros acontecimientos de fuerza mayor que escapan al control del fabricante.

80015795 Revision A

Not for  
Reproduction

# Kiitos

Kiitos, että ostit tämän laadukkaan Snapper®-tuotteen.

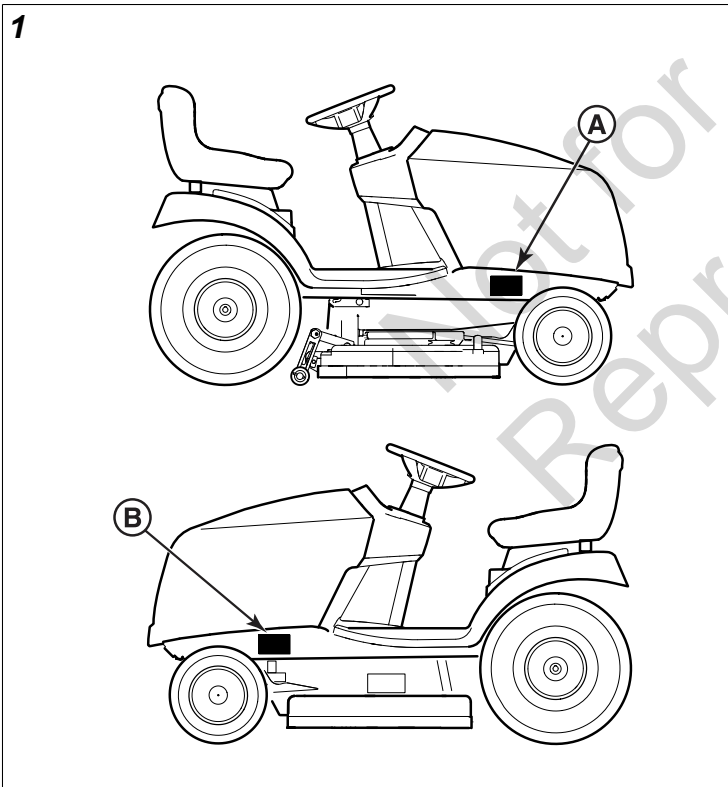
Kiitämme luottamuksestasi Snapper®-tuotemerkkiä kohtaan. Kun tuotetta käytetään ja huolletaan käyttöohjekirjojen mukaisesti, se palvelee luotettavasti vuosia.

Käyttöohjekirja sisältää turvaohjeet, jotta oppisit tunnistamaan laitteeseen liittyvät vaarat ja riskit sekä välttämään niitä. Tämä tuote on suunniteltu käytettäväksi käyttöohjekirjassa kuvatulla tavalla eikä mihinkään muuhun tarkoitukseen. On tärkeää lukea ja ymmärtää käyttöohjekirjan ohjeet perusteellisesti, ennen kuin tuotetta yritetään käynnistää, käyttää tai huoltaa. **Säilytä nämä alkuperäiset ohjeet tulevaa käyttöä varten.**

Tuote on koottava valmiiksi. Tämä kuvataan Käyttöönotto-ohjeissa. Noudata ohjeita huolellisesti alusta loppuun, ennen kuin ryhdyt käyttämään tuotetta. Jos tarvitset apua laitteen kokoamisessa, käytössä tai kunnossapidossa, ota yhteyttä paikalliseen valtuutettuun huoltoliikkeeseen tai käy osoitteessa [snapper.eu](http://snapper.eu).

## Tunnistementä

Paikanna tuotteen tunnistementä (A) kuvassa 1 esitetyllä tavalla.



Kirjoita mallin tunnistenumerot sekä moottorin sarjanumerot niille varattuun tilaan päästäksesi niihin helposti.

Tuotteen mallinnumero:	
Tuotteen sarjanumero:	
Moottorin malli – Tyyppinumero:	
Moottorin koodi/sarjanumero:	
Ostopäivä:	
Ostopaikka:	

Otettaessa yhteyttä valtuutettuun jälleenmyyjän varaosiin, huoltoon tai muihin tietoihin liittyvissä asioissa, nämä numerot TÄYTYY ilmoittaa.

Tämän koneen kuvallinen osaluettelo voidaan ladata osoitteesta [snapper.eu](http://snapper.eu). Ilmoita varaosia tilatessasi aina malli- ja sarjanumero.

## Tärinän mittauksen epätarkkuus

**Tärinämittauksen epätarkkuus** – koneen tärinä on rekisteröity käyttämällä valmistushetkellä voimassa olevissa asianmukaisissa kansainvälisissä standardeissa määriteltyjä menetelmiä ja menettelyjä. Mittauksesta johtuvat epätarkkuudet voivat aiheuttaa enintään 5 %:n varianssin suhteessa vaatimustenmukaisuusvakuutuksessa esitettyyn arvoon.

## Takuu

### Takuuehdot

#### RAJOITETTU TAKUU

Briggs & Stratton takaa, että jäljempänä määriteltynä takuaikana se korjaa tai vaihtaa veloituksetta osan tai osat, joissa on materiaali- ja/tai valmistusvika. Ostajan on maksettava takuukorjattavan tai takuuvaihdettavan tuotteen kuljetuskustannukset. Tämä takuu on voimassa jäljempänä esitetyn ajan ja jäljempänä esitetyillä ehdoilla. Jos tarvitset takuuhuoltoa, etsi lähin valtuutettu huoltoliike löytyy Etsi lähin jälleenmyyjä -työkalulla osoitteesta [snapper.eu](http://snapper.eu).

Ostajan täytyy olla yhteydessä valtuutettuun huoltomyyjään ja toimittaa tuote valtuutetulle huoltomyyjälle tarkastettavaksi ja testattavaksi.

**Muuta nimenomaista takuuta ei myönnetä. Oletetut takuut, mukaan lukien jälleenmyyntiarvoa ja sopivuutta johonkin määrättyyn käyttötarkoitukseen koskevat takuut, on rajattu alla mainittuun takuaikaan tai ne ovat voimassa lain sallimassa laajuudessa. Vastuu välillisistä tai oheisvahingoista ei kuulu tämän takuun piiriin siinä määrin, kuin lainsäädäntö tällaisen takurajoituksen sallii.** Jotkin osavaltiot tai maat eivät salli rajoituksia sen suhteen, kuinka pitkään epäsuora takuu kestää, ja jotkin osavaltiot tai maat eivät salli satunnaisten tai välillisten vahinkojen poissulkemista tai rajoittamista, joten edellä mainittu rajoitus ja poissulkeminen ei välttämättä koske sinua. Tämä takuu antaa sinulle määrättyjä laillisia oikeuksia, mutta sinulla saattaa lisäksi olla muita oikeuksia, jotka vaihtelevat valtiosta toiseen.\*\*

## Takuuaika

Kohde	Kuluttajakäyttö	Kaupallinen käyttö
Laitteisto	36 kuukautta	3 kuukautta
Moottori*	36 kuukautta	12 kuukautta
Akku (jos sellainen on)	12 kuukautta	12 kuukautta

\* Koskee vain Briggs & Stratton® -moottoreita. Muiden kuin Briggs & Stratton -moottorien takuun myöntää aina kyseisen moottorin valmistaja. Päästöihin liittyvät komponentit kuuluvat päästöjen takuulausekkeen piiriin.

\*\* Australiassa pätee seuraava muista mahdollisista määräyksistä riippumatta: Tuotteillamme on takuut, joita ei voi sulkea pois Australian kuluttajansuojalain nojalla. Olet oikeutettu vaihtoon tai hyvitykseen merkittävästä viasta sekä korvaukseen muista kohtuudella ennakoitavissa olevista menetyksistä tai vahingoista. Olet myös oikeutettu tuotteiden korjaukseen tai vaihtoon, jos niiden laatu ei ole hyväksyttävä, vaikka vikaa ei katsottaisi merkittäväksi. Paitsi jos Australian kuluttajansuojalainsäädännön toisin edellyttää, Snapper® ei ole korvausvastuussa tämän takuun nojalla kuluttajalle tai muille tähän takuuseen liittyville henkilöille välillisistä tai suorista vahingonkorvauksista tai kuluttajalle tai muille henkilöille aiheutuneista menetyksistä tai kuluista tai omaisuudelle aiheutuneesta vahingosta, liikevaihdon menetyksestä, tulonmenetyksestä, liiketoiminnan tai liikearvon menetyksestä, jotka saattavat johtua siitä, ettei jokin tuote toimi kunnolla. Takuuhuoltoa varten hae lähintä valtuutettua huoltoliikettämme kartaltamme etsi lähin jälleenmyyjä -työkalussamme osoitteessa BRIGGSandSTRATTON.COM tai soittamalla numeroon 1300 274 447 tai lähettämällä sähköpostia tai kirjoittamalla osoitteeseen salesenquiries@briggsandstratton.com.au, Briggs & Stratton Australia Pty Ltd, 3 Imperata. Pl, Kemps Creek, NSW, Australia, 2178.

Takuuaika alkaa sinä päivänä, kun ensimmäinen kuluttaja-asiakas tai kaupallinen asiakas ostaa laitteen vähittäismyymälästä. "Kuluttajakäytöllä" tarkoitetaan vähittäisasiakkaan henkilökohtaista kotitalouskäyttöä. "Kaupallisella käytöllä" tarkoitetaan kaikkea muuta käyttöä, kuten käyttöä kaupalliseen toimintaan, tulonhankintaan tai vuokraukseen. Jos tuote on edes kerran ollut kaupallisessa käytössä, sen katsotaan olevan siitä alkaen kaupallisessa käytössä koko takuuajan.

Nopean ja täydellisen takuun kattavuuden varmistamiseksi rekisteröi tuote verkossa osoitteessa [onlineproductregistration.com](http://onlineproductregistration.com).

Säilytä kuitenkin kuitti ostotodistuksena. Jollet pysty osoittamaan laitteen alkuperäistä ostopäivää takuuhuollon ajankohtana, tuotteen valmistuspäivä katsotaan takuuajan alkupäiväksi. Tuotteen rekisteröinti ei ole pakollinen takuuhuollon hankkimiseksi Briggs & Stratton -tuotteille.

## Tietoa takuusta

Takuuhuolto on käytettävissä ainoastaan Snapper® - valtuutettujen huoltoliikkeiden kautta. Tämä takuu kattaa ainoastaan materiaali- ja valmistusviat. Se ei kata vahinkoja, jota johtuvat virheellisestä käytöstä tai väärinkäytöstä, virheellisestä kunnossapidosta tai korjauksesta, tavanomaisesta kulumisesta tai vanhentuneesta tai hyväksymättömästä polttoaineesta.

**Virheellinen käyttö ja väärinkäyttö** – Käyttöohjekirjassa on kuvattu tämän tuotteen asianmukainen ja tarkoitustaan vastaava käyttö. Tuotteen käyttäminen muulla kuin

käyttöohjeessa kuvatulla tavalla tai tuotteen käyttäminen vahingoittumisensa jälkeen eivät kuulu tämän takuun piiriin. Takuu ei ole myöskään voimassa, jos tuotteen sarjanumero on poistettu tai tuotetta on sormeiltu tai muutettu jollakin tavoin tai jos tuotteessa on merkkejä väärinkäytöstä, kuten osumisjälkiä tai veden/kemikaalien aiheuttamia syöpymisvahinkoja.

**Virheellinen huolto tai korjaus** – Tätä tuotetta täytyy huoltaa käyttöohjekirjassa kuvattujen toimenpiteiden ja aikataulujen mukaisesti. Huollossa ja korjauksissa täytyy käyttää aitoja tai vastaavia Briggs & Stratton® -varaosia. Takuu ei kata vahinkoja, jotka johtuvat huollon laiminlyönnistä tai muiden kuin alkuperäisten varaosien käytöstä.

**Normaali kuluminen** - Useimpien mekaanisten laitteiden tavoin hankkimasi kone kuluu jopa silloinkin, kun sitä huolletaan asianmukaisesti. Takuu ei korvaa jonkin osan tai laitteen normaalin kulumisen aiheuttamia korjauksia. Esimerkiksi suodattimien, hihnojen, leikkuuterien ja jarrupalojen (lukuun ottamatta moottorin jarrupaloja, jotka kuuluvat takuun piiriin) kaltaiset huollettavat ja kuluvat osat eivät kuulu takuun piiriin pelkästään kulumisen vuoksi, vaan niissä on oltava materiaali- tai valmistusvika.

**Vanha tai hyväksymätön polttoaine** –Tämän tuotteen kunnollinen toiminta edellyttää tuoretta polttoainetta, joka täyttää käyttöohjekirjassa eriteltyt vaatimukset. Takuu ei kata moottorille tai laitteelle aiheutuneita vahinkoja, jotka johtuvat vanhentuneen tai hyväksymättömän polttoaineen (kuten E15- tai E85-etanolisekoituksen) käytöstä.

**Muut poikkeukset** - Tämä takuu ei koske vahinkoja, jotka johtuvat jostakin onnettomuudesta, väärinkäytöstä, muokkauksista, muutoksista, epäasianmukaisesta huollosta, jääytymisestä tai kemiallisesta heikkenemisestä. Takuu ei myöskään koske lisälaitteita tai -varusteita, joita ei alun perin toimitettu tuotteen mukana. Takuu ei kata laitteita, joita käytetään ensisijaisena virtalähteenä hyötysähkön sijasta, eikä laitteita, joita käytetään elvytystarkoituksiin. Takuu ei koske käytettyjä, uudelleen kunnostettuja, käytettynä hankittuja tai esittelykäytössä olleita laitteita tai moottoreita. Takuu ei kata vikoja, jotka johtuvat luonnonmullistuksista tai muista ylivoimaisista esteistä, joihin valmistaja ei voi vaikuttaa.

80015795 Revision A

# Merci

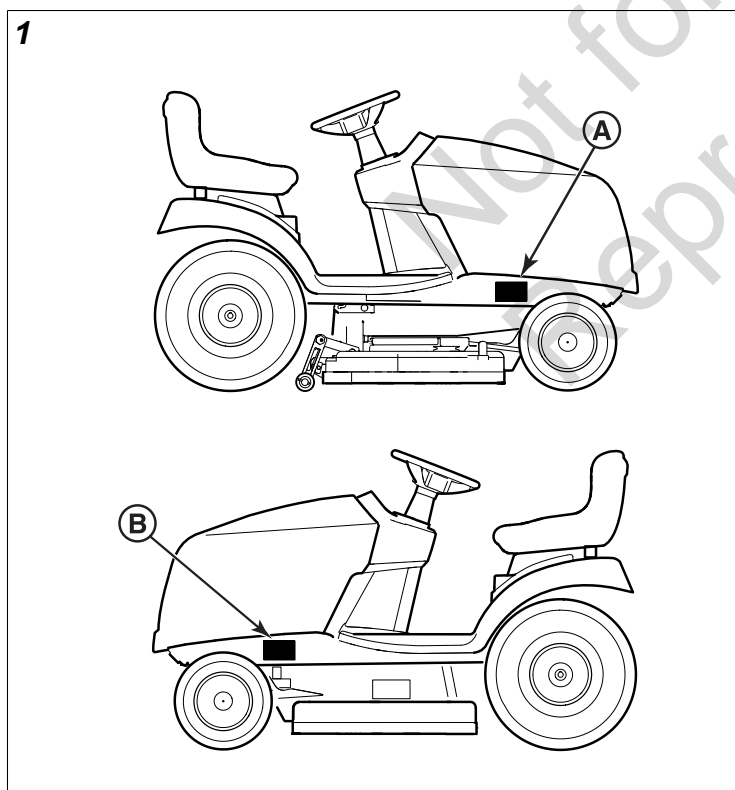
Nous vous remercions d'avoir acheté ce produit Snapper® de qualité. Nous nous réjouissons de la confiance que vous accordez à la marque Snapper®. Si elle est utilisée et entretenue conformément aux instructions de ce manuel, ce produit vous fournira de nombreuses années de service fiable.

Ce Manuel de l'utilisateur contient des informations de sécurité pour que vous preniez connaissance des dangers et des risques associés à l'unité et de la manière de les éviter. Cette machine a été conçue pour être utilisée comme décrit dans le Manuel de l'utilisateur et non à d'autres fins. Il est important de lire et comprendre parfaitement ces instructions avant d'essayer de mettre en marche, utiliser ou réparer ce produit. **Conserver ces instructions d'origine pour les consulter ultérieurement.**

Cet appareil nécessite un assemblage final, qui est décrit dans les instructions de montage. Assurez-vous de suivre les instructions scrupuleusement avant utilisation. Si vous avez besoin d'aide pour le montage, l'utilisation ou l'entretien de la machine, veuillez contacter votre Réparateur agréé ou consulter [snapper.eu](http://snapper.eu).

## Étiquette d'identification

Localisez l'étiquette d'identification du produit (A) comme indiqué sur la figure 1.



Enregistrez vos numéros d'identification de modèle et numéros de série dans l'espace prévu pour un accès facile.

Référence du modèle du produit :	
Numéro de série du produit :	
Modèle de moteur - numéro de type :	

Code moteur/numéro de série :	
Date d'achat :	
Lieu d'achat :	

Lorsque vous contactez votre distributeur agréé pour obtenir des pièces de rechange, des réparations ou toute information, vous DEVEZ disposer de ces numéros.

La Nomenclature des pièces illustrées pour cette machine peut être téléchargée sur le site [snapper.eu](http://snapper.eu). Fournir le modèle et le numéro de série au moment de commander les pièces de rechange.

## Incertitude de la mesure des vibrations

**Incertitude de mesure des vibrations** - les vibrations de la machine ont été enregistrées en faisant appel à des méthodes et des procédures décrites dans les normes internationales correspondantes en vigueur au moment de la fabrication. Les incertitudes relatives à la mesure peuvent donner lieu à une lecture s'écartant jusqu'à 5 % de la valeur annoncée dans la Déclaration de conformité ».

## Garantie

### Déclaration de garantie

#### GARANTIE LIMITÉE

Briggs & Stratton garantit la réparation ou le remplacement gratuit, pendant la période de garantie spécifiée ci-dessous, de toute pièce présentant des défauts matériels ou de fabrication. Les frais de transport du produit à réparer ou remplacer seront, dans le cadre de cette garantie, à la charge de l'acheteur. Cette garantie court sur les périodes énoncées ci-dessous et est assujettie aux conditions énoncées ci-dessous. Pour les réparations couvertes par la garantie, trouvez le réparateur agréé le plus proche de chez vous à l'aide de notre carte Trouver un revendeur en disponible sur [snapper.eu](http://snapper.eu).

L'acheteur doit contacter le réparateur agréé, puis lui confier le produit à des fins d'inspection et de test.

**Il n'existe aucune autre garantie expresse. Les garanties implicites, y compris celles de qualité marchande et d'adéquation à un usage particulier, sont limitées à la période de garantie indiquée ci-dessous, ou dans la mesure permise par la loi. Les responsabilités relatives aux dommages consécutifs ou indirects sont exclues dès lors que cette exclusion est autorisée par la loi.** Certains États ou pays ne permettent pas les limitations de durée de la garantie implicite. Certains États ou pays n'autorisent pas l'exclusion ou la limitation des dommages consécutifs ou indirects. Dans ce cas, l'exclusion et la limitation ci-dessus ne s'appliquent pas à votre cas. La présente garantie vous offre des droits juridiques spécifiques et il se peut que vous ayez d'autres droits qui varient d'une juridiction à une autre, ou d'un pays à l'autre.\*\*

## Période de garantie

Article	Utilisation par le consommateur	Utilisation commerciale
Équipement	36 mois	3 mois
Moteur*	36 mois	12 mois
Batterie (si la machine en est équipée)	12 mois	12 mois

\* S'applique seulement aux moteurs de Briggs & Stratton®. La couverture de garantie des moteurs qui ne sont pas fabriqués par Briggs & Stratton est fournie par ce fabricant du moteur. Les pièces relatives au contrôle des émissions sont garanties par l'énoncé de garantie des émissions.

\*\* En Australie, les conditions suivantes s'appliquent, nonobstant toute autre disposition : Nos produits sont couverts par des garanties qui ne peuvent être exclues en vertu de la loi australienne de protection du consommateur. Vous pouvez obtenir un remplacement ou un remboursement en cas de défaillance majeure ou en compensation de toute perte ou de tout dommage survenus dans le cadre des conditions raisonnablement prévisibles d'utilisation du produit. Vous pouvez également bénéficier de la réparation ou du remplacement des produits si la qualité de ces derniers n'est pas acceptable et si le défaut n'entraîne pas de défaillance majeure. Sauf mention contraire de la loi australienne de protection du consommateur, Snapper® ne saurait être tenu responsable en vertu de la présente garantie envers le client ou toute autre personne en relation avec la présente garantie, au titre de dommages, pertes ou coûts, consécutifs, directs ou indirects, occasionnés ou subis par le client ou toute autre personne, ou au titre d'un dommage causé à un bien, d'une perte de chiffre d'affaires, d'une perte d'activité ou d'une perte de survaleur découlant du défaut de tout produit à fonctionner correctement. Pour les réparations couvertes par la garantie, trouvez le réparateur agréé le plus proche de chez vous au moyen de la carte Trouver un revendeur sur le site BRIGGSandSTRATTON.COM, en composant le 1300 274 447, en envoyant un courriel à salesenquires@briggsandstratton.com.au ou en écrivant à Briggs & Stratton Australia Pty Ltd, 3 Imperata Pl, Kemps Creek, NSW, Australie, 2178.

La garantie commence à la date d'acquisition du produit par le premier consommateur au détail ou commercial. « Utilisation par le consommateur » signifie que le produit sera utilisé par un consommateur au détail dans un but privé. « Utilisation commerciale » indique toutes les autres utilisations possibles, y compris commerciales, génératrices de revenus ou locatives. Dès lors que le produit a été utilisé dans un but commercial, il sera considéré comme un produit à utilisation commerciale dans le cadre de cette garantie.

Pour assurer une couverture rapide et complète de la garantie, enregistrez votre produit en ligne sur [www.onlineproductregistration.com](http://www.onlineproductregistration.com).

Conservez le reçu de votre achat. Si vous ne fournissez pas la preuve de la date d'achat initiale au moment de la demande du service de garantie, la date de fabrication du produit sera retenue pour déterminer la période de garantie.

L'enregistrement du produit n'est pas nécessaire pour bénéficier de la garantie sur les produits Briggs & Stratton.

## Au sujet de votre garantie

La garantie ne peut être appliquée que dans les Snapper® réparateurs agréés. Cette garantie couvre uniquement les vices de matériau ou de fabrication. Cette garantie ne couvre pas les dommages causés par une utilisation impropre ou un abus, un entretien ou des réparations impropres, usure et casse normale ou du carburant éventé ou non approuvé.

**Utilisation inappropriée ou abusive :** l'utilisation prévue et appropriée de ce produit est décrite dans le manuel de l'utilisateur. L'utilisation de la machine de façon autre que celle décrite dans le manuel de l'utilisateur ou son utilisation après qu'elle ait été endommagée ne sera pas couverte par cette garantie. Vous ne pourrez non plus vous prévaloir de la garantie si le numéro de série sur la machine a été supprimé ou si la machine a été modifiée d'une manière quelconque, ou si elle présente des preuves d'abus, telles que des marques de coups, ou de corrosion par l'eau ou par des produits chimiques.

**Mauvais entretien ou réparation -** Ce produit doit être entretenu conformément aux procédures et aux intervalles indiqués dans le manuel de l'utilisateur, et l'entretien et les réparations doivent être effectués avec des pièces d'origine ou équivalentes Briggs & Stratton®. Les dommages causés par un manque d'entretien ou par l'utilisation de pièces n'étant pas d'origine ne sont pas couverts par la garantie.

**Usure normale -** Comme la plupart des appareils mécaniques, malgré un bon entretien, le vôtre est sujet à l'usure. La présente garantie ne couvre pas les réparations lorsque la durée de vie de la machine s'est achevée après une utilisation normale. Les articles d'entretien et d'usure, tels que les filtres, courroies, lames et plaquettes de freins (à l'exception des plaquettes de frein moteur) ne sont pas couverts par la garantie, uniquement en raison de leur caractéristique d'usure, à moins que la cause soit due à des vices de matériau ou de fabrication.

**Carburant éventé ou non approuvé :** afin de fonctionner correctement, ce produit doit être alimenté avec un carburant propre, conforme aux critères précisés dans le manuel de l'utilisateur. Les dommages sur le moteur ou l'équipement causés par du carburant éventé ou l'utilisation de carburants non approuvés (comme les mélanges d'éthanol E15 ou E85) ne sont pas couverts par la garantie.

**Autres exclusions -** La présente garantie exclut les dommages causés par un accident, une utilisation à mauvais escient, des modifications, des changements, un entretien inapproprié, des détériorations dues au gel ou à des produits chimiques. Les fixations et accessoires qui n'ont pas été fournis dans l'emballage du produit sont également exclus. Il n'y a aucune garantie sur le matériel utilisé pour l'alimentation principale à la place de l'alimentation de secteur ni sur le matériel utilisé pour des applications médicales. Cette garantie ne couvre pas les équipements et moteurs usés, rénovés, d'occasion ou de démonstration. Cette garantie ne couvre pas les défaillances provoquées par des catastrophes

naturelles ou autres cas de force majeure hors du contrôle du fabricant.

80015795 Revision A

Not for  
Reproduction

# Grazie

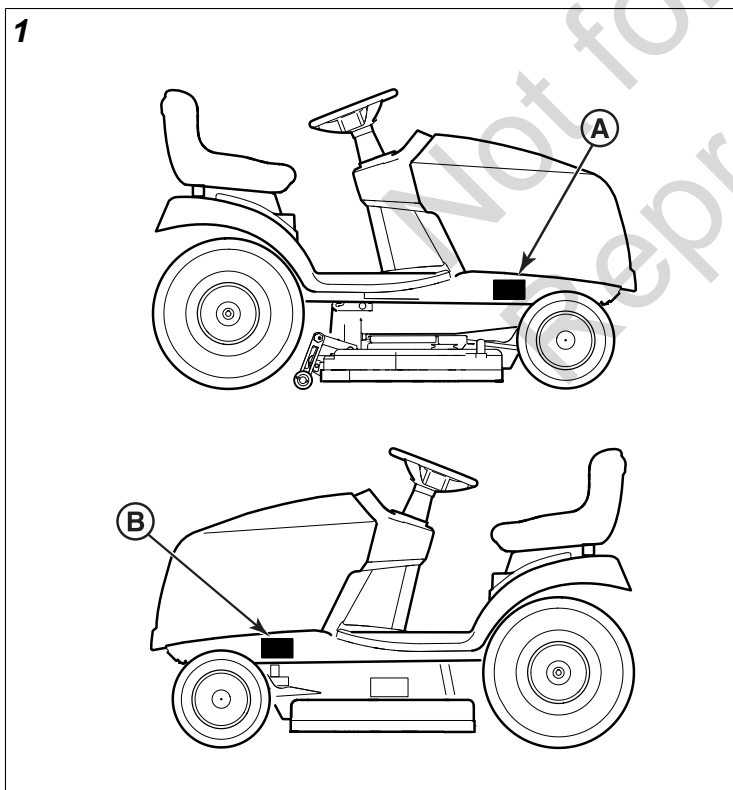
La ringraziamo per avere acquistato questo prodotto Snapper® di alta qualità. Siamo lieti che abbia fiducia nel marchio Snapper®. Se viene utilizzato e mantenuto seguendo le istruzioni del manuale, questo prodotto garantisce un funzionamento ottimale per molti anni.

Il manuale dell'operatore contiene informazioni di sicurezza finalizzate a rendere l'utente consapevole dei pericoli e dei rischi associati a questa unità, e sul modo di evitarli. Questo prodotto è stato progettato per essere utilizzato come descritto nel Manuale dell'operatore e non è destinato ad alcun altro scopo. È importante leggere e comprendere completamente le istruzioni riportate nel manuale prima di cercare di avviare, utilizzare o fornire assistenza al prodotto. **Conservare l'originale delle presenti istruzioni per potervi fare riferimento in futuro.**

Questo prodotto richiede un montaggio finale, descritto nelle istruzioni per l'installazione. Seguire completamente tali istruzioni prima dell'uso. Qualora sia necessaria assistenza per il montaggio, l'utilizzo o la manutenzione dell'unità, contattare l'Officina autorizzata più vicina, o visitare il sito [snapper.eu](http://snapper.eu).

## Targhetta di identificazione

Individuare la targhetta di identificazione del prodotto (A) come mostrato nella Figura 1.



Registrare i numeri di identificazione e i numeri di serie del modello negli appositi spazi per averli facilmente disponibili.

Numero modello del prodotto:	
Numero di serie prodotto:	
Modello motore - Codice tipo:	

Codice/Numero di serie del motore:	
Data dell'acquisto:	
Sede dell'acquisto:	

Quando ci si mette in contatto con il concessionario autorizzato locale per ordinare pezzi di ricambio, per richiedere interventi o per ottenere informazioni si DEVONO avere a disposizione questi numeri.

Il Catalogo ricambi illustrato relativo a questa macchina può essere scaricato da [snapper.eu](http://snapper.eu). Quando si ordinano pezzi di ricambio fornire modello e numero di serie.

## Incertezza di misurazione della vibrazione

**Incertezza di misurazione della vibrazione** – la vibrazione della macchina è stata registrata usando metodi e procedure descritti negli standard internazionali relativi in vigore al momento della produzione. Le incertezze di misurazione possono dare come risultato una varianza fino al 5% dal valore pubblicato presente nella Dichiarazione di conformità.

## Garanzia

### Dichiarazione di garanzia

#### GARANZIA LIMITATA

Briggs & Stratton garantisce che, durante il periodo di garanzia specificato di seguito, provvederà alla riparazione o alla sostituzione gratuita di parti che presentino difetti di materiale o di lavorazione o entrambi. Le spese di trasporto del prodotto di cui si richiede la sostituzione o riparazione in garanzia sono a carico dell'acquirente. La presente garanzia risulta valida per il periodo di tempo indicato nel presente documento ed è soggetta alle condizioni indicate di seguito. Per l'assistenza in garanzia, è possibile individuare l'Officina autorizzata più vicina tramite la nostra mappa Trova officina all'indirizzo [snapper.eu](http://snapper.eu).

L'acquirente dovrà contattare l'Officina autorizzata e mettere a disposizione di quest'ultima il prodotto per l'ispezione e la verifica.

**Non vi è alcun'altra garanzia esplicita. Le garanzie implicite, comprese quelle di commerciabilità e idoneità ad uno scopo particolare, sono limitate al periodo di garanzia indicato di seguito o a quanto consentito dalla legge. Le responsabilità per danni incidentali o indiretti sono escluse nella misura consentita dalla legge.** Alcuni stati o paesi non permettono limitazioni al periodo di validità di una garanzia implicita e alcuni stati o paesi non permettono l'esclusione o la limitazione della responsabilità per danni incidentali o indiretti, per cui le limitazioni sopra riportate potrebbero non applicarsi al vostro caso. Questa garanzia dà all'utente specifici diritti legali e lo stesso potrebbe avere altri diritti che variano da stato a stato o da paese a paese.\*\*



## Periodo di garanzia

Articolo	Uso privato	Uso commerciale
Apparecchio	36 mesi	3 mesi
Motore*	36 mesi	12 mesi
Batteria (se in dotazione)	12 mesi	12 mesi

\* Si applica solo ai motori Briggs & Stratton®. La garanzia di motori non prodotti da Briggs & Stratton è fornita dal rispettivo costruttore. I componenti relativi alle emissioni sono coperti dalla dichiarazione di garanzia sulle emissioni.

\*\* Fatte salve eventuali altre disposizioni, in Australia si applica quanto segue: I nostri prodotti vengono forniti con garanzie che non possono essere escluse ai sensi alla Legge australiana per la tutela dei consumatori. L'utente ha diritto alla sostituzione o al rimborso in caso di guasto grave e a un indennizzo per ogni altra perdita o danno ragionevolmente prevedibile. L'utente ha pertanto diritto alla riparazione o alla sostituzione della merce qualora questa non sia di qualità accettabile e il guasto non sia equiparabile a un guasto grave. Salvo laddove richiesto dalla Legge australiana per la tutela dei consumatori, Snapper® non sarà responsabile, ai sensi della presente Garanzia, nei confronti del Cliente o di qualsiasi altra persona in relazione alla presente Garanzia, per danni consequenziali, diretti o indiretti, perdite o costi sostenuti o subiti dal Cliente o da qualsiasi altra persona; o per qualsiasi danno alla proprietà, perdita di fatturato, perdita di profitti, perdita di affari o perdita di avviamento, derivanti dall'eventuale malfunzionamento di qualsiasi prodotto. Per l'assistenza in garanzia: visualizzare la nostra mappa Trova officina su BRIGGSandSTRATTON.COM per contattare l'Officina autorizzata più vicina; chiamare il numero 1300 274 447; inviare un'e-mail a salesenquiries@briggsandstratton.com.au; oppure, scrivere a Briggs & Stratton Australia Pty Ltd, 3 Imperata Pl, Kemps Creek, NSW, Australia, 2178.

Il periodo di garanzia decorre dalla data di acquisto del primo acquirente, sia esso un utente consumatore o professionale. Per "uso privato" si intende l'utilizzo effettuato da un acquirente al dettaglio presso la propria residenza. Per "uso commerciale" si intendono tutti gli altri usi, compresi gli usi commerciali, che generano reddito o il noleggio. Se il prodotto viene utilizzato a fini commerciali, ai fini della presente garanzia sarà quindi considerato come soggetto ad uso professionale.

Per assicurare l'applicazione immediata e totale della garanzia, è necessario registrare il proprio prodotto visitando il sito [www.onlineproductregistration.com](http://www.onlineproductregistration.com).

Conservare lo scontrino di ricevuta dell'acquisto. Qualora l'acquirente non sia in grado di fornire la prova della data dell'acquisto iniziale nel momento della richiesta di assistenza, il periodo di garanzia verrà determinato utilizzando la data di produzione. Ai fini dell'applicazione della garanzia, non è necessaria la registrazione del prodotto Briggs & Stratton.

## Informazioni sulla garanzia

Gli interventi di assistenza in garanzia sono disponibili solo presso i Snapper® Rivenditori di assistenza autorizzati. Questa garanzia si applica solo in caso di difetti di materiali o di lavorazione. Non copre i danni provocati da uso improprio o abuso, manutenzione o riparazioni non corrette, normale usura, o carburante stantio o non approvato.

**Utilizzo improprio o abuso** – L'uso previsto per questo prodotto è quello descritto nel manuale dell'operatore. L'uso del prodotto in un modo diverso da quanto descritto nel Manuale per l'operatore, o l'uso del prodotto danneggiato, invalida la garanzia. La garanzia non è consentita se il numero di serie del prodotto è stato rimosso o se il prodotto è stato alterato o modificato in qualche modo o se il prodotto presenta prove di abuso quali danni da impatti o danni da corrosione per acqua/sostanze chimiche.

**Manutenzione o riparazioni non corrette** – Questo prodotto deve ricevere la manutenzione prevista secondo le procedure e i programmi contenuti nel Manuale dell'operatore; l'assistenza e le riparazioni devono essere eseguite usando componenti Briggs & Stratton® o equivalenti. I danni causati da mancata manutenzione o dall'uso di parti non originali non sono coperti dalla garanzia.

**Normale usura** – Come la maggior parte degli apparecchi meccanici, l'unità è soggetta a usura, anche a fronte di una corretta manutenzione. La presente garanzia non copre la riparazione nel caso in cui il prodotto o la parte siano giunti al termine della loro durata di uso normale. Gli articoli usati per la manutenzione e soggetti ad usura quali filtri, cinghie, lame di taglio e pastiglie per freni (le pastiglie per del freno del motore sono coperte) non sono coperti da garanzia per le sole caratteristiche di usura, a meno che la causa sia dovuta a difetti di materiali o lavorazione.

**Carburante scaduto o non approvato** – Per un corretto funzionamento, questo prodotto ha bisogno di carburante pulito che sia conforme ai criteri specificati nel Manuale dell'operatore. Eventuali danni al motore o all'apparecchiatura causati dall'uso di carburanti non approvati (ad esempio, miscele di etanolo E15 o E85) non sono coperti dalla garanzia.

**Altre esclusioni** – Questa garanzia esclude danni dovuti a incidenti, abuso, modifiche, alterazioni, manutenzione non corretta, congelamento o deterioramento chimico. Sono anche esclusi pezzi aggiuntivi e accessori non inclusi nella confezione originale del prodotto. Non viene fornita alcuna garanzia per le apparecchiature usate per l'alimentazione primaria al posto del servizio pubblico o per apparecchiature usate in applicazioni salvavita. La presente garanzia non copre apparecchiature o motori usati, revisionati, di seconda mano o usati per dimostrazioni. Questa garanzia esclude guasti dovuti ad atti di Dio e altri eventi di forza maggiore al di là del controllo del produttore.

80015795 Revision A

# Hartelijk dank

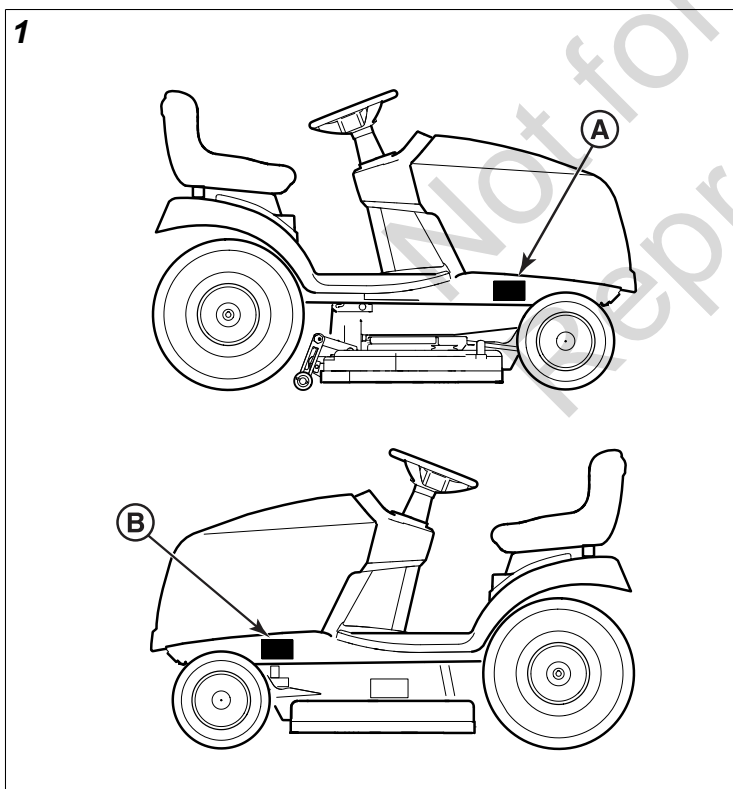
Hartelijk dank voor de aankoop van dit hoogwaardige Snapper® product. Wij zijn blij dat u vertrouwen hebt in het Snapper®-merk. Bij bediening en onderhoud volgens de handleidingen, biedt dit product jarenlange betrouwbare dienst.

De gebruikershandleiding bevat veiligheidsinformatie om u bewust te maken van de gevaren en risico's in verband met het product en hoe u deze kunt vermijden. Dit product is ontworpen om gebruikt te worden zoals beschreven wordt in de gebruikershandleiding en is niet bedoeld voor enig ander doel. Het is belangrijk dat u deze instructies leest en begrijpt voordat u het product probeert te starten, te bedienen of te onderhouden. **Bewaar deze originele instructies voor toekomstig gebruik.**

Bij dit product moet nog een eindmontage worden uitgevoerd, die wordt beschreven in de installatie-instructies. Voer de complete instructies uit voordat u het product gebruikt. Als u hulp nodig heeft bij het monteren, bedienen, of onderhouden van het product, neem dan contact op met uw lokale erkende servicedealer of ga naar [snapper.eu](http://snapper.eu).

## Identificatieplaatje

Zoek het productidentificatieplaatje (A) zoals weergegeven in Afbeelding 1.



Noteer uw modelidentificatienummers en serienummers in de daarvoor bestemde ruimte zodat u ze altijd bij de hand hebt.

Modelnummer product:	
Serienummer product:	
Motormodel - typenummer:	

Code/serienummer van de motor:	
Aankoopdatum:	
Aankooplocatie:	

Wanneer u contact opneemt met uw erkende dealer voor reserveonderdelen, herstellingen of informatie, MOET u over deze nummers beschikken.

De geïllustreerde onderdelenlijst voor deze machine kunt u downloaden op [snapper.eu](http://snapper.eu). Geef het model en serienummer aan als u vervangende onderdelen bestelt.

## Onzekerheid trillingsmeter

**Betrouwbaarheid trillingsmeting** – de trilling van de machine is gemeten met de methodes en procedures die worden beschreven in de Internationale Standaarden die ten tijde van de fabricage van kracht waren. De betrouwbaarheid van deze meting mag tot 5% afwijken van de gepubliceerde waarde die wordt genoemd in de Verklaring van overeenstemming.

## Garantie

### Garantieverklaring BEPERKTE GARANTIE

Briggs & Stratton garandeert dat het, gedurende de hieronder vermelde garantieperiode, elk onderdeel dat gebrekking is in materiaal of vakmanschap of beide, kosteloos repareert of vervangt. Transportkosten voor producten die onder deze garantie voor reparatie of vervanging worden aangeboden, zijn voor rekening van de koper. Deze garantie is geldig voor- en onderhavig aan de onderstaande periodes en voorwaarden. Voor garanteservice zoekt u de dichtstbijzijnde erkende servicedealer op onze dealerlocatiekaart op [snapper.eu](http://snapper.eu).

De koper moet contact opnemen met de erkende servicedealer en het product beschikbaar stellen aan de erkende servicedealer voor inspectie en testen.

**Er is geen andere uitdrukkelijke garantie. Impliciete garanties, inclusief voor verkoopbaarheid en geschiktheid voor een bepaald doel, zijn beperkt tot de hieronder gespecificeerde garantieperiode of in de wettelijke toegestane periode. Aansprakelijkheid voor incidentele of gevolgschade wordt uitgesloten voor zover dit wettelijk toegestaan is.** Sommige staten of landen staan geen beperkingen toe over de periode waarin een impliciete garantie geldig is, en sommige staten of landen staan geen uitsluiting of beperking van incidentele of gevolgschade toe, zodat de bovenstaande beperkingen en uitsluitingen mogelijk niet op u van toepassing zijn. Deze garantie geeft u specifieke wettelijke rechten en u kunt ook andere rechten hebben die van staat tot staat of van land tot land verschillen.\*\*

## Garantietermijn

Artikel	Voor particuliere doeleinden	Voor commerciële doeleinden
Apparatuur	36 maanden	3 maanden
Motor*	36 maanden	12 maanden
Batterij (indien aanwezig)	12 maanden	12 maanden

\* Geldt alleen voor Briggs & Stratton®-motoren. Garantiedekking van niet-Briggs & Stratton-motoren wordt geleverd door die motorfabrikant. Emissiegerelateerde componenten vallen onder de garantieverklaring voor emissies.

\*\* In Australië is het volgende van toepassing, niettegenstaande enige andere bepaling: onze goederen worden geleverd met garanties die niet kunnen worden uitgesloten volgens de Australische consumentenwetgeving. U hebt recht op vervanging of terugbetaling voor een zware fout en vergoeding van enige andere redelijkerwijs te verwachten vorm van verlies of schade. U hebt ook het recht om de goederen te laten repareren of vervangen als de goederen niet van een acceptabele kwaliteit zijn en de storing niet tot een ernstige fout leidt. Tenzij vereist onder de Australische consumentenwetgeving, is Snapper® niet aansprakelijk onder deze garantie jegens de klant of enige andere persoon in verband met deze garantie, voor gevolgschade, directe of indirecte schade, verlies of kosten die zijn gemaakt of geleden door de klant of een andere persoon; of enige schade aan eigendommen, omzetsderving, winstderving, verlies van zaken of verlies van goodwill als gevolg van het niet goed functioneren van een product. Voor garantieservice kunt u de dichtstbijzijnde erkende servicedealer vinden op onze dealerlocatiekaart op BRIGGSandSTRATTON.COM, of door te bellen naar 1300 274 447, of door te e-mailen of te schrijven naar salesenquiries@briggsandstratton.com.au, Briggs & Stratton Australia Pty Ltd, 3 Imperata Pl, Kemp Creek, NSW, Australië, 2178.

De garantieperiode begint op de datum van aankoop door de eerste retail- of commerciële consument. "Voor particuliere doeleinden" betekent persoonlijk, huishoudelijk gebruik door een particuliere consument. "Voor commerciële doeleinden" betekent elk ander gebruik, inclusief gebruik voor commerciële, inkomensvormende of verhuurdoeleinden. Zodra een product voor commerciële doeleinden gebruikt is, zal het daarna voor de doeleinden van deze garantie worden beschouwd als een commercieel gebruiksproduct.

Voor directe en volledige garantiedekking wordt u verzocht uw product te registreren op [www.onlineproductregistration.com](http://www.onlineproductregistration.com).

Bewaar uw kwitantie als aankoopbewijs. Als u geen bewijs van de oorspronkelijke aankoopdatum verstrekt op het moment dat u een beroep op de garantieservice doet, wordt de productiedatum van het product gebruikt om de garantieperiode te bepalen. Productregistratie is niet vereist om garantieservice voor Briggs & Stratton-producten te verkrijgen.

## Over uw garantie

Snapper® Garantieservice is enkel beschikbaar via erkende servicedealers. Deze garantie geldt alleen voor materiaal- of fabricagefouten. Het dekt geen schade veroorzaakt door oneigenlijk gebruik of misbruik, verkeerd onderhoud of reparatie, normale slijtage, of oude of niet-goedgekeurde brandstof.

**Verkeerd gebruik en misbruik** - Het juiste, doelmatige gebruik van dit product wordt beschreven in de gebruikershandleiding. Als u het product gebruikt op een manier die niet is beschreven in de gebruikershandleiding of als u het product gebruikt nadat het is beschadigd, vervalt uw garantie. Garantiedekking zal ook niet worden verstrekt als het serienummer op het product is verwijderd of als het product op enigerlei wijze is gewijzigd of gewijzigd, of als het product bewijs van misbruik vertoont, zoals stootschade of water/chemische corrosieschade.

**Verkeerd onderhoud of reparatie** - Dit product moet worden onderhouden volgens de procedures en schema's in de gebruikershandleiding en voor service- en reparatiewerkzaamheden moeten originele Briggs & Stratton®-onderdelen of een equivalent daarvan worden gebruikt. Schade veroorzaakt door gebrek aan onderhoud of gebruik van niet-originele onderdelen valt niet onder de garantie.

**Normale slijtage** - Net als de meeste mechanische apparaten is ook uw apparaat onderhevig aan slijtage, zelfs als het goed wordt onderhouden. Deze garantie dekt geen reparaties wanneer normaal gebruik de levensduur van een onderdeel of de apparatuur heeft uitgeput. Onderhouds- en slijtageartikelen zoals filters, riemen, snijmessen en remblokken (met uitzondering van motorremblokken) vallen niet onder de garantie vanwege de slijtage-eigenschappen alleen, tenzij de oorzaak het gevolg is van defecten in materiaal of vakmanschap.

**Verschaalde of niet-goedgekeurde brandstof** - Om goed te kunnen functioneren heeft dit product brandstof nodig die voldoet aan de specificaties in de gebruikershandleiding. Motor- of apparatuurschade door verschaalde brandstof of het gebruik van niet-goedgekeurde brandstof (zoals E15 of E85 ethanolmengsels) valt niet onder de garantie.

**Andere uitsluitingen** - Deze garantie is exclusief schade als gevolg van een ongeluk, misbruik, modificaties, wijzigingen, onjuist onderhoud, bevriezing of chemische aantasting. Hulpstukken of accessoires die oorspronkelijk niet met het product waren verpakt, zijn ook uitgesloten. Er is geen garantiedekking op machines die worden gebruikt voor primair vermogen in plaats van utilitair vermogen en niet op machines die worden gebruikt voor levensondersteunende toepassingen. Deze garantie geldt niet voor gebruikte, gerenoveerde, tweedehandse of voor demonstratiedoeleinden gebruikte apparatuur of motoren. Deze garantie sluit ook storingen uit als gevolg van overmacht en andere situaties buiten de macht van de fabrikant.

80015795 Revision A

# Takk

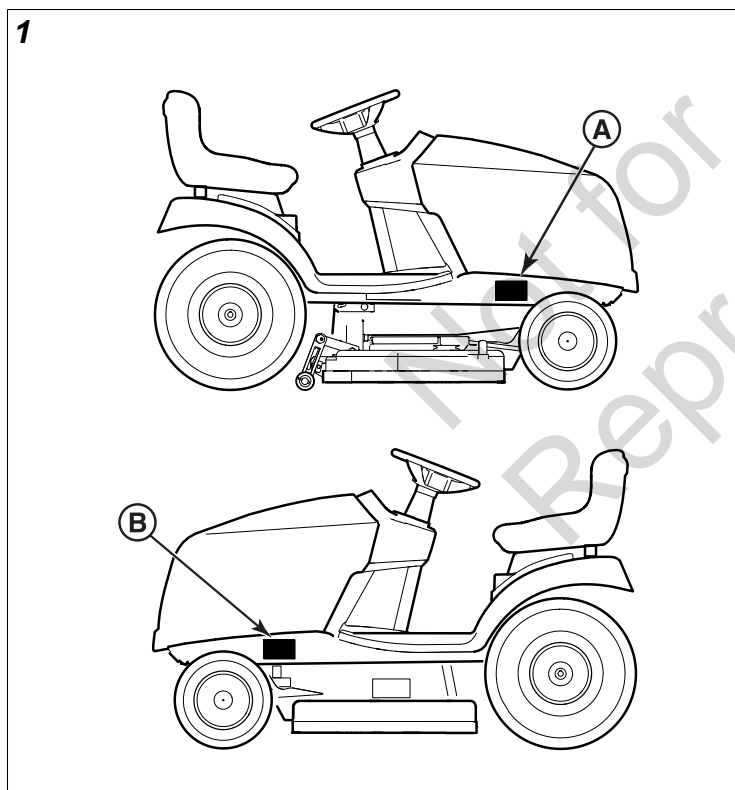
Takk for at du kjøpte dette Snapper® kvalitetsproduktet. Vi er glade for at du har tiltro til Snapper®-merket. Når drives og vedlikeholdes i henhold til håndbøkene, vil dette produktet gi mange år med pålitelig service.

Bruksanvisningen inneholder sikkerhetsinformasjon som gjør deg oppmerksom på farer og risikoområder forbundet med enheten og hvordan du kan unngå dem. Dette produktet er utformet for å brukes som beskrevet i bruksanvisningen og er ikke beregnet for noe annet formål. Det er viktig at du leser og grundig forstår instruksjonene i manualen før du forsøker å starte, bruke eller vedlikeholde produktet. **Ta vare på disse instruksjonene for fremtidig referanse.**

Dette produktet krever sluttmontering, slik det er beskrevet i Installeringsveiledningen. Sørg for å følge veiledningen fullstendig før bruk. Hvis du trenger hjelp med montering, drift eller vedlikehold av produktet, kontakt din lokale autoriserte serviceforhandler eller besøk [snapper.eu](http://snapper.eu).

## Identifikasjonsetikett

Lokaliser produktidentifikasjonsmerket (A) som vist i figur 1.



For lett tilgang skriv inn modellens identifikasjonsnumre og serienumre på plassen for dette.

Produktets modellnummer:	
Produktets serienummer:	
Motormodell - typenummer:	
Motorkode/serienummer:	
Kjøpsdato:	
Salgssted:	

Hvis du kontakter en autorisert forhandler ang. reservedeler, service eller informasjon, MÅ du ha disse numrene klare.

Du kan laste ned en illustrert deleliste for denne maskinen på [snapper.eu](http://snapper.eu). Vennligst oppgi modell og serienummer ved bestilling av reservedeler.

## Vibrasjonsmålingsusikkerhet

**Vibrasjonsmålingsusikkerhet** – maskinvibrasjon ble målt med metoder og prosedyrer som presisert i de relevante internasjonale standardene og som gjaldt på produksjonstidspunktet. Usikkerhetene på grunn av måling kan føre til et avvik på inntil 5 % i forhold til den publiserte verdien som vises i samsvarserklæringen.

## Garanti

### Garantierklæring

#### BEGRENSET GARANTI

Briggs & Stratton garanterer at i løpet av garantiperioden slik som angitt nedenfor, vil foretaket sørge for å gratis reparere eller skifte ut alle deler som er defekt pga. svikt i materiale, evt. utførelse eller begge deler. Transportkostnader for et produkt som sendes inn for reparasjon eller utskifting av deler som faller inn under denne garantien, må dekkes av kjøperen. Denne garantien er kun gyldig for og er underlagt den tidsperioden og de vilkårene som er nevnt nedenfor. For service under garantien, finn din nærmeste autoriserte serviceforhandler på forhandlersøk-kartet på [snapper.eu](http://snapper.eu).

Kjøperen må kontakte autorisert serviceforhandler og deretter gjøre produktet tilgjengelig for den autoriserte forhandleren for inspeksjon og testing.

**Det finnes ingen andre uttrykkelige garantier. Underforståtte garantier, inkludert dem som gjelder salgbarhet og egnethet for et bestemt formål er begrenset til garantitiden oppgitt nedenfor, eller til det som loven tillater. Ansvar for tilfeldige skader eller følgeskader er utelukket i den grad utelukkelse er tillatt ved lov.** Noen stater eller land tillater ikke begrensninger på hvor lang tid en underforstått garanti gjelder og noen stater eller land tillater ikke utelukkelse eller begrensning av tilfeldige skader eller følgeskader, og dermed er det ikke sikkert at begrensningen eller utelukkelsen ovenfor gjelder for deg. Denne garantien gir deg spesifikke juridiske rettigheter, og det er i tillegg mulig at du har ytterligere rettigheter som vil kunne variere fra delstat til delstat eller land til land.\*\*

## Garantiperiode

Artikkel	Hjemmebruk	Profesjonelt bruk
Utstyr	36 måneder	3 måneder
Motor*	36 måneder	12 måneder
Batteri (hvis utstyrt med slikt)	12 måneder	12 måneder

\* Gjelder kun motorer fra Briggs & Stratton®. Garantidekning av motorer som ikke kommer fra Briggs & Stratton er noe

den enkelte motorprodusenten sørger for. Utslipps-relaterte komponenter er omfattet av utslipps-garantierklæringen.

\*\* I Australia gjelder følgende, uansett enhver annen bestemmelse: Våre varer kommer med garantier som ikke kan utelukkes i henhold den australske forbrukerloven. Du har krav på en utskiftning eller refusjon for større svikt og kompensasjon for ethvert annet rimelig forutsigbart tap eller skade. Du har også rett til å få varene reparert eller skiftet ut dersom varene viser seg å ikke være av akseptabel kvalitet og svikten ikke er en stor svikt. Med mindre det kreves i henhold til den australske forbrukerloven, Snapper® skal vi ikke være ansvarlige under denne garantien overfor kunden eller noen som helst annen person i forbindelse med denne garantien, for følgeskade, direkte eller indirekte skader, tap eller kostnader pådratt eller lidd av kunden eller noen som helst annen person; eller noen som helst skade på eiendom, tap av omsetning, tap av fortjeneste, tap av forretning eller tap av goodwill som oppstår fra at noe som helst produkt ikke fungerer riktig. For service under garantien, finn nærmeste autoriserte serviceforhandler på forhandlersøk-kartet på BRIGGSandSTRATTON.COM, eller ved å ringe 1300 274 447, eller ved å sende e-post eller skrive til salesenquiries@briggsandstratton.com.au, Briggs & Stratton Australia Pty Ltd, 3 Imperata Pl, Kemps Creek, NSW, Australia, 2178.

Garantiperioden begynner å løpe på kjøpsdatoen den første detaljhandels- eller kommersielle forbrukeren anskaffet seg produktet. "Hjemmebruk" betyr privat bruk hjemme av en forbruker. "Forretningsmessig bruk" betyr all annen bruk, inkludert bruk for kommersielt, forretningsmessig eller utleieformål. Så snart et produkt er blitt brukt i kommersiell sammenheng, skal det deretter med henblikk på denne garantien bli betraktet som et kommersielt produkt.

For å sikre rask og komplett garantidekning, kan du registrere produktet ditt på nettet på [www.onlineproductregistration.com](http://www.onlineproductregistration.com)

Ta vare på kvitteringen som bevis på kjøp. Hvis du ikke skaffer til veie bevis på den opprinnelige kjøpsdatoen på det tidspunktet du gjør garantien gjeldende, vil produksjonsdatoen på produktet brukes til å fastsette garantiperioden. Produktregistrering er ikke nødvendig for å gjøre garantien gjeldende for Briggs & Stratton-produkter.

## Om din garanti

Garantiservice er bare tilgjengelig gjennom Snapper® autoriserte serviceforhandlere. Denne garantien dekker kun defekter knyttet til materialer eller utførelse. Den dekker ikke skader forårsaket av feil bruk eller misbruk, feil vedlikehold eller reparasjoner, normal slitasje eller gammelt eller ikke-godkjent drivstoff.

**Uegnet bruk og misbruk** – den riktige, tilsiktede bruken av dette produktet er beskrevet i bruksanvisningen. Hvis produktet brukes på en måte som ikke er beskrevet i bruksanvisningen eller ved bruk av produktet etter at det har blitt skadet, vil ikke dette kunne dekkes av denne garantien. Garantidekningen vil heller ikke gjelde hvis serienummeret på produktet er blitt fjernet eller hvis produktet er endret eller modifisert på noen måte, eller dersom det på produktet

er bevis på misbruk, slik som støtskader eller vannskader/kjemiske korrosjonsskader.

**Feil vedlikehold eller reparasjon**- Dette produktet må vedlikeholdes i henhold til de prosedyrene og planene som er gitt i bruksanvisningen, og betjenes eller repareres ved hjelp av originaldeler fra Briggs & Stratton eller tilsvarende deler. Skader forårsaket av mangel på vedlikehold eller bruk av ikke-originale deler er ikke dekket av garantien.

**Normal slitasje** – Som de fleste mekaniske enheter, utsettes denne enheten for slitasje, selv når den blir riktig vedlikeholdt. Denne garantien dekker ikke reparasjoner når en del eller utstyret er slitt ut pga. normal bruk. Vedlikeholds- og slitasjeelementer som f.eks. filtre, reimer, knivblad og bremseklosser (unntatt motor-bremseklosser) er ikke dekket av garantien på grunn av slitasjeegenskaper alene, med mindre årsaken skyldes material- eller produksjonsfeil.

**Gammelt eller ikke godkjent drivstoff** – produktet trenger friskt drivstoff i henhold til kriteriene angitt i bruksanvisningen for å fungere riktig. Skade på motor eller utstyr forårsaket av gammelt drivstoff eller bruk av ikke-godkjent drivstoff (slik som E15- eller E85-etanolblandinger) dekkes ikke av garantien.

**Andre utelukkelse** – Denne garantien ekskluderer skade som følge av uhell, misbruk, modifikasjoner, endringer, feil service, frost eller kjemisk nedbryting. Fester eller tilbehør som ikke opprinnelig er pakket sammen med produktet er også unntatt. Det er ingen garantidekning som gjelder for utstyr som brukes til primær kraft som erstatning for strømforsyning eller på utstyr som brukes til livsoppretholdende utstyr. Denne garantien omfatter ikke brukt utstyr, overhalt utstyr, andrehåndsutstyr, evt. demonstrasjonsutstyr eller -motorer. Denne garantien utelukker også feil på grunn av naturkatastrofer og andre force majeure-hendelser utenfor produsentens kontroll.

80015795 Revision A

# Obrigado

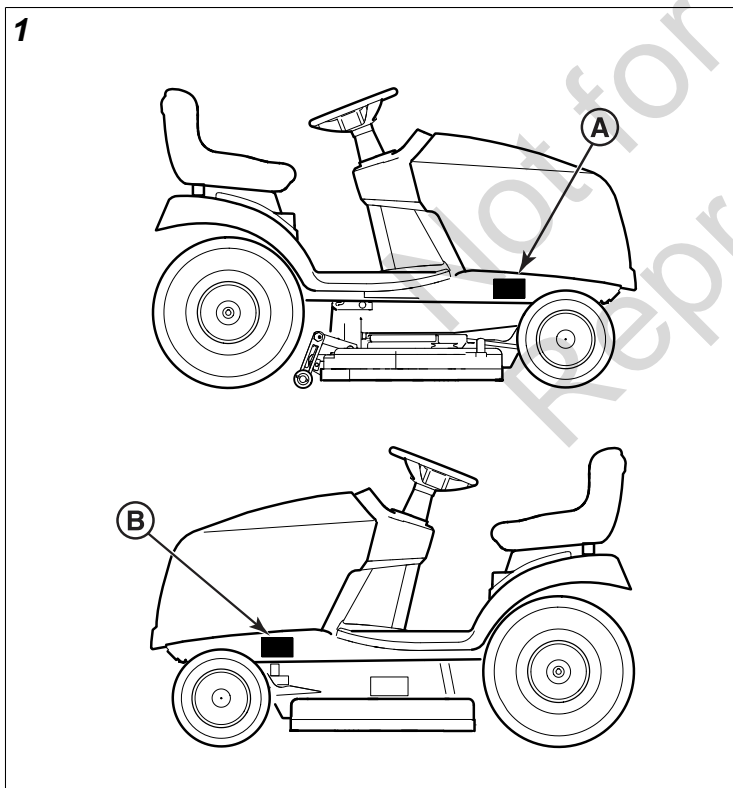
Obrigado por adquirir este produto Snapper® de qualidade. Temos muito gosto em que tenha confiança na marca Snapper®. Quando operado e mantido de acordo com os manuais, o seu produto irá fornecer-lhe muitos anos de serviço com o qual pode contar.

O Manual do operador contém informações de segurança para o informar dos perigos e riscos associados à unidade e de como evitá-los. Este produto foi concebido para ser usado conforme descrito no manual do operador e não se destina a qualquer outro efeito. É importante que leia e compreenda bem as instruções no manual antes de tentar ligar, operar ou fazer a assistência ao produto. **Guarde estas instruções originais para consulta futura.**

Este produto precisa de uma montagem final, que se encontra descrita nas instruções de configuração. Assegure-se de que segue as instruções completamente antes de usar. Se necessitar de assistência com a montagem, operação ou manutenção deste produto, contacte o seu Revendedor de serviços autorizado ou visite [snapper.eu](http://snapper.eu).

## Etiqueta de Identificação

Localize a etiqueta de identificação do produto (A) como mostrado na Figura 1.



Registe os números de identificação do seu modelo e os números de série no espaço fornecido para facilitar o acesso.

Número de Modelo do Produto:	
Número de Série do Produto:	
Modelo do motor - Número do tipo:	
Código/Número de Série do Motor:	

Data de Compra:	
Local de Compra:	

Quando contactar o seu Concessionário Autorizado sobre peças de substituição, manutenção, ou informação PRECISA de ter esses números.

A Lista de Peças Ilustrada para esta máquina pode ser transferida a partir de [snapper.eu](http://snapper.eu). Forneça o modelo e número de série quando encomendar peças de substituição.

## Incerteza de Medição de Vibração

**Incerteza da medição de vibrações** – a vibração da máquina foi registada usando métodos e procedimentos descritos nas Normas Internacionais adequadas em vigor no momento do fabrico. As incertezas devidas à medição podem resultar numa variação de até 5 % em relação ao valor publicado apresentado na Declaração de Conformidade.

## Garantia

### Declaração de Garantia

#### GARANTIA LIMITADA

A Briggs & Stratton garante que, durante o período de garantia especificado em baixo, irá reparar ou substituir, gratuitamente, qualquer peça defeituosa em materiais relacionados com o produto e/ou mão-de-obra. Os encargos com o transporte do produto submetido para reparação ou substituição, ao abrigo desta garantia, devem ser suportados pelo comprador. Esta garantia é efetiva e está sujeita aos períodos de tempo e às condições abaixo referidas. Para aceder ao serviço de garantia, contacte o revendedor de serviços autorizado mais próximo indicado no nosso mapa de localizador de revendedor em [snapper.eu](http://snapper.eu).

O comprador deve contactar o revendedor de serviços autorizado, e então disponibilizar o produto para o revendedor de serviços autorizado fazer a inspeção e testes.

**Não existe qualquer outra garantia expressa. Garantias implícitas, incluindo as referentes à comercialização e adequação a um objetivo em particular, estão limitadas ao período de garantia listado em baixo, ou ao que é permitido por lei. Exclui-se a responsabilidade por danos incidentais ou consequenciais de acordo com o permitido por lei.** Alguns estados ou países não permitem limitações quanto à duração de uma garantia implícita e alguns estados e países não permitem a exclusão ou limitação de danos incidentais ou consequenciais, por isso a limitação e exclusão acima podem não se aplicar ao seu caso. Esta garantia concede-lhe direitos legais específicos e pode igualmente ter outros direitos que variam de estado para estado ou de país para país.\*\*

## Período de Garantia

Item	Uso privado	Uso comercial
Equipamento	36 meses	3 Meses



Item	Uso privado	Uso comercial
Motor*	36 meses	12 Meses
Bateria (caso equipada)	12 Meses	12 Meses

\* Só se aplica a motores Briggs & Stratton®. A cobertura da garantia de motores que não são da Briggs & Stratton é fornecida por esse fabricante do motor. Os componentes relacionados com as emissões estão cobertos pela Declaração de Garantia de Emissões.

\*\* Na Austrália, não obstante qualquer outra disposição, aplica-se o seguinte: Os nossos produtos possuem garantias que não podem ser excluídas ao abrigo da lei australiana relativa aos direitos do consumidor. Tem direito a uma substituição ou reembolso por falha grave e a uma compensação por qualquer outra perda ou dano razoavelmente previsível. Também tem direito a ter os bens reparados ou substituídos se os bens não forem de qualidade aceitável e a falha não equivaler a uma falha grave. A menos que seja exigido pela Lei do Consumidor Australiana, a Snapper® não será responsável sob esta Garantia ao Cliente, ou qualquer outra pessoa no âmbito desta Garantia, por danos consequentes, diretos ou indiretos, perdas ou custos incorridos ou sofridos pelo Cliente ou qualquer outra pessoa; ou por qualquer dano à propriedade, perda de volume de negócios, perda de lucros, perda de negócios ou perda de goodwill, decorrente da falha de qualquer produto em operar corretamente. Para aceder ao serviço de garantia, contacte o revendedor de serviços autorizado mais próximo indicado no nosso mapa de localizador de revendedor em BRIGGSandSTRATTON.COM, ou ligue para 1300 274 447, ou envie um e-mail para salesenquires@briggsandstratton.com.au ou escreva para Briggs & Stratton Australia Pty Ltd, 3 Imperata Pl, Kemps Creek, NSW, Austrália, 2178.

O período de garantia começa na data da aquisição do primeiro consumidor final ou comercial. “Uso privado” significa a utilização doméstica e pessoal do agregado familiar por um consumidor final. “Uso comercial” refere-se a todas as outras utilizações incluindo as utilizações com objetivos comerciais, de produzir rendimento ou de alugar. Logo que um produto tenha uma utilização comercial, deve a partir desse momento ser considerado como sendo um produto de utilização comercial ao abrigo desta garantia.

Para garantir a cobertura de garantia imediata e completa, registe o produto online em [www.onlineproductregistration.com](http://www.onlineproductregistration.com).

Guarde o recibo da compra como comprovativo. Se não fornecer o comprovativo da data de aquisição inicial no momento em que é pedida a assistência de garantia será utilizada a data de fabrico do produto para determinar o período de garantia. O registo do produto não é necessário para obter o serviço de garantia em produtos de marca Briggs & Stratton.

## Sobre a sua garantia

Snapper® A assistência da garantia encontra-se disponível unicamente através dos Concessionários de assistência

autorizados. Esta garantia cobre apenas os defeitos nos materiais ou relacionados com a mão-de-obra. Não são abrangidos os danos resultantes da utilização incorreta ou abusiva, de manutenção ou reparações incorretas, do desgaste normal ou da utilização de combustível não aprovado ou usado.

**Utilização Incorreta e Abusiva** - O uso adequado e pretendido deste produto está descrito no Manual do operador. Usar o produto numa forma não descrita no Manual do operador ou usar o produto depois deste ter sido danificado não estará a coberto desta garantia. A cobertura de garantia também não será fornecida se o número de série do produto tiver sido removido ou se o produto tiver sido alterado ou modificado de qualquer forma, ou se o produto tiver evidências de abuso tal como danos de choque, ou danos de corrosão por água/química.

**Manutenção ou Reparação Indevida** - Este produto deve ser mantido de acordo com os procedimentos e programas fornecidos no Manual do Operador, e mantido ou reparado usando peças Briggs & Stratton® genuínas ou equivalentes. Danos causados por falta de manutenção ou pela utilização de peças não originais não estão cobertos pela garantia.

**Uso e Desgaste Normal** - Como a maior parte dos dispositivos mecânicos, a sua unidade está sujeita a desgaste mesmo se for mantida corretamente. Esta garantia não cobre reparações quando a utilização normal esgotou o tempo de vida de uma peça ou do equipamento. Itens de manutenção e de utilização como filtros, correias, lâminas cortantes, e placas de travão (exceto placas de travão do motor) não são cobertos pela garantia devido apenas a desgaste, a menos que a causa se deva a defeitos no material ou relacionados com mão-de-obra.

**Combustível Velho ou não Aprovado** - Para funcionar corretamente, este produto precisa de combustível novo em conformidade com o critério especificado no Manual do operador. Danos no motor ou no equipamento causados por combustível fora do prazo ou pelo uso de combustíveis não aprovados (tal como misturas de etanol E15 ou E85) não estão cobertos pela garantia.

**Outras Exclusões** - Esta garantia exclui danos devidos a acidente, abuso, modificações, alterações, assistência indevida, congelamento ou deterioração química. Ligações ou acessórios que não foram embalados originalmente com o produto também estão excluídos. Não há uma cobertura de garantia para o equipamento usado para energia primária em vez da rede eléctrica ou em equipamento usado em aplicações de suporte de vida. Esta garantia não inclui equipamento ou motores usados, recuperados, em segunda-mão ou de demonstração. Esta garantia também exclui falhas por motivos de causa maior e outros eventos de força maior que ultrapassem o controlo do fabricante.

80015795 Revision A



# Tack

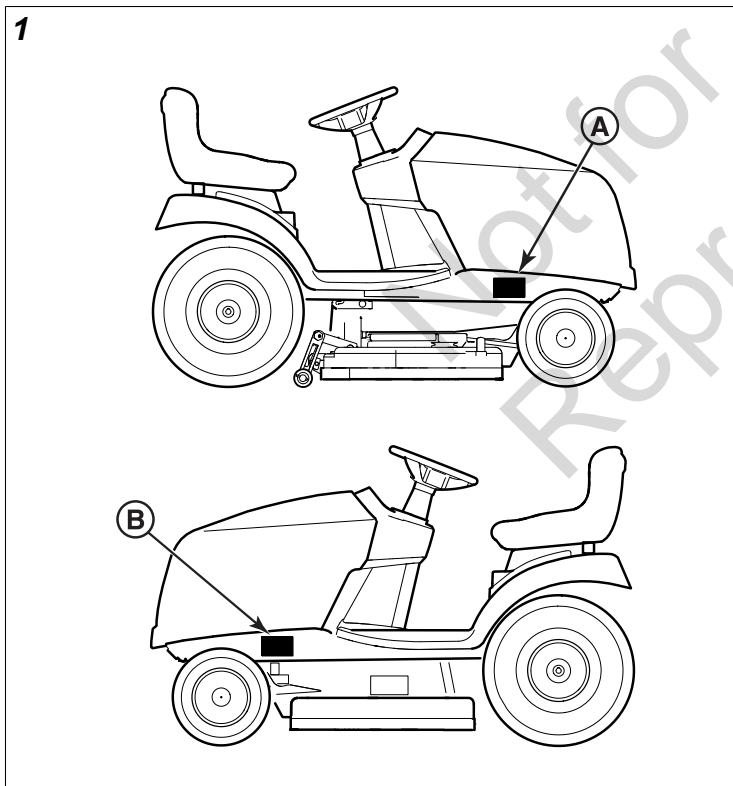
Tack Snapper® för ditt köp av denna högkvalitetsprodukt. Det gläder oss att du visar förtroende för varumärket Snapper®. Om den används och underhålls i enlighet med manualer, kommer denna produkt att ge många år av pålitlig service.

Bruksanvisningen innehåller säkerhetsinformation för att du ska vara medveten om vilka faror och risker som är förknippade med maskinen och hur du undviker dem. Produkten har utformats för användning enligt bruksanvisningen, och är inte avsedd för något annat ändamål. Det är viktigt att du läser och förstår instruktionerna i bruksanvisningen noga innan du försöker starta, använda eller serva utrustningen. **Spara denna originalbruksanvisning för framtida referens.**

Denna produkt skall slutmonteras enligt monteringsanvisningarna. Var noga med att följa anvisningarna helt före användning. Om du behöver hjälp med montering, drift eller underhåll av produkten, kontakta din lokala auktoriserade serviceverkstad eller gå in på [snapper.eu](http://snapper.eu).

## Identitetsskylt

Leta reda på produktidentifieringsskylten (A) se figur 1.



Anteckna dina modellidentifikationsnummer och serienummer i utrymmet för enkelt ha dem till hands.

Produktmodellnummer:	
Produktserienummer:	
Motormodell – typnummer:	
Motorns kod/serienummer:	
Inköpsdatum:	

Inköpsort:	
------------	--

När du kontaktar återförsäljaren för reservdelar, service eller information MÅSTE du ha dessa uppgifter tillgängliga.

Den illustrerade reservdelslistan för maskinen kan laddas ner från [snapper.eu](http://snapper.eu). Uppge modellnummer och serienummer vid beställning av reservdelar.

## Osäkerhet i vibrationsmätning

**Osäkerhet vid vibrationsmätning** – maskinvibration registrerades med hjälp av metoder och procedurer som finns angivna i vederbörliga internationella standarder som gällde vid tillverkningstillfället. Osäkerheterna som beror på mätningen kan orsaka en variation i resultatet på upp till 5 % från det publicerade värdet enligt Försäkringen om överensstämmelse.

## Garanti

### Garanti

#### BEGRÄNSAD GARANTI

Briggs & Stratton garanterar att, under garantiperioden som specificeras härunder, utan kostnad kommer att reparera eller byta ut delar med materialfel och/eller tillverkningsfel. Köparen står själv för transportkostnaden för produkt som lämnats in för reparation eller utbyte. Garantin gäller under nedan angivna perioder och enligt nedan angivna villkor. För garantiservice hittar du närmaste auktoriserade serviceverkstad på vår karta Hitta återförsäljare på [snapper.eu](http://snapper.eu).

Köparen måste kontakta den auktoriserade servicehandlare och sedan göra produkten tillgänglig för den auktoriserade serviceverkstaden för inspektion och test.

**Det finns ingen annan uttrycklig garanti. Underförstådda garantier, inklusive av säljbarhet och lämplighet för visst ändamål, begränsas till nedan angiven garantiperiod eller till den omfattning som lagen tillåter. Ansvarsgaranti vid uppkommande skador och följdskador exkluderas i den grad det är tillåtet enligt lag.** Vissa länder eller delstater medger inte begränsning av giltighetstiden för underförstådda garantier och vissa tillåter inte undantag från eller begränsning av ansvaret för följdskador, varför undantag från ovanstående kan gälla för vissa köpare. Denna garanti ger dig specifika juridiska rättigheter men du kan även ha andra rättigheter beroende på delstat eller land.\*\*

## Garantitid

Artikel	Privat bruk	Kommersiell användning
Utrustning	36 månader	3 månader
Motor*	36 månader	12 månader
Batteri (i förekommande fall)	12 månader	12 månader

\* Gäller endast motorer från Briggs Stratton®. Garantitäckning för motorer som inte är Briggs & Stratton tillhandahålles av

motortillverkaren. Utsläppsrelaterade komponenter omfattas av meddelandet om utsläppsgaranti.

\*\* I Australien gäller följande, utan hinder av andra bestämmelser: Våra produkter omfattas av garantier som inte kan uteslutas enligt australiensisk konsumentlagstiftning. Du har rätt till en ersättning eller återbetalning vid ett betydande fel och till kompensation vid annan rimlig förutsebar förlust eller skada. Du har även rätt till att få varorna reparerade eller utbyta om varorna inte är av acceptabel kvalitet och felet inte uppgår till ett betydande fel. Om det inte krävs enligt australiensisk konsumentlagstiftning så ska Snapper® under denna garanti inte hållas ansvarig gentemot kunden eller någon annan person i samband med denna garanti, för följdskador, direkta eller indirekta skador, förluster eller kostnader som uppkommit eller drabbat kunden eller någon annan person, eller någon skada på egendom, förlorad omsättning, förlorad vinst, förlorade affärer eller förlorad goodwill, som orsakats av att någon produkt inte fungerar korrekt. För garantiservice, kontakta närmaste auktoriserade serviceverkstad på vår karta Hitta återförsäljare på BRIGGSandSTRATTON.COM eller genom att ringa +61 1300 274 447, eller skicka e-post eller brev till salesenquiries@briggsandstratton.com.au, Briggs & Stratton Australia Pty Ltd, 3 Imperata Pl, Kemps Creek, NSW, Australien, 2178.

Garantitiden börjar den dag då produkten för första gången köps av en återförsäljare eller kommersiell köpare. "Privat bruk" avser personligt bruk i hemmet av privatperson. "Kommersiellt bruk" avser allt annat bruk, inklusive yrkesmässigt bruk, användning i näringsverksamhet eller uthyrning. Då produkten en gång har tagits i kommersiellt bruk betraktas den fortsättningsvis som för kommersiellt bruk vad gäller garanti.

Registrera din produkt online på [onlineproductregistration.com](http://onlineproductregistration.com) för att säkerställa snabb och fullständig garantihantering.

Spara ditt inköpskvitto. Om inköpskvittot inte kan uppvisas vid yrkan på garantiservice, kommer produktens tillverkningsdatum att användas för att bestämma garantiperioden. Produktregistrering krävs inte för att få garantiservice på Briggs & Strattons produkter.

## Angående din garanti

Garantiservice utförs endast av Snapper® auktoriserade verkstäder. Denna garanti täcker endast material- och/eller tillverkningsfel. Den täcker inte skador orsakade av felaktig användning eller missbruk, undermåligt underhåll eller reparation, normalt slitage eller ej godkänt bränsle.

**Felaktig användning och missbruk** – Beskrivning av korrekt användning av produkten finns i bruksanvisningen. Att använda produkten på annat sätt än vad som beskrivs i användarhandbok eller använda produkten efter att den skadats, kommer inte att täckas av garantin. Garantin gäller heller inte om produktens serienummer har avlägsnats eller produkten har modifierats på något sätt eller bevisligen har missbrukats t.ex. slag eller vatten/kemiska korrosionsskador.

**Felaktigt underhåll eller felaktig reparation** – Produkten måste underhållas enligt de procedurer och scheman som finns i bruksanvisningen och servas eller repareras med originaldelar från Briggs & Stratton® eller motsvarande. Garantin gäller inte för skador på grund av uteblivet underhåll eller användning av andra delar än originaldelar.

**Normal förslitning** – I likhet med de flesta mekaniska utrustningar, utsätts produkten för slitage även vid korrekt underhåll. Garantin omfattar inte reparation på grund av förslitning av delar till följd av normal användning. Garantin gäller inte för underhålls- och slitedelar som filter, remmar, skär och bromsbelägg (bortsett från motorns bromsbelägg) endast på grund av slitageegenskaperna, såvida inte felorsaken är material- eller tillverkningsfel.

**Gammalt eller icke-godkänt bränsle** – För att produkten ska fungera korrekt krävs färskt bränsle som uppfyller kraven som anges i bruksanvisningen. Motor eller utrustningsskada som orsakas av gammalt eller ej godkänt bränsle (exempelvis etanolblandningarna E15 eller E85) täcks inte av garantin.

**Andra undantag** – Garantin gäller inte för skador på grund av olycka, missbruk, ändringar, omarbetningar, felaktig service, frysning eller kemisk nedbrytning. Garantin gäller heller inte för delar eller tillbehör som inte är förpackade i produktens originalförpackning. Det finns ingen garantitäckning för utrustning som används för primär ström istället för anläggningsström eller för utrustning som används till livräddning. Garantin gäller inte för utrustning eller motorer som är använda, rekonditionerade, begagnade, eller demonstrationsobjekt. Garantin gäller inte för skador eller fel på grund av force majeure eller andra händelser utom tillverkarens kontroll.

80015795 Revision A

Not for  
Reproduction