



PUMP PARTS LIST AND MAINTENANCE RECOMMENDATIONS

For longest lasting service, follow the instructions given in the Preventative Maintenance Check-List below.

IMPORTANT: Use 0.55 liter (18.6 ounces) of CAT Pumps 6107 multi-viscosity oil. Oil alternatives include Mobil DTE16, Texaco Rondo 1660-HD150, Amoco Rykon-68, Shell Tellus T-68, and Exxon Univis-68.

Check Oil Level

- Place the pressure washer on a level surface.
- While pump and oil is cold, observe oil level visible in pump's oil sight gauge.
- If necessary, slowly add the recommended oil through the pump's oil filler opening until oil level reaches top of "MAX. OIL LEVEL" line. **Do Not** overfill!

Oil Change Procedure

- Place the pressure washer on an outside level surface.
- Using procedures given in the Owner's Manual, start and run the pressure washer for at least 5 minutes.

- Turn off the pressure washer and disconnect the spark plug wire from the spark plug.
- Place a suitable container under the crankcase cover end of the pump.
- Remove the domed oil filler cap and o-ring (Items 32 and 33 on the pump exploded view).
- Remove the oil drain plug (Items 48 and 49 on the pump exploded view) and let the oil drain out completely.
- Replace oil drain plug and tighten securely (50 in-lbs max. torque).
- Use a funnel to add the recommended amount and type of pump oil.
- Replace the domed oil filler cap and o-ring. Tighten finger-tight.
- Reconnect the spark plug wire to the spark plug.
- Take the used oil to an oil recycling center.

The unit is now ready for service.

Pump Replacement Parts

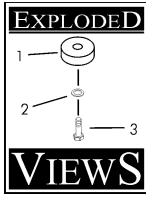
Exploded views for the pump and the unloader are found on the next two pages. A complete parts list is given on page 4. Contact your Generac service center for assistance in obtaining replacement parts or for any operational questions.

PREVENTATIVE MAINTENANCE CHECK LIST

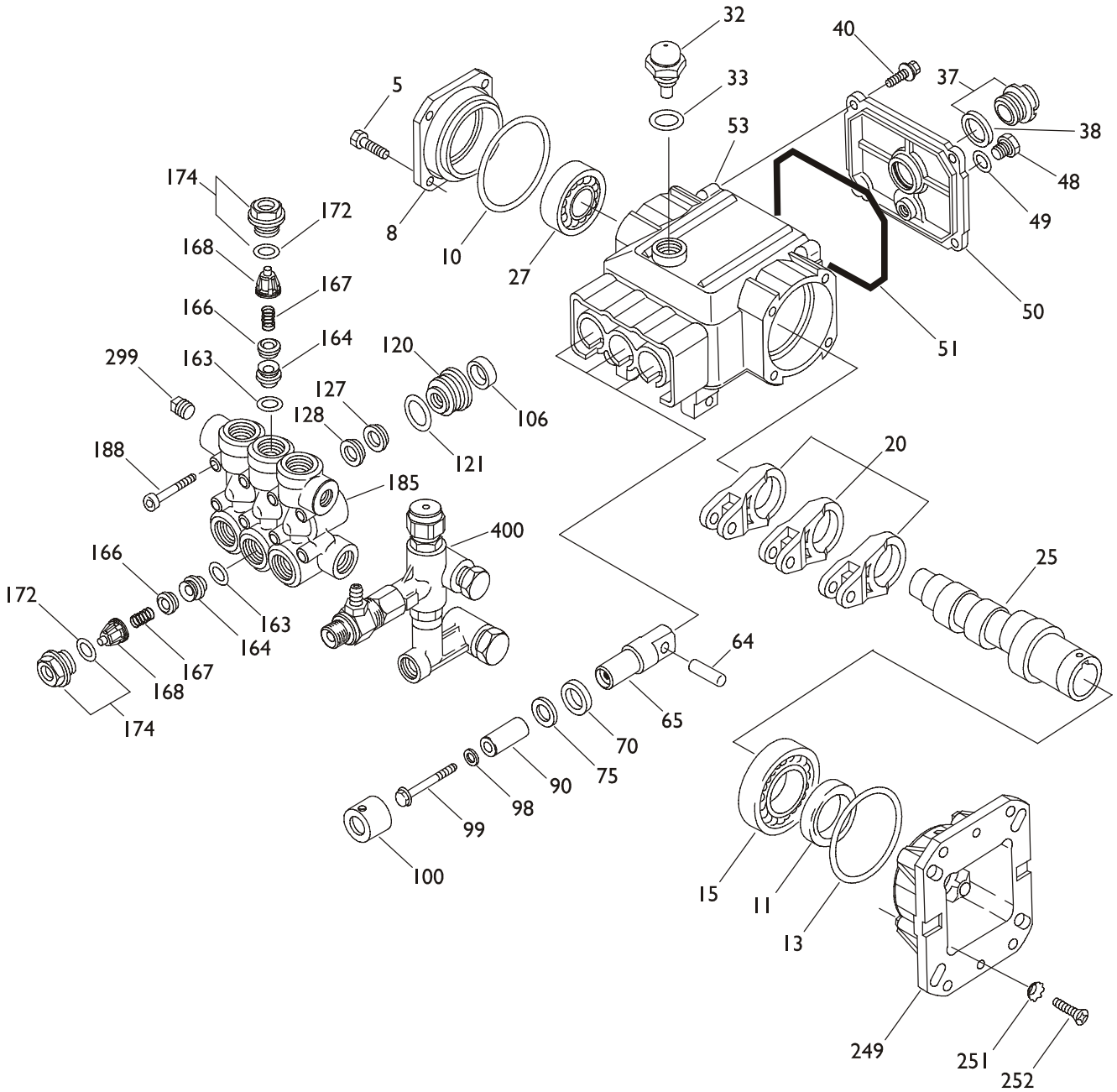
Follow the daily, hourly or calendar intervals, whichever occurs first.

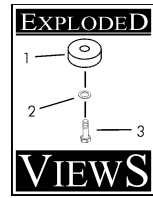
Maintenance Item:	Daily	50 hours	500 hours	1,500 hours	3,000 hours
Clean Inlet Water Filter	X				
Check Oil Level/Quantity	X				
Check for Oil Leaks	X				
Check for Water Leaks	X				
Break-in Oil Change		X			
*Routine Oil Change			X		
**Seal Change				X	
Valve Change					X
Check Accessories				X	

- * If other than CAT Pump Model 6107 oil is used, change cycle should be every 300 hours.
- ** Each system's maintenance cycle will be exclusive. If system performance decreases, check immediately. If no wear at 1500 hours, check again at 2000 hours and each 500 hours until wear is observed. Valves typically require changing every other seal change. Duty cycle, temperature, quality of pumped liquid and inlet feed conditions all affect the life of pump wear parts and service cycle.
- ** Remember to service the unloader at each seal servicing and check all system accessories and connections before resuming operation. Contact Generac Service Center if questions arise.

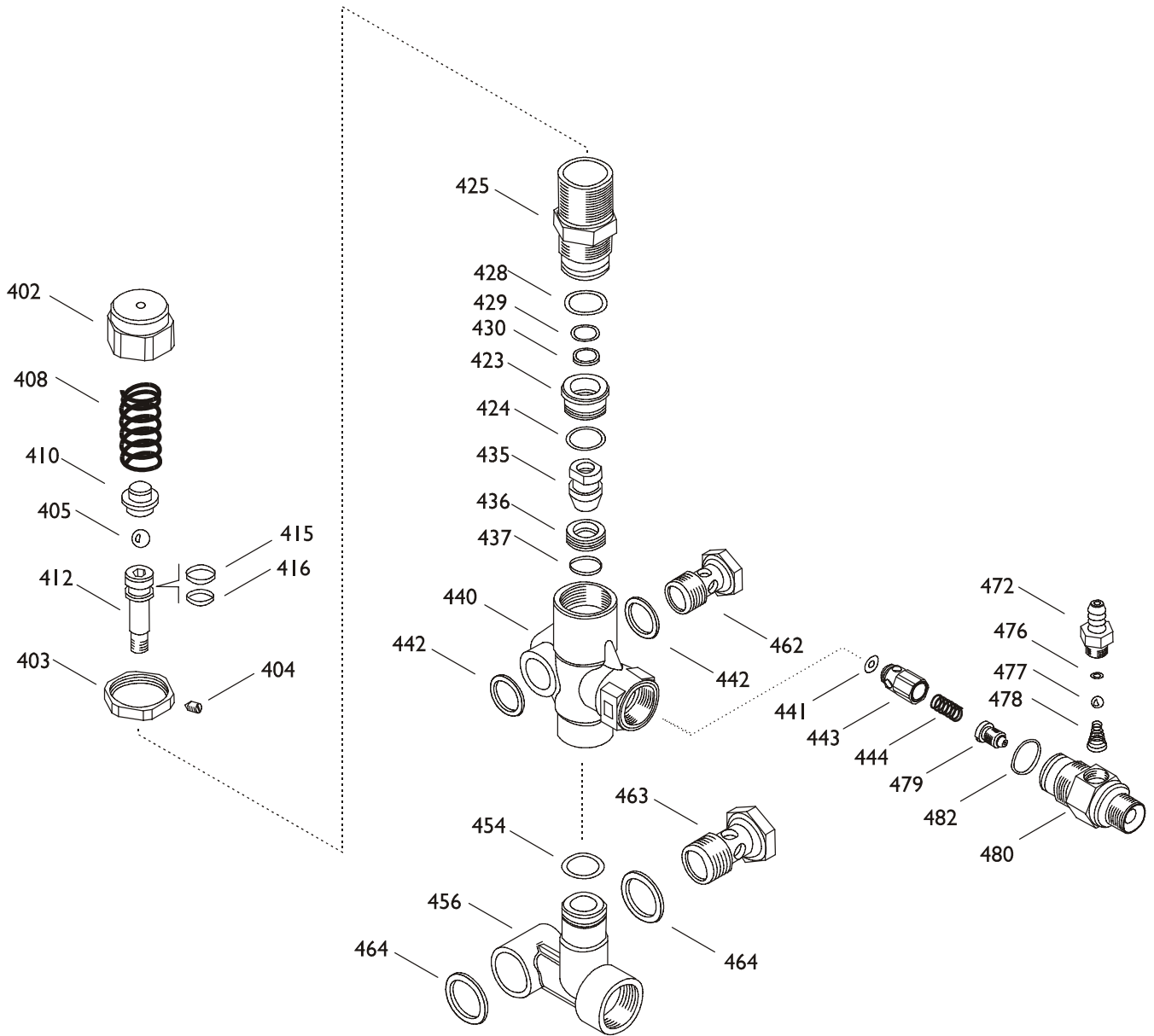


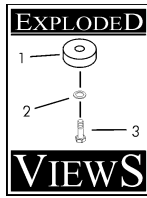
EXPLODED VIEW - PUMP





EXPLODED VIEW - UNLOADER





PARTS LIST - PUMP AND UNLOADER

Item	Part #	Qty	Description	Item	Part #	Qty	Description
5	188106	4	Screw (M8x20)	403	188163	1	Nut, Locking (M27x1)
8	188109	1	Cover, Bearing	404	188164	1	Screw (M4x4)
10	188110	1	O-Ring, Bearing Cover	405	188165	1	Ball (1 1/32")
11	188111	1	Seal, Oil, Crankshaft	408	188166	1	Spring
13	188112	1	O-Ring, Bearing Cover	410	188167	1	Retainer, Spring
15	188113	1	Bearing, Ball - Inner	412	188168	1	Stem, Piston
20	188114	3	Rod, Connecting	415	188169	1	Back-up-Ring, Piston Stem
25	188115	1	Crankshaft (11.4mm)	416	188170	1	O-Ring, Piston Stem
27	188116	1	Bearing, Ball - Outer	423	188171	1	Spacer
32	188117	1	Domed, Oil Filler	424	188172	1	O-Ring, Spacer
33	188118	1	O-Ring, Filler Cap - 70D	425	--	1	*Retainer, Piston
37	188119	1	Gauge, Oil Sight w/Gasket	428	188174	1	O-Ring, Retainer
38	188120	1	Gasket, Flat, Oil Gauge - 80D	429	188175	1	O-Ring, Piston Stem
40	188121	4	Screw, Sems (M6x16)	430	188176	1	Back-up-Ring, Piston Stem
48	188122	1	Plug, Drain (1/4"x19BSP)	435	188177	1	Valve/Ball Assembly (M8)
49	188123	1	O-Ring, Drain Plug - 70D	436	188178	1	Seat
50	188124	1	Cover, Crankcase	437	188179	1	O-Ring, Seat
51	188126	1	O-Ring, Crankcase Cover	440	--	1	*Valve Body
53	188125	1	Crankcase	441	188181	1	O-Ring, Check Valve
64	188127	3	Pin, Crosshead	442	188182	2	Washer, Seal (3/8")
65	188129	3	Rod, Plunger	443	188183	1	Valve, Check
70	188132	3	Seal, Oil, Crankcase	444	188184	1	Spring
75	188131	3	Slinger, Barrier	454	188185	1	O-Ring, Manifold
90	188133	3	Plunger (M14x47)	456	--	1	*Manifold
98	188138	3	Washer Seal, Plunger Retainer	462	188187	1	Screw, Flow-thru (3/8" NPTF)
99	188139	3	Retainer, Plunger	463	188188	1	Screw, Flow-thru (1/2" NPTF)
100	188140	3	Retainer, Seal	464	188189	2	Washer, Seal (1/2")
106	188141	3	Seal, LPS w/S-Spg	472	188190	1	Barb, Fixed
120	188142	3	Case, Seal	476	188191	1	O-Ring, Retainer
121	188144	3	O-Ring, Seal Case	477	188192	1	Ball (1/4")
127	188146	3	V-Packing	478	188193	1	Spring
128	188147	3	Adapter, Male	479	188195	1	Injector Orifice (2.1 mm)
163	188149	6	O-Ring, Seat - 85D	480	--	1	*Body, Unloader Mount
164	188150	6	Seat	482	188197	1	O-Ring
166	188152	6	Valve				* Only available as a part of the complete assembly (Item 400)
167	188153	6	Spring				
168	188154	6	Retainer, Spring				
172	188155	6	O-Ring, Valve Plug - 80D	Oil, Service Kits:			
174	188156	6	Plug, Valve w/O-Ring	188212	1	1	Oil, Bottle, CAT, 21 oz
185	188157	1	Manifold	188198	1	1	Kit, Seal (Includes: 98,106,121,127,128)
188	188158	8	Screw, HSH (M8x65)	188199	2	2	Kit, Valve (Includes: 163,164,166,167,168,172)
249	188159	1	Flange Mount	188200	1	1	Assembly, Fixed Barb (Includes: 472,476,477,478)
251	188160	4	Lockwasher, Conical (M8)	188201	1	1	Kit, O-Ring (Includes: 415,416,424,428,429,430,437,441,454)
252	188161	4	Screw, FH (M8x25)				
299	26925	1	Plug, 3/8" NPT				
400	187953	1	Unloader Assembly Complete w/Chemical Injector				
402	188162	1	Cap, Adjusting				