

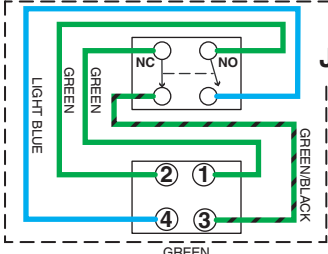
5107312FS / MAIN WIRE HARNESS - BRIGGS & STRATTON 61347 ENGINES

5107312B

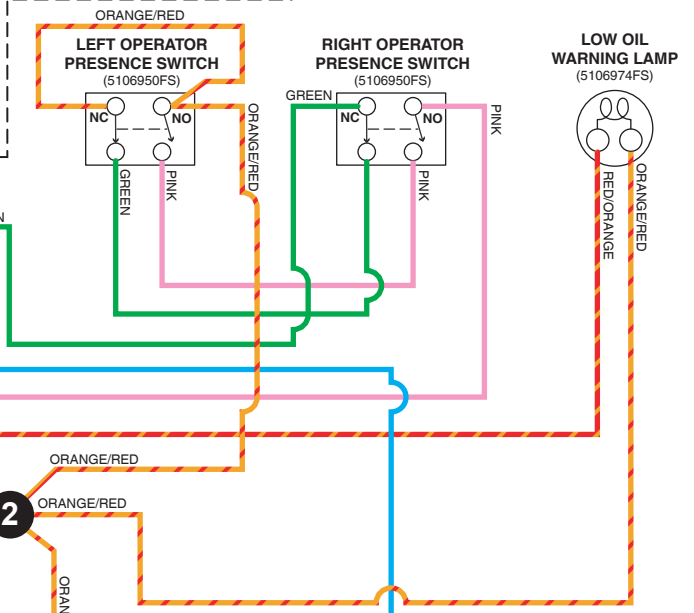
(If internal schematic of the switch is not shown, the image of the switch represents the back view of the connector as it is connected to the switch.)

IGNITION SWITCH		
POSITION	CONTACT 1	CONTACT 2
1. OFF	M+G+A1	N/A
2. RUN 1	B+A1	L+A2
3. RUN 3	B+A1	N/A
4. START	B+S+A1	N/A

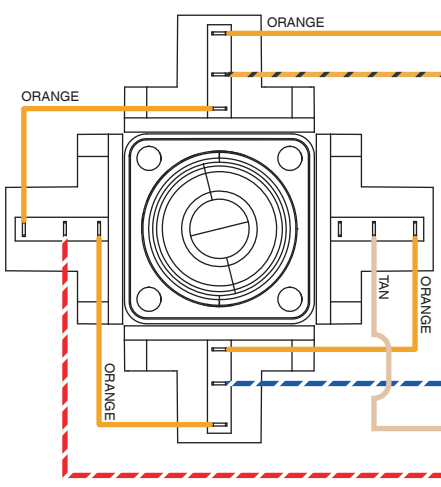
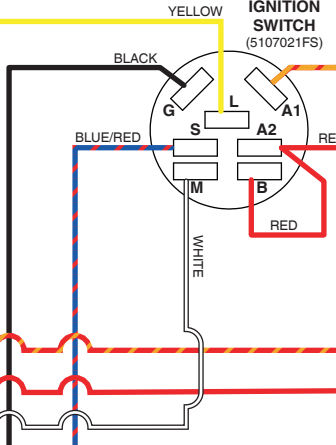
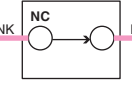
PARKING BRAKE SWITCH (84008626)



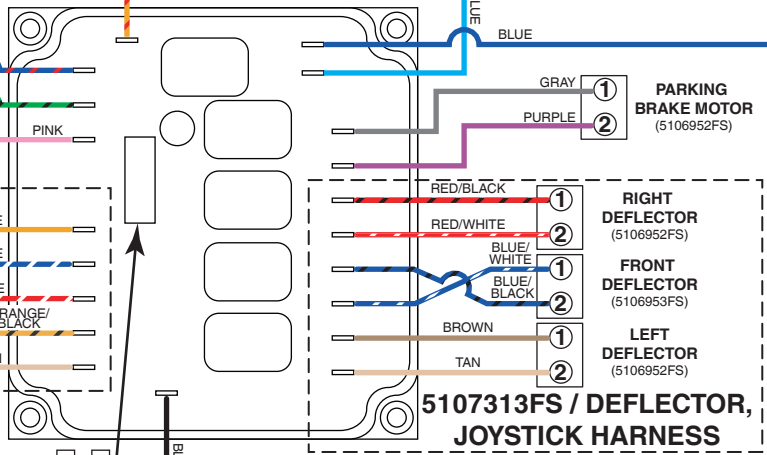
5110350 / BRAKE JUMPER HARNESS



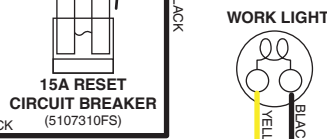
PARKING BRAKE (OFF) SWITCH (5021769)



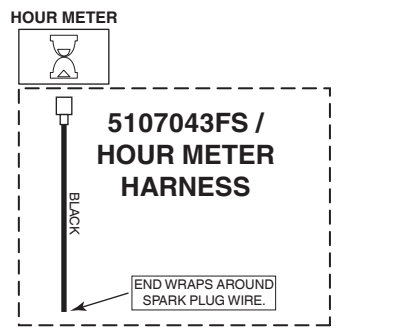
5108766FS / JOYSTICK HARNESS



5107313FS / DEFLECTOR, JOYSTICK HARNESS

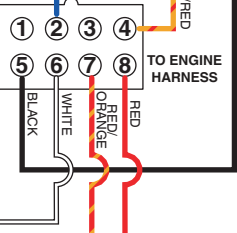
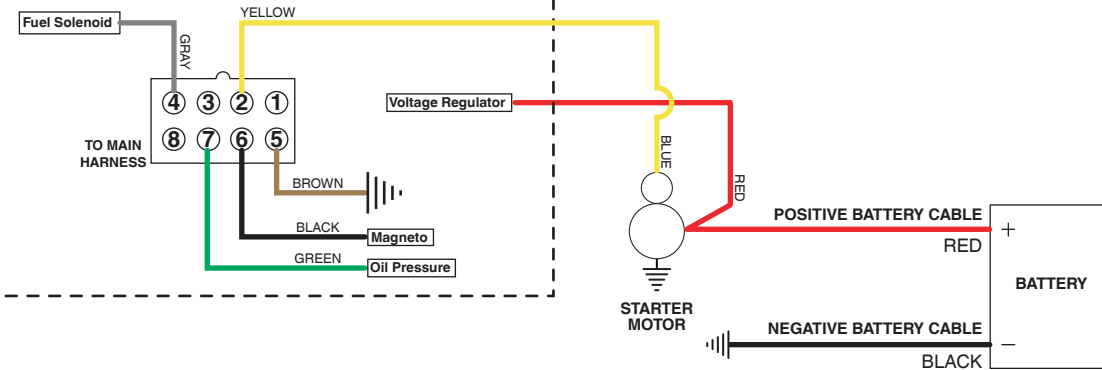


15A RESET CIRCUIT BREAKER (5107310FS)



5107043FS / HOUR METER HARNESS

BRIGGS & STRATTON ENGINE HARNESS



TO MAIN HARNESS

TO ENGINE HARNESS

STARTER MOTOR

POSITIVE BATTERY CABLE

NEGATIVE BATTERY CABLE

BATTERY