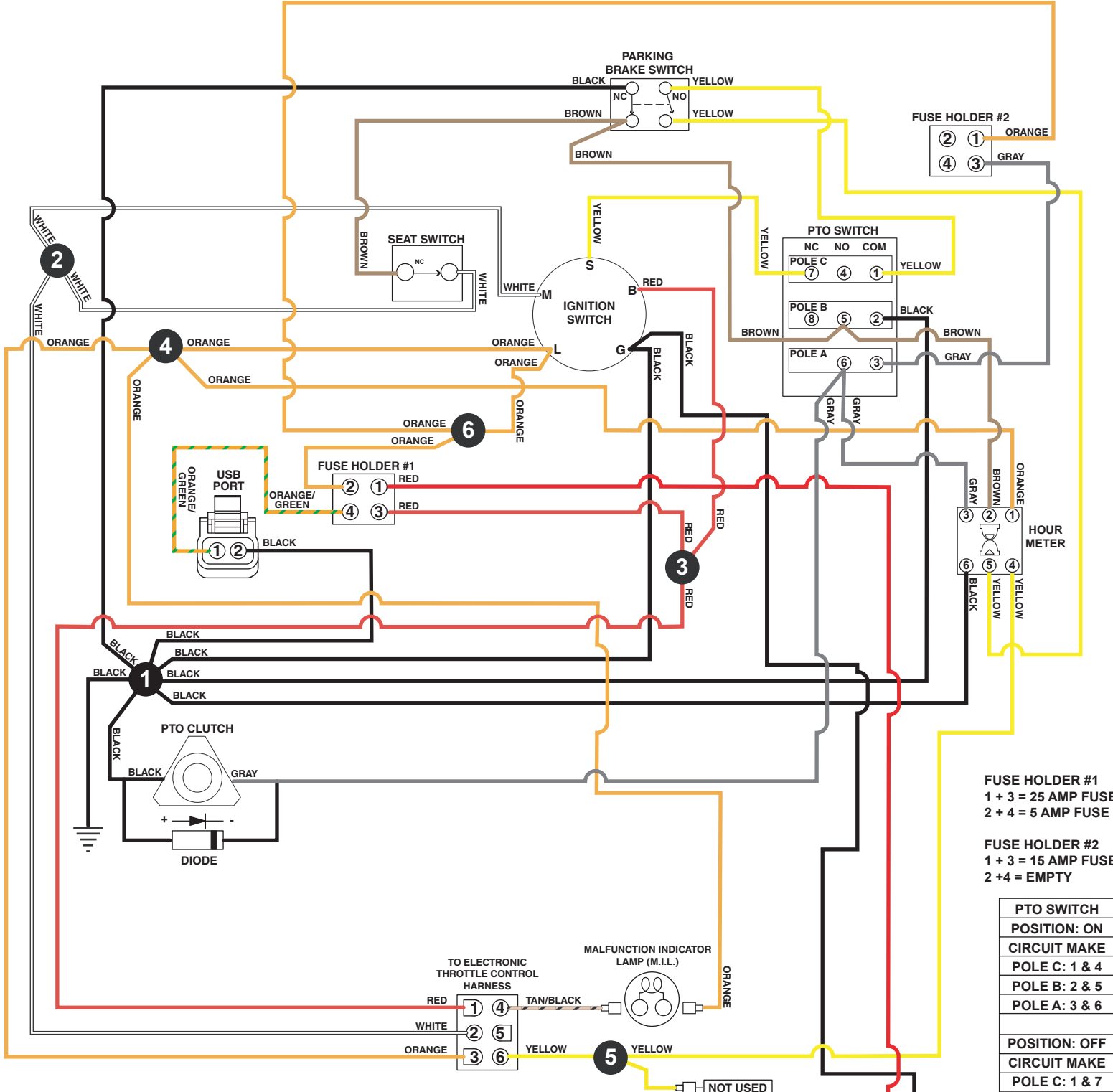


(If internal schematic of the switch is not shown, the image of the switch represents the back view of the connector as it is connected to the switch.)



84011447 / ELECTRONIC THROTTLE CONTROL HARNESS

